

OVERVIEW

The EP7312 Development Kit provides the total system solution for developing and testing a very fast and highly integrated ARM system-on-chip solution. The EP7312 allows for market specific microprocessor-based decoding of a wide variety of digital audio compression standards such as MP3, AAC, Audible, and Microsoft® Windows® Media Technologies 4.0, ADPCM, etc.

The EP7312 Development Kit is a cost-effective platform that enables designers to rapidly bring hand-held information appliances, digital audio players, and network interface devices to market. It is easy to set up and includes tools required for developing and testing a highly integrated EP73xx-based system.

DEVELOPMENT BOARD SPECIFICATIONS

- EP7312 processor with dynamically controllable clock speeds of 18, 36, 49, and 74 MHz
- Color LCD Display with touchscreen
- 16-MB Intel StrataFLASH
- 16-MB SDRAM
- 32-MB NAND FLASH for encoded audio data storage
- 16-Bit IDE Interface
- Enhanced Digital Audio Interface with 16-bit stereo D/A and A/D
- Socket for SmartMedia™ card for additional NAND FLASH
- Cirrus Logic® CS8900A Ethernet Controller
- Full JTAG scan and EmbeddedICE™ support for debugging
- Built-in Macraigor® Wiggler™ Interface for JTAG debugging via the parallel port
- Two serial ports
- USB device interface (compliant with USB Specification Rev 1.1)
- IrDA®
- PS/2 Keyboard/Mouse Controller
- Parallel I/O Interface

KIT CONTENTS

Hardware

- EP7312 development board
- Color LCD 320 x 240 with integrated touch panel
- USB, Ethernet, Parallel and Serial cables
- Durable Aluminum Enclosure
- Board schematics in OrCad® 7.2 and PDF formats
- Documentation on CD-ROM
- 6 month warranty *See Hardware User's Manual for details



SOFTWARE

- MULTI 2000® leading embedded Software Toolkit from Green Hills™ Software, Inc. v 3.0 (30-day evaluation version) Requires Windows® 98 / Windows NT®
- ARM® Software Development Toolkit v2.5 (60-day evaluation version) Requires Windows® 95 / Windows® 98 / Windows NT®

OPTIONAL THIRD PARTY SUPPORT AND PARTNERS

Development Tools

- GNU™ Toolset from Red Hat®, Inc. (formerly Cygnus®)
- Hawk™ from Microware®

Operating Systems

- BlueCat Linux® from Lynuxworks®
- Dadio® from I-Objects®
- ThreadX® from Express Logic®, Inc.
- Nucleus Plus™ from Accelerated Technology®, Inc.
- OS-9® from Microware®, Inc.

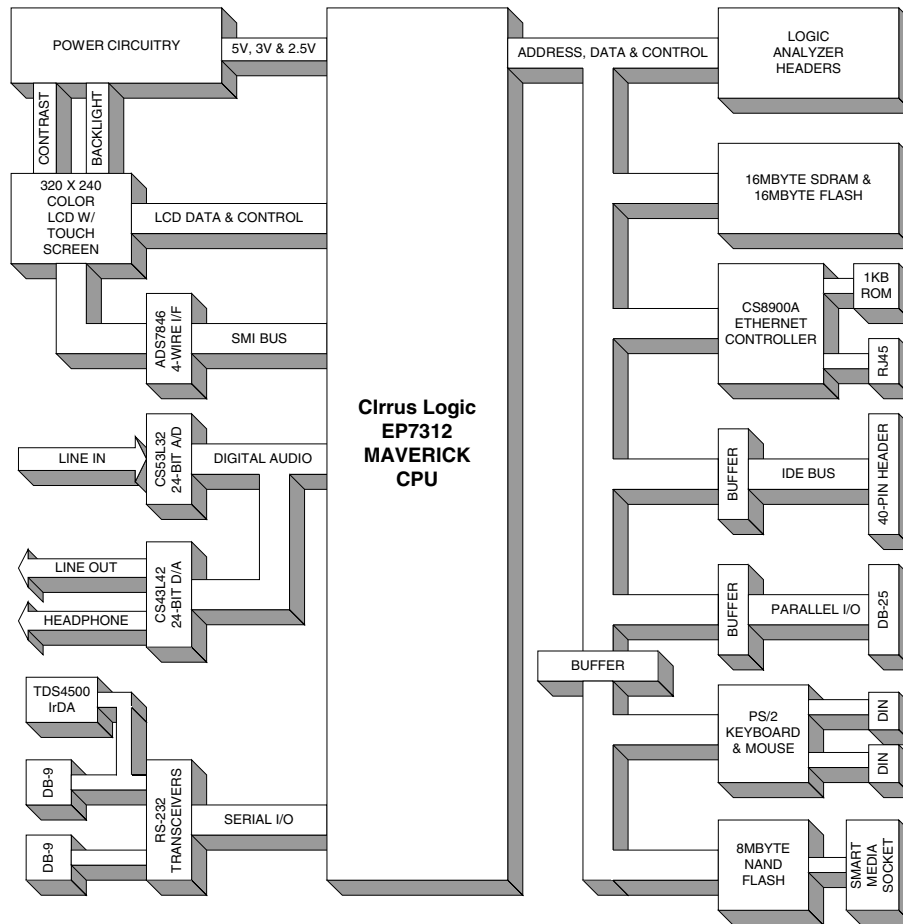
Debuggers/Emulators

- JEENI™ by Embedded Performance, Inc.
- ARM® Multi-ICE™
- Wiggler™ by Macraigor®

ORDERING INFORMATION

- EDB7312: Development Kit with color STN LCD on board.
 EDK7312-LW: EDB7312 with Lynuxworks' BlueCat Linux Tools and software for Windows host (free 30 day BlueCat support from Lynuxworks).
 EDK7312-LL: EDB7312 with Lynuxworks' BlueCat Linux Tools and software for Linux host (free 30 day BlueCat support from Lynuxworks).

* BlueCat available separately through Lynuxworks only.



Cirrus Logic EDB7312 Board Diagram

Contacting Cirrus Logic Support

For a complete listing of Direct Sales, Distributor, and Sales Representative contacts, visit the Cirrus Logic web site at: <http://www.cirrus.com/corporate/contacts/sales.cfm>



Cirrus Logic Inc. (Nasdaq: CRUS) is a premier supplier of precision linear circuits and advanced mixed-signal chip solutions. The company's products, sold under its own name and the Crystal® product brand, enable system-level applications in mass storage, audio, and precision data conversion.

With more than 900 patents (issued and pending), Cirrus Logic's inventions are substantive, and the company continues to expand its rich intellectual property portfolio through major R&D investments. Nearly half of the company's patents involve mixed-signal technology, which is key to innovating highly integrated system-on-chip solutions. Over the past decade, Cirrus Logic has achieved 70 plus industry firsts with its product introductions. Many of these innovations have set new industry standards within their respective markets.

Cirrus Logic operates from headquarters in Austin, Texas and major sites in Fremont, California and Broomfield, Colorado. Internationally, the company operates from offices in Europe, Japan, and Pacific Asia.

More information about Cirrus Logic and its products can be accessed at the company's world wide web site: www.cirrus.com.

Copyright © 2000 Cirrus Logic, Inc. All rights reserved. Printed in USA.

ARM is a registered trademark and EmbeddedICE and Multi-ICE are trademarks of ARM Limited. Windows, Windows 95, Windows 98, and Windows NT, and Microsoft are registered trademarks of Microsoft Corporation. MULTI is a registered trademark and Green Hills is a trademark of Green Hills Software, Inc., GNU, and eCos are trademarks and Cygnus and RED Hat are a registered trademarks of Red Hat, Inc. Wind River Systems and VxWorks are registered trademarks and Tomado is a trademark of Wind River Systems, Inc. Nucleus Plus is a trademark of Accelerated Technology, Inc. Linux is a registered trademark of Linus Torvalds. JEENI is a trademark of Embedded Performance, Inc. Hewlett-Packard is a registered trademark of Hewlett-Packard Company. IRDA is a registered trademark of the Infrared Data Association. SmartMedia is a trademark of Toshiba Corporation. OrCad is a registered trademark of OrCad, Inc.

Cirrus Logic, Inc. has made best efforts to ensure that the information contained in this document is accurate and reliable. However, the information is subject to change without notice and is provided 'AS IS' without warranty of any kind (express or implied). No responsibility is assumed by Cirrus Logic, Inc. for the use of this information, nor for infringements of patents or other rights of third parties. This document is the property of Cirrus Logic, Inc. and implies no license under patents, copyrights, trademarks, or trade secrets. No part of this publication may be copied, reproduced, stored in a retrieval system, or transmitted, in any form or by any means (electronic, mechanical, photographic, or otherwise) unless distributed in its entirety with all copyright notices attached. No part of this publication may be used as a basis for manufacture or sale of any items without the prior written consent of Cirrus Logic, Inc. The names of products of Cirrus Logic, Inc. or other vendors and suppliers appearing in this document may be trademarks or service marks of their respective owners which may be registered in some jurisdictions. A list of Cirrus Logic, Inc. trademarks and service marks can be found at <http://www.cirrus.com>.