



### ABSOLUTE MAXIMUM RATINGS

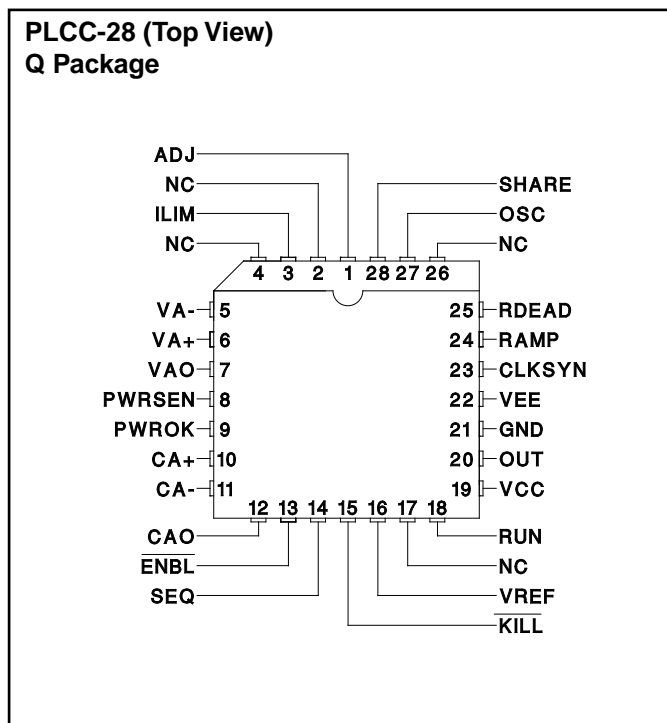
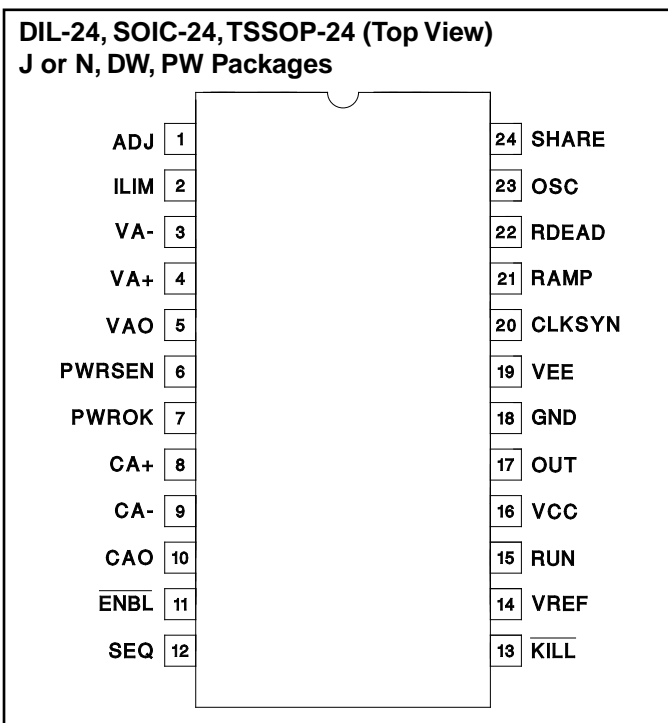
|   |                   |
|---|-------------------|
| Supply Voltage (VCC)                            | .....20V          |
| Output Current Source or Sink                   | .....0.3A         |
| Analog Input Voltages                           | .....-0.3V to 7V  |
| ILIM, KILL, SEQ, ENBL, RUN, PWRSEN, PWROK       | .....-0.3V to 7V  |
| CLKSYN Current Source                           | ......20mA        |
| RUN Current Sink                                | ......20mA        |
| SEQ Current Sink                                | ......20mA        |
| RDEAD Current Sink                              | ......20mA        |
| RAMP Current Sink                               | ......20mA        |
| Share Bus Voltage (voltage with respect to GND) | .....0V to 6.2V   |
| ADJ Voltage (voltage with respect to GND)       | .....0.9V to 6.3V |
| VEE (voltage with respect to GND)               | .....-1.5V        |

Storage Temperature .....-65°C to +150°C  
 Junction Temperature .....-65°C to +150°C  
 Lead Temperature (Soldering, 10 sec.) .....+300°C  
*All voltages with respect to VEE except where noted; all currents are positive into, negative out of the specified terminal.  
 Consult Packaging Section of Databook for thermal limitations and considerations of packages.*

### RECOMMENDED OPERATING CONDITIONS

|                            |                   |
|----------------------------|-------------------|
| Input Voltage              | ......8V to 20V   |
| Sink/Source Output Current | ......250mA       |
| Timing Resistor $R_T$      | .....1k to 200k   |
| Timing Capacitor $C_T$     | ......75pF to 2nF |

### CONNECTION DIAGRAMS



**ELECTRICAL CHARACTERISTICS** Unless otherwise stated these specifications apply for  $T_A = -55^\circ\text{C}$  to  $+125^\circ\text{C}$  for UC1826;  $-40^\circ\text{C}$  to  $+85^\circ\text{C}$  for UC2826; and  $0^\circ\text{C}$  to  $+70^\circ\text{C}$  for UC3826;  $V_{CC} = 12\text{V}$ ,  $V_{EE} = \text{GND}$ , Output no load,  $C_T = 345\text{pF}$ ,  $R_T = 4\text{k}\Omega$ ,  $R_{DEAD} = 1000\Omega$ ,  $C_{RAMP} = 345\text{pF}$ ,  $R_{RAMP} = 35.2\text{k}\Omega$ ,  $R_{CLKSYN} = 1\text{k}$ ,  $T_A = T_J$ .

| PARAMETER                      | TEST CONDITIONS  | MIN | TYP  | MAX | UNITS         |
|--------------------------------|--|-----|------|-----|---------------|
| <b>Current Error Amplifier</b> |  |     |      |     |               |
| $I_b$                          |  |     | 0.5  | 3   | $\mu\text{A}$ |
| $V_{io}$                       | $T_A = +25^\circ\text{C}$  |     | 0.75 | 3   | mV            |
|                                | Over Temperature   |     |      | 5   | mV            |
| $A_{vo}$                       |  | 60  | 90   |     | dB            |
| GBW (Note 2)                   | $A_{cl} = 10$ , $R_{in} = 1\text{k}$ , $CC = 15\text{pF}$ , $f = 200\text{kHz}$ (Note 1) | 45  | 70   |     | MHz           |
| $V_{ol}$                       | $I_o = 1\text{mA}$ , Voltage above VEE   |     | 0.5  |     | V             |
| $V_{oh}$                       | $I_o = 0\text{mA}$   |     | 3.8  |     | V             |
|                                | $I_o = -1\text{mA}$  |     | 3.5  |     | V             |
| <b>Voltage Error Amplifier</b> |  |     |      |     |               |
| $I_b$                          |  |     | 0.5  | 3   | $\mu\text{A}$ |
| $V_{io}$                       |  |     |      | 5   | mV            |
| $A_{vo}$                       |  | 60  | 90   |     | dB            |

**ELECTRICAL CHARACTERISTICS (cont.)** Unless otherwise stated these specifications apply for  $T_A = -55^\circ\text{C}$  to  $+125^\circ\text{C}$  for UC1826;  $-40^\circ\text{C}$  to  $+85^\circ\text{C}$  for UC2826; and  $0^\circ\text{C}$  to  $+70^\circ\text{C}$  for UC3826;  $V_{CC} = 12\text{V}$ ,  $V_{EE} = \text{GND}$ , Output no load,  $C_T = 345\text{pF}$ ,  $R_T = 4\text{k}\Omega$ ,  $R_{DEAD} = 1000\Omega$ ,  $C_{RAMP} = 345\text{pF}$ ,  $R_{RAMP} = 35.2\text{k}\Omega$ ,  $R_{CLKSYN} = 1\text{k}$ ,  $T_A = T_J$ .

| PARAMETER                               | TEST CONDITION  | MIN  | TYP  | MAX  | UNITS            |
|---|---|------|------|------|------------------|
| <b>Voltage Error Amplifier (cont.)</b>  |   |      |      |      |                  |
| GBW (Note 2)                            | $f = 200\text{kHz}$   |      | 7    |      | MHz              |
| $V_{ol}$                                | $I_o = 175\text{mA}$ , Volts above VEE  |      |      | 0.6  | V                |
| $V_{oh}$                                | $I_{LIM} = 3\text{V}$   | 2.85 | 3    | 3.15 | V                |
| $V_{oh}$ - $I_{LIM}$                    | Tested $I_{LIM} = 0.5\text{V}$ , $1.0\text{V}$ , $2.0\text{V}$                      | -100 |      | 100  | mV               |
| <b>2X Amplifier and Share Amplifier</b> |   |      |      |      |                  |
| V offset (b; $y = mx + b$ )             |   |      |      | 20   | mV               |
| GAIN (m; $y = mx + b$ )                 | Slope with $A_{VOUT} = 1\text{V}$ and $2\text{V}$                                   | 1.98 |      | 2.02 | V                |
| GBW (Note 2)                            |   |      | 100  |      | kHZ              |
| RSHARE                                  | $V_{CC} = 0$ , $V_{SHARE}/I_{SHARE}$  |      | 200  |      | $\text{k}\Omega$ |
| Total Offset                            | Negative supply is VEE, GND Open, $V_{AO} = \text{GND}$                             | -75  | 0    | 75   | mV               |
| $V_{ol}$                                | $V_{AO} = \text{Voltage Amp } V_{ol}$ , Volts above VEE                             | 0.2  | 0.45 | 0.6  | V                |
| $V_{oh}$                                | $I_o = 0\text{mA}$ , $I_{LIM} = 3\text{V}$ , $V_{AO} = \text{Voltage Amp } V_{oh}$  | 5.7  | 6    | 6.3  | V                |
|   | $I_o = -1\text{mA}$ , $I_{LIM} = 3\text{V}$ , $V_{AO} = \text{Voltage Amp } V_{oh}$ | 5.7  | 6    | 6.3  | V                |
| <b>Adjust Amplifier</b>                 |   |      |      |      |                  |
| $V_{io}$                                |   | 40   | 60   | 80   | mV               |
| gm                                      | $I_o = -2\mu\text{A}$ to $2\mu\text{A}$ , $C_{ADJ} = 0.1\mu\text{F}$                |      | -0.1 | -0.3 | mS               |
| $V_{ol}$                                | $I_{OUT} = 0$   | 0.9  | 1    | 1.1  | V                |
|   | $I_{OUT} = 2\mu\text{A}$  | 0.85 | 1    | 1.15 | V                |
| $V_{oh}$                                | $I_{OUT} = 0$ , $V_{SHARE} = 6.5\text{V}$   | 5.7  | 6    | 6.3  | V                |
|   | $I_{OUT} = -2\mu\text{A}$ , $V_{SHARE} = 6.5\text{V}$                               | 5.7  | 6    | 6.3  | V                |
| <b>Oscillator</b>                       |   |      |      |      |                  |
| Frequency                               |   | 450  | 500  | 550  | kHz              |
| Max Duty Cycle                          |   | 72   | 76   | 80   | %                |
| OSC Ramp Amplitude                      |   | 2    | 2.2  | 2.4  | V                |
| Ramp Saturation                         | $I_o = 10\text{mA}$ , $OSC = 0\text{V}$   |      | 0.44 | 0.8  | V                |
| <b>Clock Driver/SYNC (CLKSYN)</b>       |   |      |      |      |                  |
| $V_{ol}$                                |   |      | 0.02 | 0.2  | V                |
| $V_{oh}$                                |   |      | 3.6  |      | V                |
|   | $R_{CLKSYN} = 200\Omega$  |      | 3.5  |      | V                |
| $I_{SOURCE}$                            |   |      | 25   |      | mA               |
| $R_{CLKSYN}$                            | $V_{CC} = 0$ , $V_{CLKSYN}/I_{CLKSYN}$  |      | 10   |      | k                |
| $V_{TH}$                                |   |      | 1.5  |      | V                |
| <b>VREF Comparator</b>                  |   |      |      |      |                  |
| Turn-on Threshold                       |   |      | 4.65 |      | V                |
| Hysteresis                              |   |      | 0.4  |      | V                |
| <b>VCC Comparator</b>                   |   |      |      |      |                  |
| Turn-on Threshold                       |   | 7.9  | 8.4  | 8.9  | V                |
| Hysteresis                              |   |      | 0.4  |      | V                |
| <b>PWR Sense Comparator</b>             |   |      |      |      |                  |
| Voltage Threshold                       |   |      | 1.25 |      | V                |
| $V_{ol}$                                | $I_o = 1\text{mA}$  |      | 0.3  | 0.4  | V                |
| $V_{oh}$                                | $I_o = -100\mu\text{A}$   |      | 4    |      | V                |
| <b>KILL Comparator</b>                  |   |      |      |      |                  |
| Voltage Threshold                       |   |      | 3    |      | V                |

**ELECTRICAL CHARACTERISTICS (cont.)** Unless otherwise stated these specifications apply for  $T_A = -55^\circ\text{C}$  to  $+125^\circ\text{C}$  for UC1826;  $-40^\circ\text{C}$  to  $+85^\circ\text{C}$  for UC2826; and  $0^\circ\text{C}$  to  $+70^\circ\text{C}$  for UC3826;  $V_{CC} = 12\text{V}$ ,  $V_{EE} = \text{GND}$ , Output no load,  $C_T = 345\text{pF}$ ,  $R_T = 4\text{k}\Omega$ ,  $R_{DEAD} = 1000\Omega$ ,  $C_{RAMP} = 345\text{pF}$ ,  $R_{RAMP} = 35.2\text{k}\Omega$ ,  $R_{CLKSYN} = 1\text{k}$ ,  $T_A = T_J$ .

| PARAMETER                  | TEST CONDITION   | MIN  | TYP  | MAX  | UNITS |
|----------------------------|--|------|------|------|-------|
| <b>Sequence Comparator</b> |  |      |      |      |       |
| Voltage Threshold          |  |      | 2.5  |      | V     |
| SEQ SAT                    | $I_o = 10\text{mA}$  |      | 0.25 |      | V     |
| <b>Enable Comparator</b>   |  |      |      |      |       |
| Voltage Threshold          |  |      | 2.5  |      | V     |
| RUN SAT                    | $I_o = 10\text{mA}$  |      | 0.2  |      | V     |
| <b>Reference</b>           |  |      |      |      |       |
| VREF                       | $T_A = 25^\circ\text{C}$   | 4.95 | 5    | 5.05 | V     |
|                            | $V_{CC} = 15\text{V}$  | 4.9  |      | 5.1  | V     |
| Line Regulation            | $10 < V_{CC} < 20$   |      | 3    | 15   | mV    |
| Load Regulation            | $0 < I_o < 10\text{mA}$  |      | 3    | 15   | mV    |
| Short Circuit I            | $V_{REF} = 0\text{V}$  | 30   | 60   | 90   | mA    |
| <b>Output Stage</b>        |  |      |      |      |       |
| Rise Time                  | $C_L = 100\text{pF}$   |      | 10   | 20   | ns    |
| Fall Time                  | $C_L = 100\text{pF}$   |      | 10   | 20   | ns    |
| Voh                        | $V_{CC} > 11\text{V}$ , $I_o = -10\text{mA}$                             | 8.0  | 8.4  | 8.8  | V     |
|                            | $I_o = -200\text{mA}$  | 7.8  |      |      | V     |
| Vol                        | $I_o = 200\text{mA}$   |      |      | 3.0  | V     |
|                            | $I_o = 10\text{mA}$  |      |      | 0.5  | V     |
| <b>Virtual Ground</b>      |  |      |      |      |       |
| $V_{GND} - V_{EE}$         | $V_{EE}$ is externally supplied, GND is floating and used as Signal GND. | 0.2  | 0.75 |      | V     |
| <b>Icc</b>                 |  |      |      |      |       |
| Icc (run)                  |  |      | 21   | 30   | mA    |

Note 1: Guaranteed by design. Not 100% tested in production.

Note 2: Unless otherwise specified all voltages are with respect to GND. Currents are positive into, negative out of the specified terminal.

## PIN DESCRIPTIONS

**ADJ:** The output of the transconductance ( $g_m = -0.1\text{mS}$ ) amplifier adjusts the control voltage to maintain equal current sharing. The chip sensing the highest output current will have its output clamped to 1V. A resistor divider between VREF and ADJ drives the control voltage (VA+) for the voltage amplifier. Each slave unit's ADJ voltage increases (to a maximum of 6V) its control voltage (VA+) until its load current is equal to the master. The 60mV input offset on the  $g_m$  amplifier guarantees that the unit sensing the highest load current is chosen as the master. The 60mV offset is guaranteed by design to be greater than the inherent offset of the  $g_m$  amplifier and the buffer amplifier. While the 60mV offset represents an error in current sharing, the gain of the current and 2X amplifiers reduces it to only 30mV. The total current sense gain is

the current amplifier gain. This pin needs a  $0.1\mu\text{F}$  capacitor to compensate the amplifier.

**CA-, CA+:** The inverting and non-inverting inputs to the current error amplifier. This amplifier needs a capacitor between CA- and CAO to set its dominant pole.

**CAO:** The output of the current error amplifier which is internally clamped to 4V. It is internally connected to the inverting input of the PWM comparator.

**CLKSYN:** The clock and synchronization pin for the oscillator. This is a bidirectional pin that can be used to synchronize several chips to the fastest oscillator. Its input synchronization threshold is 1.4V. The CLKSYN voltage is 3.6V when the oscillator capacitor  $C_T$  is being discharged, otherwise it is 0V.

## PIN DESCRIPTIONS (cont.)

**ENBL:** The active low input with a 2.5V threshold enables the output to switch. SEQ and RUN are driven low when ENBL is above its 2.5V threshold.

**GND:** The signal ground used for the voltage sense amplifier, current error amplifier, current error amplifier, voltage reference, 2X amplifier, and share amplifier. The output sink transistor is wired directly to this pin.

**KILL:** The active low input with a 3.0V threshold stops the output from switching. Once this function is activated RUN must be cycled low by driving KILL above 3.0V and either resetting the power to the chip (VCC) or resetting the ENBL signal.

**ILIM:** A voltage on this pin programs the voltage error amplifier's Voh clamp. The voltage error amplifier output represents the average output current. The Voh clamp consequently limits the output current. If ILIM is tied to VREF, it defaults to 3.0V. A voltage less than 3.0V connected to ILIM clamps the voltage error amplifier at this voltage and consequently limits the maximum output current.

**OSC:** The oscillator ramp (not to be confused with PWM ramp) pin has a capacitor CT to ground and two resistors in series RT and RDEAD to VREF. The total resistance of RT and RDEAD divided by VREF – VOSC sets exponential charge current. The oscillator charges from 1.2V to 3.4V until the output transitions low. At this time an open collector transistor is turned on and discharges the CT capacitor through RDEAD.

The charge time is approximately  $T_{CHARGE} = 2(R_T + R_{DEAD}) \cdot C_T$  when the RDEAD resistor is used.

The dead time is approximately  $T_{DISCHARGE} = 2 \cdot R_{DEAD} \cdot C_T$ .

$$(1) \text{ Frequency} \approx \frac{1}{T_{CHARGE} + T_{DISCHARGE}}$$

$$(2) \text{ Maximum Duty Cycle} \approx \frac{T_{CHARGE}}{T_{CHARGE} + T_{DISCHARGE}}$$

The CT capacitance should be increased by approximately 40pF to account for parasitic capacitance.

**OUT:** The output of the PWM driver. It has an upper clamp of 8.5V. The peak current sink and source are 250mA. All UVLO, SEQ, ENBL, and KILL logic either enable or disable the output driver.

**PWRSEN:** This pin is the input to the PWROK comparator.

**PWROK:** The output pin from the PWROK comparator. It has a 300μA current source output when driven high.

**RAMP:** An open collector that can sink 20mA to discharge the oscillator capacitor. An RC is tied between

VCC and GND to accomplish feedforward. The PWM output drives this pin. When the output is high, the transistor is off enabling the charging of the RAMP capacitor. When the output transitions low, the transistor is turned on discharging the RAMP capacitor. The voltage at RAMP rises from 0.2V to near 4V at maximum duty cycle. Although this is an exponential ramp at high VCC voltage the ramp appears linear.

**RDEAD:** The pin that programs the maximum duty cycle by connecting a resistor between it and OSC. The maximum duty cycle is decreased by increasing this resistor value which increases the discharge time. The dead time, the time when the output is low, is  $2 \cdot R_{DEAD} \cdot C_T$ . The CT capacitance should be increased by approximately 40pF to account for parasitic capacitance.

**RUN:** This is an open collector logic output that signifies when the chip is operational. RUN is pulled high to VREF through an external resistor when VCC is greater than 8.4V, VREF is greater than 4.65V, SEQ is greater than 2.5V, and KILL lower than 3.0V. RUN connected to the VA+ pin and to a capacitor to ground adds an RC rise time on the VA+ pin initiating a soft start.

**SEQ:** The sequence pin allows the sequencing of startup for multiple units. A resistor between VREF and SEQ and a capacitor between SEQ and GND create a unique RC rise time for each unit which sequences the output startup.

**SHARE:** The nearly DC voltage representing the average output current. This pin is wired directly to all SHARE pins and is the load share bus.

**VA-, VA+:** The inverting and non-inverting inputs to the voltage error amplifier.

**VAO:** The output of the voltage error amplifier. Its Voh is clamped with the ILIM pin.

**VCC:** The input voltage to the chip. The chip is operational between 8.4V and 20V.

**VEE:** The negative supply voltage to the chip which powers the lower voltage rail for all amplifiers. The chip is operational if VEE is connected to GND or if GND is floating. When voltage is applied externally to VEE, GND becomes a virtual ground because of an internal diode between VEE and GND. The GND current flows through the forward biased diode and out VEE. GND is always the signal ground from which the voltage reference and all amplifier inputs are referenced.

**VREF:** The reference voltage equal to 5.0V.

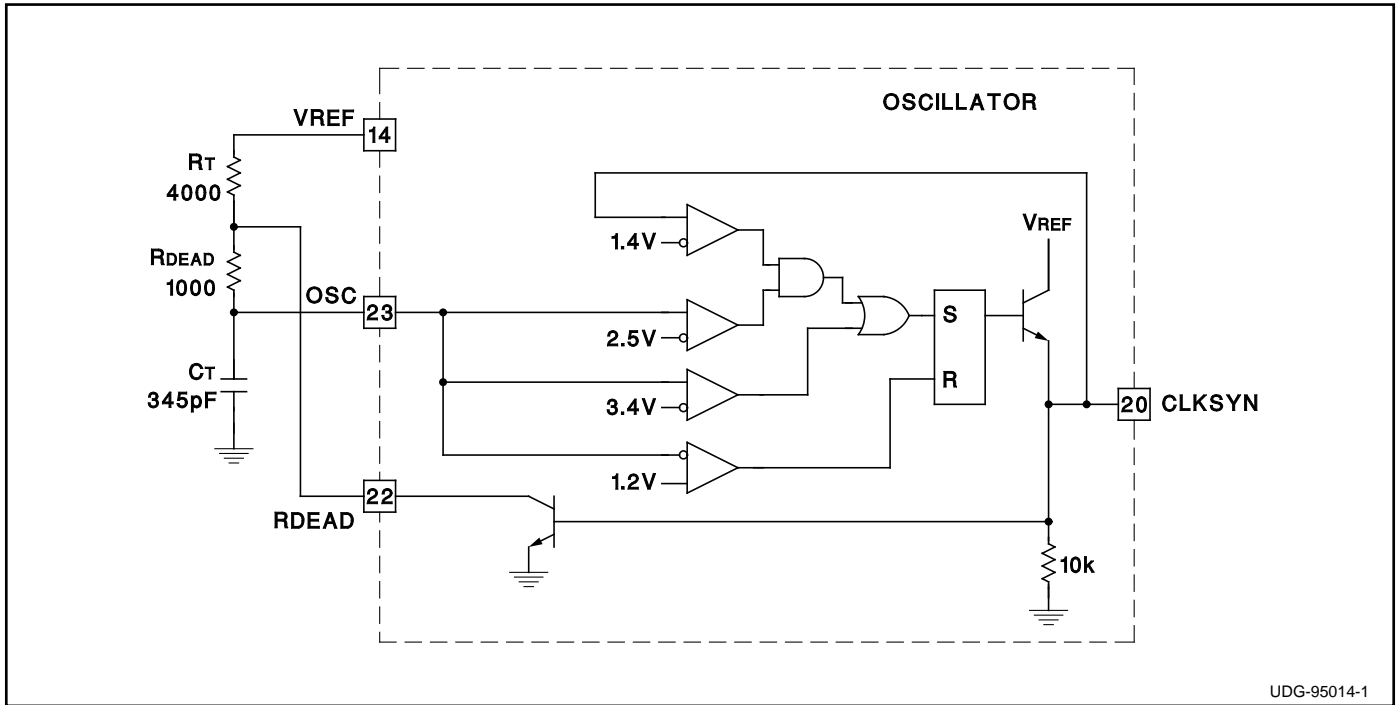


Figure 1. Oscillator Block with External Connections

**CIRCUIT DESCRIPTION:**

**PWM Oscillator:** The chip has two pins that set RC time constants. The resistor and capacitor tied to RAMP create the ramp used as the input to the PWM comparator. When the output pin OUT is high, RAMP charges until it passes the PWM comparator threshold. The output is then driven low and RAMP is discharged. The resistors and capacitor on the OSC pin are used to set the PWM operating frequency and its maximum duty cycle.

The oscillator block diagram with external wiring is shown in Figure 1. OSC has a capacitor (CT) to ground and two resistors in series (RT and RDEAD) to VREF. The total resistance of RT and RDEAD divided by VREF – VOSC sets the exponential charge current. The oscillator charges from 1.2V to a 3.4V threshold with an RC time

delay of  $2 \cdot CT \cdot (RDEAD + RT)$ . After exceeding this threshold, the RS flip-flop is set driving CLKSYN high and RDEAD low which discharges CT. At this time and open collector transistor is turned on and discharges CT capacitor through RDEAD with a RC time delay of  $2 \cdot CT \cdot RDEAD$ . The oscillator and ramp waveforms are shown in Figure 2. Equations to attain frequency and maximum duty cycle are listed under the OSC pin description.

As shown in Figure 3, several oscillators are synchronized to the highest free running frequency by connecting 100pF capacitors in series with each CLKSYN pin and connecting the other side of the capacitors together forming the CLKSYN bus. The CLKSYN bus is then pulled down to ground with a resistance of approximately 10k. Referring to Figure 1, the synchronization threshold is 1.4V. The oscillator blanks any synchronization pulse that occurs when OSC is below 2.5V. This allows units, once they discharge below 2.5V, to continue through the current discharge and subsequent charge cycles whether or not other units on the CLKSYN bus are still synchronizing. This requires the frequency of all free running oscillators to be within 40% of each other to guarantee synchronization.

**Grounds, Voltage Sensing and Current Sensing:** The voltage is sensed directly at the load. Proper load sharing requires the same sensed voltage for each power supply connected in parallel. Referring to Figure 4, the

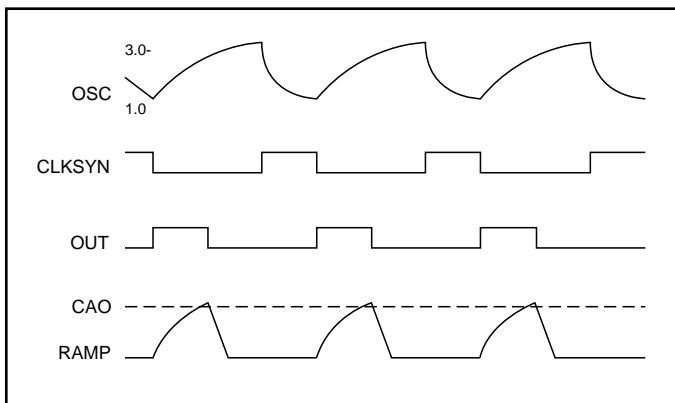


Figure 2. Oscillator and PWM Output Waveform

CIRCUIT BLOCK DESCRIPTION (cont.)

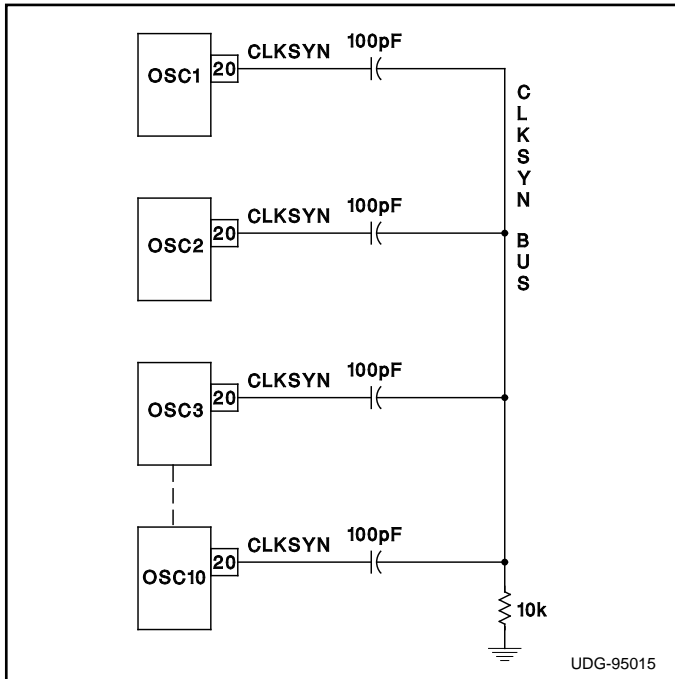


Figure 3. Oscillator Synchronization Connection Diagram

positive sense voltage (VSP) connects to the voltage error amplifier inverting terminal (VA-), the return lead for the on-chip reference is used as the negative sense (VSM). The current is sensed across the shunt resistor, Rs. The voltage across the shunt resistor is level shifted up so that the maximum voltage across Rs corresponds to the voltage error amplifier Voh.

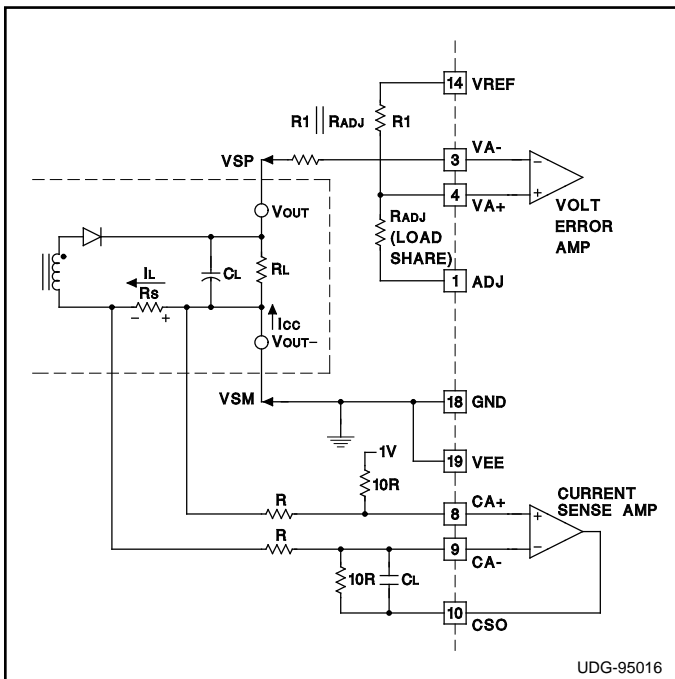


Figure 4. Voltage and Current Sense VEE Tied to GND

Figure 4 shows one recommended voltage and current sensing scheme when VEE is connected to GND. The signal ground is the negative sense point for the output voltage and the positive sense point for the output current. VEE is the negative supply for the current sense amplifier. When it is separated from GND, it extends the current sense amplifier's common mode input voltage range to include VEE which is approximately -0.7V below ground. The resistor RADJ is used for load sharing. The unit which is the master will force VADJ to 1.0V. Therefore, the regulated voltage being sensed is actually

$$VSP - VSM = (VREF - VADJ) \cdot \left( \frac{RADJ}{R1 + RADJ} \right) + VADJ$$

$$VSM = 0V, VADJ = 1V \text{ (master)}, VREF = 5V$$

$$VSP = 4 \cdot \left( \frac{RADJ}{R1 + RADJ} \right) + 1V$$

The voltage at ADJ on the slave chips will increase forcing their load currents to increase to match the master.

The AC frequency response of the voltage error amplifier is shown in Figure 5.

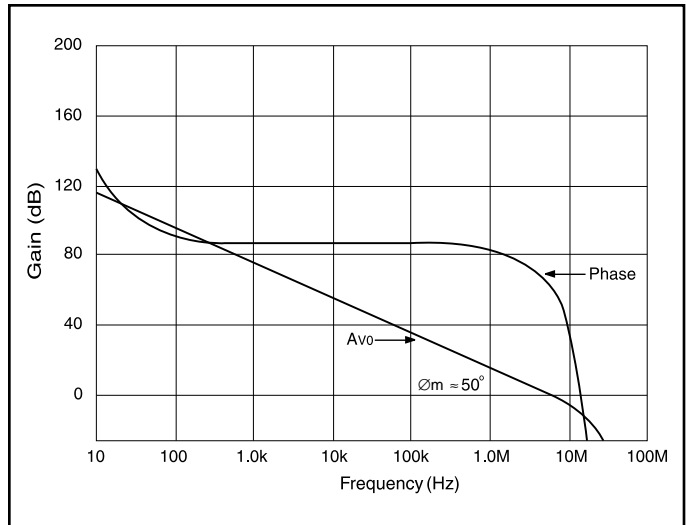


Figure 5. AC Frequency Response of the Voltage Error Amplifier

**Startup and Shutdown:** Isolated power up can be accomplished using the UCC1889. Application Note U-149 is available for additional information.

The UC1826 offers several features that enhance startup and shutdown. Soft start is accomplished by connecting RUN to VA+ and a capacitor to ground. The resulting RC rise time on the VA+ pin initiates a soft start. It can also be accomplished by connecting RUN to ILIM. When RUN is low it will command zero load current, guaranteeing a soft start. The undervoltage lockout (UVLO) is a logical AND of ENBL < 2.5V, SEQ > 2.5V, VCC > 8.4V and

**CIRCUIT BLOCK DESCRIPTION (cont.)**

VREF > 4.65V. The block diagram shows that the thresholds are set by comparators. By placing an RC divider on the SEQ pin, the enabling of multiple chips can be sequenced with different RC time constants. Similarly, different RC time constants on the ENBL pins can sequence shutdown. The UVLO keeps the output from switching; however the internal reference starts up with VCC less than 8.4V. The KILL input shuts down the switching of the chip. This can be used in conjunction with an overvoltage comparator for overvoltage protection. In order to restart the chip after KILL has been initiated, the chip must be powered down and then back up. A pulse on the ENBL pin also accomplishes this without actually removing voltage to the VCC pin.

**Load Sharing:** Load sharing is accomplished similarly to the UC1907 except it has the added constraint of using the sensed current for average current mode control. The sensed current for the UC1826 has an AC component that is amplified and then averaged. The voltage error amplifier represents this average current. The voltage error amplifier output is the current command signal and its voltage represents the average output load current. The ILIM pin programs the upper clamp voltage of this amplifier and consequently the maximum load current. A gain of 2 amplifier connected between the voltage error amplifier output and the share amplifier input increases the current share resolution and noise margin. The average current is used as an input to a source only load share buffer amplifier. The output of this amplifier is the current share bus. The IC with the highest sensed current will have the highest voltage on the current share bus and consequently act as the master. The 60mV input offset guarantees that the unit sensing the highest load current is chosen as the master.

The adjust amplifier is used by the remaining (slave) ICs to adjust their respective references high in order to balance each IC's load current. The master's ADJ pin will be at its 1.0V clamp and connected back to the non-inverting voltage error amplifier input through a high value resistor. This requires the user to initially calculate the control voltage with the ADJ pin at 1.0V.

VREF can be adjusted 150mV to 300mV which compensates for 5% unit to unit reference mismatch and external resistor mismatch. RADJ will typically be 10 to 30 times larger than R1. This also attenuates the overall variation of the ADJ clamp of 1V ±100mV by a factor of 10 to 30, contributing only a 3mV to 10mV additional delta to VREF. Refer to the UC3907 Application Note U-130 for further information on parallel power supply load sharing.

**Current Control Loop:** The current error amplifier (CEA) needs its loop compensated externally. The zero crossing can be calculated with Equation 3.

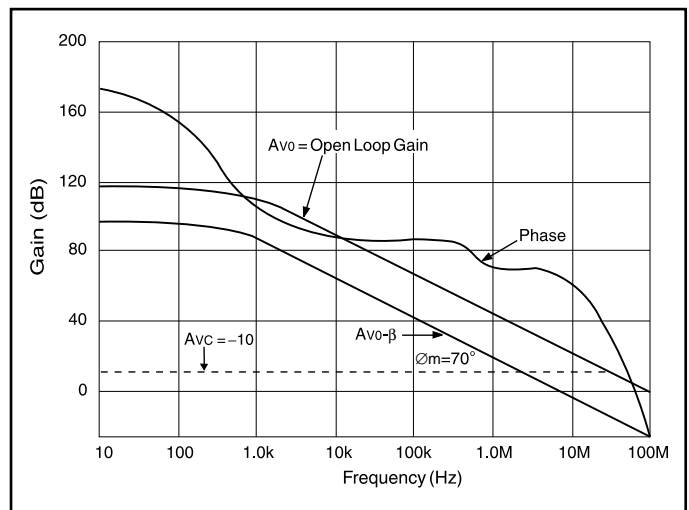
$$(3) \text{ Frequency (0dB)} = \frac{1}{2\pi R_{INV} \cdot C_{COMP}}$$

RINV is the input resistance at the inverting terminal CA- CCOMP is the capacitance between CA- and CAO.

Although it is only unity gain stable for a BW of 7MHz, the amplifier is typically configured with a differential gain of at least 10, allowing the amplifier to operate with sufficient phase margin at a GBW of 70MHz. A closed loop gain of 10 attenuates the output by 20.8dB

$$20.8 = 20\log \cdot \frac{1}{11}$$

to the inverting terminal assuring stability. The amplifier's gain fed back into the inverting terminal is less than unity at 7MHz, where the phase margin begins to roll off. See Figure 6 for a typical Bode plot.



**Figure 6. Current Error Amplifier Bode Plot**

The current error amplifier bandwidth is rolled off and controlled by the voltage error amplifier output. The maximum load current is limited to approximately the maximum voltage across the shunt resistor (maximum of 200mV) divided by Rs:

$$(4) I_{MAXload} = \frac{V_{Rs}}{R_s}$$

ILIM sets the maximum current limit by setting the Voh clamp on the voltage error amplifier. If ILIM is not set to limit the Voh to be equal to the maximum voltage across Rs, VAO must be attenuated to match the maximum volt-



**CIRCUIT BLOCK DESCRIPTION (cont.)**

age  $V_{RS}$  across the shunt resistor. By attenuating the maximum voltage at VAO to be equal to  $V_{RS}$ , the current control loop keeps the load from exceeding its current limit. If the ILIM pin is connected to VREF, the  $V_{oh}$  is set at 3.0V. The maximum current limit clamp can be reduced by reducing the voltage on ILIM to less than 3.0V as described in the ILIM pin description.

**Design Example:** Figure 7 is an open loop test that lets the user test the circuit blocks discussed without having to build an entire control loop. The pulse width can be varied by either the VADJ or the VISENSE inputs. Figure 8 shows an isolated power supply using the UC1826 secondary side average current mode controller.

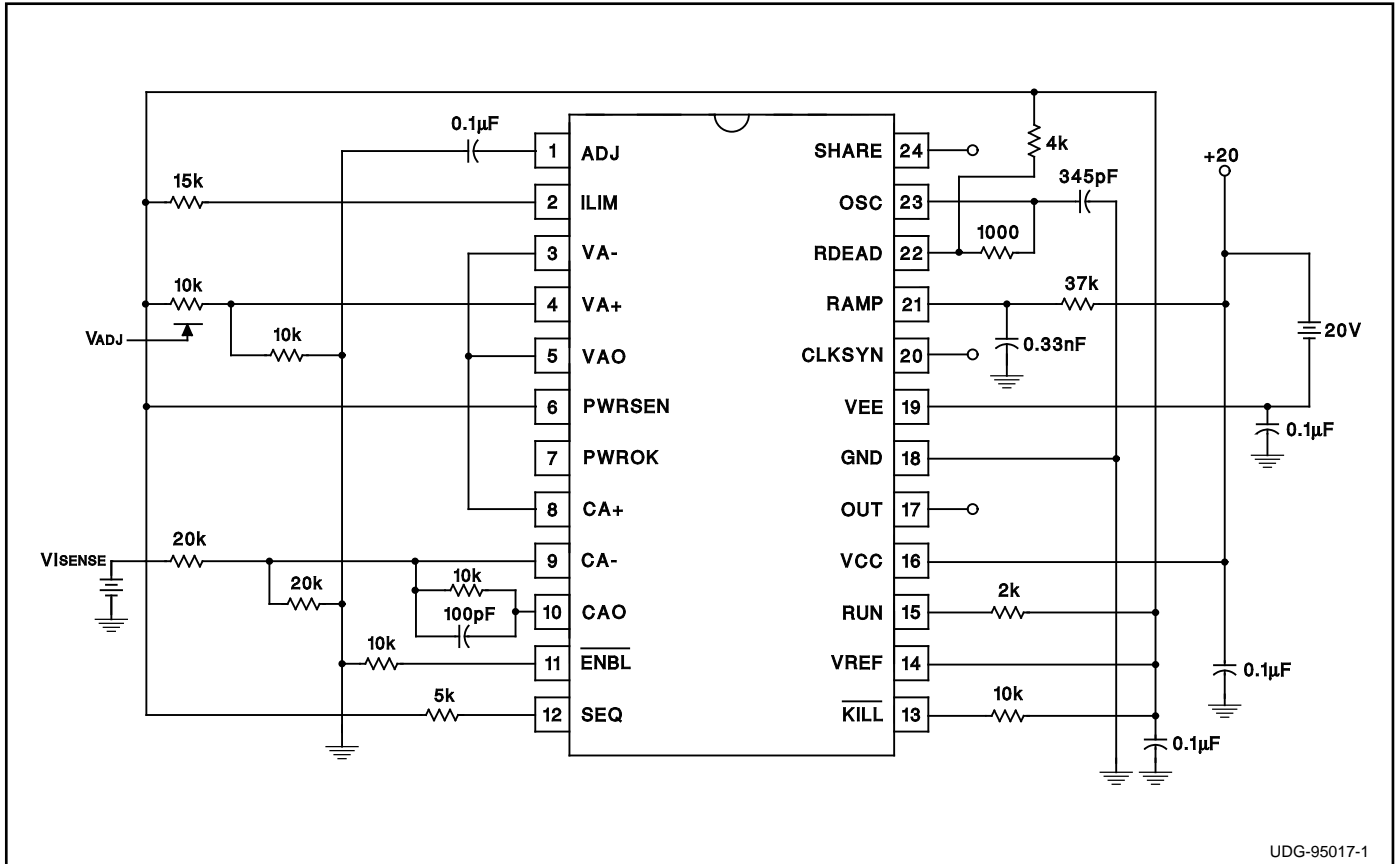


Figure 7. Open Loop Circuit

UDG-95017-1

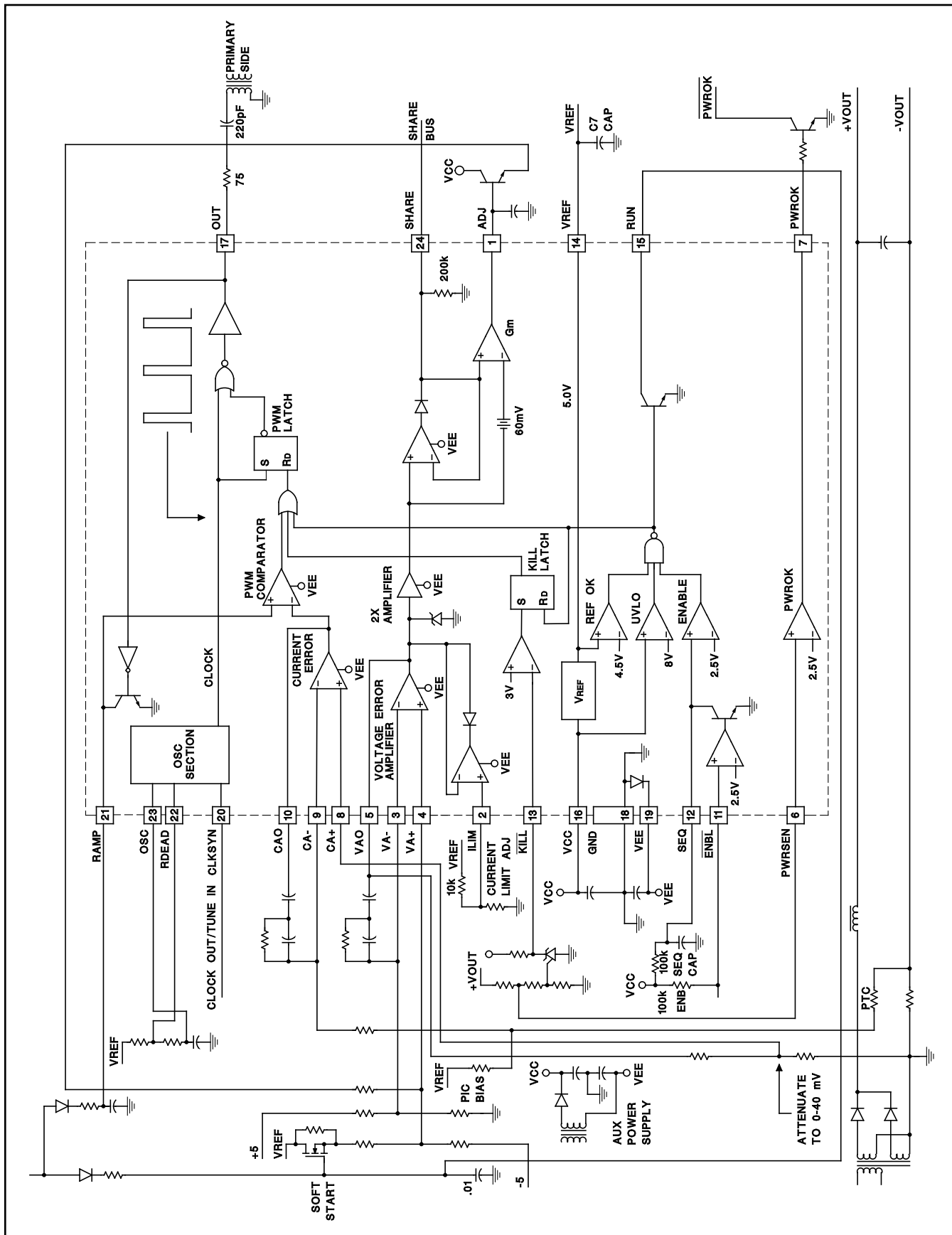


Figure 8. UC1826 Application Diagram

## IMPORTANT NOTICE

Texas Instruments and its subsidiaries (TI) reserve the right to make changes to their products or to discontinue any product or service without notice, and advise customers to obtain the latest version of relevant information to verify, before placing orders, that information being relied on is current and complete. All products are sold subject to the terms and conditions of sale supplied at the time of order acknowledgement, including those pertaining to warranty, patent infringement, and limitation of liability.

TI warrants performance of its semiconductor products to the specifications applicable at the time of sale in accordance with TI's standard warranty. Testing and other quality control techniques are utilized to the extent TI deems necessary to support this warranty. Specific testing of all parameters of each device is not necessarily performed, except those mandated by government requirements.

CERTAIN APPLICATIONS USING SEMICONDUCTOR PRODUCTS MAY INVOLVE POTENTIAL RISKS OF DEATH, PERSONAL INJURY, OR SEVERE PROPERTY OR ENVIRONMENTAL DAMAGE ("CRITICAL APPLICATIONS"). TI SEMICONDUCTOR PRODUCTS ARE NOT DESIGNED, AUTHORIZED, OR WARRANTED TO BE SUITABLE FOR USE IN LIFE-SUPPORT DEVICES OR SYSTEMS OR OTHER CRITICAL APPLICATIONS. INCLUSION OF TI PRODUCTS IN SUCH APPLICATIONS IS UNDERSTOOD TO BE FULLY AT THE CUSTOMER'S RISK.

In order to minimize risks associated with the customer's applications, adequate design and operating safeguards must be provided by the customer to minimize inherent or procedural hazards.

TI assumes no liability for applications assistance or customer product design. TI does not warrant or represent that any license, either express or implied, is granted under any patent right, copyright, mask work right, or other intellectual property right of TI covering or relating to any combination, machine, or process in which such semiconductor products or services might be or are used. TI's publication of information regarding any third party's products or services does not constitute TI's approval, warranty or endorsement thereof.