

**Cascadable Amplifier  
100 to 2000 MHz**

**A34/SMA34**

V4

**Features**

- HIGH GAIN—TWO STAGES: 16 dB (TYP.)
- ULTRALOW PHASE DEVIATION FROM LINEARITY:  $<\pm 3^\circ$ ; 500-200 MHz
- LOW VSWR: $<1.5:1$  (TYP.)
- MEDIUM LEVEL OUTPUT: +7 dBm (TYP.)

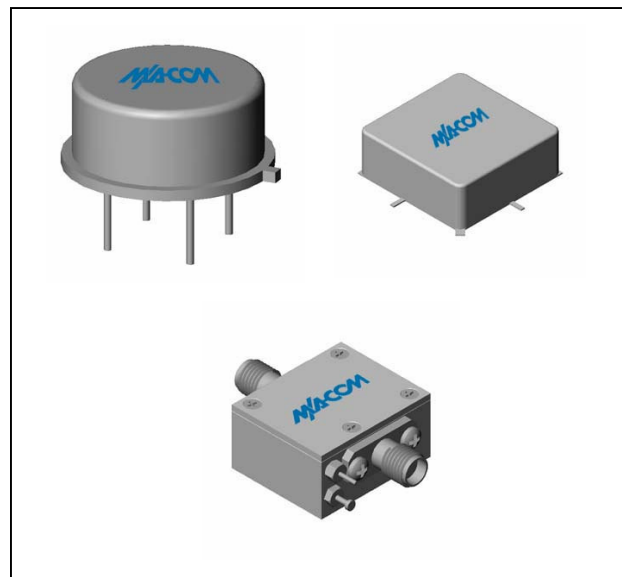
**Description**

The A34 RF amplifier is a discrete hybrid design, which uses thin film manufacturing processes for consistent performance and high reliability.

This 2 stage bipolar transistor feedback amplifier design displays impressive performance over a broadband frequency range. An active DC biasing network insures temperature-stable performance.

Both TO-8 and Surface Mount packages are hermetically sealed, and MIL-STD-883 environmental screening is available

**Product Image**



**Ordering Information**

Part Number	Package
A34	TO-8
SMA34	Surface Mount
CA34 **	SMA Connectorized

\*\* The connectorized version is not RoHS compliant.

**Electrical Specifications:  $Z_0 = 50\Omega$ ,  $V_{CC} = +15 V_{DC}$**

Parameter	Units	Typical	Guaranteed	
		25°C	0° to 50°C	-54° to +85°C*
Frequency	MHz	30-2100	100-2000	100-2000
Small Signal Gain (min)	dB	16.0	15.0	14.
Gain Flatness (max)	dB	$\pm 0.5$	$\pm 0.7$	$\pm 1.0$
Reverse Isolation	dB	30		
Noise Figure (max)	dB	5.5	6.5	7.0
Power Output @ 1 dB comp. (min)	dBm	7.0	6.0	5.0
IP3	dBm	+18		
IP2	dBm	+42		
Second Order Harmonic IP	dBm	+46		
VSWR Input / Output (max)		1.5:1 / 1.5:1	1.9:1 / 1.9:1	2.0:1 / 2.0:1
DC Current @ 15 Volts (max)	mA	35	39	41

**Absolute Maximum Ratings**

Parameter	Absolute Maximum
Storage Temperature	-62°C to +125°C
Case Temperature	+125°C
DC Voltage	+20 V
Continuous Input Power	+10 dBm
Short Term Input power (1 minute max.)	50 mW
Peak Power (3 $\mu$ sec max.)	0.5 W
"S" Series Burn-In Temperature (case)	+125°C

**Thermal Data:  $V_{CC} = +15 V_{DC}$**

Parameter	Rating
Thermal Resistance $\theta_{jc}$	160°C/W
Transistor Power Dissipation $P_d$	0.178 W
Junction Temperature Rise Above Case $T_{jc}$	28°C

\* Over temperature performance limits for part number CA34, guaranteed from 0°C to +50°C only.

M/A-COM Inc. and its affiliates reserve the right to make changes to the product(s) or information contained herein without notice. M/A-COM makes no warranty, representation or guarantee regarding the suitability of its products for any particular purpose, nor does M/A-COM assume any liability whatsoever arising out of the use or application of any product(s) or information.

• **North America** Tel: 800.366.2266 / Fax: 978.366.2266  
 • **Europe** Tel: 44.1908.574.200 / Fax: 44.1908.574.300  
 • **Asia/Pacific** Tel: 81.44.844.8296 / Fax: 81.44.844.8298

Visit [www.macom.com](http://www.macom.com) for additional data sheets and product information.

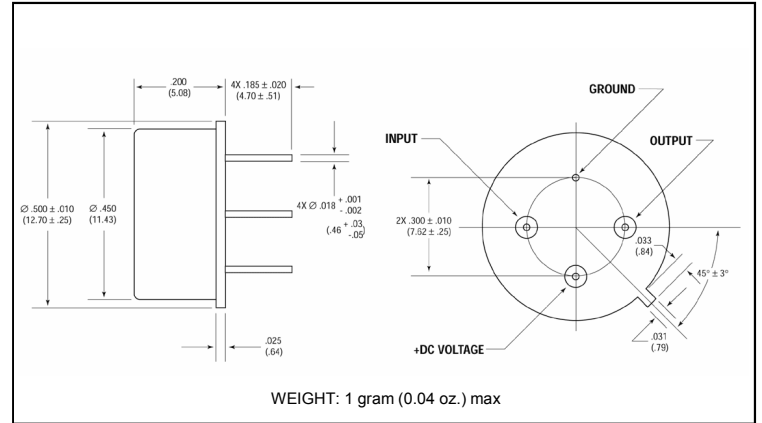
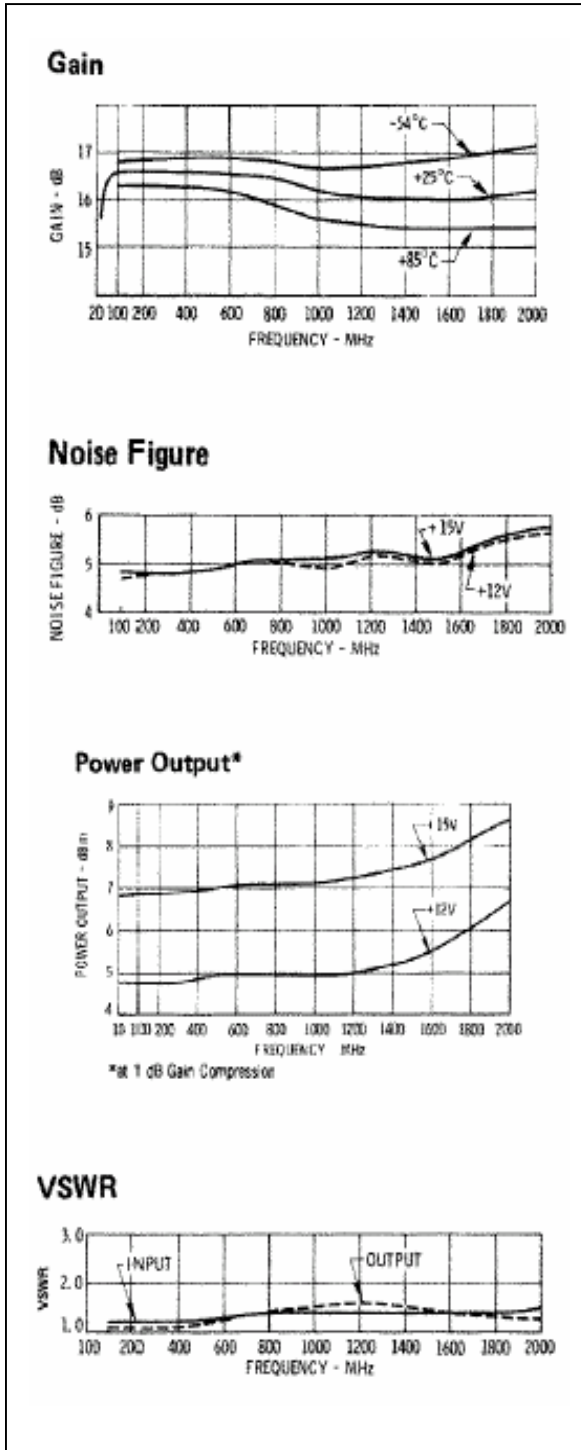
**Cascadable Amplifier  
100 to 2000 MHz**

**A34/SMA34**

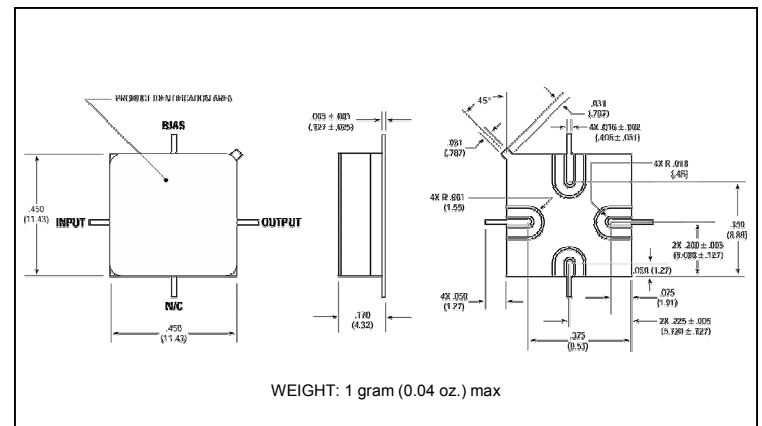
V4

**Typical Performance Curves at +25°C**

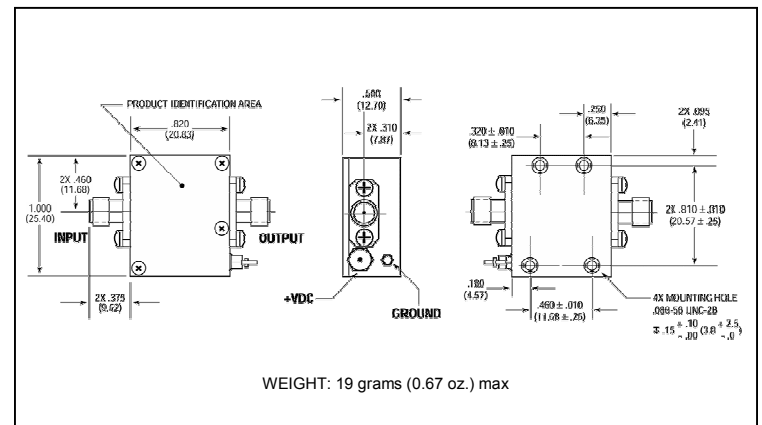
**Outline Drawing: TO-8 \***



**Outline Drawing: Surface Mount \***



**Outline Drawing: SMA Connectorized \***



\* Dimensions are inches (millimeters) ±0.015 (0.38) unless otherwise specified.