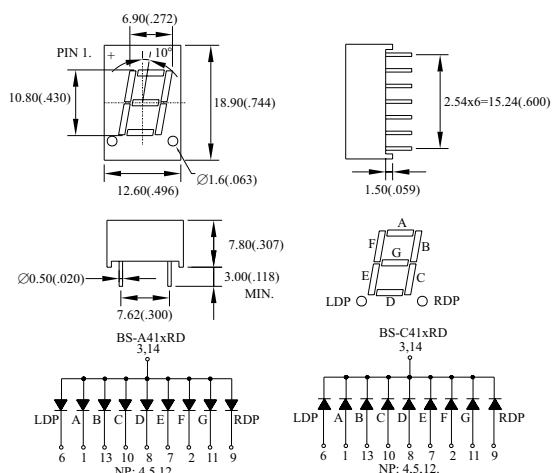
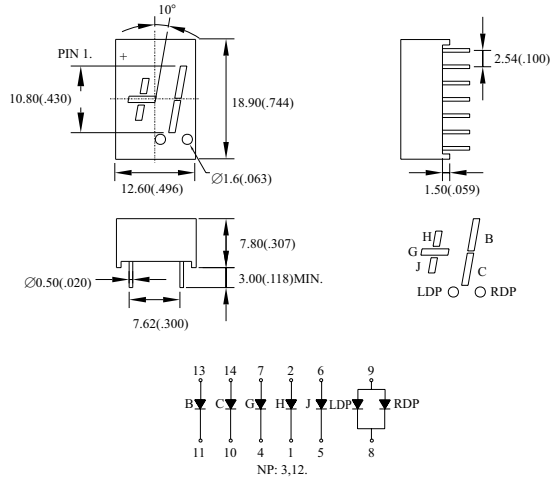
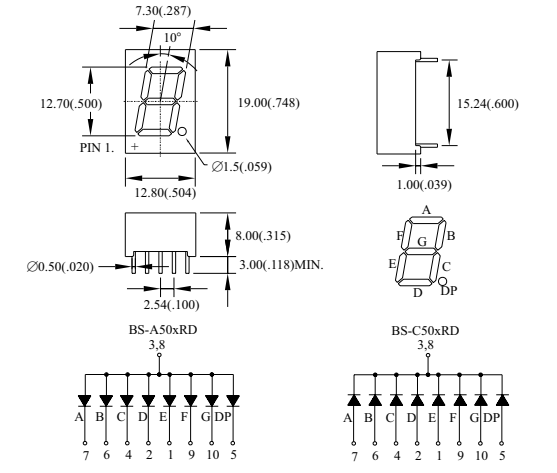
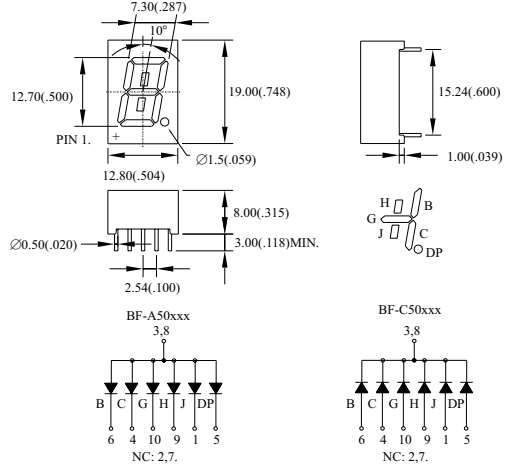
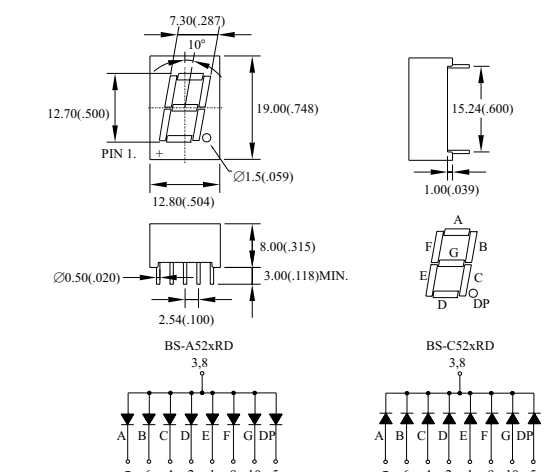
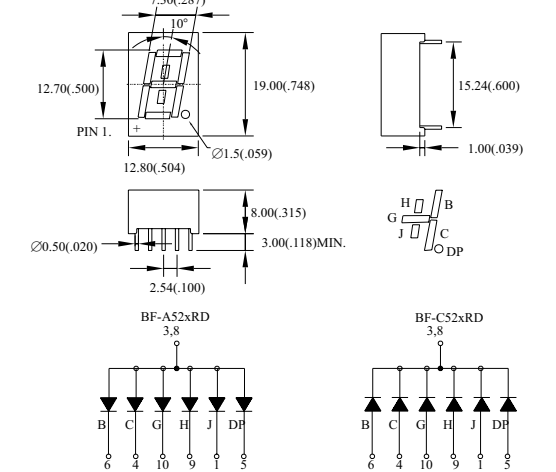




SINGLE DIGIT LED DISPLAYS

Digit Size	Part No.		Chip		Absolute Maximum Ratings				Electro-optical Data(At 10mA)			Drawing No.
	Common Anode	Common Cathode	Material/Emitted Color	Peak Wave Length λp(nm)	Δλ (nm)	Pd (mw)	If (mA)	Ifp (mA)	Vf (v)		Iv. Typ. Per.Seg. (mcd)	
									Typ.	Max.		
0.43" Single-Digit	BS-A411RD	BS-C411RD	GaAsP/Red	655	40	80	40	200	1.7	2.0	0.7	SD-19
	BS-A415RD	BS-C415RD	GaP/ Bright Red	700	90	40	15	50	2.2	2.5	1.5	
	BS-A415RE	BS-C415RE										
	BS-A412RD	BS-C412RD	GaP/ Green	568	30	80	30	150	2.2	2.5	3.5	
	BS-A413RD	BS-C413RD	GaAsP/GaP/ Yellow	585	35	80	30	150	2.1	2.5	2.5	
	BS-A414RD	BS-C414RD	GaAsP/GaP/ Hi-Eff.Red	635	45	80	30	150	2.0	2.5	3.5	
			GaAsP/GaP/ Orange									
	BS-A416RD	BS-C416RD	GaAlAs/ SH Super Red	660	20	80	30	150	1.7	2.5	6.5	
BS-A41DRD	BS-C41DRD	GaAlAs/ DH Super Red	660	20	80	30	150	1.7	2.5	7.5		
0.43" Overflow Single-Digit	BF-U411RD		GaAsP/Red	655	40	80	40	200	1.7	2.0	0.7	SD-20
	BF-U415RD		GaP/ Bright Red	700	90	40	15	50	2.2	2.5	1.5	
	BF-U415RE											
	BF-U412RD		GaP/ Green	568	30	80	30	150	2.2	2.5	3.5	
	BF-U413RD		GaAsP/GaP/ Yellow	585	35	80	30	150	2.1	2.5	2.5	
	BF-U414RD	BF-C414RD	GaAsP/GaP/ Hi-Eff.Red	635	45	80	30	150	2.0	2.5	3.5	
			GaAsP/GaP/ Orange									
	BF-U416RD		GaAlAs/ SH Super Red	660	20	80	30	150	1.7	2.5	6.5	
BF-U41DRD		GaAlAs/ DH Super Red	660	20	80	30	150	1.7	2.5	7.5		
0.50" Single-Digit	BS-A501RD	BS-C501RD	GaAsP/Red	655	40	80	40	200	1.7	2.0	1.0	SD-21
	BS-A505RD	BS-C505RD	GaP/ Bright Red	700	90	40	15	50	2.2	2.5	1.5	
	BS-A505RE	BS-C505RE										
	BS-A502RD	BS-C502RD	GaP/ Green	568	30	80	30	150	2.2	2.5	3.0	
	BS-A503RD	BS-C503RD	GaAsP/GaP/ Yellow	585	35	80	30	150	2.1	2.5	2.0	
	BS-A504RD	BS-C504RD	GaAsP/GaP/ Hi-Eff.Red	635	45	80	30	150	2.0	2.5	3.0	
			GaAsP/GaP/ Orange									
	BS-A506RD	BS-C506RD	GaAlAs/ SH Super Red	660	20	80	30	150	1.7	2.5	7.0	
BS-A50DRD	BS-C50DRD	GaAlAs/ DH Super Red	660	20	80	30	150	1.7	2.5	8.0		
0.50" Overflow Single-Digit	BF-A501RD		GaAsP/Red	655	40	80	40	200	1.7	2.0	1.0	SD-22
	BF-A505RD		GaP/ Bright Red	700	90	40	15	50	2.2	2.5	1.5	
	BF-A505RE											
	BF-A502RD		GaP/ Green	568	30	80	30	150	2.2	2.5	3.0	
	BF-A503RD		GaAsP/GaP/ Yellow	585	35	80	30	150	2.1	2.5	2.0	
	BF-A504RD	BF-C504RD	GaAsP/GaP/ Hi-Eff.Red	635	45	80	30	150	2.0	2.5	3.0	
			GaAsP/GaP/ Orange									
	BF-A506RD		GaAlAs/ SH Super Red	660	20	80	30	150	1.7	2.5	7.0	
BF-A50DRD		GaAlAs/ DH Super Red	660	20	80	30	150	1.7	2.5	8.0		
0.50" Single-Digit	BS-A521RD	BS-C521RD	GaAsP/Red	655	40	80	40	200	1.7	2.0	0.7	SD-23
	BS-A525RD	BS-C525RD	GaP/ Bright Red	700	90	40	15	50	2.2	2.5	1.5	
	BS-A525RE	BS-C525RE										
	BS-A522RD	BS-C522RD	GaP/ Green	568	30	80	30	150	2.2	2.5	3.5	
	BS-A523RD	BS-C523RD	GaAsP/GaP/ Yellow	585	35	80	30	150	2.1	2.5	2.5	
	BS-A524RD	BS-C524RD	GaAsP/GaP/ Hi-Eff.Red	635	45	80	30	150	2.0	2.5	3.5	
			GaAsP/GaP/ Orange									
	BS-A526RD	BS-C526RD	GaAlAs/ SH Super Red	660	20	80	30	150	1.7	2.5	6.5	
BS-A52DRD	BS-C52DRD	GaAlAs/ DH Super Red	660	20	80	30	150	1.7	2.5	7.5		
0.50" Overflow Single-Digit	BF-A521RD		GaAsP/Red	655	40	80	40	200	1.7	2.0	0.7	SD-24
	BF-A525RD		GaP/ Bright Red	700	90	40	15	50	2.2	2.5	1.5	
	BF-A525RE											
	BF-A522RD		GaP/ Green	568	30	80	30	150	2.2	2.5	3.5	
	BF-A523RD		GaAsP/GaP/ Yellow	585	35	80	30	150	2.1	2.5	2.5	
	BF-A524RD	BF-C524RD	GaAsP/GaP/ Hi-Eff.Red	635	45	80	30	150	2.0	2.5	3.5	
			GaAsP/GaP/ Orange									
	BF-A526RD		GaAlAs/ SH Super Red	660	20	80	30	150	1.7	2.5	6.5	
BF-A52DRD		GaAlAs/ DH Super Red	660	20	80	30	150	1.7	2.5	7.5		

SINGLE DIGIT LED DISPLAYS

SD-19	SD-20
<p align="center">BS-A_C41xRD</p> 	<p align="center">BF-U41xRD</p> 
<p align="center">SD-21</p> <p align="center">BS-A_C50xRD</p> 	<p align="center">SD-22</p> <p align="center">BF-A_C50xRD</p> 
<p align="center">SD-23</p> <p align="center">BS-A_C52xRD</p> 	<p align="center">SD-24</p> <p align="center">BF-A_C52xRD</p> 

NOTES: 1.All Dimensions are in millimeters(inches).
 2.Tolerance is ±0.25mm(.010").
 3.Specifications are subject to change without notice.
 4.NP:No Pin. 5.NC:No Connect.