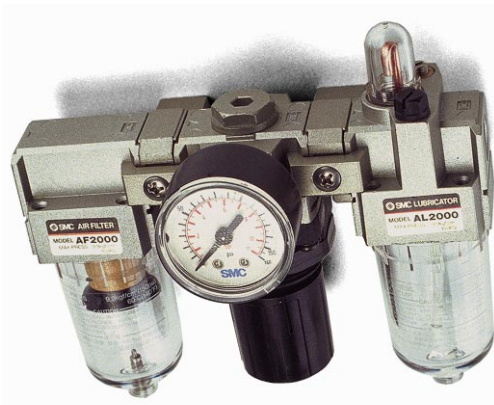


F.R.L. COMBINATION UNITS



MODULAR TYPE AC1000-AC6000 M5-1"

✓ Combination of filter, regulator and lubricator including mounting brackets and pressure gauge

TECHNICAL SPECIFICATIONS

Model	AC1000	AC2000	AC3000	AC4000	AC5000	AC6000
Combination	Air filter	AF1000	AF2000	AF3000	AF4000	AF5000
	Regulator	AR1000	AR2000	AR3000	AR4000	AR5000
	Lubricator	AL1000	AL2000	AL3000	AL4000	AL5000
Port size	M5X0.8	1/8, 1/4	1/4	1/4	1/4	1
Port size for pressure gauge	1/8	1/8	1/8	1/4	1/4	1/4
Max. supply pressure MPa	1.5					
Max. operating pressure MPa	0.99					
Regulating range MPa	0.05 - 0.7	0.05 - 0.85				
Max flow rate /n/min*	90	500	2000	4000	5000	7000
Min. operating conditions for autodrain	0.1MPa					
Ambient and media temperature	-5 - +60°C					
Filtration	Standard: 5µm					
Recommended oil	Turbine oil ISO VG32					
Bowl material	Polycarbonate (Steel/Nylon options)					
Construction/Regulator	Relieving type					
Accessories (standard)	Bowl guard	—	Optional	•	•	•

*Conditions: Supply pressure—0.7MPa. Setting pressure—0.5MPa Flow quoted at 0.1MPa pressure drop

How To ORDER

FILTER/REGULATOR, LUBRICATOR

AC ● 00 — ● ● G

BODY SIZE

- 10 ...M5
- 20 ...1/8
- 30 ...1/4
- 40 ...1/2
- 50 ...3/4
- 60 ...1

DRAIN

- Nil ...Manual drain
- D ...Auto drain

PORT SIZE

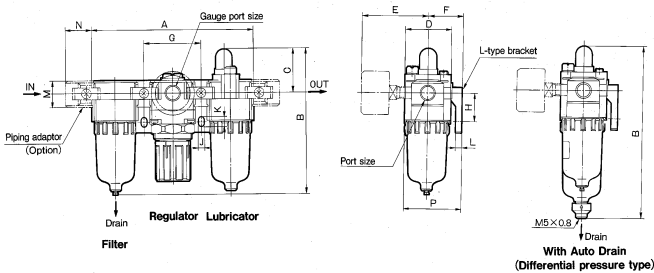
- M5 ...M5X0.8
- 01 ...1/8
- 02 ...1/4
- 03 ...3/8
- 04 ...1/2
- 06 ...3/4
- 10 ...1

STOCKED PRODUCTS

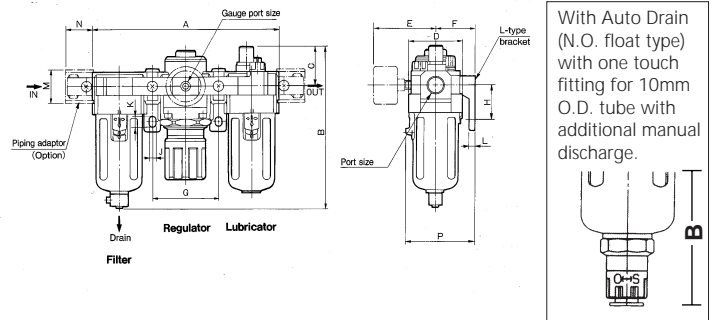
FOR A LIST OF STOCKED PRODUCTS, PLEASE SEE THE CURRENT SMC PRICE LIST

Air Preparation

DIMENSIONS AC1000, 2000

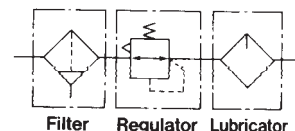


DIMENSIONS AC3000, 4000, 5000, 6000



Model	Port size	A	B	C	D	E	F	G	H	J	K	L	M	N	P	With auto drain	
																Float type	Differential pressure type
																N.O.	B
AC1000	M5X0.8	91	84.5	25.5	25	26	25	33	20	4.5	7.5	5	17.5	16	38.5	—	86.5
AC2000	1/8	140	125	38	40	56.8	30	50	24	5.5	8.5	5	22	23	50	—	120.5
AC3000	1/4	181	156.5	38	53	60.8	41	64	35	7	11	7	34.2	26	70.5	194	—
AC4000	1/2	238	191.5	41	70	65.5	50	84	40	9	13	7	42.2	33	88	229	—
AC5000	3/4	300	271.5	48	90	75.5	70	105	50	12	16	10	55.2	40	115	309	—
AC6000	1	315	285.5	48	95	78	70	110	50	12	16	10	55.2	40	117.5	323	—

SYMBOLS



SEE INSIDE FRONT COVER FOR DETAILS OF YOUR LOCAL SALES OFFICE

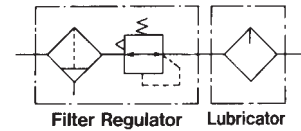


FOR FURTHER TECHNICAL DETAILS ON THIS PRODUCT REQUEST CATALOGUE REFERENCE E5G



MODULAR TYPE AC1010-AC4010 M5-1"

✓ Combination of filter/regulator and lubricator including mounting bracket and pressure gauge



TECHNICAL SPECIFICATIONS

Model	AC1010	AC2010	AC3010	AC4010
Combination	Filter regulator	AW1000	AW2000	AW3000
	Lubricator	AL1000	AL2000	AL3000
Port size	M5X0.8	1/8, 1/4	3/8	1/2
Port size for pressure gauge	1/8	3/8	1/2	3/4
Max. supply pressure MPa	1.5			
Max. operating pressure MPa	0.99			
Regulating range MPa	0.05 - 0.7	0.05 - 0.85		
Max flow rate (l/min)*	90	500	1700	3000
Min. operating conditions for autodrain	0.01MPa			
Ambient and media temperature	-5 - +60°C			
Filtration	Standard: 5µm			
Recommended oil	Turbine oil ISO VG32			
Bowl material	Polycarbonate (Steel/Nylon optional)			
Construction/Regulator	Relieving type			
Accessories (standard)	Bowl guard	—	Optional	•

*Conditions: Supply pressure—0.7MPa. Setting pressure—0.5MPa Flows quoted at 0.1MPa pressure drop

HOW TO ORDER

FILTER/REGULATOR, LUBRICATOR

AC 10 — G

BODY SIZE

- 10 ...M5
- 20 ...1/8 1/4
- 30 ...3/8
- 40 ...1/2

DRAIN

- Nil ...Manual drain
- DAuto drain

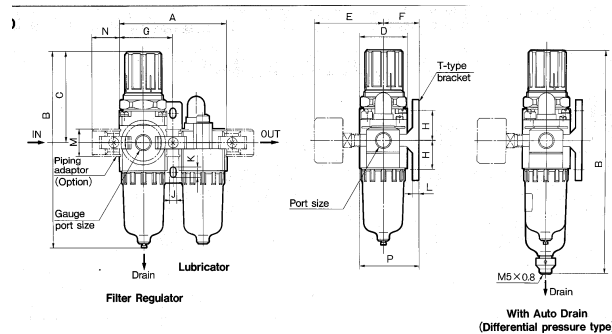
PORT SIZE

- M5 ...M5X0.8
- 01 ...1/8
- 02 ...1/4
- 03 ...3/8
- 04 ...1/2

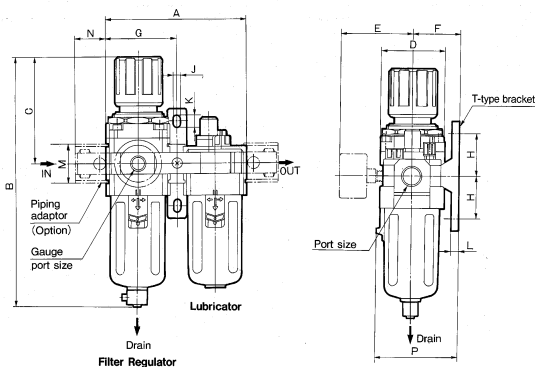
STOCKED PRODUCTS

FOR A LIST OF STOCKED PRODUCTS, PLEASE SEE THE CURRENT SMC PRICE LIST

DIMENSIONS AC1010, 2010



DIMENSIONS AC3010, 4010



With Auto Drain (N.O. float type) with one touch fitting for 10mm O.D. tube with additional manual discharge.

Model	Port size	A	B	C	D	E	F	G	H	J	K	L	M	N	P	With auto drain	
																N.O.	Differential pressure type
AC1010	M5X0.8	58	109.5	50.5	25	26	25	29	20	4.5	7.5	5	17.5	16	38.5	—	86.5
AC2010	1/8 1/4	90	164.5	78	40	56.8	30	45	24	5.5	8.5	5	22	23	50	—	120.5
AC3010	3/8	117	211	92.5	53	60.8	41	58.5	35	7	11	7	34.2	26	70.5	248.5	—
AC4010	1/2 3/4	154	262.5	112	70	70.5	50	77	40	9	13	7	42.2	33	88	300	—



FOR FURTHER TECHNICAL DETAILS ON THIS PRODUCT REQUEST CATALOGUE REFERENCE E5G