

**PLEASE CHECK WWW.MOLEX.COM FOR LATEST PART INFORMATION**

**Part Number:** [0850130103](#)  
**Status:** **Active**  
**Overview:** [din\\_41612](#)  
**Description:** 2.54mm (.100") Pitch DIN 41612 Header, Vertical, C-Pin Press-Fit Style R Reverse, 0.6µm (24µ") Selective Gold (Au), 64 Circuits, Lead free

**Documents:**

[Drawing \(PDF\)](#) [RoHS Certificate of Compliance \(PDF\)](#)  
[Product Specification PS-85013-0002 \(PDF\)](#)

**Agency Certification**

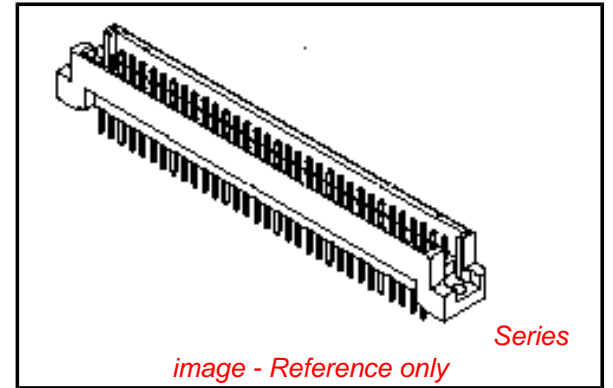
CSA LR19980  
 UL E29179

**General**

Product Family Backplane Connectors  
 Series [85013](#)  
 Application Backplane  
 Component Type PCB Header  
 Overview [din\\_41612](#)  
 Product Name IEC 603-2/DIN 41612  
 Style R

**Physical**

Circuits (Loaded) 64  
 Circuits (maximum) 96  
 Circuits Detail Rows A & C  
 Color - Resin Gray  
 Durability (mating cycles max) 400  
 First Mate / Last Break No  
 Flammability 94V-0  
 Guide to Mating Part No  
 Keying to Mating Part Yes  
 Material - Metal Phosphor Bronze  
 Material - Plating Mating Gold  
 Material - Plating Termination Tin  
 Material - Resin Polyester  
 Number of Columns 32  
 Number of Pairs Open Pin Field  
 Number of Rows 3  
 Orientation Vertical  
 PC Tail Length (in) 0.228 In  
 PC Tail Length (mm) 5.80 mm  
 PCB Locator No  
 PCB Retention Yes  
 PCB Thickness Recommended (in) 0.062 In  
 PCB Thickness Recommended (mm) 1.60 mm  
 Packaging Type Tray  
 Pitch - Mating Interface (in) 0.100 In  
 Pitch - Mating Interface (mm) 2.54 mm  
 Pitch - Term. Interface (in) 0.100 In  
 Pitch - Term. Interface (mm) 2.54 mm  
 Plating min: Mating (µin) 24  
 Plating min: Mating (µm) 0.6  
 Plating min: Termination (µin) 16  
 Plating min: Termination (µm) 0.4



**EU RoHS**

**ELV and RoHS  
 Compliant**  
**REACH SVHC**  
 Not Reviewed  
**Halogen-Free  
 Status**  
**Not Reviewed**

**China RoHS**



**Need more information on product  
 environmental compliance?**

Email [productcompliance@molex.com](mailto:productcompliance@molex.com)  
 For a multiple part number RoHS Certificate of  
 Compliance, [click here](#)

Please visit the [Contact Us](#) section for any  
 non-product compliance questions.

**Search Parts in this Series**

[85013Series](#)

**Mates With**

[85042](#) DIN 41612 Receptacle . [85052](#) DIN  
 41612 Header

**Use With**

[85089-1079](#) Press-in Tool

Surface Mount Compatible (SMC)	No
Temperature Range - Operating	-55°C to +125°C
Termination Interface: Style	Through Hole - Compliant Pin

### **Electrical**

Current - Maximum per Contact	2.5A
Data Rate	622.0 Mbps
Voltage - Maximum	1000V (RMS)

### **Material Info**

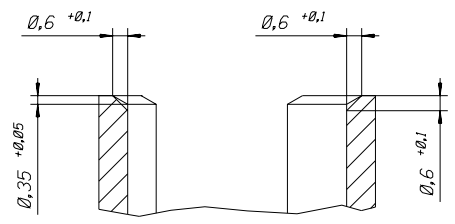
### **Reference - Drawing Numbers**

Packaging Specification	PK-85013-001
Product Specification	PS-85013-0002
Sales Drawing	610-6043-201

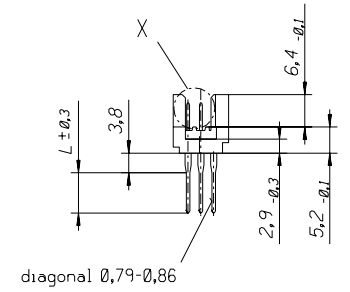
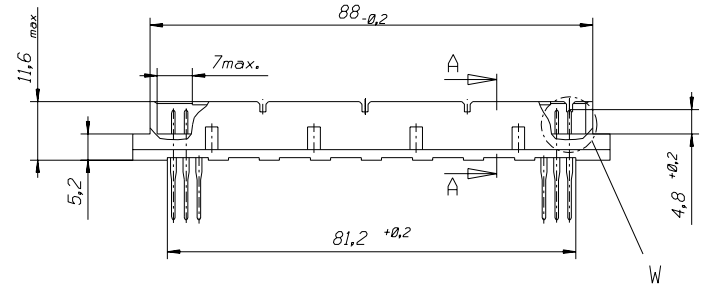
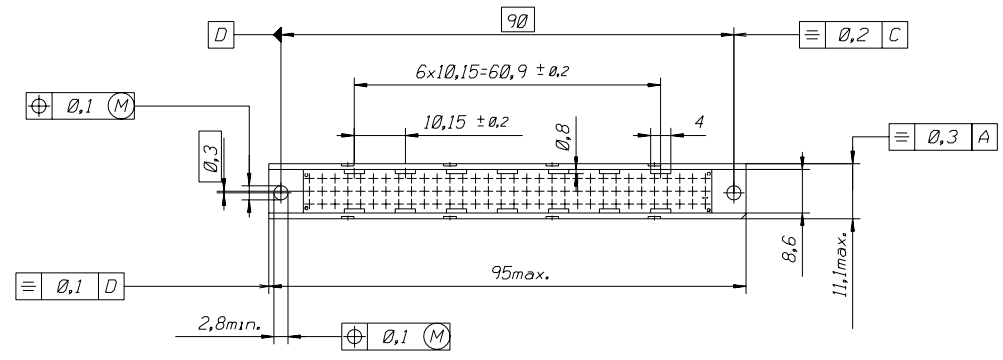
This document was generated on 05/17/2010

**PLEASE CHECK [WWW.MOLEX.COM](http://WWW.MOLEX.COM) FOR LATEST PART INFORMATION**

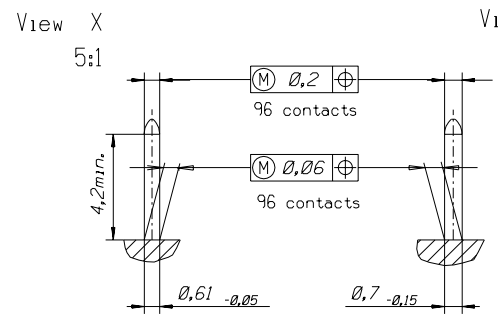
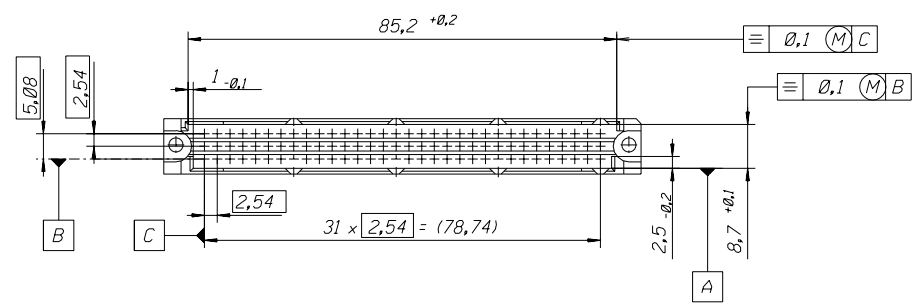
PART NO.  
DWG. NO.



section A-A  
5:1



diagonal 0,79-0,86



View X  
5:1

View W  
5:1

ECN MC2003-0052	WM RELEASE 02-08-15 EF	FIRST ANGLE PROJECTION		REVISE ONLY ON CAD SYSTEM		SH.	REV.
	LTR REVISIONS FOR PREVIOUS REVISIONS SEE WRL LIST	UNLESS OTHERWISE SPECIFIED TOLERANCES: ANGULAR ±2'	DRWG BY Ca	SIGN	CAD/CAM PROJECT NAME THIS DRAWING CONTAINS INFORMATION THAT IS PROPRIETARY TO MOLEX INC. & SHOULD NOT BE USED WITHOUT WRITTEN PERMISSION		
		3 PLACE ± . ±	CHK'D BY KN	SIGN	TITLE 96 pos. Male connector DIN 41612 style R (C-Pin) Dimensions		
		2 PLACE ± . ±	APP'D BY	SIGN			
1 PLACE ± . ±	DRAFT WHERE APPLICABLE MUST REMAIN WITHIN DIMENSIONS		SCALE 1:1	SHEET NO. DATE 1 OF 3 9/11/28		PART NO. DWG NO. SIZE see sh. no. 2 of 3 610-6043-201 B	
DESIGN DIMENSION <input checked="" type="checkbox"/> MM <input type="checkbox"/> IN.		EQUIVALENT DIMENSION <input type="checkbox"/> MM <input type="checkbox"/> IN.		IF TWO DIMENSIONS ARE SHOWN THE UPPER IS THE DESIGN DIMENSION, LOWER IS SECONDARY			