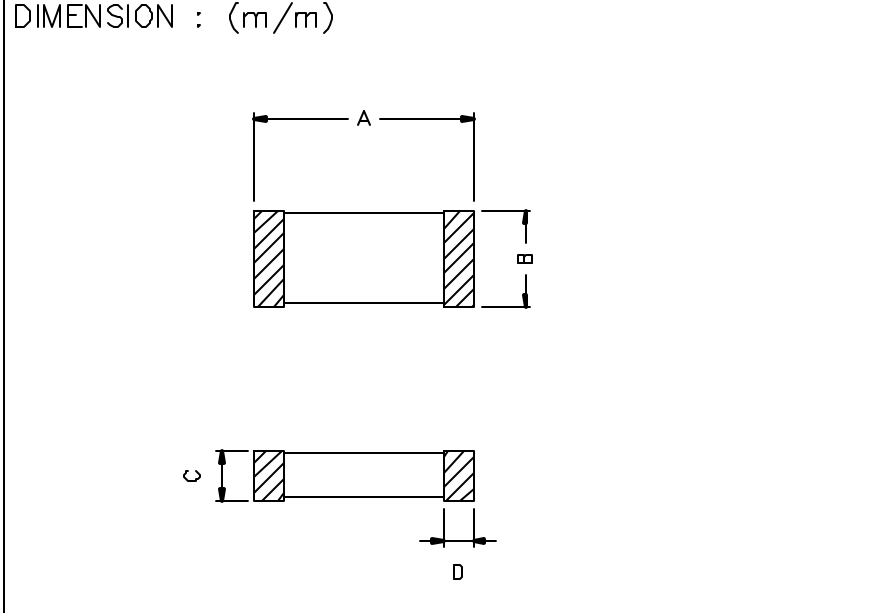


XFMRS, Inc.

SPECIFICATION FOR APPROVAL

XFMRS P/N : XFEB201209-221-2A Rev: B



A	∅2.0±0.2	m/m
B	1.2±0.2	m/m
C	0.9±0.2	m/m
D	0.5±0.3	m/m
E		m/m
F		m/m
G		m/m
H		m/m
I		m/m
J		m/m
K		m/m
L		m/m
M		m/m
N		m/m
O		m/m

ELECTRICAL REQUIREMENTS

TEST INSTRUMENTS

Z	220 Ohms±25%	TEST FREQ.	100	MHz
Z		TEST FREQ.		MHz
SRF		TEST FREQ.		MHz
Rdc	0.050 Ohms Max	TEST FREQ.		MHz
Idc	2000mA Max	TEST FREQ.		MHz
		TEST FREQ.		

- HP 34401A MULTIMETER
- HP 4195 NETWORKS/SPECTRUM ANALYZER
- HP 42841 BIAS CURRENT SOURCE
- HP 4285A LCR METER
- HP 4286A RF LCR METER
- HP 4291A RF IMPEDANCE / MATERIAL ANALYZER
- HP 4338A MILLION OHM METER
- HP 6632A DC POWER SUPPLY
- HP4284A PRECISION LCR METER

DRAWN BY :

ISAIAH MCNEIL

CHECKED BY :

TONY IMBURGIA

APPROVED BY :

JOE HUFF

9-11-01