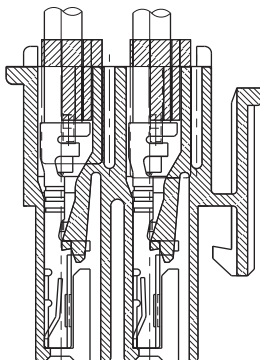
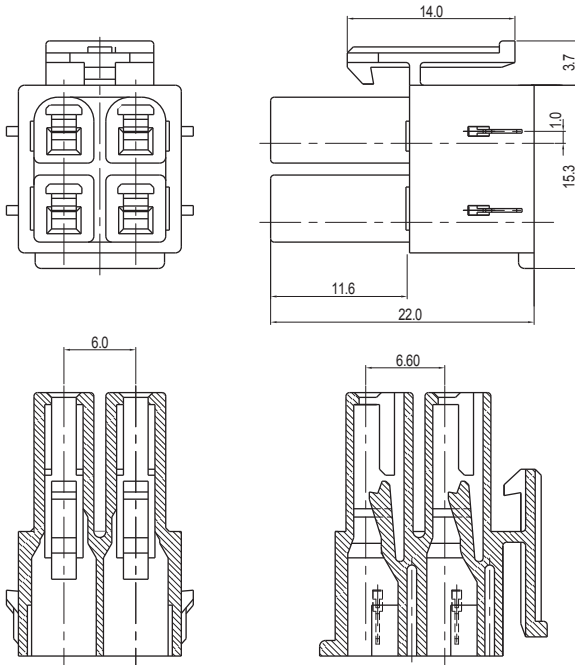
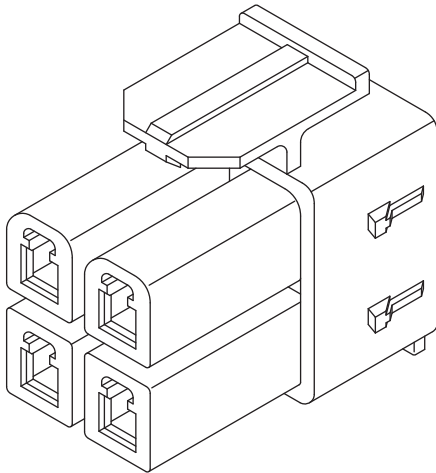


# 6.00mm (0.236") PITCH CONNECTOR

Wire-to-Board  
Housing

SMH600-NNB Series



TERMINAL ASSEMBLY DRAWING



AWG #14 ~ #22

## Material

I/NO	DESCRIPTION	TITLE	MATERIAL
1	HOUSING	SMH600-04B	PA66, PP UL 94V2 Grade

## Specification

ITEM	SPEC
Voltage Rating	AC/DC 250V
Current Rating	AC/DC 15A
Operating Temperature	-25°C ~ +85°C
Contact Resistance	30mΩ MAX
Withstanding Voltage	AC1500V/1min
Insulation Resistance	1000MΩ MIN
Applicable Wire	AWG #14~#22
Applicable P.C.B	-
Applicable FPC/FFC	-
Solder Height	-
Crimp Tensile Strength	-
UL FILE NO	-

Application Terminal : SMT603B-L (221 page)