

PLEASE CHECK WWW.MOLEX.COM FOR LATEST PART INFORMATION

Part Number: [1050206003](#)
Status: **Active**
Overview: [displayport](#)
Description: 0.50mm (.020") Pitch DisplayPort* Male Receptacle, Right Angle, Through Hole, DIP Type, Gold (Au) Flash Plating, Solder-tail Length 1.80mm (.071"), 20 Circuits, Leadfree

Documents:

[3D Model](#) [Product Specification PS-47272-001 \(PDF\)](#)
[Drawing \(PDF\)](#) [RoHS Certificate of Compliance \(PDF\)](#)

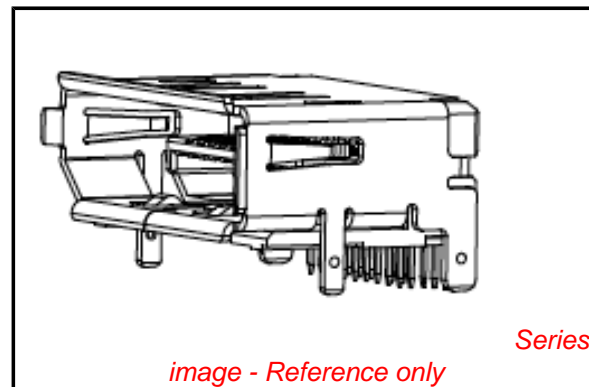
General

Product Family	I/O Connectors
Series	105020
Application	Wire-to-Board
Comments	Without Flange. Without Cover
Component Type	Receptacle
Overview	displayport
Product Name	DisplayPort*
Type	N/A

Physical

Boot Color	N/A
Circuits (Loaded)	20
Circuits (maximum)	20
Color - Resin	Black
Gender	Male
Keying to Mating Part	Yes
Lock to Mating Part	Yes
Material - Metal	Copper Alloy
Material - Plating Mating	Gold
Material - Plating Termination	Tin-Bismuth
Material - Resin	High Temperature Thermoplastic
Number of Rows	2
Orientation	Right Angle
PCB Locator	No
PCB Retention	Yes
PCB Thickness Recommended (in)	0.055 In
PCB Thickness Recommended (mm)	1.40 mm
Packaging Type	Embossed Tape on Reel
Panel Mount	Without Flange
Pitch - Mating Interface (in)	0.039 In
Pitch - Mating Interface (mm)	0.50 mm
Pitch - Term. Interface (in)	0.039 In
Pitch - Term. Interface (mm)	0.50 mm
Plating min: Mating (µin)	2
Plating min: Mating (µm)	0.05
Plating min: Termination (µin)	40
Plating min: Termination (µm)	1
Polarized to Mating Part	Yes
Polarized to PCB	Yes
Ports	1
Temperature Range - Operating	-20°C to +85°C
Termination Interface: Style	Through Hole
Waterproof / Dustproof	No

Electrical



EU RoHS

**ELV and RoHS
Compliant**

REACH SVHC

Contains SVHC: No

Halogen-Free

Status

Halogen-Free

China RoHS



**Need more information on product
environmental compliance?**

Email productcompliance@molex.com
 For a multiple part number RoHS Certificate of Compliance, [click here](#)

Please visit the [Contact Us](#) section for any non-product compliance questions.

Search Parts in this Series

[105020Series](#)

Current - Maximum per Contact	0.5A
Grounding to Panel	Yes
Shielded	Yes
Voltage - Maximum	40V AC

Solder Process Data

Duration at Max. Process Temperature (seconds)	3
Lead-free Process Capability	Reflow Capable (SMT only)
Max. Cycles at Max. Process Temperature	2
Process Temperature max. C	250

Material Info

Reference - Drawing Numbers

Packaging Specification	PK-105020-001
Product Specification	PS-47272-001
Sales Drawing	SD-105020-003

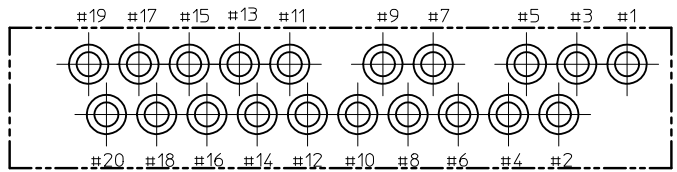
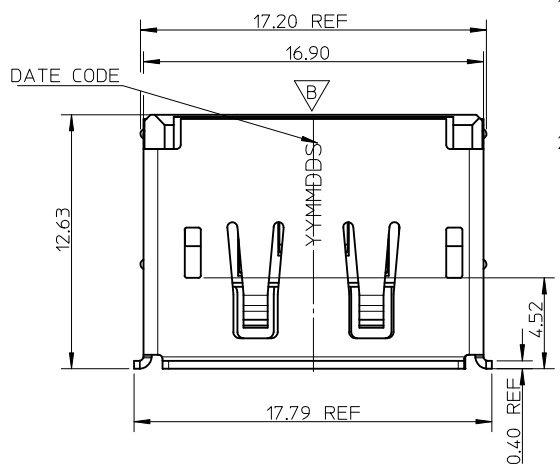
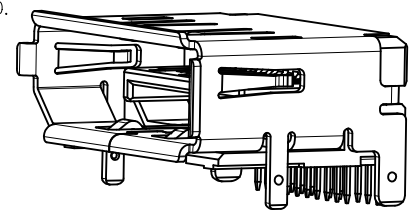
* DisplayPort is a Trademark of VESA

This document was generated on 05/31/2010

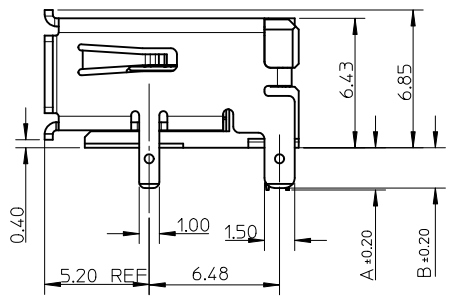
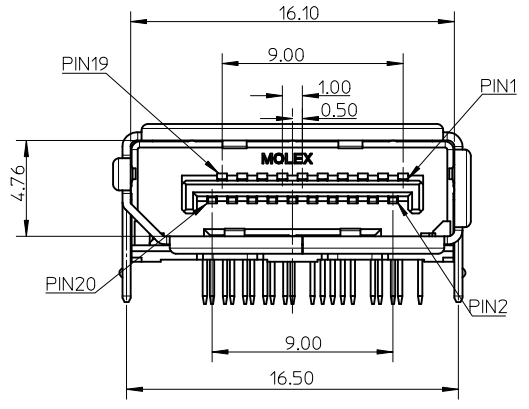
PLEASE CHECK WWW.MOLEX.COM FOR LATEST PART INFORMATION

NOTES:

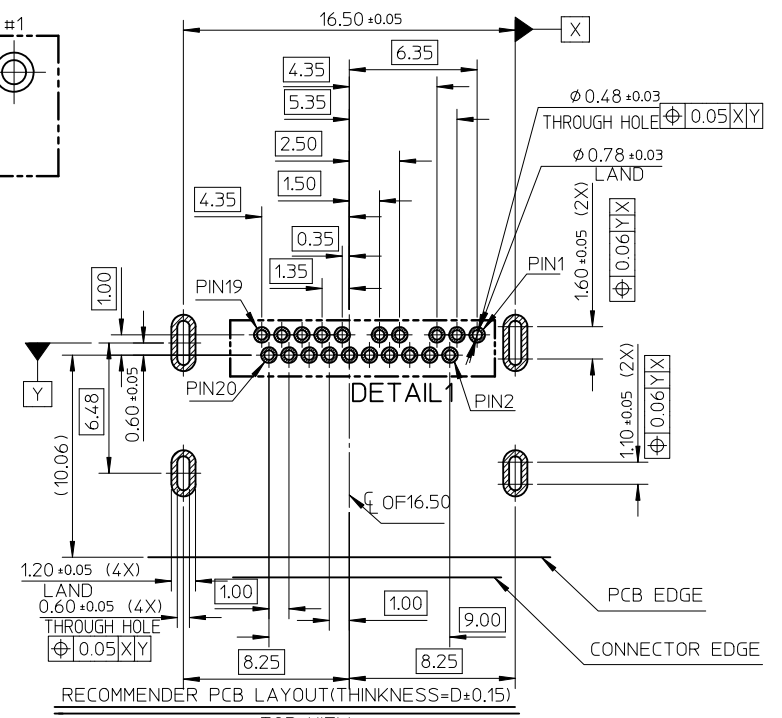
1. MATERIAL,
 HOUSING:HIGH TEMPERATURE THERMAL PLASTIC BLACK 30% GLASS FILLED,UL94V-0.
 GUIDE:HIGH TEMPERATURE THERMAL PLASTIC BLACK 30% GLASS FILLED,UL94V-0.
 TERMINAL: COPPER ALLOY
 SHELL: COPPER ALLOY
- 2.PLATING:
 TERMINAL:CONTACT AREA (10.76MICROMETER GOLD PLATING
 (2) GOLD FLASH PLATING
 AND SOLDER TAIL 1~3MICROMETER TIN BISMUTH
 UNDER PLATING 1~3 MICROMETER NICKEL PLATING OVERALL
 SHELL:1.27~2.54 MICROMETER SOLDERABLE NICKEL PLATING OVERALL
3. PRODUCT COMPLANT TO ROHS DIERTIVE 2002/95/EC AND ELV DIRECTIVE 2000/53/EC
4. THIS SYMBOL ARE AS DIFFERENT PART NUMBER MARK



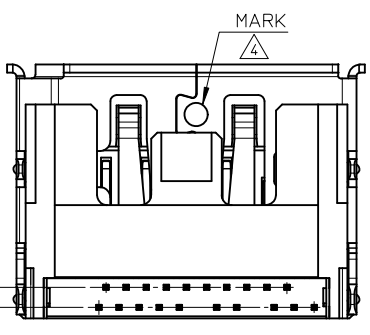
DETAIL 1



P/N	DATA(mm)	A	B	D	PLATING
105020-6001		1.8	1.7	1.4	NOTES2(1)
105020-6002		1.6	1.5	1.2	
105020-6003		1.8	1.7	1.4	NOTES2(2)
105020-6004		1.6	1.5	1.2	



TOP VIEW



REVISED EC NO: SH2010-0424 DRW: HHE CHK: FYANG05 APPR: RZHANG 2010/05/12 2010/05/17 2010/06/14	QUALITY SYMBOLS ▽=0 ◻=0	GENERAL TOLERANCES (UNLESS SPECIFIED) mm INCH 4 PLACES ± --- ± --- 3 PLACES ± --- ± --- 2 PLACES ± 0.25 ± --- 1 PLACE ± 0.25 ± --- ANGULAR ± 2 °	DIMENSION STYLE MM ONLY	SCALE 4:1	DESIGN UNITS METRIC	THIRD ANGLE PROJECTION	
	DRAFT WHERE APPLICABLE MUST REMAIN WITHIN DIMENSIONS	DRAWN BY HHE DATE 2009-01-19	CHECKED BY RZHANG DATE 2009-01-19	APPROVED BY HWWANG DATE 2009-01-19	TITLE 1.0MM PITCH DIP TYPE DISPLAY PORT HEADER -LEAD FREE-		
	MATERIAL NO. SEE CHART	MOLEX INCORPORATED			DOCUMENT NO. SD-105020-003	SHEET NO. 1 OF 1	
	THIS DRAWING CONTAINS INFORMATION THAT IS PROPRIETARY TO MOLEX INCORPORATED AND SHOULD NOT BE USED WITHOUT WRITTEN PERMISSION						