

# ADSL over POTs CO MAGNETICS

S560-6600-LP

## ELECTRICAL CHARACTERISTICS (@25°C)

NOMINAL TURNS RATIO:  
(8-6) : (1-4) 1 : 0.9

CONNECT TERMINALS 2 TO 3 & 5 TO 7

DC RESISTANCE:  
(1-4) 1.5 Ω MAX  
(8-6) 1.6 Ω MAX

CONNECT TERMINALS 2 TO 3 & 5 TO 7

INDUCTANCE @ 10 kHz, 0.1 V<sub>rms</sub>:  
(1-4) 1 mH ±6.7%

CONNECT TERMINALS 2 TO 3

LEAKAGE INDUCTANCE:  
(1-4) 6 μH MIN - 10μH MAX

CONNECT TERMINALS 2 TO 3 & 5 TO 7  
SHORT TERMINALS 5, 6, 7, & 8

DIRECT CAPACITANCE:  
BETWEEN (1-4) & (8-6) 30 pF MAX

CONNECT TERMINALS 2 TO 3 & 5 TO 7

TOTAL HARMONIC DISTORTION -85 dB MAX  
12 V<sub>pp</sub>, 150kHz, 100Ω LINE AND 123.5Ω LOAD.

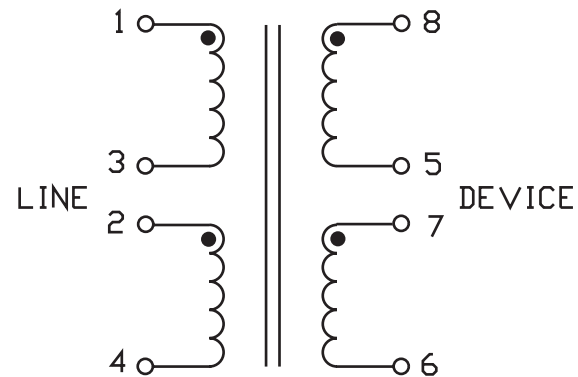
MINIMUM DIELECTRIC RATING:  
BETWEEN (1-4) & (8-6) 1875 VAC

CONNECT TERMINALS 2 TO 3 & 5 TO 7

DESIGNED TO MEET UL1950 AND EN60950  
FUNCTIONAL INSULATION WITH 250 VAC WORKING VOLTAGE.

OPERATING TEMPERATURE RANGE: -40°C TO +85°C

## SCHEMATIC

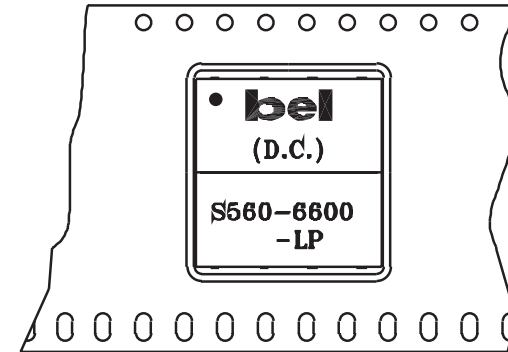
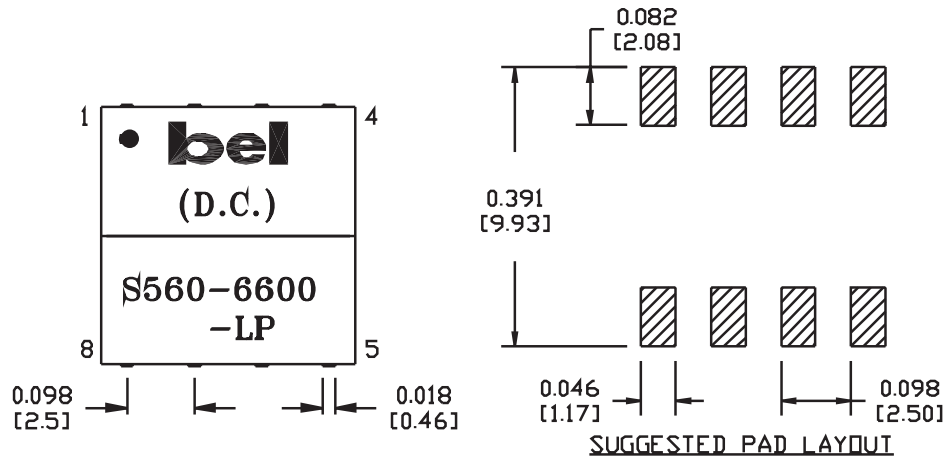


LONGITUDINAL BALANCE: 45 dB  
20kHz - 2.2 MHz



# ADSL over POTs CO MAGNETICS

S560-6600-LP



➔ USER FEED DIRECTION

**ORIENTATION OF COMPONENT INSIDE POCKET**

TAPE WIDTH	24MM
POCKET PITCH	20MM
QUANTITY OF COMPONENTS PER REEL	200
PLASTIC REEL OUTER DIAMETER	13 INCHES
PLASTIC REEL HUB DIAMETER	4 INCHES

