

PLEASE CHECK WWW.MOLEX.COM FOR LATEST PART INFORMATION

Part Number: [0039014037](#)
Status: **Active**
Overview: [minifit_jr](#)
Description: 4.20mm (.165") Pitch Mini-Fit Jr.™ Plug Housing, Single Row, without Panel Mount Ears, PA Polyamide Nylon 6/6, UL 94V-0, 3 Circuits

Documents:

[3D Model](#) [Product Specification PS-5556-001 \(PDF\)](#)
[Drawing \(PDF\)](#) [RoHS Certificate of Compliance \(PDF\)](#)

Agency Certification

CSA	LR19980
TUV	R72081037
UL	E29179

General

Product Family	Crimp Housings
Series	5559
Comments	Current = 13A max. per circuit when header is mated to a receptacle loaded with 45750 series terminals crimped to 16 AWG wire. . See Molex product specification PS-45750-001 for additional current derating information.. Glow Wire Equivalent Part Number 50291663
Overview	minifit_jr
Product Name	Mini-Fit Jr.™

Physical

Breakaway	No
Circuits (maximum)	3
Color - Resin	Natural
Flammability	94V-0
Gender	Male
Glow-Wire Compliant	No
Keying to Mating Part	None
Lock to Mating Part	Yes
Material - Resin	Nylon
Number of Rows	1
Packaging Type	Bag
Panel Mount	No
Pitch - Mating Interface (in)	0.165 In
Pitch - Mating Interface (mm)	4.20 mm
Pitch - Term. Interface (in)	0.165 In
Pitch - Term. Interface (mm)	4.20 mm
Polarized to Mating Part	Yes
Stackable	No
Temperature Range - Operating	-40°C to +105°C

Electrical

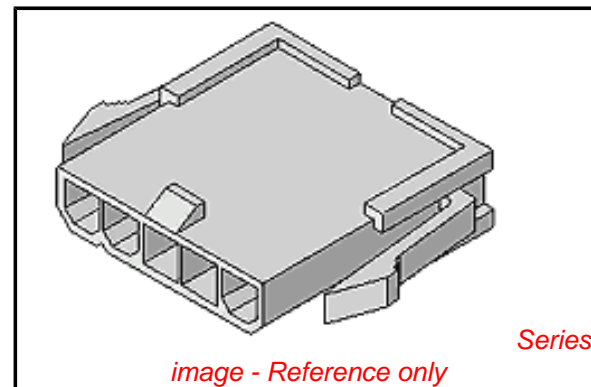
Current - Maximum per Contact	13A
-------------------------------	-----

Material Info

Old Part Number	5559-03P3-210
-----------------	---------------

Reference - Drawing Numbers

Packaging Specification	PK-5559-003
Product Specification	PS-5556-001



EU RoHS

ELV and RoHS Compliant

REACH SVHC

Not Reviewed

Halogen-Free

Status

Halogen-Free

Need more information on product environmental compliance?

Email productcompliance@molex.com
 For a multiple part number RoHS Certificate of Compliance, [click here](#)

Please visit the [Contact Us](#) section for any non-product compliance questions.

China RoHS



Search Parts in this Series

[5559Series](#)

Mates With

[39-01-4031](#) Receptacle Housing

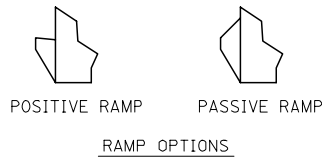
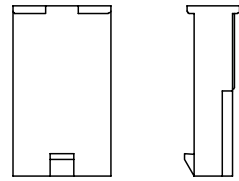
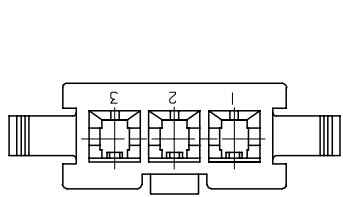
Use With

[5558](#) Mini-Fit Jr.™ Male Crimp Terminals.
[44478](#) Mini-Fit HCS™ Male Crimp Terminals.
[30490](#) Mini-Fit® Male Grounding Crimp Terminals

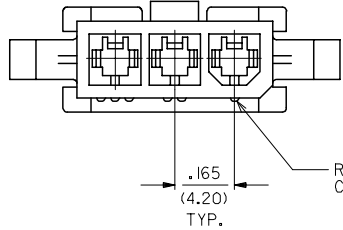
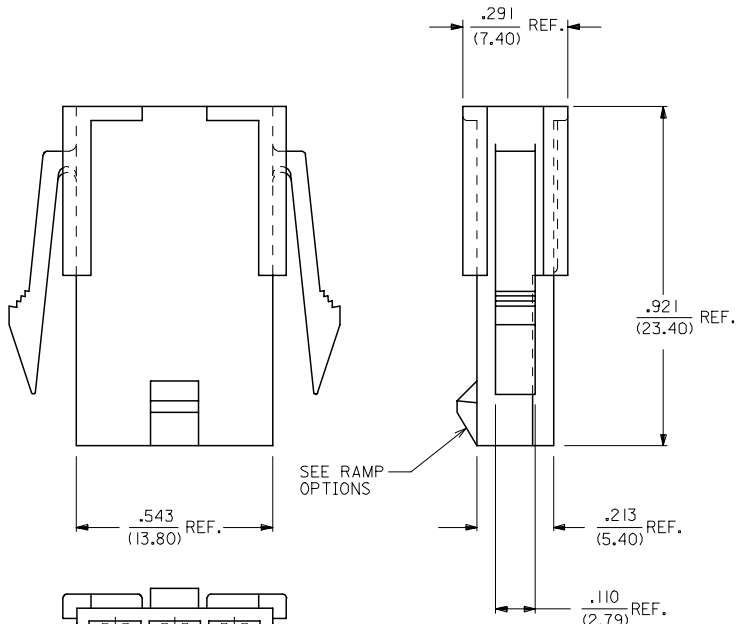
This document was generated on 05/19/2010

PLEASE CHECK WWW.MOLEX.COM FOR LATEST PART INFORMATION

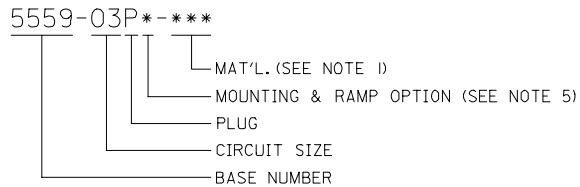
13 12 11 10 9 8 7 6 5 4 3 2 1



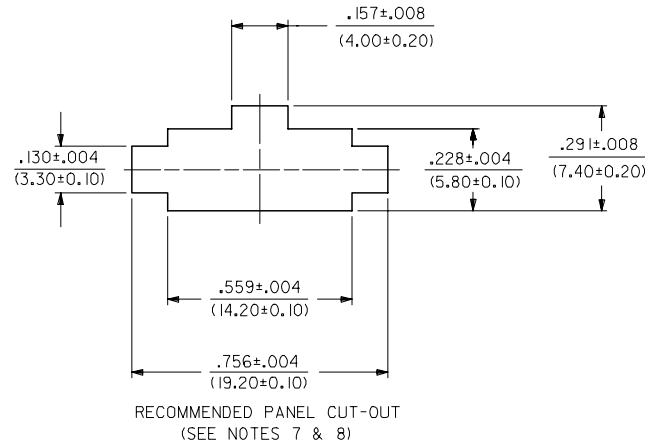
5559-03P3-***
WITHOUT MOUNTING EARS



LEGEND



PART NO.	ENG. NO.	CKT. NO.	MOUNT OPTION	MAT'L.	RAMP OPTION
39-01-4032	5559-03P2	3	2	BLANK	POSITIVE
39-01-4033	5559-03P2-2IO	3	2	2IO	POSITIVE
39-01-4036	5559-03P3	3	3	BLANK	POSITIVE
39-01-4037	5559-03P3-2IO	3	3	2IO	POSITIVE
39-01-6030	5559-03P2-BL	3	2	BL	POSITIVE
39-01-6031	5559-03P3-BL	3	3	BL	POSITIVE
50-29-0088	5559-03P4	3	4	BLANK	PASSIVE
50-29-0089	5559-03P5	3	5	BLANK	PASSIVE
50-29-0091	5559-03P4-2IO	3	4	2IO	PASSIVE
50-29-0092	5559-03P5-2IO	3	5	2IO	PASSIVE
50-29-0093	5559-03P4-BL	3	4	BL	PASSIVE
50-29-0094	5559-03P5-BL	3	5	BL	PASSIVE



NOTES:

- MATERIAL; BLANK=NYLON 6/6, UL 94V-2, COLOR: NATURAL.
2IO=NYLON 6/6, UL 94V-0, COLOR: NATURAL.
BL=NYLON 6/6, UL 94V-2, COLOR: DYED BLACK.
- THIS PART IS FOR USE WITH MOLEX MALE TERMINAL NO. 5558-**.
- THIS PART MATES WITH RECEPTACLE NO 5557.
- PART IS DESIGNED IN METRIC.
- MOUNTING & RAMP OPTION: 2 = WITH EARS, WITH POSITIVE RAMP
3 = WITHOUT EARS, WITH POSITIVE RAMP
4 = WITH EARS, WITH PASSIVE RAMP
5 = WITHOUT EARS, WITH PASSIVE RAMP
- PRODUCT SPECIFICATION: PS-5556-001
- PANEL MOUNT VERSION IS FOR USE WITH .031/.079/(0.80/2.00) THICK PANELS.
- PANEL SHOULD BE PUNCHED IN THE DIRECTION OF CONNECTOR INSERTION.

DELETED 225 MATL. EC NO: UCP2005-0704 DRWNLSTEWART 2004/11/11 CHKDMARGULIS 2004/11/15 APPR: YMARGULLI 2004/11/15	QUALITY SYMBOLS 	GENERAL TOLERANCES (UNLESS SPECIFIED) <table border="1"> <tr><th colspan="2">mm</th><th colspan="2">INCH</th></tr> <tr><td>4 PLACES</td><td>± .---</td><td>± .---</td><td>± .---</td></tr> <tr><td>3 PLACES</td><td>± .---</td><td>± .010</td><td>± .---</td></tr> <tr><td>2 PLACES</td><td>± 0.25</td><td>± .015</td><td>± .---</td></tr> <tr><td>1 PLACE</td><td>± 0.38</td><td>± .---</td><td>± .---</td></tr> </table> ANGULAR ±1/2°	mm		INCH		4 PLACES	± .---	± .---	± .---	3 PLACES	± .---	± .010	± .---	2 PLACES	± 0.25	± .015	± .---	1 PLACE	± 0.38	± .---	± .---	DIMENSION STYLE IN/MM	SCALE 4:1	DESIGN UNITS INCH	THIRD ANGLE PROJECTION
	mm		INCH																							
4 PLACES	± .---	± .---	± .---																							
3 PLACES	± .---	± .010	± .---																							
2 PLACES	± 0.25	± .015	± .---																							
1 PLACE	± 0.38	± .---	± .---																							
DRAWN BY GEP DATE 7/11/90	CHECKED BY RJF DATE 7/11/90	APPROVED BY RAS DATE 7/11/90	MATERIAL NO. SEE CHART	DOCUMENT NO. SD-5559-03P*	SHEET NO. 1 OF 1	MINI-FIT JR. SERIES, 3 CKT. PLUG. MOLEX INCORPORATED																				

12 11 10 9 8 7 6 5 4 3 2 1