

PLEASE CHECK WWW.MOLEX.COM FOR LATEST PART INFORMATION

Part Number: **0510481210**
Status: **Active**
Description: 2.00mm (.079") Pitch Cable Holder, Vertical, Low Profile, for Ribbon Cable, 12 Circuits

Documents:

[Drawing \(PDF\)](#) [RoHS Certificate of Compliance \(PDF\)](#)

General

Product Family	Ribbon Cable / Wire Trap Connectors
Series	51048
Component Type	One Piece
Glow-Wire Compliant	No
Product Name	Board-In, Cable Holder

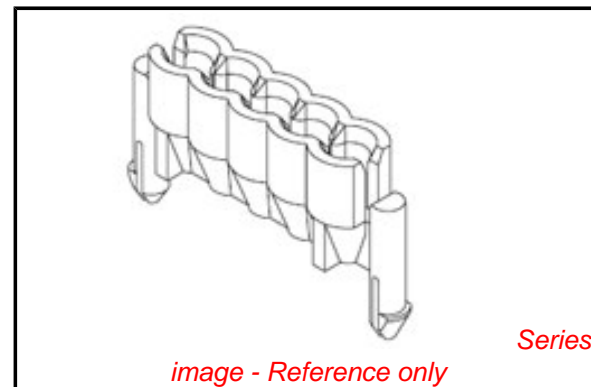
Physical

Circuits (Loaded)	12
Color - Resin	Natural
Entry Angle	Vertical
Lock to Mating Part	None
Material - Resin	Nylon
Number of Rows	1
PCB Retention	Yes
PCB Thickness Recommended (in)	0.062 In
PCB Thickness Recommended (mm)	1.60 mm
Packaging Type	Bag
Pitch - Mating Interface (in)	0.079 In
Pitch - Mating Interface (mm)	2.00 mm
Polarized to Mating Part	N/A
Polarized to PCB	No
Stackable	No
Surface Mount Compatible (SMC)	No
Temperature Range - Operating	-40°C to +105°C
Wire Insulation Diameter	1.60mm (.063") max.
Wire Size AWG	26
Wire/Cable Type	Ribbon Cable

Electrical

Current - Maximum per Contact	N/A
Voltage - Maximum	N/A

Material Info



EU RoHS

**ELV and RoHS
Compliant**
**REACH SVHC
Contains SVHC: No**
**Halogen-Free
Status
Not Reviewed**

China RoHS



**Need more information on product
environmental compliance?**

Email productcompliance@molex.com
 For a multiple part number RoHS Certificate of
 Compliance, [click here](#)

Please visit the [Contact Us](#) section for any
 non-product compliance questions.

Search Parts in this Series

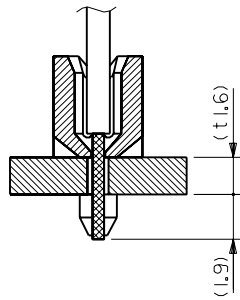
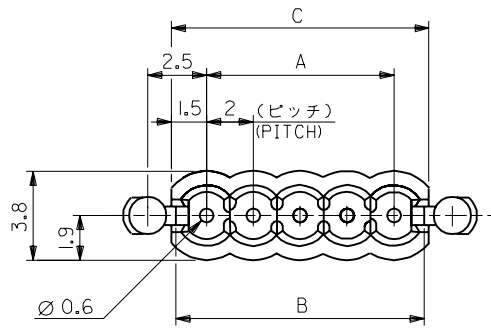
51048Series

Mates With

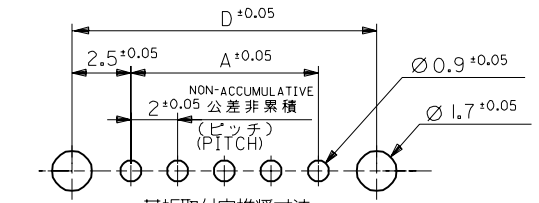
N/A

Use With

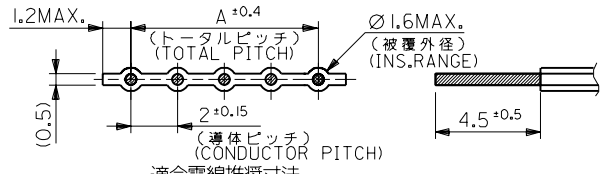
Topcoated ribbon cable



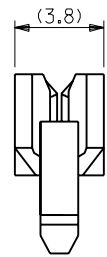
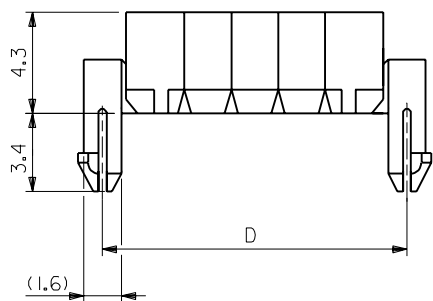
電線挿入図
SECT.(CABLE ASS'Y)



基板取付穴推奨寸法
RECOMMENDED P.C.BOARD HOLE DIM.
(t=1.6±0.05)



適合電線推奨寸法
RECOMMENDED WIRE DIM.



注記
NOTES

- 材料：ナイロン66、UL94V-0
MATERIAL : NYLON66 , UL94V-0
- 適合電線：2mmピッチリボンケーブル
AWG#26錫コート平行線
APPLICABLE WIRE : 2mm PITCH
RIBBON CABLE WIRE
AWG#26, TOP COATED WIRE

37	35	34.6	32	51048 -1710	17
35	33	32.6	30	↑ -1610	16
33	31	30.6	28	-1510	15
31	29	28.6	26	-1410	14
29	27	26.6	24	-1310	13
27	25	24.6	22	-1210	12
25	23	22.6	20	-1110	11
23	21	20.6	18	-1010	10
21	19	18.6	16	-0910	9
19	17	16.6	14	-0810	8
17	15	14.6	12	-0710	7
15	13	12.6	10	-0610	6
13	11	10.6	8	-0510	5
11	9	8.6	6	-0410	4
9	7	6.6	4	↓ -0310	3
7	5	4.6	2	51048 -0210	2
D	C	B	A	ENG. NO.	種数 CKTS.

角度 ANGLE	±3°				
30以上 OVER	+0.3	A	変更 REVISED (J20153)	K.T.	H.H. '92/2/26
10以上 30未満 OVER UNDER	+0.25	O	発行/発行中止 RELEASED (J90742)	H.S.	Y.Y. '89/9/14
10未満 UNDER	+0.2	記号 LTR	変更内容 REVISION RECORD	DR. CHK.	日付 DATE
一般公差 GENERAL TOLERANCES			REVISE ONLY ON CAD SYSTEM		

材料 MATERIAL	注記参照 SEE NOTE 1.
仕上げ FINISH	//
適用電線範囲 WIRE RANGE	注記参照 SEE NOTE 2.
被覆外径 INS. RANGE	φ1.6 MAX.
DRAWN BY H.SEKINE	'89/9/14
CHK'D BY	
APP'D BY	尺度 SCALE 5 - 1

MOLEX MOLEX-JAPAN CO.,LTD. 日本モレックス株式会社	
EDP NO.	
ENG. NO.	REV
SD-51048-**-10	A
TITLE 名称 2.0 mm PITCH CABLE HOLDER (FOR 4.5 mm STRIP LENGTH)	