

Piezoelectric Ultrasonic Transducer: ZUT Series



■ Features

1. High mechanical Q and excellent electro-acoustic conversion efficiency provide high output amplitude.
2. High speed vibration of piezoelectric elements
3. Extended temperature range of THINKING ceramics ensures good amplitude linearity.
4. Fast and easy installation and high reliability of bolt-on mounting.

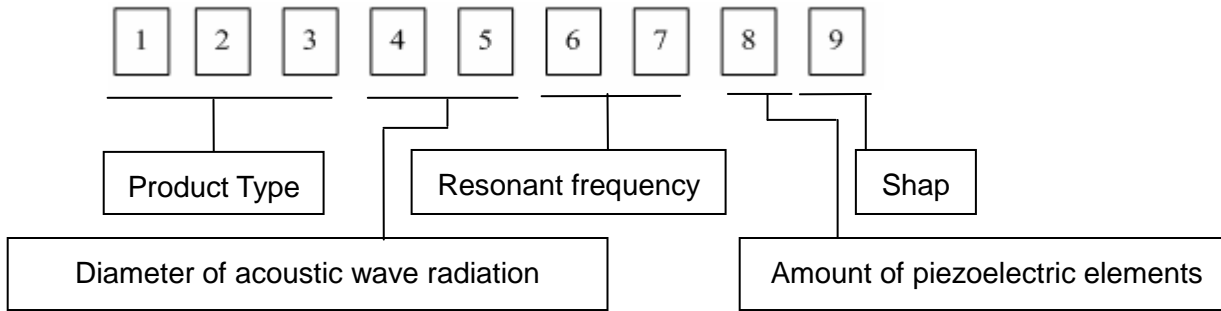


■ Recommended Applications

1. Cleaning Equipment

■ Part Number Information

☆ ZUT Series:



Example:

ZUT 45 28 2 S
 (1) (2) (3) (4) (5)

No.	Code Order	Item	Content	Specification
(1)	1~3	Product Type	ZUT	THINKING piezoelectric ultrasonic transducers
(2)	4~5	Diameter of acoustic wave radiation	45	45 = Diameter of acoustic wave radiation (Φ=45mm)
(3)	6~7	Resonant frequency	28	28 kHz
(4)	8	Amount of piezoelectric elements	2	2 = 2 piezoelectric elements
(5)	9	Shape	S	Output surface has straight and horn shapes S = Straight construction H = Horn construction

■ Specifications

Item	Unit	Type	
		ZUT45282S	ZUT45402H
Resonant frequency	fo (kHz)	28.0	40.0
Static capacitance	pF	3800	3800
Maximum allowable power	P(W)	50	50
Resonance resistance	Ω	<30	<30
Shape		S = Straight	H = Horn