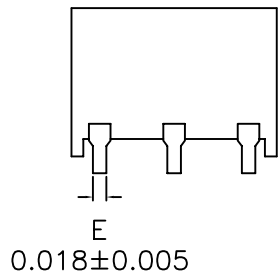
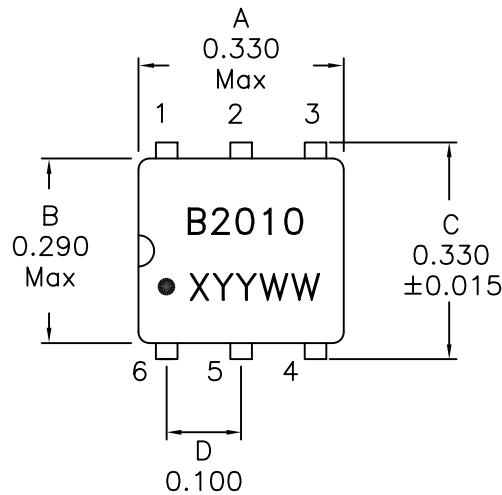


1. Mechanical Dimensions:

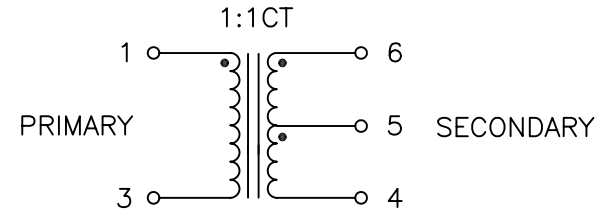
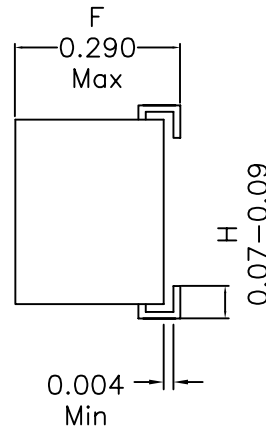


(SIDE VIEW)

Notes:

1. Solderability: Leads shall meet MIL-STD-202G, Method 208H for solderability.
2. Flammability: UL94V-0
3. ASTM oxygen index: > 28%
4. Insulation System: Class F 155°C. UL file E151556
5. Operating Temperature Range: All listed parameters are to be within tolerance from -40°C to +85°C
6. Storage Temperature Range: -55°C to +125°C
7. Aqueous wash compatible
8. SMD Lead Coplanarity: ±0.004*(0.102mm)
9. Electrical and mechanical specifications 100% tested
10. RoHS Compliant Component

2. Schematic:



3. Electrical Specifications: @25°C

ISOLATION: 300VAC (PRI TO SEC)

TURNS RATIO: (1-3):(6-4)=1:1CT

OCL: 780uH Min @100KHz 50mV

Q: 8 Min @10KHz 50mV

DCR: 0.320 Ohms Max

LL: Pins 6-4 0.5uH Max @100KHz 50mV, short Pri

CW/W: 25pF Max @100KHz 50mV, Pri/Sec

Freq. Bandwidth: 3.0dB Typ. 0.0035-125MHz

Insertion Loss: 0.2dB Max

Idc: 250mA

DOC. REV. A/8

XFMRs Inc www.XFMRs.com	Title: RF TRANSFORMER		
	UNLESS OTHERWISE SPECIFIED TOLERANCES: .xxx ±0.010 Dimensions in Inch		P/N: XFWB2010
SHEET 1 OF 1	DWN.	Feng	May-18-11
	CHK.	YK Liao	May-18-11
	APP.	BW	May-18-11