

**PLEASE CHECK WWW.MOLEX.COM FOR LATEST PART INFORMATION**

**Part Number:** [1200660883](#)  
**Status:** **Active**  
**Overview:** [microchange m12 connectors](#)  
**Description:** Micro-Change® (M12) 4 Pole, Female (Straight) to Male (Straight) Cordset, 4-18 AWG TPE Cable, 2.0M (6.56' )

**Documents:**

[Drawing \(PDF\)](#) [RoHS Certificate of Compliance \(PDF\)](#)

**Agency Certification**

CSA LR6837  
 UL E152210

**General**

Product Family Industrial Cordsets  
 Series [120066](#)  
 Connector End A Micro-Change® (M12)  
 Connector End B Micro-Change® (M12)  
 IP Rating IP68  
 NEMA Rating NEMA 6  
 Overview [microchange m12 connectors](#)  
 Product Name Micro-Change® (M12)  
 Type Double Ended

**Physical**

Cable Diameter 7.14mm (.281")  
 Cable Length 2.0m (6.56' )  
 Color - Cable Jacket Yellow  
 Coupling Style Threaded  
 Gender Female-Male  
 Keyway Single  
 LED Indicator No  
 Material - Cable Jacket TPE  
 Material - Connector Body TPE  
 Material - Contact Copper  
 Material - Coupling Nut Teflon Nickel-plated Brass  
 Material - O-Ring Viton  
 Material - Plating Mating Gold over Nickel  
 Orientation Straight  
 Poles 4  
 Temperature Range - Operating -20°C to +105°C  
 Wire Size AWG 18  
 Wire/Cable Type UL 2250

**Electrical**

Current - Maximum per Contact 4A  
 Voltage - Maximum 250V AC/DC

**Material Info**

Old Part Number 884030K03M020

**Reference - Drawing Numbers**

Sales Drawing SD-120066-020

**EU RoHS**

**ELV and RoHS  
 Compliant  
 REACH SVHC  
 Not Reviewed  
 Halogen-Free  
 Status**

**China RoHS**



**Not Reviewed**

**Need more information on product environmental compliance?**

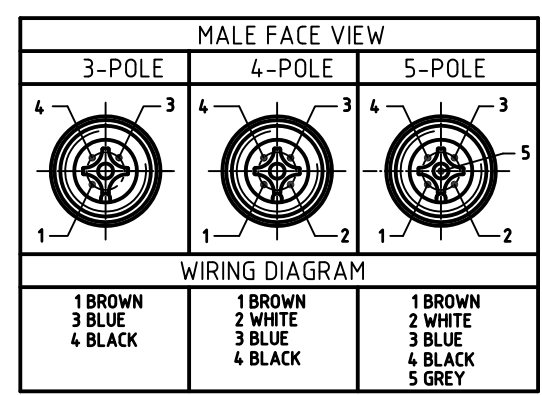
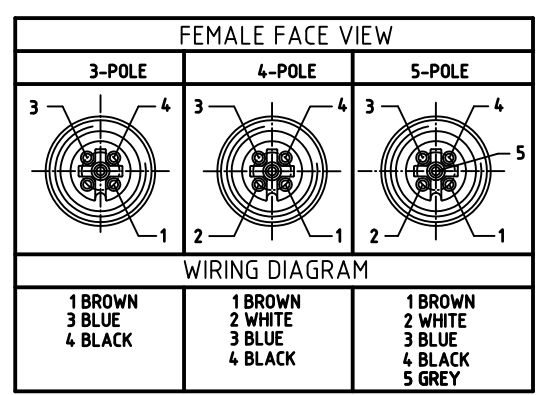
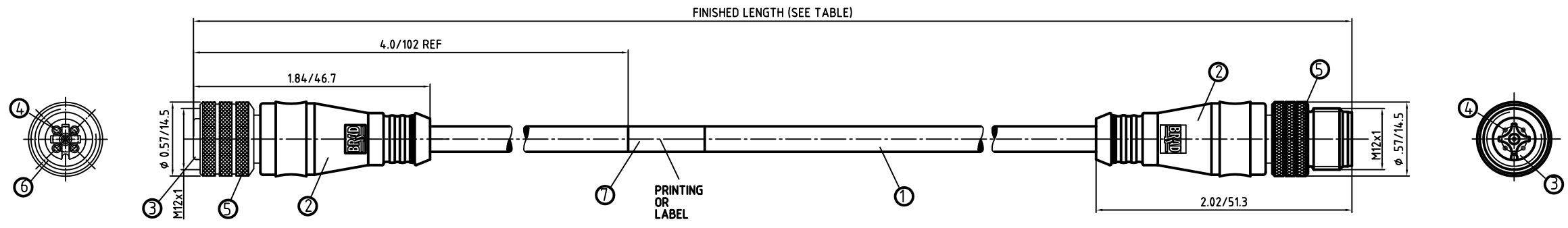
Email [productcompliance@molex.com](mailto:productcompliance@molex.com)  
 For a multiple part number RoHS Certificate of Compliance, [click here](#)

Please visit the [Contact Us](#) section for any non-product compliance questions.

**Search Parts in this Series**

[120066Series](#)

**PLEASE CHECK [WWW.MOLEX.COM](http://WWW.MOLEX.COM) FOR LATEST PART INFORMATION**



**CONNECTOR SPECIFICATION:**

VOLTAGE RATING	250 VAC/VDC
AMPERAGE RATING	max. 4 AMPS
PROTECTION	IP67
OPERATING TEMPERATURE	-20°C TO 105°C
ASSEMBLY IS RoHS COMPLIANT	

ITEM	COMPONENT	MATERIAL	FINISH
7	LABLE	MYLAR	BLACK/YELLOW
6	O-RING	VITON	RED
5	COUPLER	BRASS	TEFLON/NICKEL
4	SOCKET/PIN CONTACT	COPPER ALLOY	GOLD OVER NICKEL
3	INSERT	PUR	BLACK
2	OVERMOLD	TPE	YELLOW
1	CABLE- #18/3-5 (COPPER STRANDING) 3/4/5 CONDUCT. 300V	JACKET: TPE	JACKET: YELLOW

DESCRIPTION EC NO: WEU2010-0317 DRWN: LSTEMMLE 2010/02/01 CHK'D: NS APPR: FPACHER 2010/02/03	QUALITY SYMBOLS ▽ = 0 ▽/C = 0	GENERAL TOLERANCES (UNLESS SPECIFIED) mm    INCH 4 PLACES ±--- ±--- 3 PLACES ±--- ±--- 2 PLACES ±--- ±.01 1 PLACE ±0.3 ±--- ANGULAR ± --- °	DIMENSION STYLE IN/MM DRAWN BY DATE LSTEMMLE 2010/02/01 CHECKED BY DATE RE 2010/02/02 APPROVED BY DATE FPACHER 2010/02/03	SCALE 1:1 DESIGN UNITS METRIC THIRD ANGLE PROJECTION	MICRO-CHANGE CORDSET 3/4/5 P. FE STR/ MA STR 18/3-5 YELLOW TPE CABLE
	DRAFT WHERE APPLICABLE MUST REMAIN WITHIN DIMENSIONS		SEE TABLE SHEET 2	MATERIAL NO. SD-120066-020	MOLEX INCORPORATED
	SIZE A3		THIS DRAWING CONTAINS INFORMATION THAT IS PROPRIETARY TO MOLEX INCORPORATED AND SHOULD NOT BE USED WITHOUT WRITTEN PERMISSION		
	1 REV		DOCUMENT NO. SD-120066-020		SHEET NO. 1 OF 1

10

9

8

7

6

5

4

3

2

1

POL	MATERIAL NUMBER	ENGINEERING NUMBER	FINISHED LENGTH
4	1200660878	884030K03M003	0.3M +44.5 -0 [0.99' +1.75" -0]
4	1200660880	884030K03M006	0.6M +44.5 -0 [1.97' +1.75" -0]
4	1200660881	884030K03M010	1.0M +55.6 -0 [3.27' +2.19" -0]
4	1200660882	884030K03M015	1.5M +55.6 -0 [4.91' +2.19" -0]
4	1200660883	884030K03M020	2.0M +88.9 -0 [6.56' +3.50" -0]
4	1200660887	884030K03M030	3.0M +88.9 -0 [9.84' +3.50" -0]
4	1200660891	884030K03M040	4.0M +165.1 -0 [13.12' +6.50" -0]
4	1200660895	884030K03M050	5.0M +165.1 -0 [16.40' +6.50" -0]
4	1200660898	884030K03M060	6.0M +165.1 -0 [19.69' +6.50" -0]
4	1200660899	884030K03M070	7.0M +165.1 -0 [22.96' +6.50" -0]
4	1200660900	884030K03M080	8.0M +317.5 -0 [26.25' +12.50' -0]
4	1200660901	884030K03M090	9.0M +317.5 -0 [29.43' +12.50' -0]
4	1200660902	884030K03M100	10.0M +317.5 -0 [32.81' +12.50' -0]
4	1200660903	884030K03M110	11.0M +317.5 -0 [36.08' +12.50' -0]
4	1200660904	884030K03M120	12.0M +317.5 -0 [39.37' +12.50' -0]
4	1200660905	884030K03M140	14.0M +317.5 -0 [45.91' +12.50' -0]
4	1200660906	884030K03M150	15.0M +622.3 -0 [49.21' +24.50" -0]
4	1200660907	884030K03M160	16.0M +622.3 -0 [52.48' +24.50" -0]
4	1200660908	884030K03M170	17.0M +622.3 -0 [55.75' +24.50" -0]
4	1200660909	884030K03M200	20.0M +622.3 -0 [65.62' +24.50" -0]
4	1200660885	884030K03M250	25.0M +622.3 -0 [82.02' +24.50" -0]
4	1200660886	884030K03M270	27.0M +622.3 -0 [88.56' +24.50" -0]
4	1200660888	884030K03M320	32.0M +622.3 -0 [104.97' +24.50" -0]
4	1200660889	884030K03M350	35.0M +622.3 -0 [114.83' +24.50" -0]
4	1200660890	884030K03M370	37.0M +622.3 -0 [121.37' +24.50" -0]
4	1200660893	884030K03M430	43.0M +622.3 -0 [141.06' +24.50" -0]
4	1200660894	884030K03M450	45.0M +622.3 -0 [147.60' +24.50" -0]
4	1200660896	884030K03M550	55.0M +622.3 -0 [180.41' +24.50" -0]
4	1200660897	884030K03M580	58.0M +622.3 -0 [190.22' +24.50" -0]

POL	MATERIAL NUMBER	ENGINEERING NUMBER	FINISHED LENGTH
5	1200661033	885030K03M006	.6M +44.5 -0 [1.97' +1.75" -0]
5	1200661034	885030K03M010	1.0M +55.6 -0 [3.27' +2.19" -0]
5	1200661035	885030K03M020	2.0M +88.9 -0 [6.56' +3.50" -0]
5	1200661036	885030K03M030	3.0M +88.9 -0 [9.84' +3.50" -0]
5	1200661037	885030K03M040	4.0M +165.1 -0 [13.12' +6.50" -0]
5	1200661038	885030K03M050	5.0M +165.1 -0 [16.40' +6.50" -0]
5	1200661039	885030K03M060	6.0M +165.1 -0 [19.69' +6.50" -0]
5	1200661040	885030K03M070	7.0M +165.1 -0 [22.96' +6.50" -0]
5	1200661041	885030K03M080	8.0M +317.5 -0 [26.25' +12.50' -0]
5	1200661042	885030K03M090	9.0M +317.5 -0 [29.43' +12.50' -0]
5	1200661043	885030K03M100	10.0M +317.5 -0 [32.81' +12.50' -0]
5	1200661044	885030K03M150	15.0M +622.3 -0 [49.21' +24.50" -0]

DESCRIPTION EC NO: WEU2010-0317 DRWN: LSTEMMLE 2010/02/01 CHKD: NS APPR: FPACHER 2010/02/03 REV 1	QUALITY SYMBOLS 	GENERAL TOLERANCES (UNLESS SPECIFIED) <table border="1"> <thead> <tr> <th></th> <th>mm</th> <th>INCH</th> </tr> </thead> <tbody> <tr><td>4 PLACES</td><td>±---</td><td>±---</td></tr> <tr><td>3 PLACES</td><td>±---</td><td>±---</td></tr> <tr><td>2 PLACES</td><td>±---</td><td>±.01</td></tr> <tr><td>1 PLACE</td><td>±0.3</td><td>±---</td></tr> <tr><td>ANGULAR</td><td>± --- °</td><td></td></tr> </tbody> </table>		mm	INCH	4 PLACES	±---	±---	3 PLACES	±---	±---	2 PLACES	±---	±.01	1 PLACE	±0.3	±---	ANGULAR	± --- °		DIMENSION STYLE <b>IN/MM</b> DRAWN BY DATE LSTEMMLE 2010/02/01 CHECKED BY DATE RE 2010/02/02 APPROVED BY DATE FPACHER 2010/02/03	SCALE 1:1 DESIGN UNITS METRIC 	MICRO-CHANGE CORDSET 3/4/5 P. FE STR/ MA STR 18/3-5 YELLOW TPE CABLE <b>MOLEX INCORPORATED</b> DOCUMENT NO. SD-120066-020 SHEET NO. 1 OF 1
		mm	INCH																				
	4 PLACES	±---	±---																				
	3 PLACES	±---	±---																				
2 PLACES	±---	±.01																					
1 PLACE	±0.3	±---																					
ANGULAR	± --- °																						
DRAFT WHERE APPLICABLE MUST REMAIN WITHIN DIMENSIONS		SEE TABLE	THIS DRAWING CONTAINS INFORMATION THAT IS PROPRIETARY TO MOLEX INCORPORATED AND SHOULD NOT BE USED WITHOUT WRITTEN PERMISSION																				
SIZE <b>A3</b>																							

10

9

8

7

6

5

4

3

2

1