

PLEASE CHECK WWW.MOLEX.COM FOR LATEST PART INFORMATION

Part Number: [0475968841](#)
Status: **Active**
Description: LGA 1156 ILM Assembly with Straight Lever, Lead-free, Halogen-free

Documents:

[Drawing \(PDF\)](#) [RoHS Certificate of Compliance \(PDF\)](#)
[Product Specification PS-47596-001 \(PDF\)](#)

General

| | |
|----------------|-------------------|
| Product Family | Processor Sockets |
| Series | 47596 |
| Component Type | ILM Assembly |
| Product Name | LGA1156 |

Physical

| | |
|--------------------------------|------------------------|
| Circuits (Loaded) | N/A |
| Durability (mating cycles max) | 20 |
| Material - Metal | Stainless Steel, Steel |
| Material - Plating Mating | Nickel |
| Packaging Type | Tray |
| Pitch - Mating Interface (in) | 0.000 In |
| Pitch - Mating Interface (mm) | 0.00 mm |
| Temperature Range - Operating | -25°C to +100°C |
| Termination Interface: Style | Screw or Lug |

Electrical

| | |
|-------------------------------|-----|
| Current - Maximum per Contact | N/A |
| Voltage - Maximum | N/A |

Solder Process Data

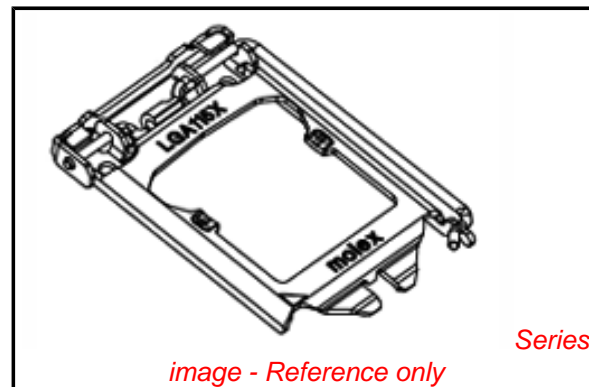
| | |
|--|---------------------------|
| Duration at Max. Process Temperature (seconds) | 3 |
| Lead-free Process Capability | Reflow Capable (SMT only) |
| Max. Cycles at Max. Process Temperature | 1 |
| Process Temperature max. C | 245 |

Material Info

Reference - Drawing Numbers

| | |
|-------------------------|--------------|
| Packaging Specification | PK-47596-005 |
| Product Specification | PS-47596-001 |
| Sales Drawing | SD-47596-102 |

Intel and Nehalem and relevant names are either trademarks or registered trademarks of Intel Corporation



EU RoHS

**ELV and RoHS
Compliant**
**REACH SVHC
Contains SVHC: No**
**Halogen-Free
Status**

China RoHS



**Need more information on product
environmental compliance?**

Email productcompliance@molex.com
For a multiple part number RoHS Certificate of Compliance, [click here](#)

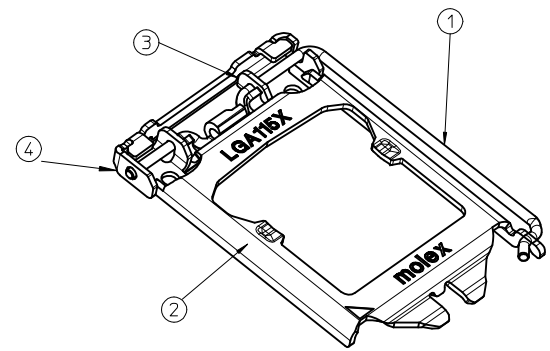
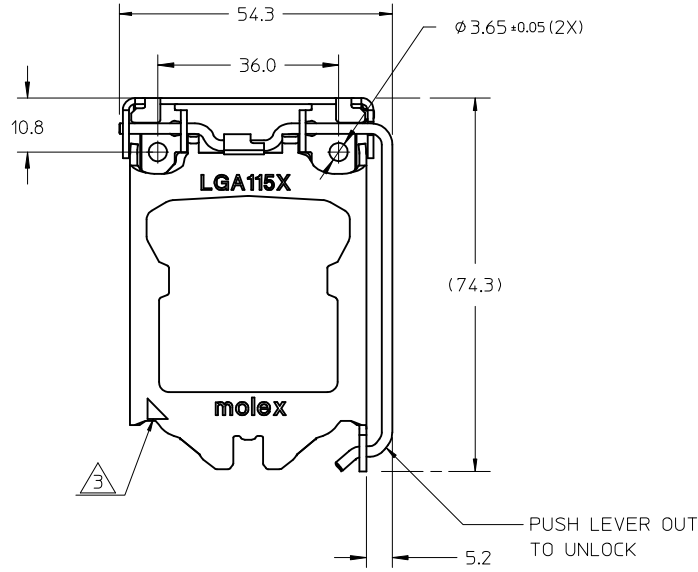
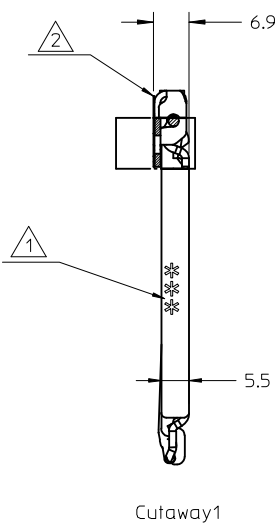
Please visit the [Contact Us](#) section for any non-product compliance questions.

Search Parts in this Series

47596Series

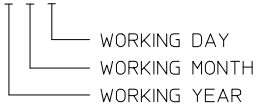
Mates With

Intel* Nehalem Processor



NOTES:

1. INK PRINTED DATE CODE: * * *



2. INSULATOR OVERHANG ILM FRAME.

3. AREA FILLED WITH BLACK INK

4. PART IS COMPLIANT TO RoHS DIRECTIVE 2002/95/EC AND ELV 2000/53/EC.

| BILL OF MATERIAL | | | |
|------------------|-----|-------------------------|---------------------------|
| ITEM No | QTY | DESCRIPTION | MATERIAL |
| | 1 | ILM TOP ASSY WITH SCREW | |
| 1 | 1 | ILM LEVER(STRAIGHT) | STAINLESS STEEL |
| 2 | 1 | ILM LOAD PLATE | STAINLESS STEEL |
| 3 | 1 | ILM FRAME | STEEL WITH NICKEL PLATING |
| 4 | 1 | ILM FRAME INSULATOR | POLYPROPYLENE SHEET |

| | |
|--------------------|------------|
| ENTER DESCRIPTION | 2009/09/25 |
| EC NO: SH2010-0085 | |
| DRWN: ZHANG11 | 2009/09/25 |
| CHKD: | |
| APPR: WEDENG | 2009/10/12 |
| REV | |

| QUALITY SYMBOLS |
|-----------------|
| $\nabla_F = 0$ |
| $\nabla_F = 0$ |
| $\nabla_F = 0$ |

| GENERAL TOLERANCES (UNLESS SPECIFIED) | |
|--|----------------------|
| | mm INCH |
| 4 PLACES | $\pm 0.10 \pm 0.004$ |
| 3 PLACES | $\pm 0.15 \pm 0.006$ |
| 2 PLACES | $\pm 0.20 \pm 0.008$ |
| 1 PLACE | $\pm 0.25 \pm 0.010$ |
| ANGULAR $\pm 1^\circ$ | |
| DRAFT WHERE APPLICABLE MUST REMAIN WITHIN DIMENSIONS | |

| DIMENSION STYLE | |
|-----------------|--------------|
| MM ONLY | |
| DRAWN BY | DATE |
| CHECKED BY | DATE |
| APPROVED BY | DATE |
| MATERIAL NO. | DOCUMENT NO. |
| SEE TABLE | |
| SIZE | A3 |

| SCALE | DESIGN UNITS | THIRD ANGLE PROJECTION |
|---|--------------|------------------------|
| 1:1 | METRIC | |
| TITLE: SOCKET 115X TOP ASSY | | |
| MOLEX INCORPORATED | | |
| MATERIAL NO. SD-47596-102 | | SHEET NO. 1 OF 1 |
| THIS DRAWING CONTAINS INFORMATION THAT IS PROPRIETARY TO MOLEX INCORPORATED AND SHOULD NOT BE USED WITHOUT WRITTEN PERMISSION | | |

| 47596-8841 | WITH HALOGEN FREE |
|------------|----------------------|
| 47596-9941 | WITHOUT HALOGEN FREE |
| PART NO. | DESCRIPTION |