



68-Pin PLCC-to-DIP 64-Pin Motorola MC68HC000 Adapter

FEATURES

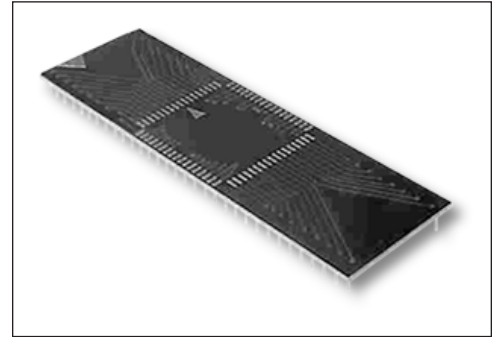
- Allows easy replacement of a difficult-to-find part.

GENERAL SPECIFICATIONS

- PCB: FR-4, 0.062 [1.56] or 0.094 [2.39] thick
- MALE PINS: Brass 360 1/2-hard per UNS C36000, ASTM B16/B16M
- MALE PIN PLATING: 200 μ [5.08 μ] Sn/Pb 93/7 per ASTM B579-73 over 100 μ [2.54 μ] Ni per SAE AMS-QQ-N-290
- OPERATING TEMPERATURE: 221°F [105°C]

MOUNTING CONSIDERATIONS

- Standard thru-hole



CUSTOMIZATION: In addition to the standard products shown on this page, Aries specializes in custom design and production. Special materials, platings, sizes, and configurations can be furnished, depending on the quantity. **NOTE:** Aries reserves the right to change product general specifications without notice.

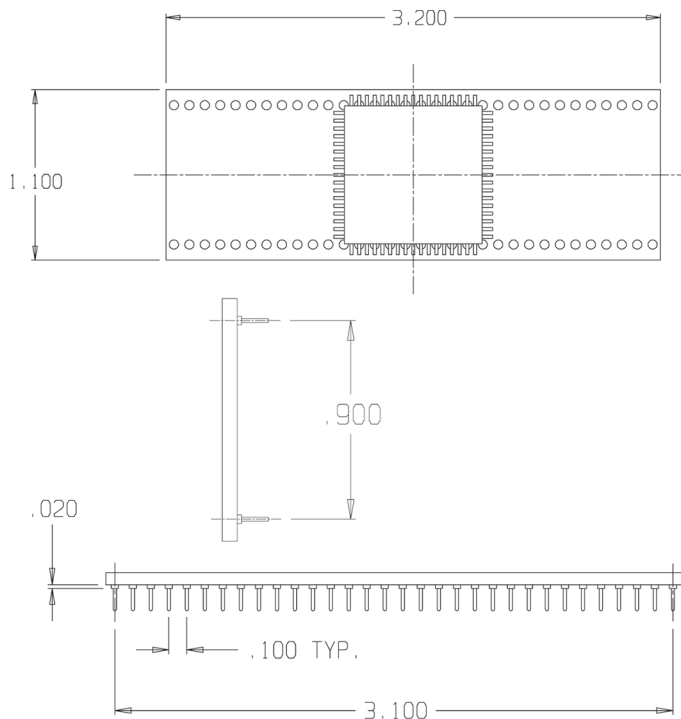
PCB	IC	PCB	IC
1	1	33	36
2	2	34	37
3	3	35	38
4	4	36	39
5	5	37	40
6	6	38	41
7	7	39	42
8	8	40	43
9	9	41	44
10	10	42	45
11	11	43	46
12	12	44	47
13	13	45	48
14	14	46	49
15	15	47	50
16	16&17	48	51
17	19	49	52
18	20	50	52
19	21	51	54
20	22	52	55
21	23	53	56&57
22	24	54	58
23	25	55	59
24	26	56	60
25	27	57	61
26	28	58	62
27	29	59	63
28	30	60	64
29	32	61	65
30	33	62	66
31	34	63	67
32	35	64	68

ORDERING INFORMATION

1110267-N-P

Optional Panalized Form

ALL DIMENSIONS: INCHES [MILLIMETERS]
 ALL TOLERANCES: ± 0.005 [0.13] UNLESS OTHERWISE SPECIFIED
 CONSULT FACTORY FOR OTHER SIZES AND CONFIGURATIONS



Bristol, PA 19007-6810 USA
 TEL (215) 781-9956 • FAX (215) 781-9845
 WWW.ARIESELEC.COM • INFO@ARIESELEC.COM

