

PLEASE CHECK WWW.MOLEX.COM FOR LATEST PART INFORMATION

Part Number: [0475960132](#)
Status: **Active**
Description: 0.9144mm (.036") by 0.9144mm (.036") Pitch LGA 1156 Desktop PC CPU Socket, 0.38µm (15µ") Gold (Au) Plating, with Pick-and-Place Cover, 1156Circuits, Leadfree

Documents:

[Drawing \(PDF\)](#) [RoHS Certificate of Compliance \(PDF\)](#)
[Product Specification PS-47596-001 \(PDF\)](#)

General

Product Family	Processor Sockets
Series	47596
Component Type	Socket
Product Name	LGA1156

Physical

Circuits (Loaded)	1156
Color - Resin	Black
Durability (mating cycles max)	20
Material - Metal	Copper Alloy
Material - Plating Mating	Gold
Material - Resin	High Temperature Thermoplastic
Packaging Type	Tray
Pitch - Mating Interface (in)	0.036 In
Pitch - Mating Interface (mm)	0.91 mm
Plating min: Mating (µin)	15
Plating min: Mating (µm)	0.38
Temperature Range - Operating	-25°C to +100°C
Termination Interface: Style	Solder or Weld

Electrical

Current - Maximum per Contact	.5A
Voltage - Maximum	5V

Solder Process Data

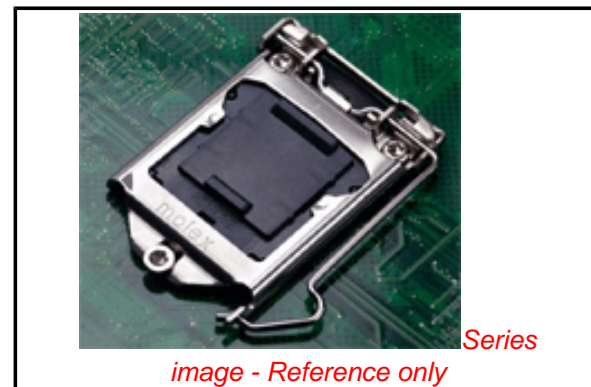
Duration at Max. Process Temperature (seconds)	3
Lead-free Process Capability	Reflow Capable (SMT only)
Max. Cycles at Max. Process Temperature	1
Process Temperature max. C	245

Material Info

Reference - Drawing Numbers

Packaging Specification	PK-47596-001, RPK-47596-001
Product Specification	PS-47596-001
Sales Drawing	SD-47596-001

Intel and Nehalem and relevant names are either trademarks or registered trademarks of Intel Corporation



EU RoHS

**ELV and RoHS
Compliant**
**REACH SVHC
Contains SVHC: No**
**Halogen-Free
Status**

China RoHS



**Need more information on product
environmental compliance?**

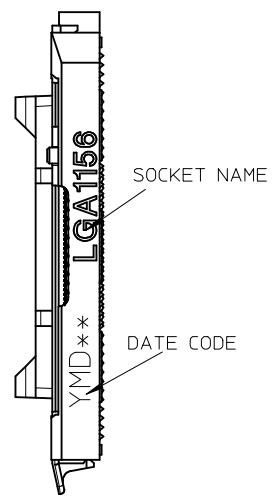
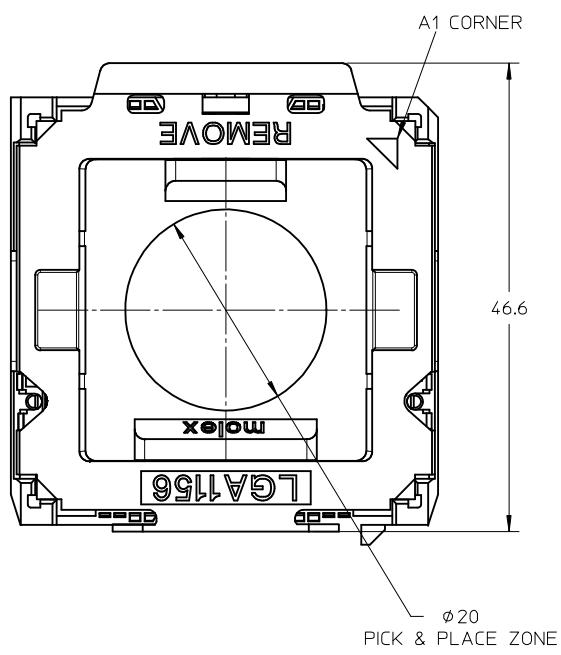
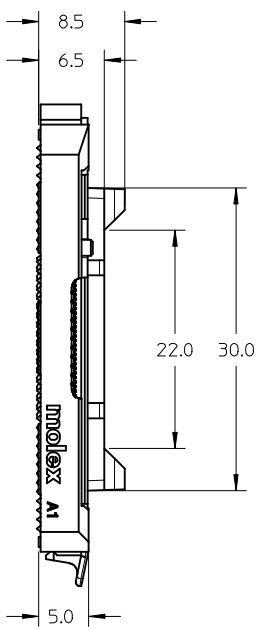
Email productcompliance@molex.com
 For a multiple part number RoHS Certificate of Compliance, [click here](#)

Please visit the [Contact Us](#) section for any non-product compliance questions.

Search Parts in this Series
[47596Series](#)

Mates With
 Intel* Nehalem Processor

10 9 8 7 6 5 4 3 2 1



NOTES:

1. MATERIAL:
 - HOUSING AND CAP: HIGH TEMPERATURE THERMOPLASTIC, UL94V-0, BLACK COLOR
 - CONTACT: HIGH STRENGTH COPPER ALLOY
 - SOLDER BALL: LEAD FREE SAC305
2. PLATING:
 - 50 μ m NICKEL AT PADDLE AND CONTACT AREA.
 - GOLD PLATING THICKNESS AT CONTACT AREA REFER TO TABLE.
3. DATE CODE "YMD**" IS DEFINED AS:
 - "YEAR/MONTH/DAY/MOLEX INTERNAL".
4. PRODUCT SPECIFICATION PS-47596-001 APPLIES.
5. PACKAGING SPECIFICATION PK-47596-001 APPLIES.
6. ALL PART NUMBERS COMPLIANT TO RoHS DIRECTIVE 2002/95/EC AND ELV DIRECTIVE 2000/53/EC.

F
E
D
C
B
A

F
E
D
C
B
A

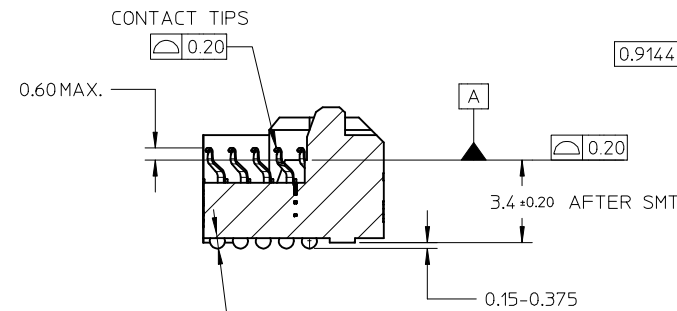
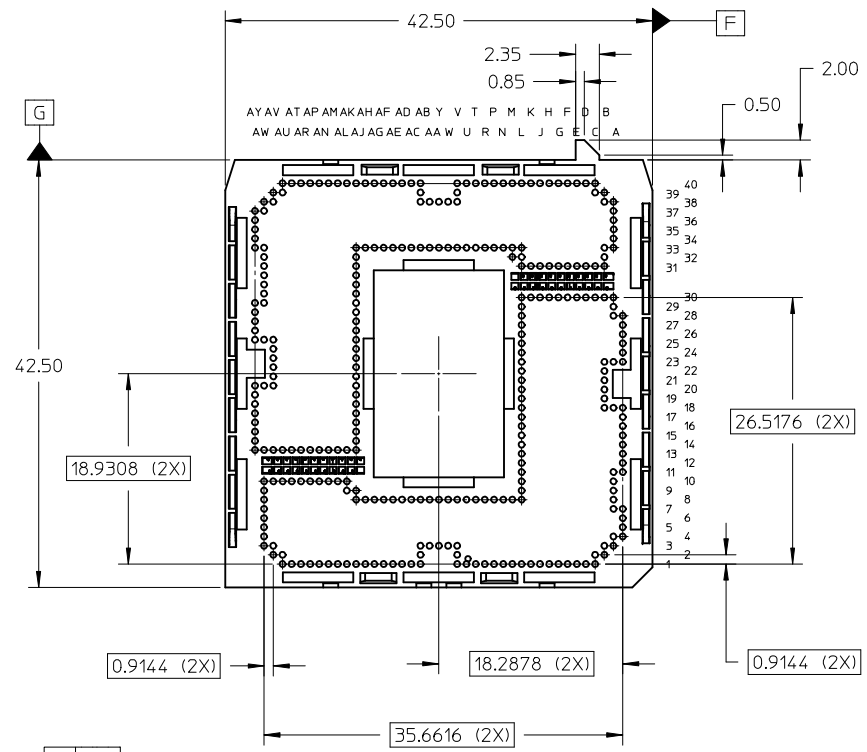
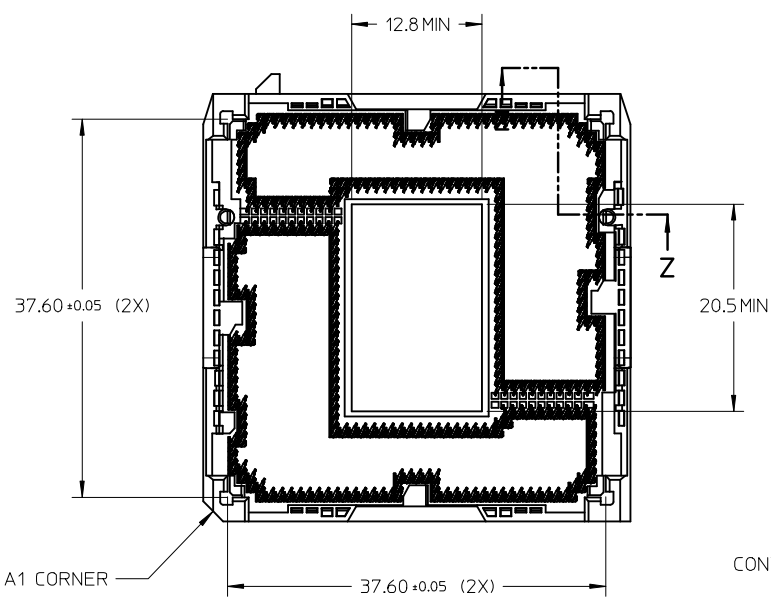
ENTER DESCRIPTION EC NO: SH2010-0085 DRWN: JZHANG11 CHKD: 2009/09/25 APPR: WEDENG 2009/10/12	QUALITY SYMBOLS F _A =0 F _B =0 F _C =0	GENERAL TOLERANCES (UNLESS SPECIFIED)		DIMENSION STYLE	SCALE	DESIGN UNITS	THIRD ANGLE PROJECTION		
				MM ONLY	2:1	METRIC			
				mm	INCH	DRAWN BY DATE			
				4 PLACES	± ---	± ---	JL IU 2008/01/01		
		3 PLACES	± ---	± ---	CHECKED BY DATE				
		2 PLACES	± 0.25	± ---	JKACHLIC 2008/02/19				
		1 PLACE	± 0.25	± ---	APPROVED BY DATE				
		ANGULAR ± 1°		CL IANG 2008/02/19		MATERIAL NO.			
		DRAFT WHERE APPLICABLE MUST REMAIN WITHIN DIMENSIONS		SEE TABLE		MATERIAL NO.			
				SIZE A3		THIS DRAWING CONTAINS INFORMATION THAT IS PROPRIETARY TO MOLEX INCORPORATED AND SHOULD NOT BE USED WITHOUT WRITTEN PERMISSION			

TITLE		LGA1156 SOCKET	
MOLEX INCORPORATED		SD-47596-001	
DOCUMENT NO.		SHEET NO.	
		1 OF 2	

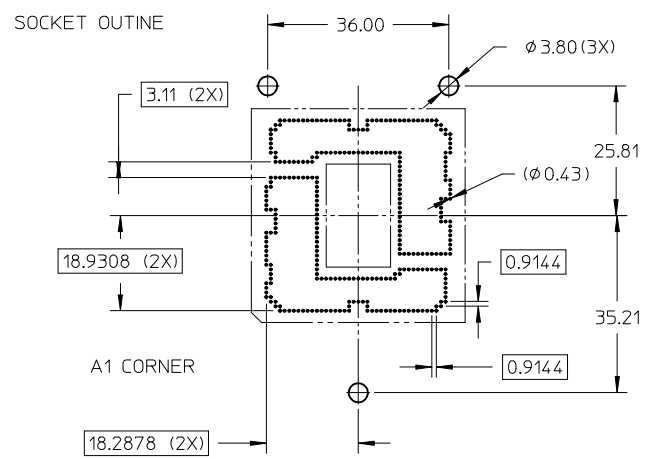
9 8 7 6 5 4 3 2 1

10 9 8 7 6 5 4 3 2 1

F
E
D
C
B
A



REFERENCE PCB LAYOUT



PART NO.	FINISHES: CONTACT AREA
475960132	15u" (0.38um) MIN. GOLD
475960133	30u" (0.76um) MIN. GOLD

SECTION Z-Z

ENTER DESCRIPTION EC NO: SH2010-0085 DRWN: ZHANG11 CHKD: APPR: WFDENG 2009/09/25 2009/10/12	QUALITY SYMBOLS $\nabla = 0$ $\nabla = 0$ $\nabla = 0$	GENERAL TOLERANCES (UNLESS SPECIFIED)		DIMENSION STYLE MM ONLY	SCALE 2:1	DESIGN UNITS METRIC	THIRD ANGLE PROJECTION
				DRAWN BY: JLIU DATE: 2008/01/01	TITLE: LGA1156 SOCKET		
				CHECKED BY: JKACHLIC DATE: 2008/02/19	MOLEX INCORPORATED		
				APPROVED BY: CL IANG DATE: 2008/02/19	MATERIAL NO. SEE TABLE	DOCUMENT NO. SD-47596-001	
DRAFT WHERE APPLICABLE MUST REMAIN WITHIN DIMENSIONS		SIZE: A3		THIS DRAWING CONTAINS INFORMATION THAT IS PROPRIETARY TO MOLEX INCORPORATED AND SHOULD NOT BE USED WITHOUT WRITTEN PERMISSION			

9 8 7 6 5 4 3 2 1