

PLEASE CHECK WWW.MOLEX.COM FOR LATEST PART INFORMATION

Part Number: [0879427001](#)
Status: **Active**
Overview: [cgrid_iii](#)
Description: 2.50mm (.098")/ 3.50mm (.138") Pitch, Wire-to-Board Connector, PCB Header with Single Fuse Socket, Right Angle, Through Hole Solder Pins, 22 Circuits, Tin (Sn) Overall, Lead-free

Documents:

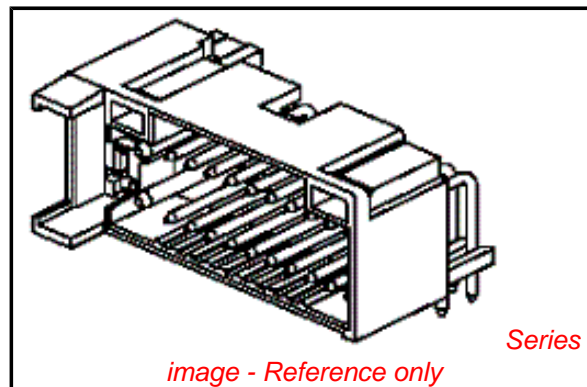
[3D Model](#) [Product Specification PS-87942-006 \(PDF\)](#)
[Drawing \(PDF\)](#) [RoHS Certificate of Compliance \(PDF\)](#)

General

Product Family	PCB Headers
Series	87942
Application	Wire-to-Board
Overview	cgrid_iii
Product Name	N/A

Physical

Breakaway	No
Circuits (Loaded)	22
Circuits (maximum)	22
Circuits Detail	2 Power, 20 Signal
Durability (mating cycles max)	30
First Mate / Last Break	No
Glow-Wire Compliant	No
Guide to Mating Part	No
Keying to Mating Part	None
Lock to Mating Part	Yes
Mated Height (in)	0.594 In
Mated Height (mm)	15.10 mm
Material - Plating Mating	Tin
Material - Plating Termination	Tin
Number of Rows	2
Orientation	Right Angle
PC Tail Length (in)	0.138 In
PC Tail Length (mm)	3.50 mm
PCB Locator	No
PCB Retention	Yes
PCB Thickness Recommended (in)	0.062 In
PCB Thickness Recommended (mm)	1.60 mm
Packaging Type	Bag
Pitch - Mating Interface (in)	0.098 In, 0.138 In
Pitch - Mating Interface (mm)	2.50 mm, 3.50 mm
Plating min: Mating (µin)	80
Plating min: Mating (µm)	2.00
Plating min: Termination (µin)	80
Plating min: Termination (µm)	2.00
Polarized to Mating Part	Yes
Polarized to PCB	Yes
Shrouded	Fully
Stackable	No
Surface Mount Compatible (SMC)	N/A
Temperature Range - Operating	-40°C to +105°C
Termination Interface: Style	Through Hole



EU RoHS

ELV and RoHS Compliant
REACH SVHC
 Not Reviewed
Halogen-Free Status

China RoHS



Need more information on product environmental compliance?

Email productcompliance@molex.com
 For a multiple part number RoHS Certificate of Compliance, [click here](#)

Please visit the [Contact Us](#) section for any non-product compliance questions.

Search Parts in this Series

[87942Series](#)

Mates With

[87985](#) Milli-Grid™ 2mm IDT Receptacle with Metal Latch

Electrical

Current - Maximum per Contact 20A, 4A
Voltage - Maximum 250V

Material Info**Reference - Drawing Numbers**

Product Specification PS-87942-006
Sales Drawing SD-87942-001

This document was generated on 05/26/2010

PLEASE CHECK WWW.MOLEX.COM FOR LATEST PART INFORMATION

10 9 8 7 6 5 4 3 2 1

F

E

D

C

B

A

F

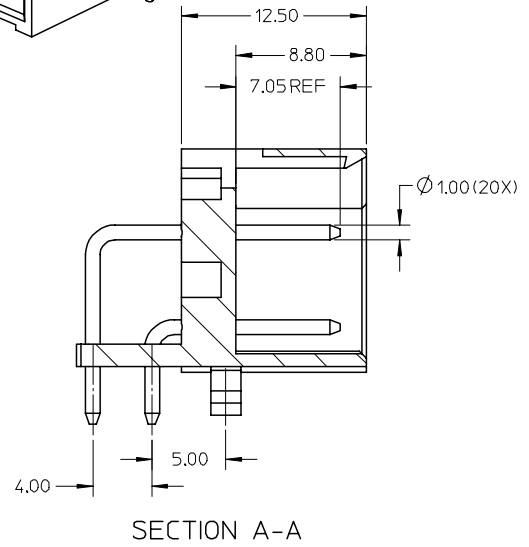
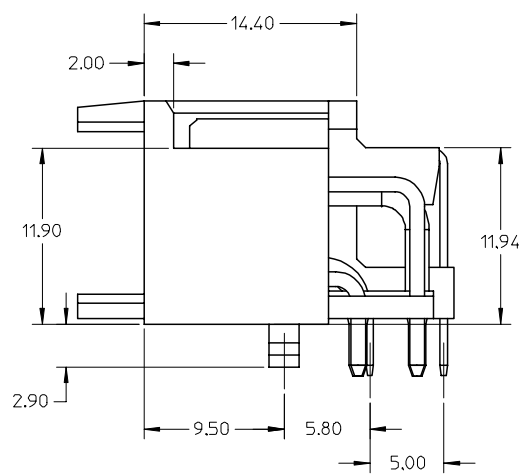
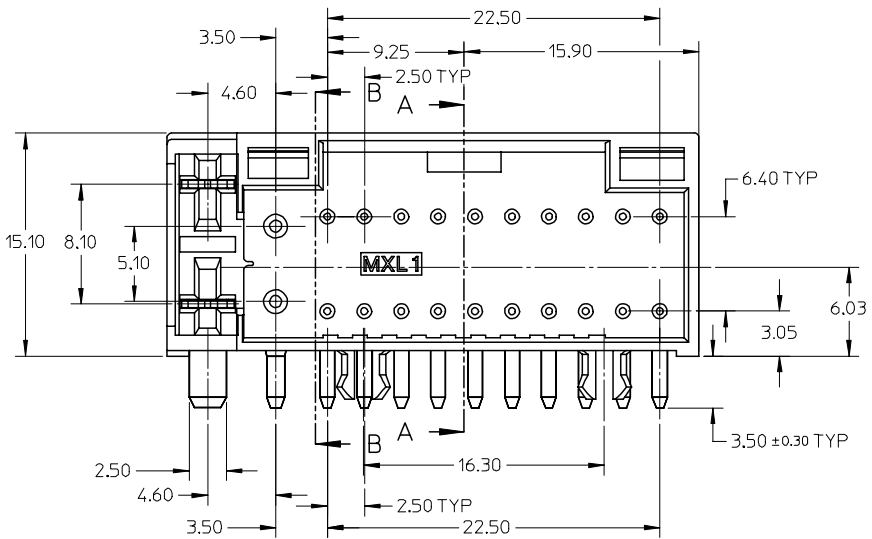
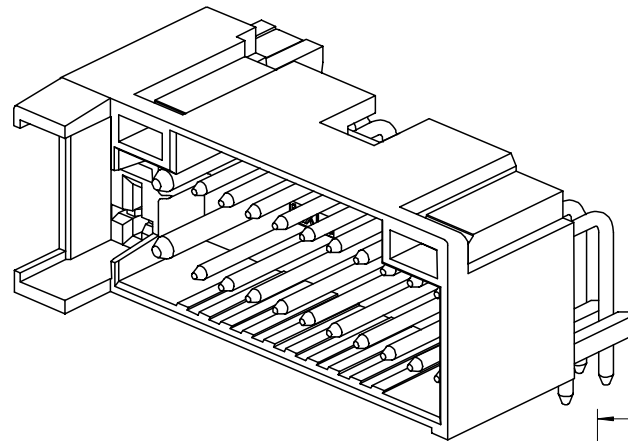
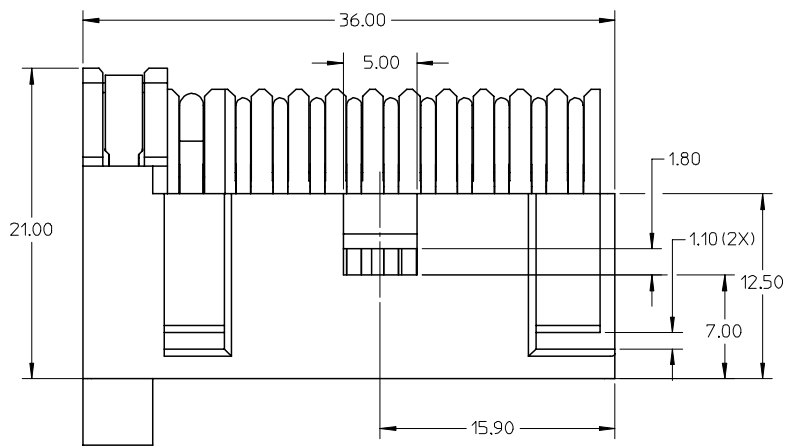
E

D

C

B

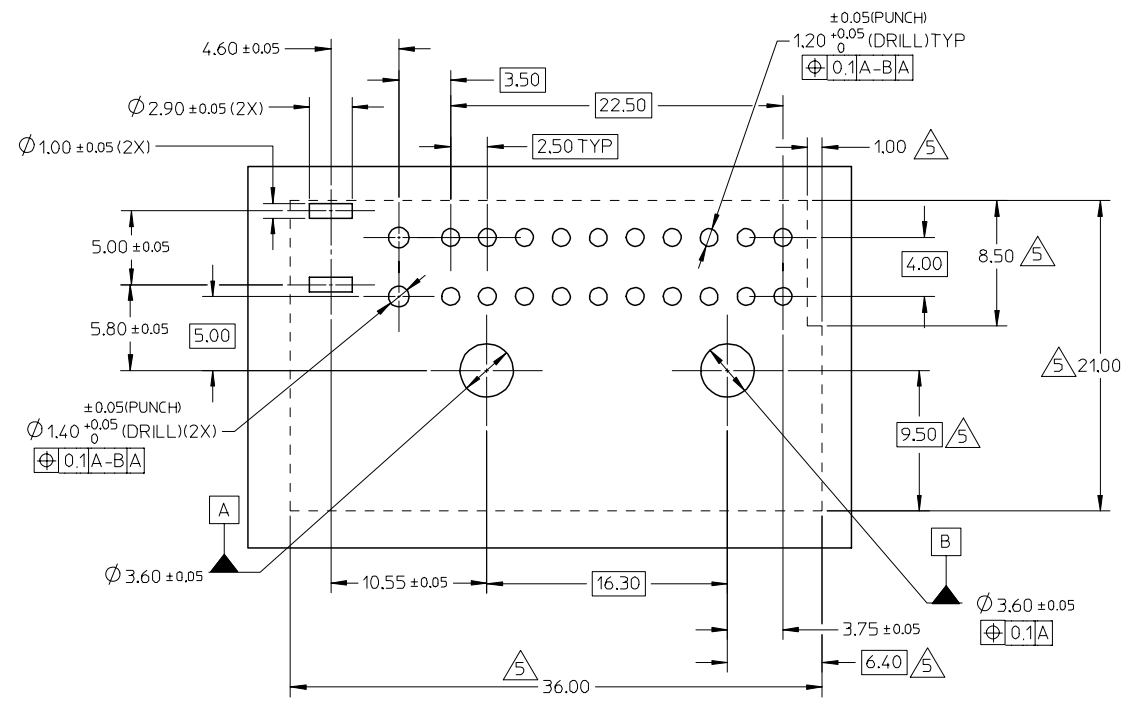
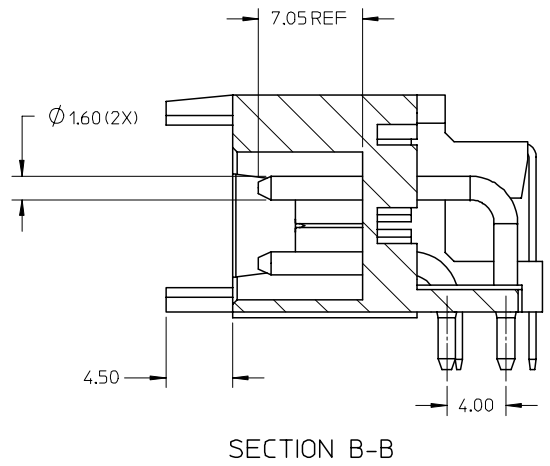
A



REVISED EC NO: S2006-0818 DRWN:KELIM 2006/05/09 CHKD:NRVITTA PALLI 2006/05/09 APPR:PTLIM 2006/05/10 A2	QUALITY SYMBOLS ▽=0 ▽=0	GENERAL TOLERANCES (UNLESS SPECIFIED)		DIMENSION STYLE MM ONLY		SCALE NTS	DESIGN UNITS METRIC	THIRD ANGLE PROJECTION			
		4 PLACES ± --- ± ---	3 PLACES ± --- ± ---	2 PLACES ± 0.20 ± ---	1 PLACE ± --- ± ---	ANGULAR ± 3 °	DRAWN BY NRVITTA PALLI 2004/12/21	DATE 2005/05/13	TITLE 2.5/3.5 W-T-B HEADER WITH SINGLE FUSE SOCKET		
						APPROVED BY SCLW 2005/05/13	MOLEX INCORPORATED				
		DRAFT WHERE APPLICABLE MUST REMAIN WITHIN DIMENSIONS				MATERIAL NO. SEE TABLE	DOCUMENT NO. SD-87942-001	SHEET NO. 1 OF 2			

9 8 7 6 5 4 3 2 1

10	9	8	7	6	5	4	3	2	1
PART NUMBER	SIGNAL PIN QTY	POWER PIN QTY	FUSE TERMINAL	PLATING	PACKAGING				
87942-7001	20	2	2	TIN	BAG				



PCB LAYOUT : COMPONENT SIDE
RECOMENDED PCB THICKNESS - 1.20 TO 1.60

- NOTES:
- MATERIALS:
HOUSING: NYLON(PA66). UL94-V2
COLOR: BLACK
SIGNAL PINS - COPPER ALLOY
POWER PINS - COPPER ALLOY
FUSE TERMINAL -COPPER ALLOY
 - FINISH: OVERALL TIN
 - PRODUCT SPECIFICATION:PS-87942-006
 - MATES WITH 87943.
 - COMPONENT KEEP OUT ZONE.

ADD TEXT EC NO: S2006-0818 DRWN:KELIM CHKD:NRVITTA PALLI APPR:PTLIM	DESCRIPTION REV	QUALITY SYMBOLS ▽=0 ▽C=0	GENERAL TOLERANCES (UNLESS SPECIFIED)	DIMENSION STYLE MM ONLY	SCALE NTS	DESIGN UNITS METRIC	THIRD ANGLE PROJECTION	
			mm INCH	DRAWN BY NRVITTA PALLI	DATE 2004/12/21	TITLE 2.5/3.5 W-T-B HEADER WITH SINGLE FUSE SOCKET		
			4 PLACES ± --- ± --- 3 PLACES ± --- ± --- 2 PLACES ± 0.20 ± --- 1 PLACE ± --- ± ---	APPROVED BY SCLOW	DATE 2005/05/13	MOLEX INCORPORATED		
			ANGULAR ± 3 °	MATERIAL NO. SEE TABLE	DATE 2005/05/13	DOCUMENT NO. SD-87942-001	SHEET NO. 2 OF 2	
A2			DRAFT WHERE APPLICABLE MUST REMAIN WITHIN DIMENSIONS	SIZE A3	THIS DRAWING CONTAINS INFORMATION THAT IS PROPRIETARY TO MOLEX INCORPORATED AND SHOULD NOT BE USED WITHOUT WRITTEN PERMISSION			