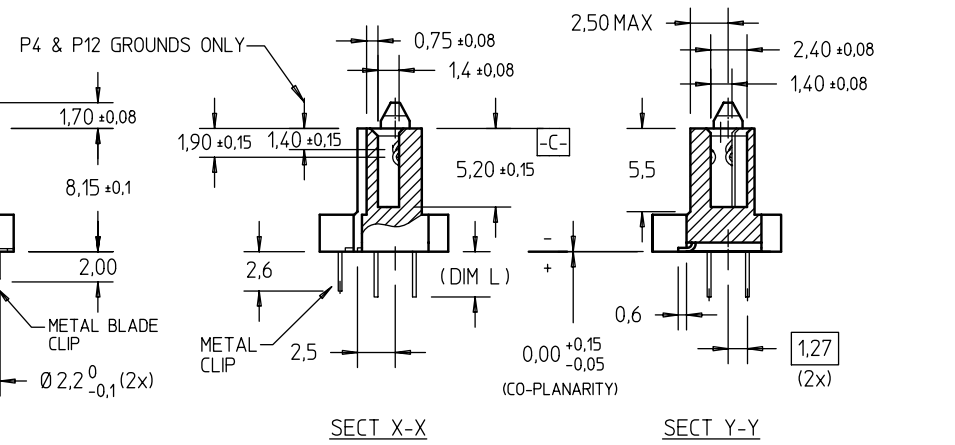
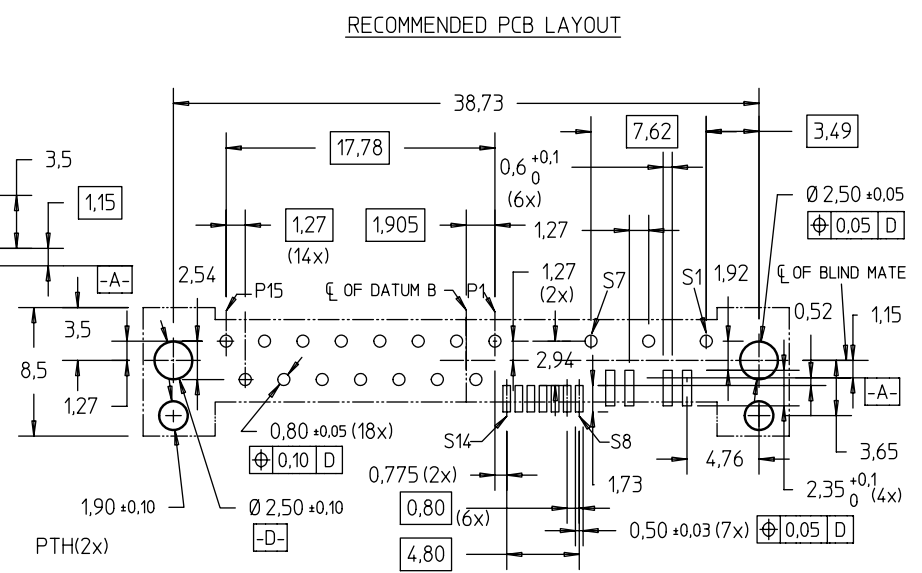
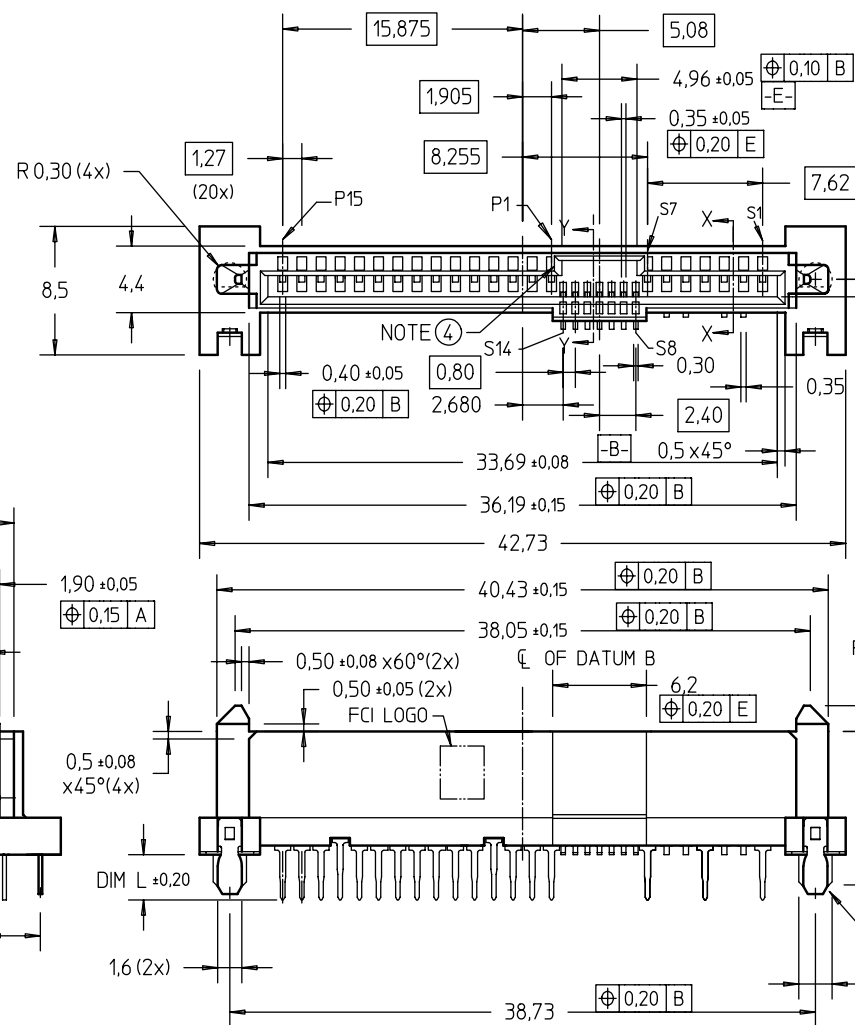


FCI CONFIDENTIAL



This document is the property of and embodies CONFIDENTIAL and PROPRIETARY information of FCI. No part of the information shown on this document may be used in any way or disclosed to others without the written consent of FCI. Copyright FCI.

PRODUCT NO
SEE TABLE



NOTES:

- 1 MATERIAL:
 - 1) HOUSING : HIGH TEMP TERMOPLASTIC, UL 94V-0
 - COLOR : BLACK
 - 2) TERMINAL : COPPER ALLOY
 - 3) HOLD DOWN : COPPER ALLOY
 - 4) PER SFF REV 1.3
- 2 FINISH :
 - 1) TERMINAL : 30u" Au PLATING (CONTACT POINT) OVER 50u" NICKEL
 - 2) SOLDER TAIL : 50u" min Sn OVER 50u" NICKEL
 - 3) HOLD DOWN : 50u" min Sn OVER 50u" NICKEL

mat'l code		surface	tolerance	projection	product family
		ISO 1302	ISO 406 ISO 1101		SAS
itr		tolerances unless otherwise specified		title	
A	S05-0065	GLL	2005-03-01	SAS RECEPTACLE WIDE	
B	S05-0086	GLL	2005-03-17	BASE HYBRID TYPE ASSY	
C	S05-0155	GLL	2005-05-30	scale 2 : 1	
D	S06-0263	GLL	2006-08-03	dr	GL L00 2005-02-23
E	S07-0051	GLL	2007-02-14	enrg	GL L00 2005-02-23
F	S09-0051	GLL	2009-02-19	chr	GL L00 2010-01-06
G	S10-0001	GLL	2010-01-06	appd	JOEY NG 2010-01-06
sheet	revision	G	G	FCI	
index	sheet	1	2	type	CUSTOMER Drawing

FCI CONFIDENTIAL

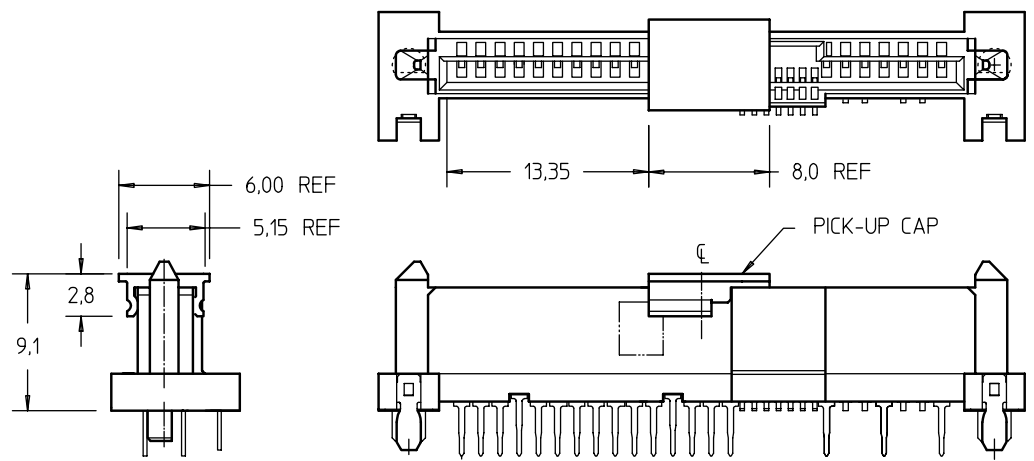


This document is the property of and embodies CONFIDENTIAL and PROPRIETARY information of FCI. No part of the information shown on this document may be used in any way or disclosed to others without the written consent of FCI. Copyright FCI.

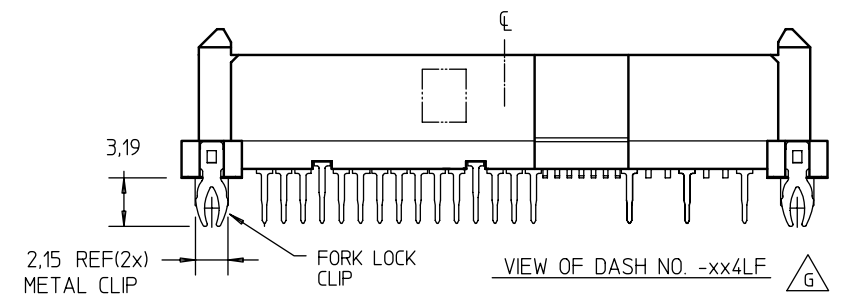
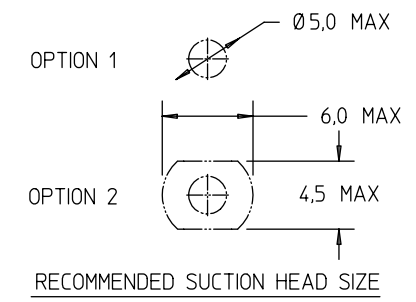
PRODUCT NO	DIM L (SOLDER TAIL)	PICK-UP CAP	RECOMMENDED P.C. BOARD THICKNESS	TYPE OF CLIP	PACKAGING
10036876-003LF	2,70	NO	1,57mm (0,062") / 2,36mm (0,093")	METAL BLADE	TRAY
10036876-003CLF		YES			TAPE & REEL
10036876-003C-TRLF		YES			
10036876-013LF	3,70	NO	2,36mm (0,093")	METAL BLADE	TRAY
10036876-013CLF		YES			TAPE & REEL
10036876-013C-TRLF		YES			
10036876-004LF	2,70	NO	2,36mm (0,093")	FORK LOCK	TRAY
10036876-014LF	3,70	NO	2,36mm (0,093")	FORK LOCK	TRAY

NOTES

- ⑤ PART WITH PICK-UP CAP, P/N XXXXXXXX-XXXC LF
- ⑥ THE STD PACKAGING IS IN TRAY
- 7 FOR TAPE & REEL PACKAGING, SUFFIX "-TR" ADDED.
P/N XXXXXXXX-XXXC -TR LF
- 8 THE HOUSING WILL WITHSTAND EXPOSURE TO 260°C PEAK TEMPERATURE FOR 10 SECONDS IN A CONVECTION, INFRA-RED OR VAPOR PHASE REFLOW OVEN.
- ⑨ THIS PRODUCT MEETS EUROPEAN UNION DIRECTIVES AND OTHER COUNTRY REGULATIONS AS DESCRIBED IN GS-22-008.
- ⑩ PART NUMBERS ENDING IN "LF" MEANS FOR NOTE 8 LEAD FREE IDENTIFICATION
- ~~(ii) XXXXXXXX-XXXLF IS EQUIVALENT TO PREVIOUS P/N XXXXXXXX-XXX~~
- ~~(iii) XXXXXXXX-XXXCLF IS EQUIVALENT TO PREVIOUS P/N XXXXXXXX-XXXC~~
- 11 A $\triangle G$ SYMBOL WILL BE NEXT TO ANY DIMENSION, VIEW, OR NOTE WHICH HAS BEEN MODIFIED WITH THE CURRENT DRAWING REVISION.



PART WITH PICK-UP CAP, SEE NOTE ⑤



mat'l. code		surface <input checked="" type="checkbox"/> ISO 1302		tolerance <input checked="" type="checkbox"/> ISO 406 ISO 1101		projection		product family SAS	
ltr	ecn no	dr	date		tolerances unless otherwise specified		title		
G					angles linear = ±0,20		SAS RECEPTACLE WIDE BASE HYBRID TYPE ASSY		
					± 2°		scale 2 : 1		
		dr	GL L00	2005-02-23			dwg no		sheet 2 of 2
		enr	GL L00	2005-02-23			10036876		A4
		chr	GL L00	2010-01-06			type		CUSTOMER Drawing
		appd	JOEY NG	2010-01-06					
sheet index	revision sheet	1							