

General Description

The MIC2073/2074 are high-side MOSFET switches optimized for general-purpose power distribution requiring circuit protection.

The MIC2073/2074 are internally current limited and have thermal shutdown for protecting the device and load.

The MIC2074 offers “smart” shutdown that reduces current consumption in fault mode. When a fault occurs due to thermal shutdown, the output is latched off. The MIC2074s’ output will be reset, enabling the output, either by removing the load or toggling the ENABLE pin.

Both devices employ soft-start circuitry that minimizes inrush current in applications where highly capacitive loads are employed.

A fault status output flag is asserted during overcurrent or thermal shutdown conditions. Transient faults are internally filtered.

The MIC2073/2074 are available in an 8-pin SOIC.

All support documentation can be found on Micrel’s web site at: www.micrel.com.

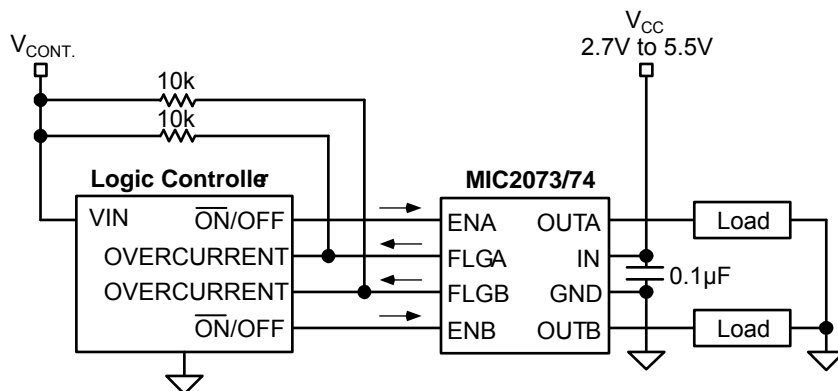
Features

- 115 mΩ typical $R_{DS(ON)}$ at 5.0 V
- 210 mΩ maximum $R_{DS(ON)}$ at 5.0 V
- 2.7 V to 5.5 V operating range
- 500 mA minimum continuous current per channel
- Short circuit protection with thermal shutdown
- Thermally isolated channels
- Fault status flag (FLGA/B) separate for each channel
- 3ms fault flag delay (T_D) eliminates false assertions
- UVLO (Undervoltage Lockout)
- Reverse current flow blocking (no “body diode”)
- Circuit breaker mode (MIC2074)
- Logic-compatible inputs
- Soft-start circuit
- Low quiescent current
- Pin compatible with the MIC2026/2076

Applications

- USB peripherals
- General purpose power switching
- ACPI power distribution
- Notebook PCs
- PDAs
- PC card hot swap

Typical Application

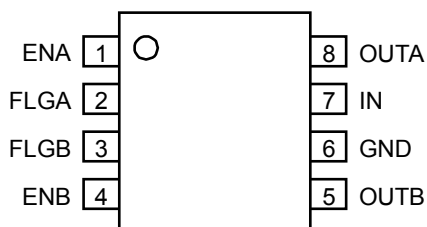


Ordering Information

Part Number	Enable	Package
MIC2073-1YM	Active High	8- Pin SOIC
MIC2073-2YM	Active Low	
MIC2074-1YM	Active High	
MIC2074-2YM	Active Low	

NOTE: 1. MIC2073/2074 are Temperature rated from -40°C to $+85^{\circ}\text{C}$
 2. MIC2073/2074 are all lead free

Pin Configuration



8-Pin SOIC (M)
MIC2073/2074

Pin Description

Pin Number	Pin Name	Pin Function
1	ENA	Switch A Enable (Input): Logic-compatible, enable input. Active high (-1) or active low (-2).
2	FLGA	Fault Flag A (Output): Active-low, open-drain output. Low indicates overcurrent or thermal shutdown conditions. Overcurrent conditions must last longer than t_D in order to assert FLGA. FLGA pin can be left floating; however, fault status information will not be available.
3	FLGB	Fault Flag B (Output): Active-low, open-drain output. Low indicates overcurrent or thermal shutdown conditions. Overcurrent conditions must last longer than t_D in order to assert FLGB. FLGB pin can be left floating; however, fault status information will not be available.
4	ENB	Switch B Enable (Input): Logic-compatible enable input. Active-high (-1) or active-low (-2).
5	OUTB	Switch B (Output)
6	GND	Ground
7	IN	Input: Switch and logic supply input.
8	OUTA	Switch A (Output)

Absolute Maximum Ratings⁽¹⁾

Supply Voltage (V_{IN})	-0.3 V to +6 V
Fault Flag Voltage (V_{FLG})	+6 V
Fault Flag Current (I_{FLG})	25 mA
Output Voltage (V_{OUT})	+6 V
Output Current (I_{OUT})	Internally Limited
Enable Input (V_{EN})	-0.3 V to 6.0 V
Storage Temperature (T_S)	-65°C to +150 °C
ESD Rating⁽³⁾	
HBM	1 kV
MM	200 V

Operating Ratings⁽²⁾

Supply Voltage (V_{IN})	+2.7 V to +5.5 V
Ambient Temperature (T_A)	-40°C to +85°C
Junction Temperature Range (T_J)	Internally Limited
Thermal Resistance	
SOIC (θ_{JA})	160°C/W

Electrical Characteristics⁽⁴⁾

$V_{IN} = 5 V$; $T_A = 25^\circ C$, bold values indicate $-40^\circ C \leq T_A \leq +85^\circ C$; unless noted

Symbol	Parameter	Condition	Min	Typ	Max	Units
I_{DD}	Supply Current	MIC2073-1, $V_{ENA} = V_{ENB} \leq 0.8 V$ (switch off), $OUT = open$		0.40	5	μA
		MIC2073-2, $V_{ENA} = V_{ENB} \geq 2.4 V$ (switch off), $OUT = open$		7.5	20	μA
		MIC2073-1, $V_{ENA} = V_{ENB} \geq 2.4 V$ (switch on), $OUT = open$		100	160	μA
		MIC2073-2, $V_{ENA} = V_{ENB} \leq 0.8 V$ (switch on), $OUT = open$		100	160	μA
V_{EN}	Enable Input Threshold	low-to-high transition		1.6	2.4	V
		high-to-low transition	0.8	1.40		V
V_{EN_HYST}	Enable Input Hysteresis			225		mV
I_{EN}	Enable Input Current	$V_{EN} = 0 V$ to 5.5 V	-1	0.01	1	μA
C_{EN}	Enable Input Capacitance			1		pF
$R_{DS(ON)}$	Switch Resistance	MIC2073/2074, $V_{IN} = 5.0 V$, $I_{OUT} = 500 mA$		115	170	m Ω
		MIC2073/2074, $V_{IN} = 3.3 V$, $I_{OUT} = 500 mA$		145	210	m Ω
	Output Leakage Current	MIC2073-1/2074-1, $V_{ENx} \leq 0.8 V$; MIC2073-2/2074-2, $V_{ENx} \geq 2.4 V$, (output off)			10	μA
	Off Current (Thermal Shutdown)	MIC2074, Thermal shutdown state		50		μA
I_{LIMIT}	Short-Circuit Output Current	$V_{OUT} = 0V$, enabled into short-circuit	0.5	0.7	1.25	A
	Current-Limit Threshold	Ramped load applied to output		1.0	1.25	A
V_{UVLO}	Undervoltage Lockout Threshold	V_{IN} rising	2.2	2.45	2.7	V
		V_{IN} falling	2.0	2.25	2.5	V
	Error Flag Output Resistance	$I_L = 10 mA$, $V_{IN} = 5.0 V$		12	25	Ω
		$I_L = 10 mA$, $V_{IN} = 3.3 V$		14	40	
	Error Flag Off Current	$V_{FLAG} = V_{IN}$			10	μA

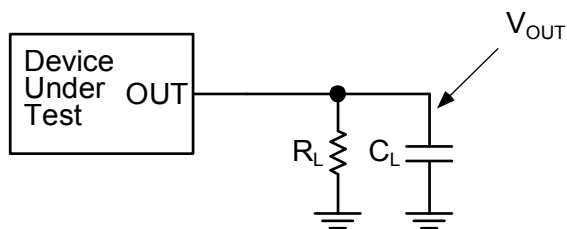
$V_{IN} = 5\text{ V}$; $T_A = 25^\circ\text{C}$, **bold** values indicate $-40^\circ\text{C} \leq T_A \leq +85^\circ\text{C}$; unless noted (Continued)

Symbol	Parameter	Condition	Min	Typ	Max	Units
t_{SC_RESP}	Short-Circuit Response Time	$V_{OUT} = 0\text{ V}$, to $I_{OUT} = I_{LIMIT}$ (short applied to output)		20		μs
t_{ON}	Output Turn-On Delay	$R_{L} = 10\ \Omega$, $C_{L} = 1\ \mu\text{F}$, see "Timing Diagrams"		1.3	5	ms
t_R	Output Turn-On Rise Time	$R_{L} = 10\ \Omega$, $C_{L} = 1\ \mu\text{F}$, see "Timing Diagrams"	0.5	1.15	4.9	ms
t_{OFF}	Output Turn-Off Delay	$R_{L} = 10\ \Omega$, $C_{L} = 1\ \mu\text{F}$, see "Timing Diagrams"		35	100	μs
t_F	Output Turn-Off Fall Time	$R_{L} = 10\ \Omega$, $C_{L} = 1\ \mu\text{F}$, see "Timing Diagrams"		32	100	μs
t_D	Overcurrent Flag Response Delay	$V_{IN} = 5\text{ V}$ apply $V_{OUT} = 0\text{ V}$ until FLG LOW	1.5	4	7	ms
		$V_{IN} = 3.3\text{ V}$ apply $V_{OUT} = 0\text{ V}$ until FLG LOW		3		ms
$T_{OVERTEMP}$	Overtemperature Threshold ⁽⁵⁾	T_J increasing, each switch T_J decreasing, each switch		140 120		$^\circ\text{C}$ $^\circ\text{C}$
		T_J increasing, both switches T_J decreasing, both switches		160 150		$^\circ\text{C}$ $^\circ\text{C}$

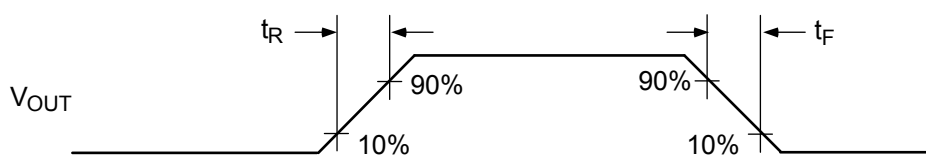
Notes:

1. Exceeding the absolute maximum rating may damage the device.
2. The device is not guaranteed to function outside its operating rating.
3. Devices are ESD sensitive. Handling precautions recommended.
4. Specification for packaged product only.
5. If there is a fault on one channel, that channel will shut down when the die reaches approximately 140°C . If the die reaches approximately 160°C , both channels will shut down, even if neither channel is in current limit.

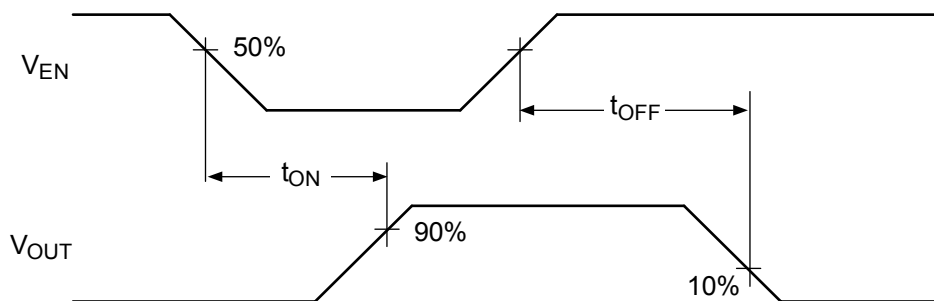
Test Circuit



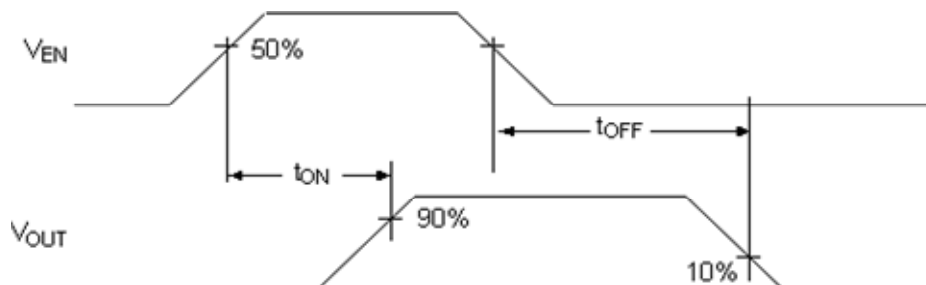
Timing Diagrams



Output Rise and Fall Times

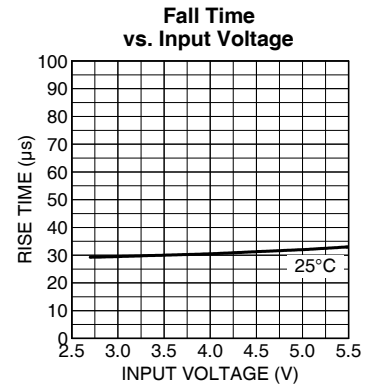
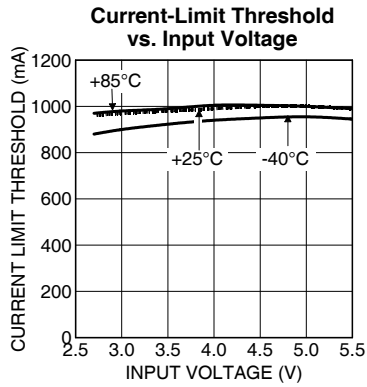
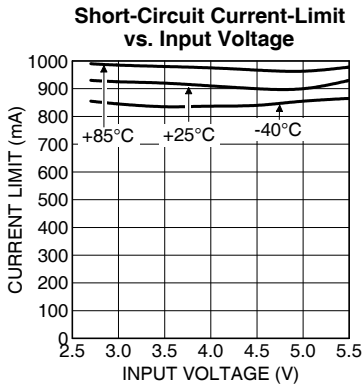
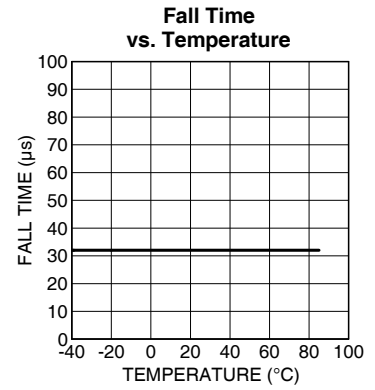
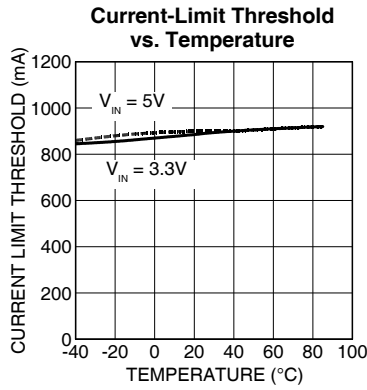
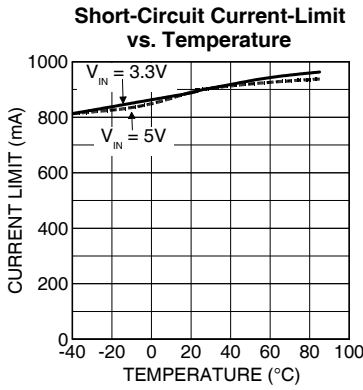
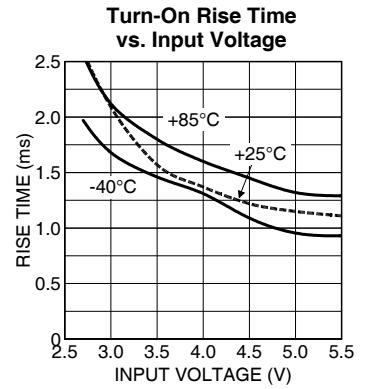
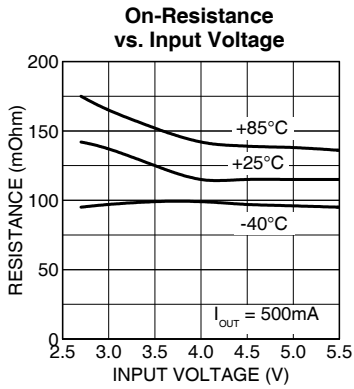
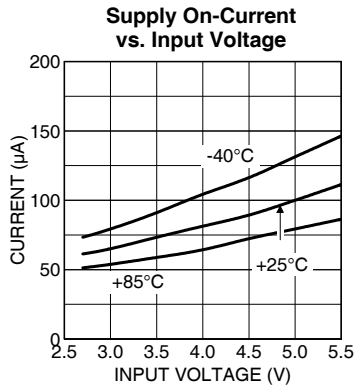
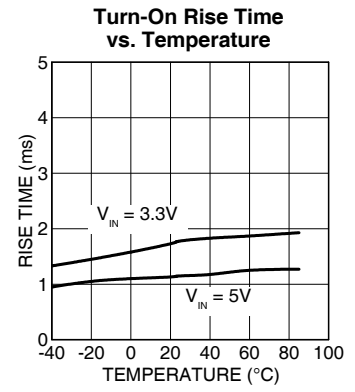
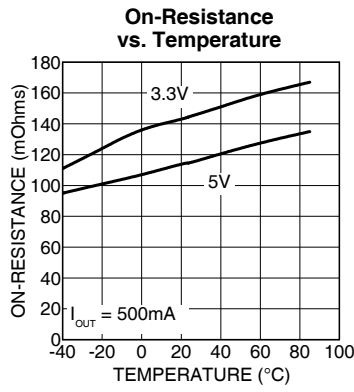
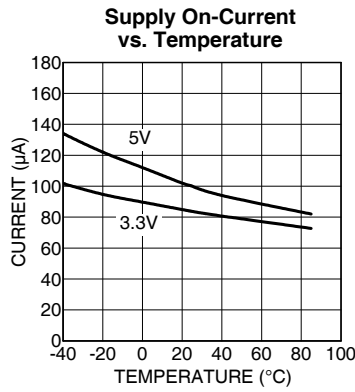


Active-Low Switch Delay Times (MIC2073-2/2074-2)

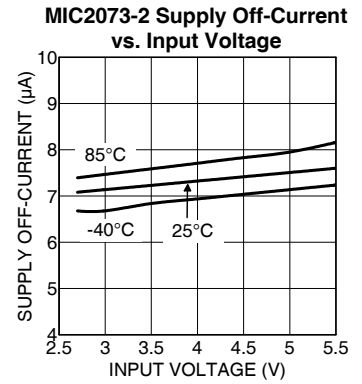
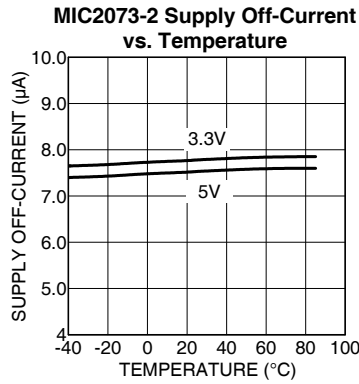
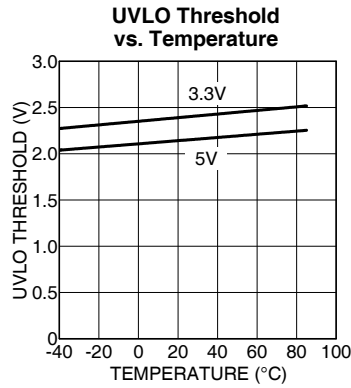
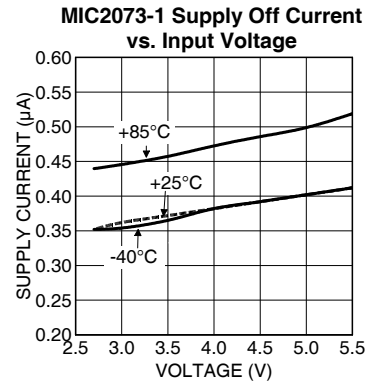
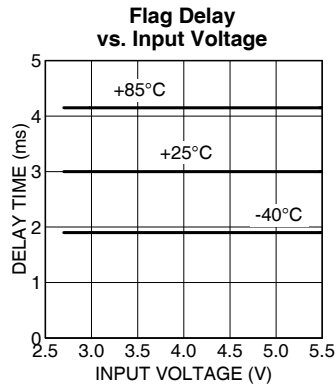
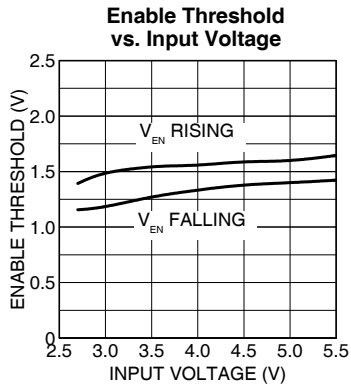
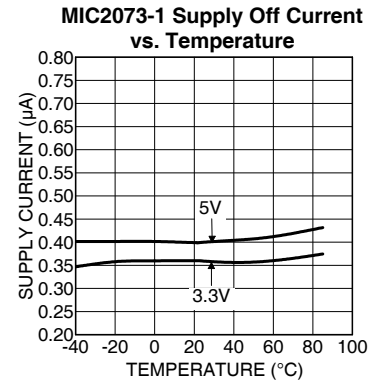
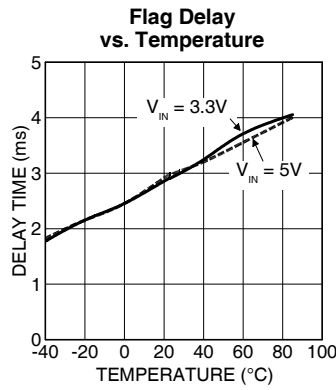
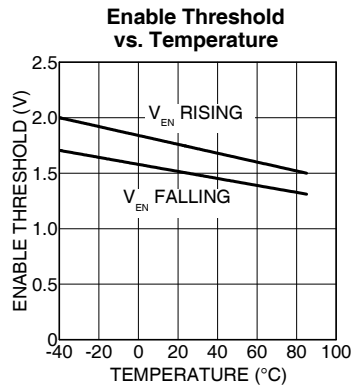


Active-High Switch Delay Time (MIC2073-1/2074-1)

Typical Characteristics

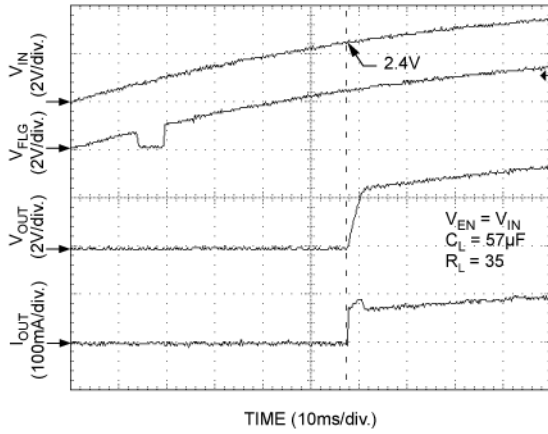


Typical Characteristics (continue)

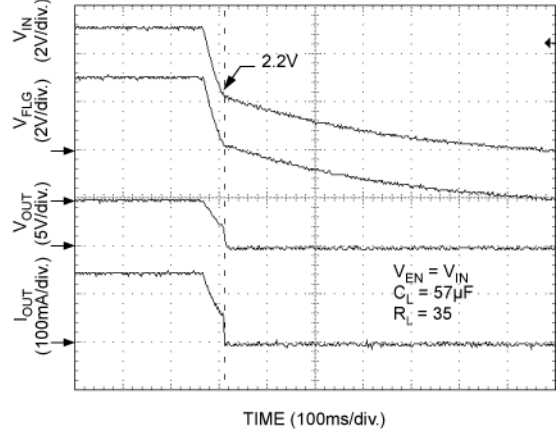


Functional Characteristics

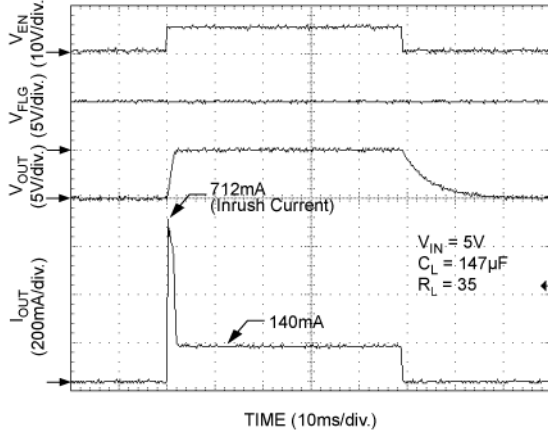
UVLO— V_{IN} Rising (MIC2073-1)



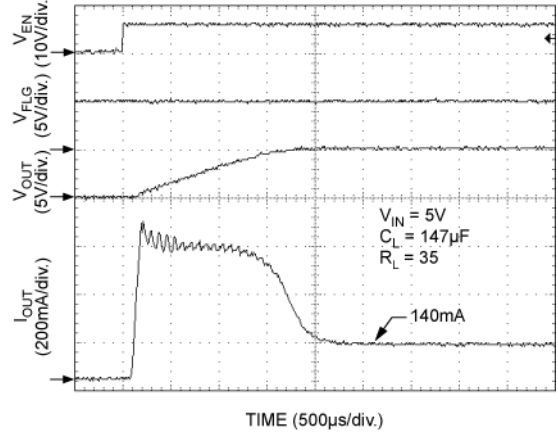
UVLO— V_{IN} Falling (MIC2073-1)



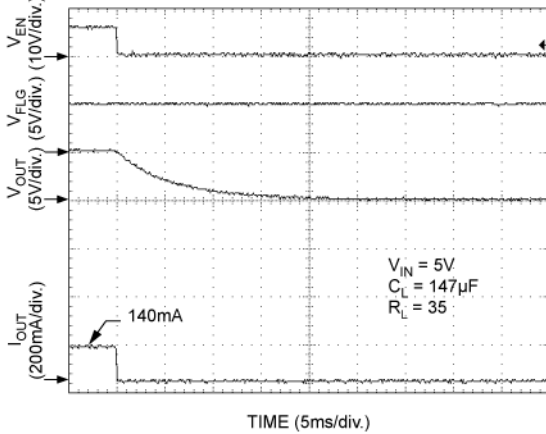
Turn-On/Turn-Off (MIC2073-1)



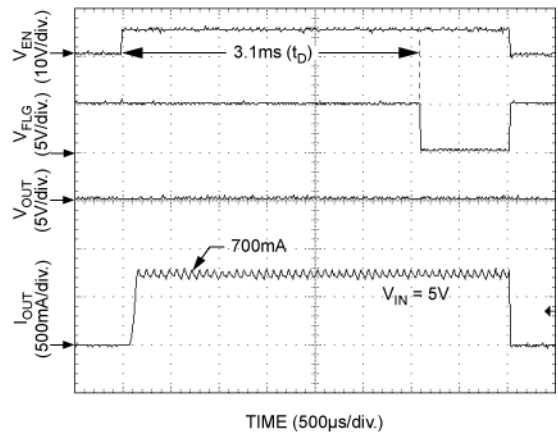
Turn-On (MIC2073-1)



Turn-Off (MIC2073-1)

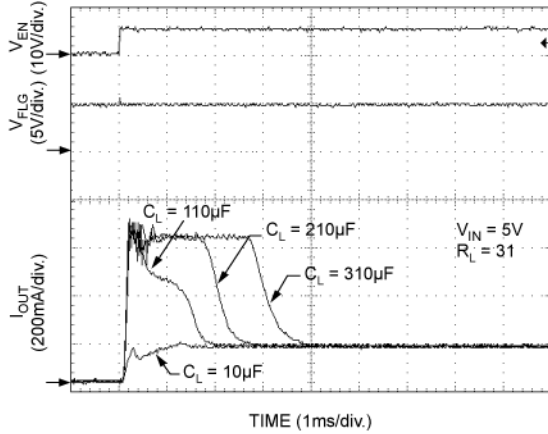


Enabled Into Short (MIC2073-1)

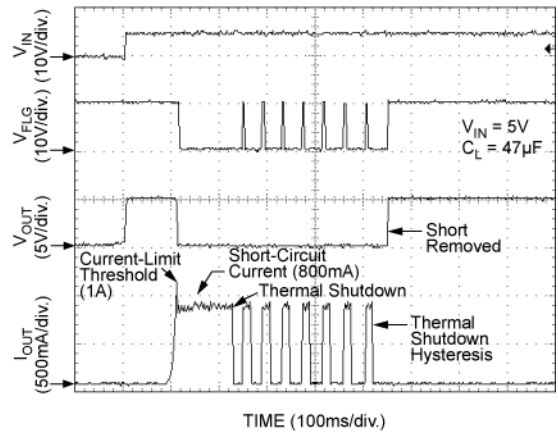


Functional Characteristics (continued)

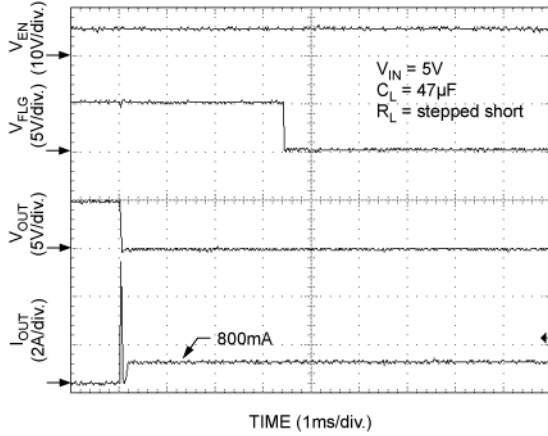
Inrush Current Response
(MIC2073-1)



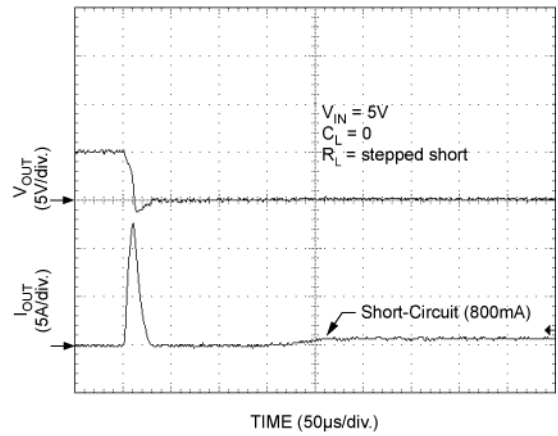
Current-Limit Response
(Ramped Load-MIC2073-1)



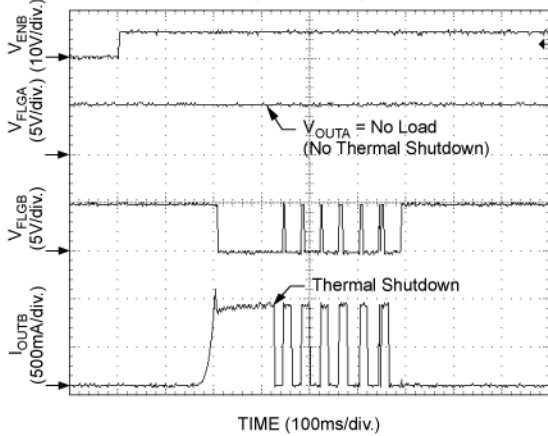
Current-Limit Response
(Stepped Short-MIC2073-1)



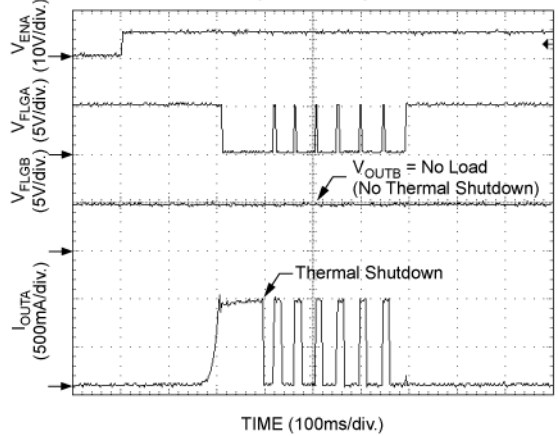
Current-Limit Response
(MIC2073-1)



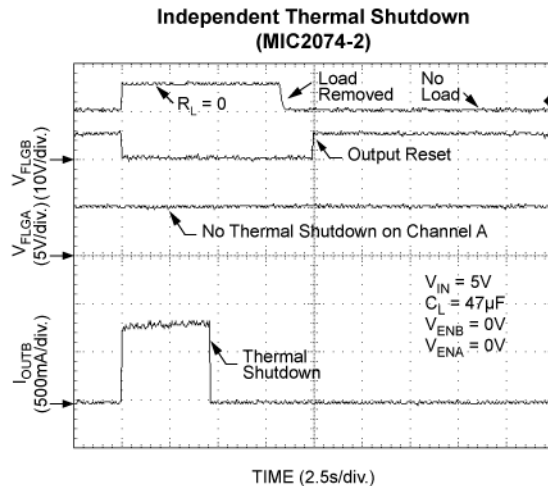
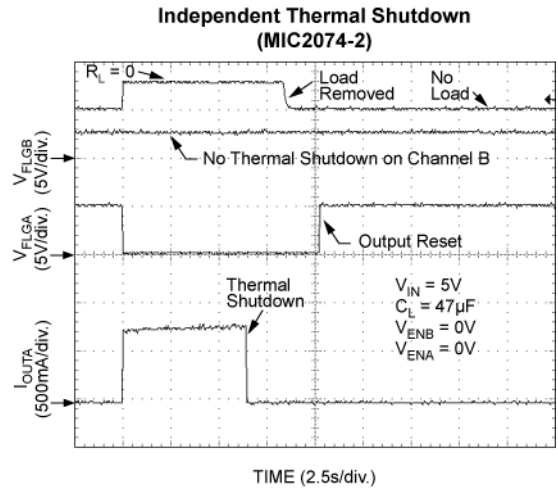
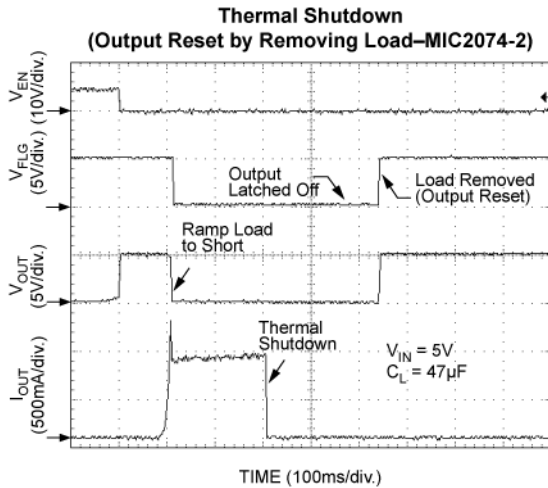
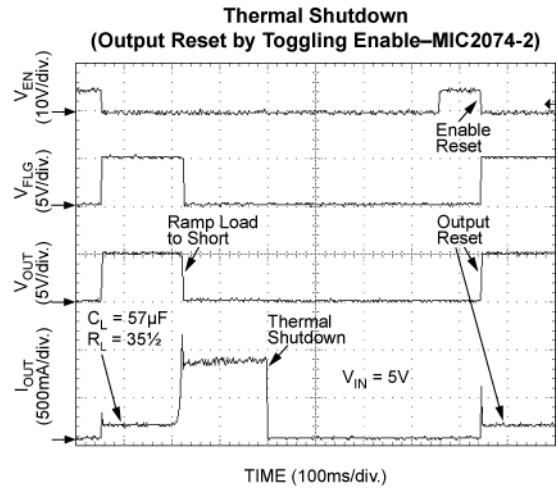
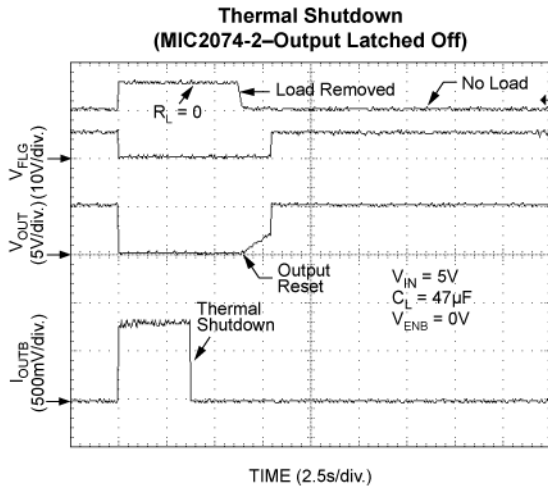
Independent Thermal Shutdown
(MIC2073-1)



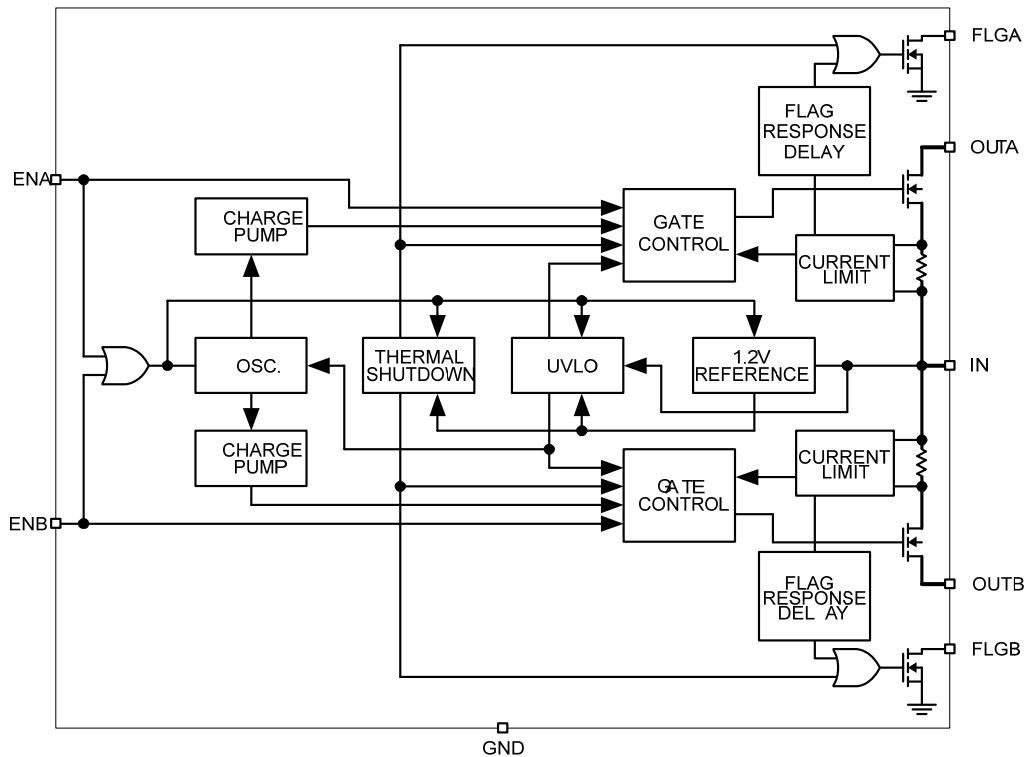
Independent Thermal Shutdown
(MIC2073-1)



Functional Characteristics (continue)



Block Diagram



MIC2073/2074 Block Diagram

Functional Description

Input and Output

IN is the power supply connection to the logic circuitry and the drain of the output MOSFET. OUT is the source of the output MOSFET. In a typical circuit, current flows from IN to OUT toward the load when the switch is enabled.

An important consideration in choosing a switch is whether it has “reverse voltage protection” that is, does not have a body diode. Reverse voltage protection is important when the switch is disabled and a voltage is presented to the OUT pin that is greater than the VIN voltage. The reverse voltage protection prevents current flow in the reverse path from OUT to IN.

On the other hand when the switch is enabled the switch is bidirectional. In this case when a voltage is presented to the OUT pin that is greater than the VIN voltage, current will flow from OUT to IN.

The output MOSFET and driver circuitry are also designed to allow the MOSFET source to be externally forced to a higher voltage than the drain ($V_{OUT} > V_{IN}$) when the switch is disabled. In this situation, the MIC2073/2074 prevents undesirable current flow from OUT to IN.

Thermal Shutdown

Thermal shutdown is employed to protect the device from damage should the die temperature exceed safe margins due mainly to short circuit faults. Each channel employs its own thermal sensor. Thermal shutdown shuts off the output MOSFET and asserts the FLG output if the die temperature reaches 140°C and the overheated channel is in current limit. The other channel is not affected. If however, the die temperature exceeds 160°C, then both channels will be shut off. Upon determining a thermal shutdown condition, the MIC2074 will latch the output off. In this case, a pull-up current source is activated. This allows the output latch to automatically reset when the load (such as a USB device) is removed. The output can also be reset by toggling EN. Refer to Figure 1 for timing details.

The MIC2073 will automatically reset its output when the die temperature cools down to 120°C. The MIC2073 output and FLG signal will continue to cycle on and off until the device is disabled or the fault is removed. Figure 2 depicts typical timing.

Depending upon PCB layout package, ambient temperature, etc., it may take several hundred milliseconds from the incidence of the fault to the output MOSFET being shut off. This time will be shortest in the case of a dead short on the output.

Power Dissipation

The device’s junction temperature depends upon several factors such as the load, PCB layout, ambient temperature, and package type. Equations that can be used to calculate power dissipation of each channel and junction temperature are found below:

$$P_D = R_{DS(on)} \times I_{OUT}^2$$

Total power dissipation of the device will be the summation of P_D for both channels. To relate this to junction temperature, the following equation can be used:

$$T_J = P_D \times \theta_{JA} + T_A$$

where:

T_J = junction temperature

T_A = ambient temperature

θ_{JA} = is the thermal resistance of the package

Current Sensing and Limiting

The current-limit threshold is preset internally. The preset level prevents damage to the device and external load but still allows a minimum current of 500mA to be delivered to the load.

The current-limit circuit senses a portion of the output MOSFET switch current. The current-sense resistor shown in the block diagram is a virtual resistor and has no voltage drop. The reaction to an overcurrent condition varies with three scenarios:

- **Switch Enabled into Short-Circuit**

If a switch is enabled into a heavy load or short-circuit, the switch immediately enters into a constant-current mode, reducing the output voltage. The FLG signal is asserted indicating an overcurrent condition.

- **Short-Circuit Applied to Enabled Output**

When a heavy load or short-circuit is applied to an enabled switch, a large transient current may flow until the current-limit circuitry responds. Once this occurs, the device limits current to less than the short-circuit current limit specification.

- **Current-Limit Response - Ramped Load**

The MIC2073/2074 current-limit profile exhibits a small foldback effect of about 200mA. Once this current-limit threshold is exceeded the device switches into a constant current mode. It is important to note that the device will supply current up to the current-limit threshold.

Fault Flag

The FLG signal is an N-channel open-drain MOSFET output. FLG is asserted (active-low) when either an overcurrent or thermal shutdown condition occurs. In the case of an overcurrent condition, FLG will be asserted only after the flag response delay time, t_D , has elapsed. This ensures that FLG is asserted only upon valid overcurrent conditions and that erroneous error reporting is eliminated. For example, false overcurrent conditions can occur during hot plug events when a highly capacitive load is connected and causes a high transient inrush current that exceeds the current-limit threshold for up to 1ms. The FLG response delay time t_D is typically 3ms.

Undervoltage Lockout

Undervoltage lockout (UVLO) prevents the output MOSFET from turning on until V_{IN} exceeds approximately 2.5V. Undervoltage detection functions only when the switch is enabled.

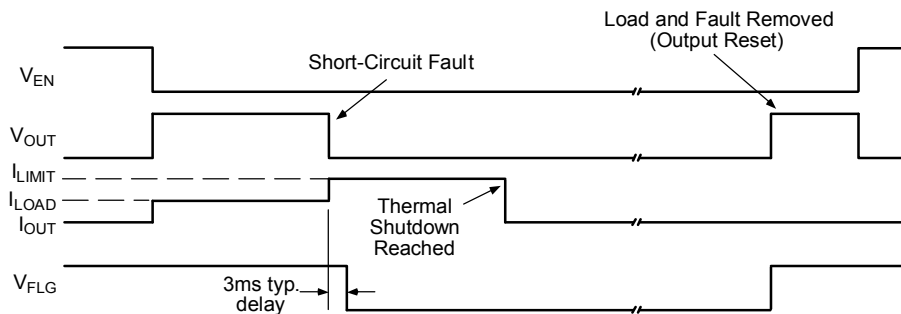


Figure 1. MIC2074-2 Fault Timing: Output Reset by Removing Load

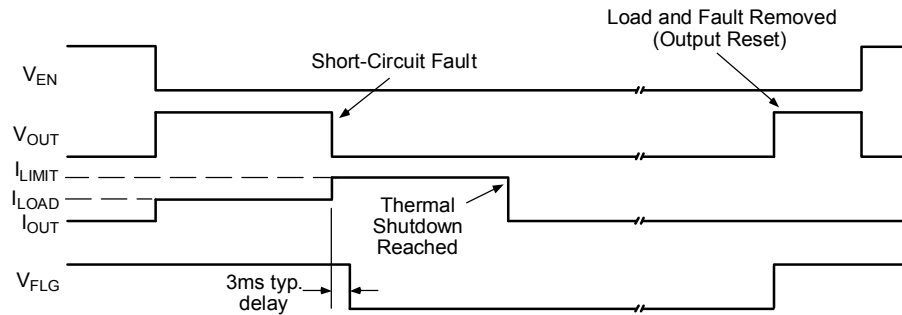


Figure 2. MIC2073-2 Fault Timing

Application Information

Supply Filtering

A 0.1 μ F to 1 μ F bypass capacitor positioned close to V_{IN} and GND of the device is strongly recommended to control supply transients. Without a bypass capacitor, an output short may cause sufficient ringing on the input (from supply lead inductance) to damage internal control circuitry.

Printed Circuit Board Hot-Plug

The MIC2073/2074 are ideal inrush current-limiters for hot plug applications. Due to their integrated charge pumps, the MIC2073/2074 present a high impedance when off and slowly becomes a low impedance as their integrated charge pumps turn on. This “soft-start” feature effectively isolates power supplies from highly capacitive loads by reducing inrush current. Figure 3 shows how the MIC2074 may be used in a card hot-plug application.

In cases of extremely large capacitive loads (>400 μ F), the length of the transient due to inrush current may exceed the delay provided by the integrated filter. Since this inrush current exceeds the current-limit delay specification, FLG will be asserted during this time. To prevent the logic controller from responding to FLG being asserted, an external RC filter, as shown in Figure 4, can be used to filter out transient FLG assertion. The value of the RC time constant should be selected to match the length of the transient, less $t_{D(min)}$ of the MIC2073/2074.

Universal Serial Bus (USB) Power Distribution

The MIC2073/2074 are ideally suited for USB (Universal Serial Bus) power distribution applications. The USB specification defines power distribution for USB host systems such as PCs and USB hubs. Hubs can either be self-powered or bus-powered (that is, powered from the bus). Figure 5 shows a typical USB Host application that may be suited for mobile PC applications employing USB. The requirement for USB host systems is that the port must supply a minimum of 500mA at an output voltage of 5V \pm 5%. In addition, the output power delivered must be limited to below 25VA. Upon an overcurrent condition, the host must also be notified. To support hot-plug events, the hub must have a minimum of 120 μ F of bulk capacitance, preferably low ESR electrolytic or tantalum. Please refer to Application Note 17 for more details on designing compliant USB hub and host systems.

For bus-powered hubs, USB requires that each downstream port be switched on or off under control by the host. Up to four downstream ports each capable of supplying 100mA at 4.4V minimum are allowed. In addition, to reduce voltage droop on the upstream V_{BUS} , soft-start is necessary. Although the hub can consume up to 500mA from the upstream bus, the hub must consume only 100mA max at start-up, until it enumerates with the host prior to requesting more power. The same requirements apply for bus-powered peripherals that have no downstream ports. Figure 6 shows a bus-powered hub.

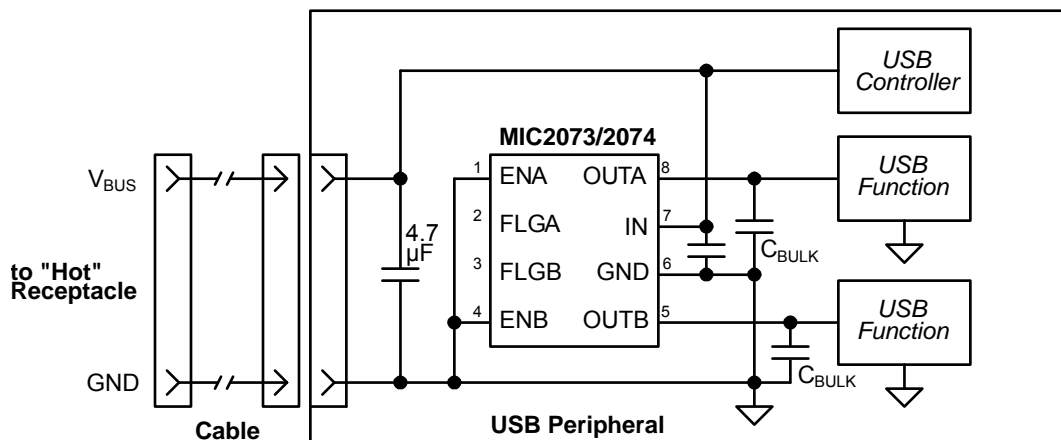


Figure 3. Hot-Plug Application

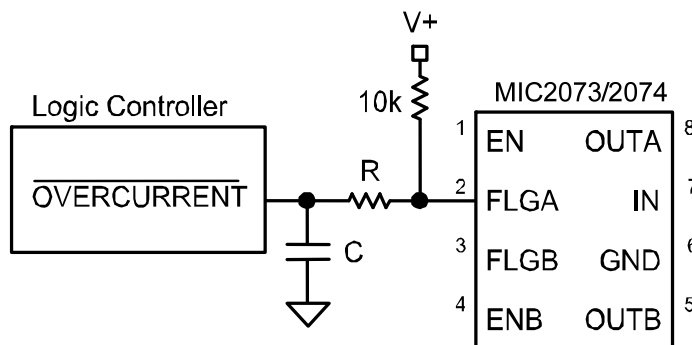


Figure 4. Transient Filter

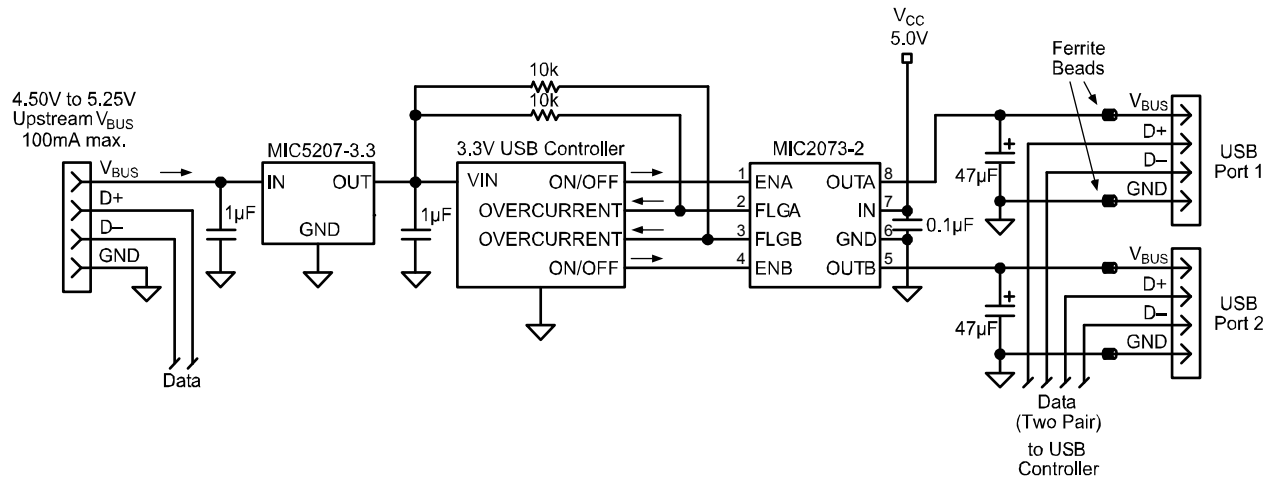


Figure 5. USB Two-Port Host Application

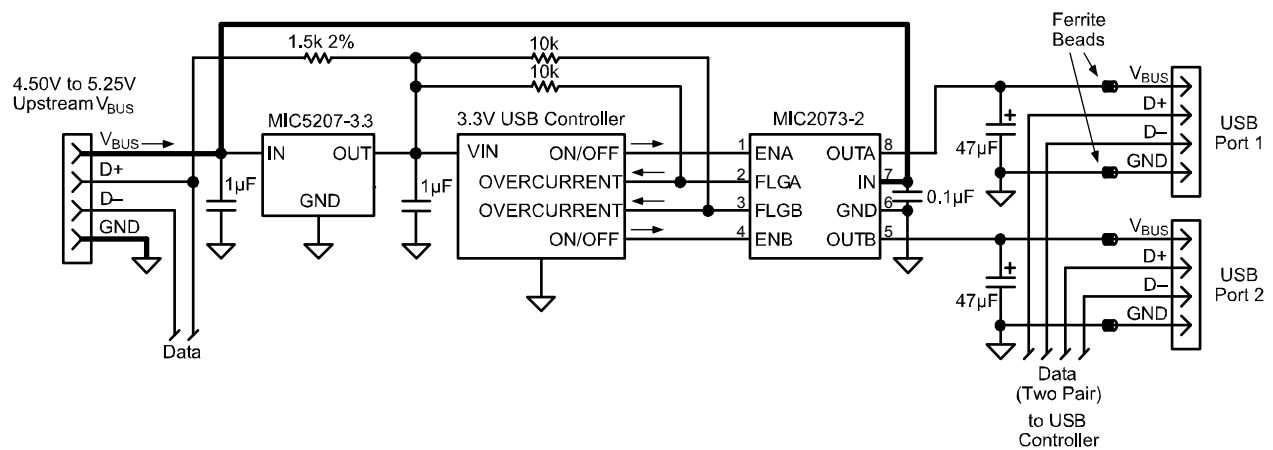
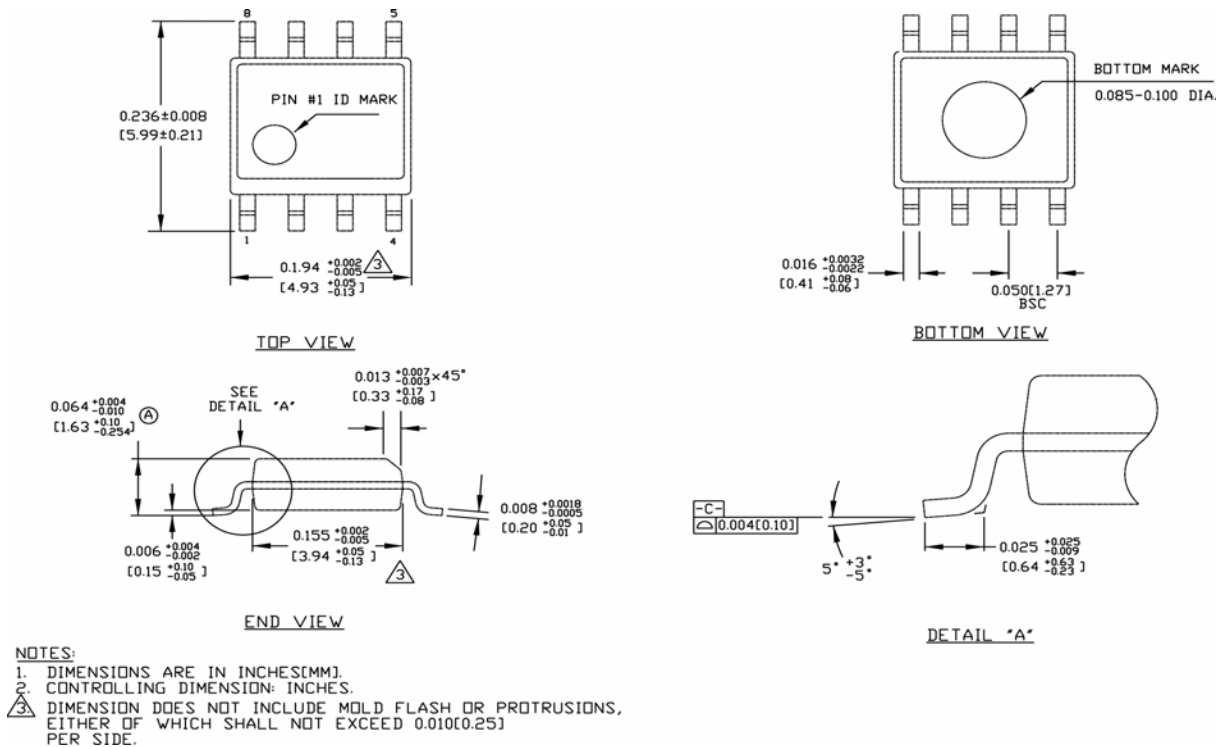


Figure 6. USB Two-Port Bus-Powered Hub

Package Information



8-Pin SOIC (M)

MICREL, INC. 2180 FORTUNE DRIVE SAN JOSE, CA 95131 USA
 TEL +1 (408) 944-0800 FAX +1 (408) 474-1000 WEB <http://www.micrel.com>

The information furnished by Micrel in this data sheet is believed to be accurate and reliable. However, no responsibility is assumed by Micrel for its use. Micrel reserves the right to change circuitry and specifications at any time without notification to the customer.

Micrel Products are not designed or authorized for use as components in life support appliances, devices or systems where malfunction of a product can reasonably be expected to result in personal injury. Life support devices or systems are devices or systems that (a) are intended for surgical implant into the body or (b) support or sustain life, and whose failure to perform can be reasonably expected to result in a significant injury to the user. A Purchaser's use or sale of Micrel Products for use in life support appliances, devices or systems is a Purchaser's own risk and Purchaser agrees to fully indemnify Micrel for any damages resulting from such use or sale.

© 2009 Micrel, Incorporated