



# M36W0T7040T0 M36W0T7040B0

128Mbit (Multiple Bank, 8Mb x 16, Burst) Flash Memory  
16Mbit (1Mb x16) PSRAM, Multi-Chip Package

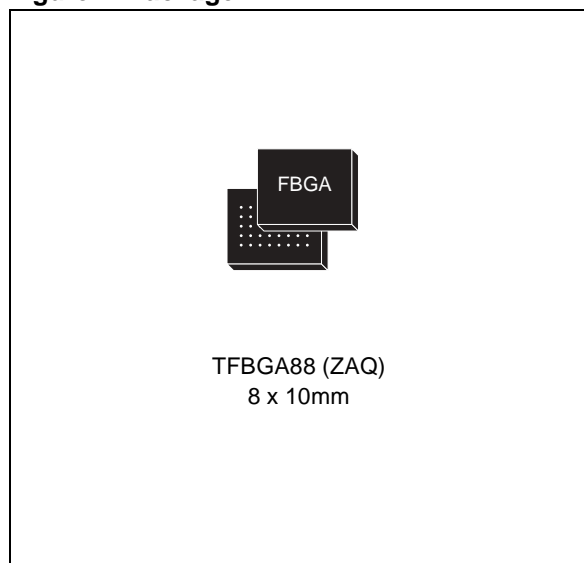
## FEATURES SUMMARY

- MULTI-CHIP PACKAGE
  - 1 die of 128 Mbit (8Mb x16, Multiple Bank, Burst) Flash Memory
  - 1 die of 16 Mbit (1Mb x16) Pseudo SRAM
- SUPPLY VOLTAGE
  - $V_{DDF} = 1.7$  to  $2V$
  - $V_{DDP} = V_{DDQ} = 2.7$  to  $3.3V$
  - $V_{PP} = 12V$  for fast Program (optional)
- ELECTRONIC SIGNATURE
  - Manufacturer Code: 20h
  - Device Code (Top Flash Configuration) M36W0T7040T0: 881Eh
  - Device Code (Bottom Flash Configuration) M36W0T7040B0: 881Fh
- PACKAGE
  - Compliant with Lead-Free Soldering Processes
  - Lead-Free Versions

## FLASH MEMORY

- SYNCHRONOUS / ASYNCHRONOUS READ
  - Synchronous Burst Read mode: 40MHz
  - Asynchronous/ Synchronous Page Read mode
  - Random Access: 70ns
- SYNCHRONOUS BURST READ SUSPEND
- PROGRAMMING TIME
  - 8 $\mu$ s by Word typical for Fast Factory Program
  - Double/Quadruple Word Program option
  - Enhanced Factory Program options
- MEMORY BLOCKS
  - Multiple Bank Memory Array: 4 Mbit Banks
  - Parameter Blocks (Top or Bottom location)
- DUAL OPERATIONS
  - program/erase in one Bank while read in others
  - No delay between read and write operations

Figure 1. Package



- SECURITY
  - 128 bit user programmable OTP cells
  - 64 bit unique device number
- BLOCK LOCKING
  - All blocks locked at power-up
  - Any combination of blocks can be locked
  - WP for Block Lock-Down
- COMMON FLASH INTERFACE (CFI)
- 100,000 PROGRAM/ERASE CYCLES per BLOCK
- PSRAM
  - ACCESS TIME: 70ns
  - LOW STANDBY CURRENT: 70 $\mu$ A
  - DEEP POWER DOWN CURRENT: 10 $\mu$ A
  - LOW  $V_{DDP}$  DATA RETENTION: 2.3V

## TABLE OF CONTENTS

<b>FEATURES SUMMARY</b> .....	<b>1</b>
<b>FLASH MEMORY</b> .....	<b>1</b>
Figure 1. Package .....	1
<b>PSRAM</b> .....	<b>1</b>
<b>SUMMARY DESCRIPTION</b> .....	<b>4</b>
Figure 2. Logic Diagram .....	4
Table 1. Signal Names .....	4
Figure 3. TFBGA Connections (Top view through package) .....	5
<b>SIGNAL DESCRIPTIONS</b> .....	<b>6</b>
Address Inputs (A0-A22) .....	6
Data Input/Output (DQ0-DQ15) .....	6
Flash Chip Enable ( $\overline{E}_F$ ) .....	6
Flash Output Enable ( $\overline{G}_F$ ) .....	6
Flash Write Enable ( $\overline{W}_F$ ) .....	6
Flash Write Protect ( $\overline{WP}_F$ ) .....	6
Flash Reset ( $\overline{RP}_F$ ) .....	6
Flash Latch Enable ( $\overline{L}_F$ ) .....	6
Flash Clock ( $K_F$ ) .....	6
Flash Wait ( $WAIT_F$ ) .....	6
PSRAM Chip Enable ( $\overline{E1}_P$ ) .....	6
PSRAM Chip Enable ( $\overline{E2}_P$ ) .....	6
PSRAM Output Enable ( $\overline{G}_P$ ) .....	6
PSRAM Write Enable ( $\overline{W}_P$ ) .....	7
PSRAM Upper Byte Enable ( $\overline{UB}_P$ ) .....	7
PSRAM Lower Byte Enable ( $\overline{LB}_P$ ) .....	7
V <sub>DDF</sub> Supply Voltage .....	7
V <sub>DDP</sub> Supply Voltage .....	7
V <sub>DDQ</sub> Supply Voltage .....	7
V <sub>PPF</sub> Program Supply Voltage .....	7
V <sub>SS</sub> Ground .....	7
<b>FUNCTIONAL DESCRIPTION</b> .....	<b>8</b>
Figure 4. Functional Block Diagram .....	8
Table 2. Main Operating Modes .....	9
<b>FLASH MEMORY DEVICE</b> .....	<b>10</b>
<b>PSRAM DEVICE</b> .....	<b>10</b>
<b>MAXIMUM RATING</b> .....	<b>11</b>
Table 3. Absolute Maximum Ratings .....	11

<b>DC AND AC PARAMETERS</b> .....	<b>12</b>
Table 4. Operating and AC Measurement Conditions .....	12
Figure 5. AC Measurement I/O Waveform .....	12
Figure 6. AC Measurement Load Circuit .....	12
Table 5. Device Capacitance .....	12
Table 6. Flash Memory DC Characteristics - Currents .....	13
Table 7. Flash Memory DC Characteristics - Voltages .....	14
Table 8. PSRAM DC Characteristics .....	15
<b>PACKAGE MECHANICAL</b> .....	<b>16</b>
Figure 7. Stacked TFBGA88 8x10mm - 8x10 active ball array, 0.8mm pitch, Bottom View Outline	16
Table 9. Stacked TFBGA88 8x10mm - 8x10 active ball array, 0.8mm pitch, Package Data. ....	16
<b>PART NUMBERING</b> .....	<b>17</b>
Table 10. Ordering Information Scheme .....	17
<b>REVISION HISTORY</b> .....	<b>18</b>
Table 11. Document Revision History .....	18

### SUMMARY DESCRIPTION

The M36W0T7040T0 and M36W0T7040B0 combine two memory devices in a Multi-Chip Package: a 128-Mbit, Multiple Bank Flash memory, the M30W0T7000T0 or M30W0T7000B0, and a 16-Mbit PseudoSRAM, the M69AW024B. Recommended operating conditions do not allow more than one memory to be active at the same time.

The memory is offered in a Stacked TFBGA88 (8x10mm, 8x10 ball array, 0.8mm pitch) package.

In addition to the standard version, the packages are also available in Lead-free version, in compliance with JEDEC Std J-STD-020B, the ST ECO-PACK 7191395 Specification, and the RoHS (Restriction of Hazardous Substances) directive.

All packages are compliant with Lead-free soldering processes.

is supplied with all the bits erased (set to '1').

Figure 2. Logic Diagram

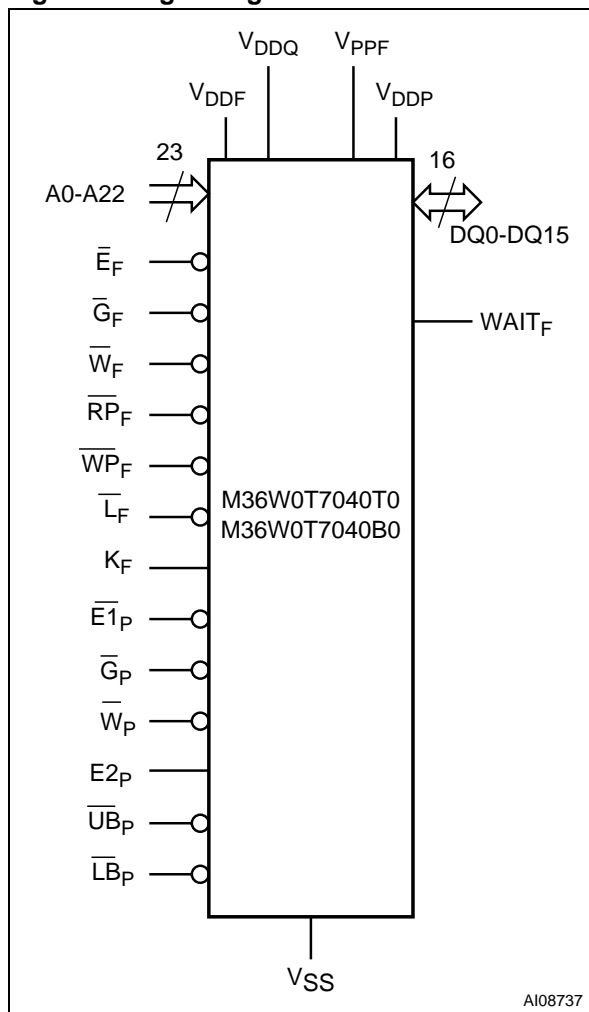
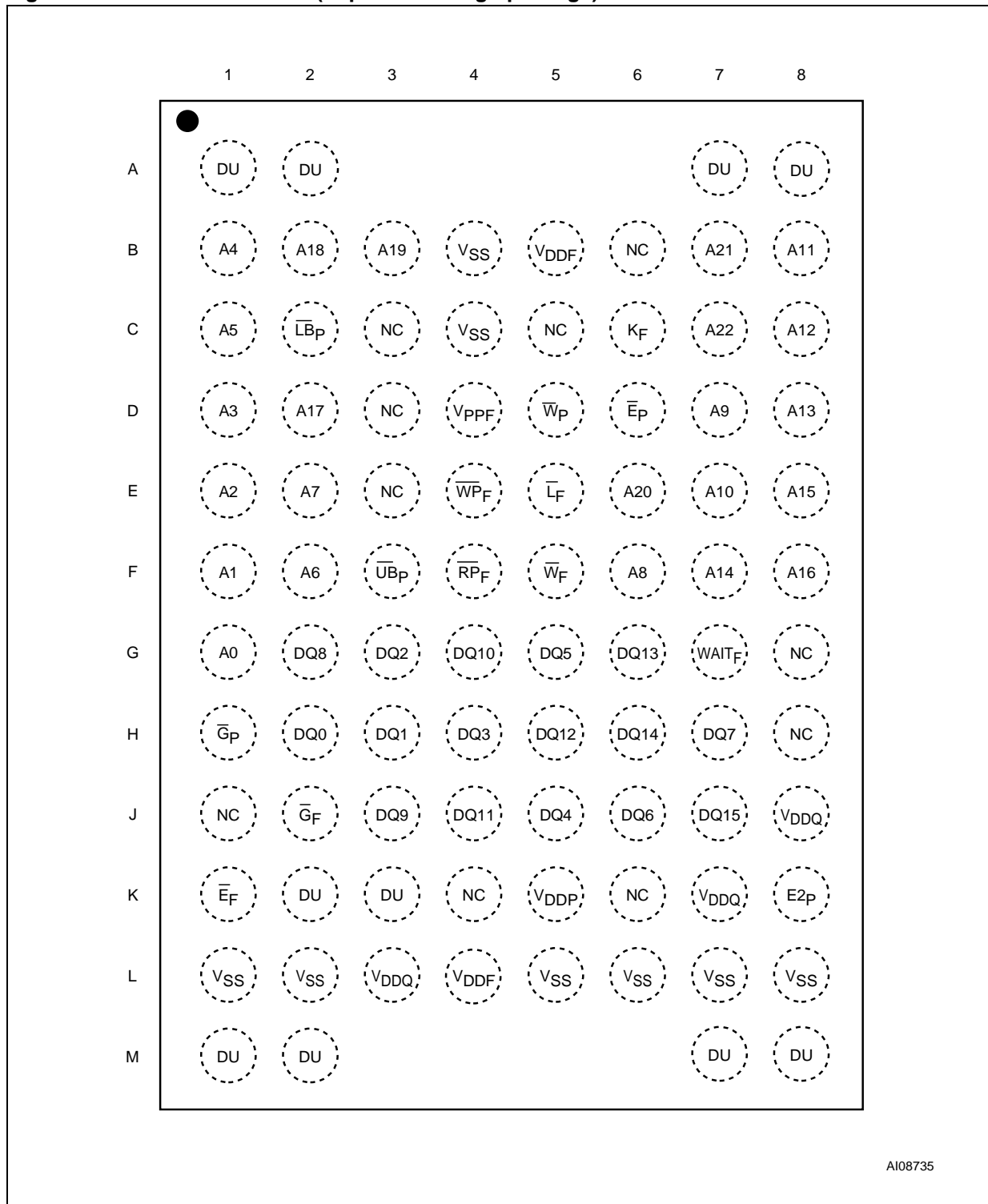


Table 1. Signal Names

A0-A22 <sup>(1)</sup>	Address Inputs
DQ0-DQ15	Common Data Input/Output
VDDF	Power Supply for Flash Memory
VDDQ	Flash Memory Power Supply for I/O Buffers
VPPF	Flash Optional Supply Voltage for Fast Program and Erase
VSS	Ground
VDDP	PSRAM Power Supply
NC	Not Connected Internally
DU	Do Not Use as Internally Connected
<b>Flash Memory Signals</b>	
LF-bar	Latch Enable Input
EF-bar	Chip Enable Input
GF-bar	Output Enable Input
WF-bar	Write Enable Input
RPF-bar	Reset Input
WPF-bar	Write Protect Input
KF	Burst Clock
WAITF	Wait Data in Burst Mode
<b>PSRAM Signals</b>	
E1P-bar	Chip Enable Input
GP-bar	Output Enable Input
WP-bar	Write Enable Input
E2P	Power-down Input
UBp-bar	Upper Byte Enable Input
LBp-bar	Lower Byte Enable Input

Note: 1. A22-A20 are not connected to the PSRAM component.

Figure 3. TFBGA Connections (Top view through package)



## SIGNAL DESCRIPTIONS

See [Figure 2., Logic Diagram](#) and [Table 1., Signal Names](#), for a brief overview of the signals connected to this device.

**Address Inputs (A0-A22).** Addresses A0-A19 are common inputs for the Flash Memory and the PSRAM components. The other lines (A20-A22) are inputs for the Flash Memory component only.

The Address Inputs select the cells in the memory array to access during Bus Read operations. During Bus Write operations they control the commands sent to the Command Interface of the Flash memory Program/Erase Controller or they select cells to be accessed in the PSRAM.

The Flash memory component is accessed through the Chip Enable signal ( $\overline{E}_F$ ) and through the Write Enable ( $\overline{W}_F$ ) signal, while the PSRAM is accessed through two Chip Enable signals ( $\overline{E}_{1P}$  and  $\overline{E}_{2P}$ ) and the Write Enable signal ( $\overline{W}_P$ ).

**Data Input/Output (DQ0-DQ15).** In the Flash memory the Data I/O outputs the data stored at the selected address during a Bus Read operation or inputs a command or the data to be programmed during a Write Bus operation.

In the PSRAM The Upper Byte Data Inputs/Outputs, DQ8-DQ15, carry the data to or from the upper part of the selected address during a Write or Read operation, when Upper Byte Enable ( $\overline{UB}_P$ ) is driven Low.

The Lower Byte Data Inputs/Outputs, DQ0-DQ7, carry the data to or from the lower part of the selected address during a Write or Read operation, when Lower Byte Enable ( $\overline{LB}_P$ ) is driven Low.

**Flash Chip Enable ( $\overline{E}_F$ ).** The Chip Enable input activates the memory control logic, input buffers, decoders and sense amplifiers. When Chip Enable is Low,  $V_{IL}$ , and Reset is High,  $V_{IH}$ , the device is in active mode. When Chip Enable is at  $V_{IH}$  the Flash memory is deselected, the outputs are high impedance and the power consumption is reduced to the standby level.

**Flash Output Enable ( $\overline{G}_F$ ).** The Output Enable input controls data output during Flash memory Bus Read operations.

**Flash Write Enable ( $\overline{W}_F$ ).** The Write Enable controls the Bus Write operation of the Flash memories' Command Interface. The data and address inputs are latched on the rising edge of Chip Enable or Write Enable whichever occurs first.

**Flash Write Protect ( $\overline{WP}_F$ ).** Write Protect is an input that gives an additional hardware protection for each block. When Write Protect is Low,  $V_{IL}$ , Lock-Down is enabled and the protection status of the Locked-Down blocks cannot be changed. When Write Protect is at High,  $V_{IH}$ , Lock-Down is disabled and the Locked-Down blocks can be

locked or unlocked. (See the Lock Status Table in the M30W0T7000x0 datasheet).

**Flash Reset ( $\overline{RP}_F$ ).** The Reset input provides a hardware reset of the memory. When Reset is at  $V_{IL}$ , the memory is in Reset mode: the outputs are high impedance and the current consumption is reduced to the Reset Supply Current  $I_{DD2}$ . Refer to [Table 6., Flash Memory DC Characteristics - Currents](#), for the value of  $I_{DD2}$ . After Reset all blocks are in the Locked state and the Configuration Register is reset. When Reset is at  $V_{IH}$ , the device is in normal operation. Exiting Reset mode the device enters Asynchronous Read mode, but a negative transition of Chip Enable or Latch Enable is required to ensure valid data outputs.

The Reset pin can be interfaced with 3V logic without any additional circuitry. It can be tied to  $V_{RPH}$  (refer to [Table 7., Flash Memory DC Characteristics - Voltages](#)).

**Flash Latch Enable ( $\overline{L}_F$ ).** Latch Enable latches the address bits on its rising edge. The address latch is transparent when Latch Enable is Low,  $V_{IL}$ , and it is inhibited when Latch Enable is High,  $V_{IH}$ . Latch Enable can be kept Low (also at board level) when the Latch Enable function is not required or supported.

**Flash Clock ( $K_F$ ).** The Clock input synchronizes the Flash memory to the microcontroller during synchronous read operations; the address is latched on a Clock edge (rising or falling, according to the configuration settings) when Latch Enable is at  $V_{IL}$ . Clock is don't care during Asynchronous Read and in write operations.

**Flash Wait ( $\overline{WAIT}_F$ ).** WAIT is a Flash output signal used during Synchronous Read to indicate whether the data on the output bus are valid. This output is high impedance when Flash Chip Enable is at  $V_{IH}$  or Flash Reset is at  $V_{IL}$ . It can be configured to be active during the wait cycle or one clock cycle in advance. The  $\overline{WAIT}_F$  signal is not gated by Output Enable.

**PSRAM Chip Enable ( $\overline{E}_{1P}$ ).** When asserted (Low), the Chip Enable,  $\overline{E}_{1P}$ , activates the memory state machine, address buffers and decoders, allowing Read and Write operations to be performed. When de-asserted (High), all other pins are ignored, and the device is put, automatically, in low-power Standby mode.

**PSRAM Chip Enable ( $\overline{E}_{2P}$ ).** The Chip Enable,  $\overline{E}_{2P}$ , puts the device in Deep Power-down mode when it is driven Low. This is the lowest power mode.

**PSRAM Output Enable ( $\overline{G}_P$ ).** The Output Enable,  $\overline{G}_P$ , provides a high speed tri-state control, allowing fast read/write cycles to be achieved with the common I/O data bus.

**PSRAM Write Enable ( $\overline{W_P}$ ).** The Write Enable,  $\overline{W_P}$ , controls the Bus Write operation of the memory.

**PSRAM Upper Byte Enable ( $\overline{UB_P}$ ).** The Upper Byte Enable,  $\overline{UB_P}$ , gates the data on the Upper Byte Data Inputs/Outputs (DQ8-DQ15) to or from the upper part of the selected address during a Write or Read operation.

**PSRAM Lower Byte Enable ( $\overline{LB_P}$ ).** The Lower Byte Enable,  $\overline{LB_P}$ , gates the data on the Lower Byte Data Inputs/Outputs (DQ0-DQ7) to or from the lower part of the selected address during a Write or Read operation.

**$V_{DDF}$  Supply Voltage.**  $V_{DDF}$  provides the power supply to the internal cores of the Flash memory component. It is the main power supply for all Flash operations (Read, Program and Erase).

**$V_{DDP}$  Supply Voltage.** The  $V_{DDP}$  Supply Voltage supplies the power for all operations (Read or Write) and for driving the refresh logic, even when the device is not being accessed.

**$V_{DDQ}$  Supply Voltage.**  $V_{DDQ}$  provides the power supply for the Flash Memory I/O pins. This allows all Outputs to be powered independently of the Flash Memory core power supply,  $V_{DDF}$ .

**$V_{PPF}$  Program Supply Voltage.**  $V_{PPF}$  is both a Flash control input and a Flash power supply pin.

The two functions are selected by the voltage range applied to the pin.

If  $V_{PPF}$  is kept in a low voltage range (0V to  $V_{DDQ}$ )  $V_{PPF}$  is seen as a control input. In this case a voltage lower than  $V_{PPLKF}$  gives an absolute protection against Program or Erase, while  $V_{PPF} > V_{PP1F}$  enables these functions (see Tables 6 and 7, DC Characteristics for the relevant values).  $V_{PPF}$  is only sampled at the beginning of a Program or Erase; a change in its value after the operation has started does not have any effect and Program or Erase operations continue.

If  $V_{PPF}$  is in the range of  $V_{PPHF}$  it acts as a power supply pin. In this condition  $V_{PPF}$  must be stable until the Program/Erase algorithm is completed.

**Vss Ground.**  $V_{SS}$  is the common ground reference for all voltage measurements in the Flash (core and I/O Buffers) and PSRAM chips.

**Note:** Each Flash memory device in a system should have their supply voltage ( $V_{DDF1}$  and  $V_{DDF2}$ ) and the program supply voltage  $V_{PPF}$  decoupled with a 0.1 $\mu$ F ceramic capacitor close to the pin (high frequency, inherently low inductance capacitors should be as close as possible to the package). See Figure 6., AC Measurement Load Circuit. The PCB track widths should be sufficient to carry the required  $V_{PPF}$  program and erase currents.

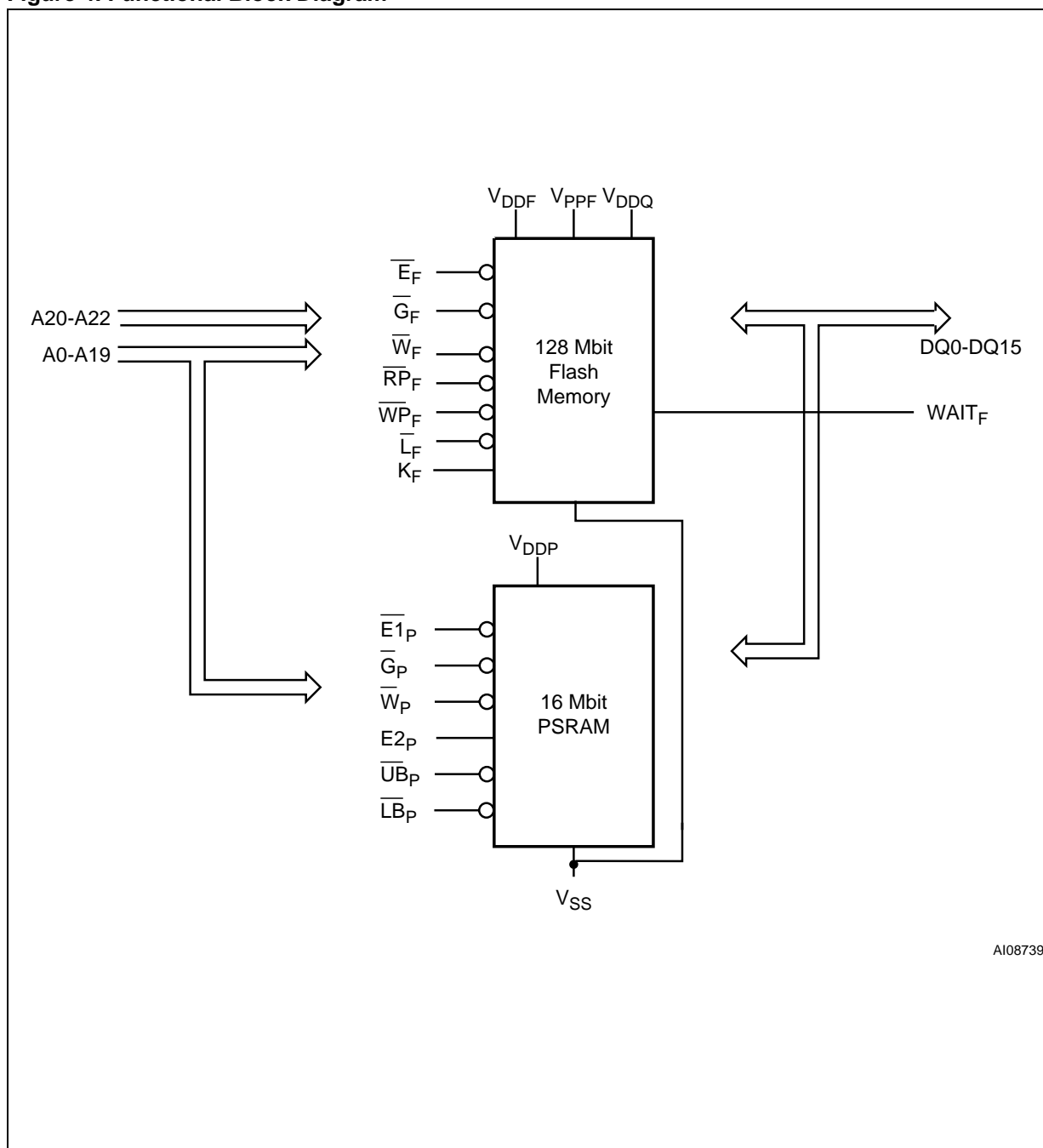
### FUNCTIONAL DESCRIPTION

The PSRAM and Flash memory components have separate power supplies but share the same grounds. They are distinguished by three Chip Enable inputs:  $\overline{E}_F$  for the Flash memory and  $E1_P$  and  $E2_P$  for the PSRAM.

Recommended operating conditions do not allow more than one device to be active at a time. The

most common example is simultaneous read operations in the Flash memory and the PSRAM which would result in a data bus contention. Therefore it is recommended to put the other device in the high impedance state when reading the selected device.

Figure 4. Functional Block Diagram



AI08739



Table 2. Main Operating Modes

Operation	$\overline{E}_F$	$\overline{G}_F$	$\overline{W}_F$	$\overline{L}_F$	$\overline{R}_P$	$WAIT_F^{(4)}$	$\overline{E1}_P$	$\overline{E2}_P$	$\overline{G}_P$	$\overline{W}_P$	$\overline{LB}_P, \overline{UB}_P$	DQ15-DQ0
Flash Read	$V_{IL}$	$V_{IL}$	$V_{IH}$	$V_{IL}^{(2)}$	$V_{IH}$		PSRAM must be disabled					Flash Data Out
Flash Write	$V_{IL}$	$V_{IH}$	$V_{IL}$	$V_{IL}^{(2)}$	$V_{IH}$							Flash Data In
Flash Address Latch	$V_{IL}$	X	$V_{IH}$	$V_{IL}$	$V_{IH}$							Flash Data Out or Hi-Z <sup>(3)</sup>
Flash Output Disable	$V_{IL}$	$V_{IH}$	$V_{IH}$	X	$V_{IH}$		Any PSRAM mode is allowed					Hi-Z
Flash Standby	$V_{IH}$	X	X	X	$V_{IH}$	Hi-Z						Hi-Z
Flash Reset	X	X	X	X	$V_{IL}$	Hi-Z						Hi-Z
PSRAM Read	Flash Memory must be disabled						$V_{IL}$	$V_{IH}$	$V_{IL}$	$V_{IH}$	$V_{IL}$	PSRAM data out
PSRAM Write	Flash Memory must be disabled						$V_{IL}$	$V_{IH}$	$V_{IH}$	$V_{IL}$	$V_{IL}$	PSRAM data in
Output Disable	Any Flash mode is allowed						$V_{IL}$	$V_{IH}$	$V_{IH}$	$V_{IH}$	X	Hi-Z
PSRAM Standby							$V_{IH}$	$V_{IH}$	X	X	X	Hi-Z
PSRAM Deep Power-Down							X	$V_{IL}$	X	X	X	Hi-Z

Note: 1. X = Don't care.

2.  $L_F$  can be tied to  $V_{IH}$  if the valid address has been previously latched.

3. Depends on  $G_F$ .

4. WAIT signal polarity is configured using the Set Configuration Register command. See the M30W0T7000x0 datasheet for details.

## **M36W0T7040T0, M36W0T7040B0**

---

### **FLASH MEMORY DEVICE**

The M36W0T7040T0 and M36W0T7040B0 contain a 128 Mbit Flash memory. For detailed information on how to use the devices, see the

M30W0T7000(T/B)0 datasheet which is available from your local STMicroelectronics distributor.

### **PSRAM DEVICE**

The M36W0T7040T0 and M36W0T7040B0 contain a 16 Mbit PSRAM. For detailed information on how to use the device, see the M69AW024B

datasheet which is available from the internet site <http://www.st.com> or from your local STMicroelectronics distributor.

## MAXIMUM RATING

Stressing the device above the rating listed in the Absolute Maximum Ratings table may cause permanent damage to the device. These are stress ratings only and operation of the device at these or any other conditions above those indicated in the Operating sections of this specification is not im-

plied. Exposure to Absolute Maximum Rating conditions for extended periods may affect device reliability. Refer also to the STMicroelectronics SURE Program and other relevant quality documents.

**Table 3. Absolute Maximum Ratings**

Symbol	Parameter	Value		Unit
		Min	Max	
T <sub>A</sub>	Ambient Operating Temperature	-30	85	°C
T <sub>BIAS</sub>	Temperature Under Bias	-25	85	°C
T <sub>STG</sub>	Storage Temperature	-55	125	°C
T <sub>LEAD</sub>	Lead Temperature during Soldering		(1)	°C
V <sub>IO</sub>	Input or Output Voltage	-0.5	3.6	V
V <sub>DDF</sub>	Flash Memory Core Supply Voltage	-0.2	2.5	V
V <sub>DDQ</sub> , V <sub>DDP</sub>	PSRAM and Input/Output Supply Voltages	-0.2	3.6	V
V <sub>PPF</sub>	Flash Program Voltage	-0.2	14	V
I <sub>O</sub>	Output Short Circuit Current		100	mA
t <sub>VPPFH</sub>	Time for V <sub>PPF</sub> at V <sub>PPFH</sub>		100	hours

Note: 1. Compliant with the JEDEC Std J-STD-020B (for small body, Sn-Pb or Pb assembly), the ST ECOPACK® 7191395 specification, and the European directive on Restrictions on Hazardous Substances (RoHS) 2002/95/EU.

### DC AND AC PARAMETERS

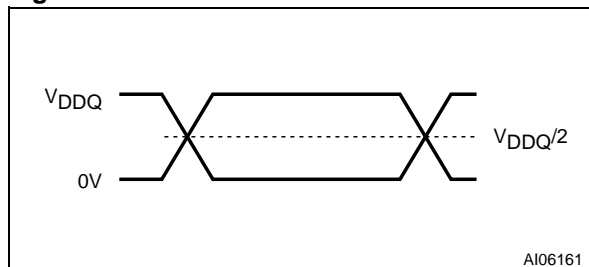
This section summarizes the operating measurement conditions, and the DC and AC characteristics of the device. The parameters in the DC and AC characteristics Tables that follow, are derived from tests performed under the Measurement

Conditions summarized in [Table 4., Operating and AC Measurement Conditions](#). Designers should check that the operating conditions in their circuit match the operating conditions when relying on the quoted parameters.

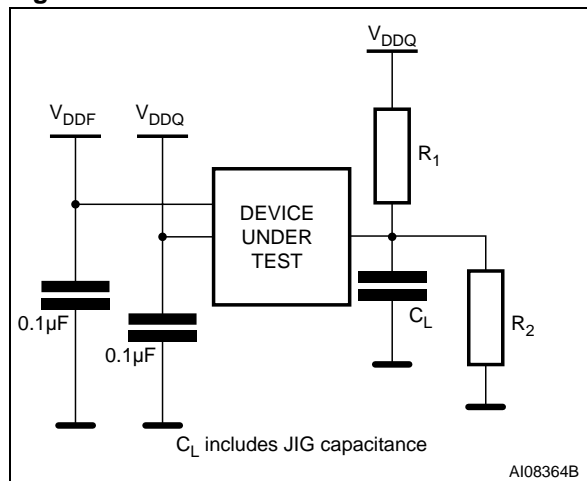
**Table 4. Operating and AC Measurement Conditions**

Parameter	Flash Memories		PSRAM		Unit
	Min	Max	Min	Max	
V <sub>DDF</sub> Supply Voltage	1.7	2.0	–	–	V
V <sub>DDP</sub> Supply Voltage	–	–	2.7	3.3	V
V <sub>DDQF</sub> Supply Voltage	2.7	3.3	–	–	V
V <sub>PPF</sub> Supply Voltage (Factory environment)	11.4	12.6	–	–	V
V <sub>PPF</sub> Supply Voltage (Application environment)	–0.4	V <sub>DDQ</sub> +0.4	–	–	V
Ambient Operating Temperature	–40	85	–30	85	°C
Load Capacitance (C <sub>L</sub> )	30		50		pF
Output Circuit Resistors (R <sub>1</sub> , R <sub>2</sub> )	22		22		kΩ
Input Rise and Fall Times		5	5		ns
Input Pulse Voltages	0 to V <sub>DDQ</sub>		0 to V <sub>DDQ</sub>		V
Input and Output Timing Ref. Voltages	V <sub>DDQ</sub> /2		V <sub>DDQ</sub> /2		V

**Figure 5. AC Measurement I/O Waveform**



**Figure 6. AC Measurement Load Circuit**



**Table 5. Device Capacitance**

Symbol	Parameter	Test Condition	Min	Max	Unit
C <sub>IN</sub>	Input Capacitance	V <sub>IN</sub> = 0V		12	pF
C <sub>OUT</sub>	Output Capacitance	V <sub>OUT</sub> = 0V		15	pF

Note: Sampled only, not 100% tested.

Table 6. Flash Memory DC Characteristics - Currents

Symbol	Parameter	Test Condition	Min	Typ	Max	Unit
$I_{LI}$	Input Leakage Current	$0V \leq V_{IN} \leq V_{DDQ}$			$\pm 2$	$\mu A$
$I_{LO}$	Output Leakage Current	$0V \leq V_{OUT} \leq V_{DDQ}$			$\pm 10$	$\mu A$
$I_{DD1}$	Supply Current Asynchronous Read (f=13MHz)	$\bar{E}_F = V_{IL}, \bar{G}_F = V_{IH}$		4	10	mA
		4 Word		7	15	mA
	Supply Current Synchronous Read (f=40MHz)	8 Word		9	16	mA
		16 Word		11	20	mA
		Continuous		12	22	mA
$I_{DD2}$	Supply Current (Reset)	$\bar{R}P_F = V_{SS} \pm 0.2V$		8	70	$\mu A$
$I_{DD3}$	Supply Current (Standby)	$\bar{E}_F = V_{DDF} \pm 0.2V$		8	70	$\mu A$
$I_{DD4}$	Supply Current (Automatic Standby)	$\bar{E}_F = V_{IL}, \bar{G}_F = V_{IH}$		8	70	$\mu A$
$I_{DD5}^{(1)}$	Supply Current (Program)	$V_{PPF} = V_{PPH}$		8	15	mA
		$V_{PPF} = V_{DDF}$		10	20	mA
	Supply Current (Erase)	$V_{PPF} = V_{PPH}$		8	15	mA
		$V_{PPF} = V_{DDF}$		10	20	mA
$I_{DD6}^{(1,2)}$	Supply Current (Dual Operations)	Program/Erase in one Bank, Asynchronous Read in another Bank		14	30	mA
		Program/Erase in one Bank, Synchronous Read in another Bank		22	42	mA
$I_{DD7}^{(1)}$	Supply Current Program/ Erase Suspended (Standby)	$\bar{E}_F = V_{DDF} \pm 0.2V$		8	70	$\mu A$
$I_{PP1}^{(1)}$	$V_{PPF}$ Supply Current (Program)	$V_{PPF} = V_{PPH}$		2	5	mA
		$V_{PPF} = V_{DDF}$		0.2	5	$\mu A$
	$V_{PPF}$ Supply Current (Erase)	$V_{PPF} = V_{PPH}$		2	5	mA
		$V_{PPF} = V_{DDF}$		0.2	5	$\mu A$
$I_{PP2}$	$V_{PPF}$ Supply Current (Read)	$V_{PPF} \leq V_{DDF}$		0.2	5	$\mu A$
$I_{PP3}^{(1)}$	$V_{PPF}$ Supply Current (Standby)	$V_{PPF} \leq V_{DDF}$		0.2	5	$\mu A$

Note: 1. Sampled only, not 100% tested.

2.  $V_{DDF}$  Dual Operation current is the sum of read and program or erase currents.

**Table 7. Flash Memory DC Characteristics - Voltages**

Symbol	Parameter	Test Condition	Min	Typ	Max	Unit
V <sub>IL</sub>	Input Low Voltage		-0.5		0.4	V
V <sub>IH</sub>	Input High Voltage		V <sub>DDQ</sub> - 0.4		V <sub>DDQ</sub> + 0.4	V
V <sub>OL</sub>	Output Low Voltage	I <sub>OL</sub> = 100μA			0.1	V
V <sub>OH</sub>	Output High Voltage	I <sub>OH</sub> = -100μA	V <sub>DDQ</sub> - 0.1			V
V <sub>PP1</sub>	V <sub>PPF</sub> Program Voltage-Logic	Program, Erase	1.1	1.8	3.3	V
V <sub>PPH</sub>	V <sub>PPF</sub> Program Voltage Factory	Program, Erase	11.4	12	12.6	V
V <sub>PPLK</sub>	Program or Erase Lockout				0.4	V
V <sub>LKO</sub>	V <sub>DDF</sub> Lock Voltage		1			V
V <sub>RPH</sub>	$\overline{\text{RPF}}$ pin Extended High Voltage				3.3	V

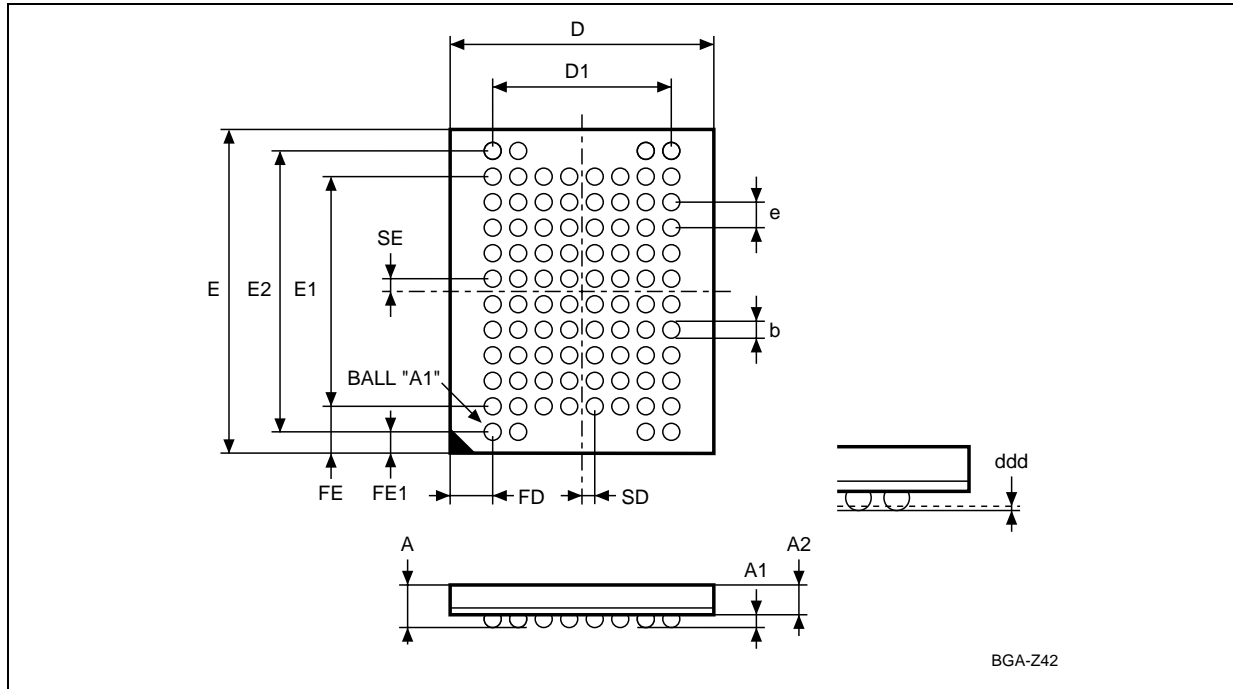
Table 8. PSRAM DC Characteristics

Symbol	Parameter	Test Condition	Min	Max	Unit	
I <sub>CC1</sub> (1)	Operating Supply Current	V <sub>DDP</sub> = 3.3V, V <sub>IN</sub> = V <sub>IH</sub> or V <sub>IL</sub> , E <sub>1P</sub> = V <sub>IL</sub> , E <sub>2P</sub> = V <sub>IH</sub> , I <sub>OUT</sub> = 0mA	t <sub>RC</sub> /t <sub>WC</sub> = Min		20	mA
			t <sub>RC</sub> /t <sub>WC</sub> = 1μs		3.0	mA
I <sub>LI</sub>	Input Leakage Current	0V ≤ V <sub>IN</sub> ≤ V <sub>DDP</sub>	-1	1	μA	
I <sub>LO</sub>	Output Leakage Current	0V ≤ V <sub>OUT</sub> ≤ V <sub>DDP</sub>	-1	1	μA	
I <sub>PD</sub>	Deep Power Down Current	V <sub>DDP</sub> = 3.3V, V <sub>IN</sub> = V <sub>IH</sub> or V <sub>IL</sub> , E <sub>2P</sub> ≤ 0.2V		10	μA	
I <sub>SB</sub>	Standby Supply Current CMOS	3.1V ≤ V <sub>DDP</sub> ≤ 3.3V, V <sub>IN</sub> = V <sub>IH</sub> or V <sub>IL</sub> , E <sub>1P</sub> = V <sub>IH</sub> and E <sub>2P</sub> = V <sub>IH</sub> , I <sub>OUT</sub> = 0mA		1.5	mA	
		2.7V ≤ V <sub>DDP</sub> ≤ 3.1V, V <sub>IN</sub> = V <sub>IH</sub> or V <sub>IL</sub> , E <sub>1P</sub> = V <sub>IH</sub> and E <sub>2P</sub> = V <sub>IH</sub> , I <sub>OUT</sub> = 0mA		1	mA	
		3.1V ≤ V <sub>DDP</sub> ≤ 3.3V, V <sub>IN</sub> ≤ 0.2V or ≥ V <sub>DDP</sub> - 0.2V, E <sub>1P</sub> ≥ V <sub>DDP</sub> - 0.2V and E <sub>2P</sub> ≥ V <sub>DDP</sub> - 0.2V, I <sub>OUT</sub> = 0mA		100	μA	
		2.7V ≤ V <sub>DDP</sub> ≤ 3.1V, V <sub>IN</sub> ≤ 0.2V or ≥ V <sub>DDP</sub> - 0.2V, E <sub>1P</sub> ≥ V <sub>DDP</sub> - 0.2V and E <sub>2P</sub> ≥ V <sub>DDP</sub> - 0.2V, I <sub>OUT</sub> = 0mA		70	μA	
V <sub>IH</sub> (2)	Input High Voltage	3.1V ≤ V <sub>DDP</sub> ≤ 3.3V	2.6	V <sub>DDP</sub> + 0.3	V	
		2.7V ≤ V <sub>DDP</sub> ≤ 3.1V	2.2	V <sub>DDP</sub> + 0.3	V	
V <sub>IL</sub> (3)	Input Low Voltage	3.1V ≤ V <sub>DDP</sub> ≤ 3.3V	-0.3	0.6	V	
		2.7V ≤ V <sub>DDP</sub> ≤ 3.1V	-0.3	0.5	V	
V <sub>OH</sub>	Output High Voltage	3.1V ≤ V <sub>DDP</sub> ≤ 3.3V, I <sub>OH</sub> = -0.5mA	2.5		V	
		2.7V ≤ V <sub>DDP</sub> ≤ 3.1V, I <sub>OH</sub> = -0.5mA	2.2		V	
V <sub>OL</sub>	Output Low Voltage	V <sub>DDP</sub> = 3V, I <sub>OL</sub> = 1mA		0.4	V	

Note: 1. Average AC current, Outputs open, cycling at t<sub>AVAX</sub> (min).  
2. Maximum DC voltage on input and I/O pins is V<sub>DDP</sub> + 0.3V.  
During voltage transitions, input may positive overshoot to V<sub>DDP</sub> + 1.0V for a period of up to 5ns.  
3. Minimum DC voltage on input or I/O pins is -0.3V.  
During voltage transitions, input may positive overshoot to V<sub>SS</sub> + 1.0V for a period of up to 5ns.

PACKAGE MECHANICAL

Figure 7. Stacked TFBGA88 8x10mm - 8x10 active ball array, 0.8mm pitch, Bottom View Outline



Note: Drawing is not to scale.

Table 9. Stacked TFBGA88 8x10mm - 8x10 active ball array, 0.8mm pitch, Package Data

Symbol	millimeters			inches		
	Typ	Min	Max	Typ	Min	Max
A			1.200			0.0472
A1		0.200			0.0079	
A2	0.850			0.0335		
b	0.350	0.300	0.400	0.0138	0.0118	0.0157
D	8.000	7.900	8.100	0.3150	0.3110	0.3189
D1	5.600			0.2205		
ddd			0.100			0.0039
E	10.000	9.900	10.100	0.3937	0.3898	0.3976
E1	7.200			0.2835		
E2	8.800			0.3465		
e	0.800	-	-	0.0315	-	-
FD	1.200			0.0472		
FE	1.400			0.0551		
FE1	0.600			0.0236		
SD	0.400			0.0157		
SE	0.400			0.0157		



## PART NUMBERING

**Table 10. Ordering Information Scheme**

Example:

M36W0 T 7 0 4 0 T 0 ZAQ T

**Device Type**

M36 = Multi-Chip Package (Flash + RAM)

**Flash 1 Architecture**

W = Multiple Bank, Burst mode

**Flash 2 Architecture**

0 = No Die

**Operating Voltage**

T =  $V_{DDF} = 1.7$  to  $2V$ ;  $V_{DDQ} = V_{DDP} = 2.7$  to  $3.3V$

**Flash 1 Density**

7 = 128 Mbit

**Flash 2 Density**

0 = No Die

**RAM 1 Density**

4 = 16 Mbit

**RAM 0 Density**

0 = No Die

**Parameter Blocks Location**

T = Top Boot Block Flash

B = Bottom Boot Block Flash

**Product Version**

0 =  $0.13\mu\text{m}$  Flash technology, 70ns speeds;

$0.18\mu\text{m}$  RAM, 70ns speed

**Package**

ZAQ = Stacked TFBGA88 8x10mm - 8x10 active ball array, 0.8mm pitch

**Option**

Blank = Standard Packing

T = Tape & Reel Packing

E = lead-free and RoHS package, standard packing

F = lead-free and RoHS package, tape and reel packing

Devices are shipped from the factory with the memory content bits erased to '1'. For a list of available options (Speed, Package, etc.) or for further information on any aspect of this device, please contact the ST-Microelectronics Sales Office nearest to you.

## **REVISION HISTORY**

**Table 11. Document Revision History**

<b>Date</b>	<b>Version</b>	<b>Revision Details</b>
29-Jul-2003	0.1	First Issue
10-Dec-2004	1.0	TFBGA88 package specifications updated, package fully compliant with the ST ECOPACK specification. Flash memory and PSRAM data updated to version 1.2 of the M30W0T7000x0 datasheet and to the version 4.0 of the M69AW024B datasheet. Document status promoted from Target Specification to full Datasheet.

Information furnished is believed to be accurate and reliable. However, STMicroelectronics assumes no responsibility for the consequences of use of such information nor for any infringement of patents or other rights of third parties which may result from its use. No license is granted by implication or otherwise under any patent or patent rights of STMicroelectronics. Specifications mentioned in this publication are subject to change without notice. This publication supersedes and replaces all information previously supplied. STMicroelectronics products are not authorized for use as critical components in life support devices or systems without express written approval of STMicroelectronics.

The ST logo is a registered trademark of STMicroelectronics.  
ECOPACK is a registered trademark of STMicroelectronics.  
All other names are the property of their respective owners

© 2004 STMicroelectronics - All rights reserved

STMicroelectronics group of companies  
Australia - Belgium - Brazil - Canada - China - Czech Republic - Finland - France - Germany - Hong Kong - India - Israel - Italy - Japan -  
Malaysia - Malta - Morocco - Singapore - Spain - Sweden - Switzerland - United Kingdom - United States of America  
[www.st.com](http://www.st.com)