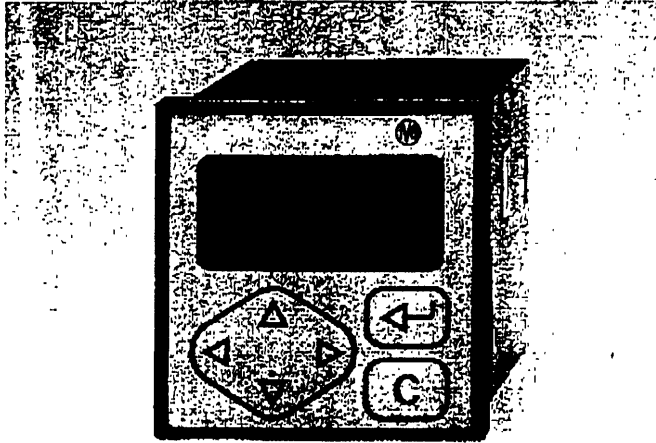


# Electronic Time Meter with Two Presets

329 0864



## BE 134



### Characteristics of device

Technology	µP - device
Functions	Main counter with one or two presets
Counting capacity:	9999.99 s 999.99.9 min 9999.99 min 9999.99 h
	8-digit totalizer
	Batch counter with or without preselection
	Interface RS485

### Ambient conditions

Ambient temperature	0 ... + 50 °C
Storage temperature	- 20 ... + 70 °C
Relative humidity	Max. relative humidity 80 %, at 25 °C, non-condensing
Protection	Front IP 65 to DIN 40050
Operational requirements	To contamination factor 2
Classification	According to EN 61 010 Category II
Interference immunity	EN 50 082 - 2 Severity grade 2 - 3
Emitted interference	EN 50 081 - 2
General rating	EN 61 010
Overvoltage protection	II

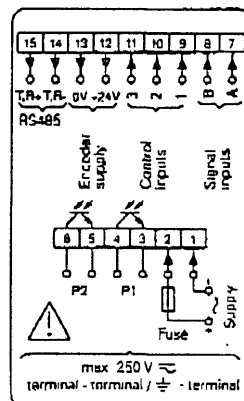
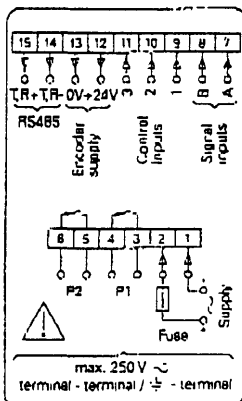
### Mechanical data

Display	LCD-display with two rows of digits Yellow background illumination 6-digit display of real values, 7 mm high 6-digit display of set values, 4 mm high Suppression of leading zero Time units can be programmed "h", "min", "s"
Reset	via C key External control inputs Automatic via preselection
Operation, keypad	Front membrane with short-stroke keys
Front dimensions	DIN housing 48 x 48 mm
Mounting	Front-plate installation
Fastening	By means of clamping frame
Weight	Version AC: 260 g Version DC: 140 g
Type of connection	Plug-in screw terminals Grid 5.08 mm / 3.81 mm
Core cross-section	Max. 1.5 mm <sup>2</sup>
Housing material	Polycarbonate black, UL 94V-0
Front membrane	Polyester

### Pin assignment

with relay outputs

with electronic outputs



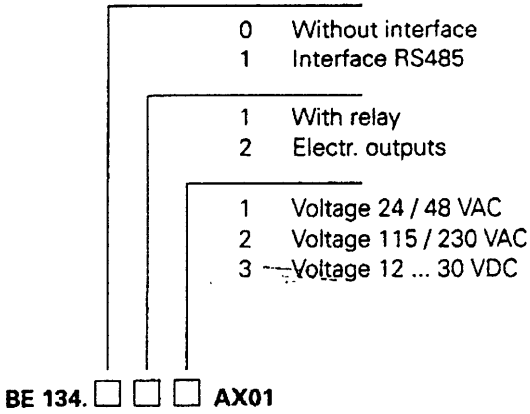
max. 250 V ~  
terminal - terminal / ⚡ - terminal

max. 250 V ~  
terminal - terminal / ⚡ - terminal

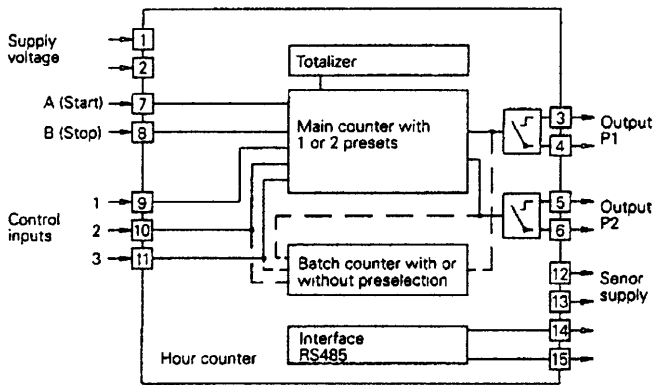


# BE 134

## Order designation



## Block diagram



## Electrical data

Supply voltage	Choice of two voltages (AC) via switch device.. Always set to higher voltage when supplied. 115 / 230 VAC ± 10 % (50 / 60 Hz) 24 / 48 VAC ± 10 % (50 / 60 Hz) 12 ... 30 VDC 5 % RW ± 10 %
Power consumption	5 VA, 4 W
Sensor supply	12 ... 26 VDC / 60 mA
Signal inputs	Comparator inputs PNP, NPN or AC logic, NAMUR Voltage level 4 ... 40 V Input resistance 3 kOhm
Counting rate	Batch counter Max. 20 Hz
Control inputs	3 control inputs for Reset, Stop, Hold, Print, Keylock, etc.
Signal outputs	Can be programmed as wipe contacts latched signals Impulse time to be programmed from 0.01 to 99.99 s
Relay signal outputs	2 floating relays to be programmed as normally closed or open Internal spark suppression Max. switching voltage 250 VAC / 110 VDC Max. switching current 1 A Max. switching capacity 150 VA / 30 W
Electronic outputs	Optocoupler Max. switching voltage 50 VDC Max. switching current 25 mA
Data back-up Modes	> 10 years via EEPROM To be programmed as adding or subtracting

## Dimensions and cutout size

