

2.0mm (0.079") Female Header

Dual Row Board to Board Connector (Straight)

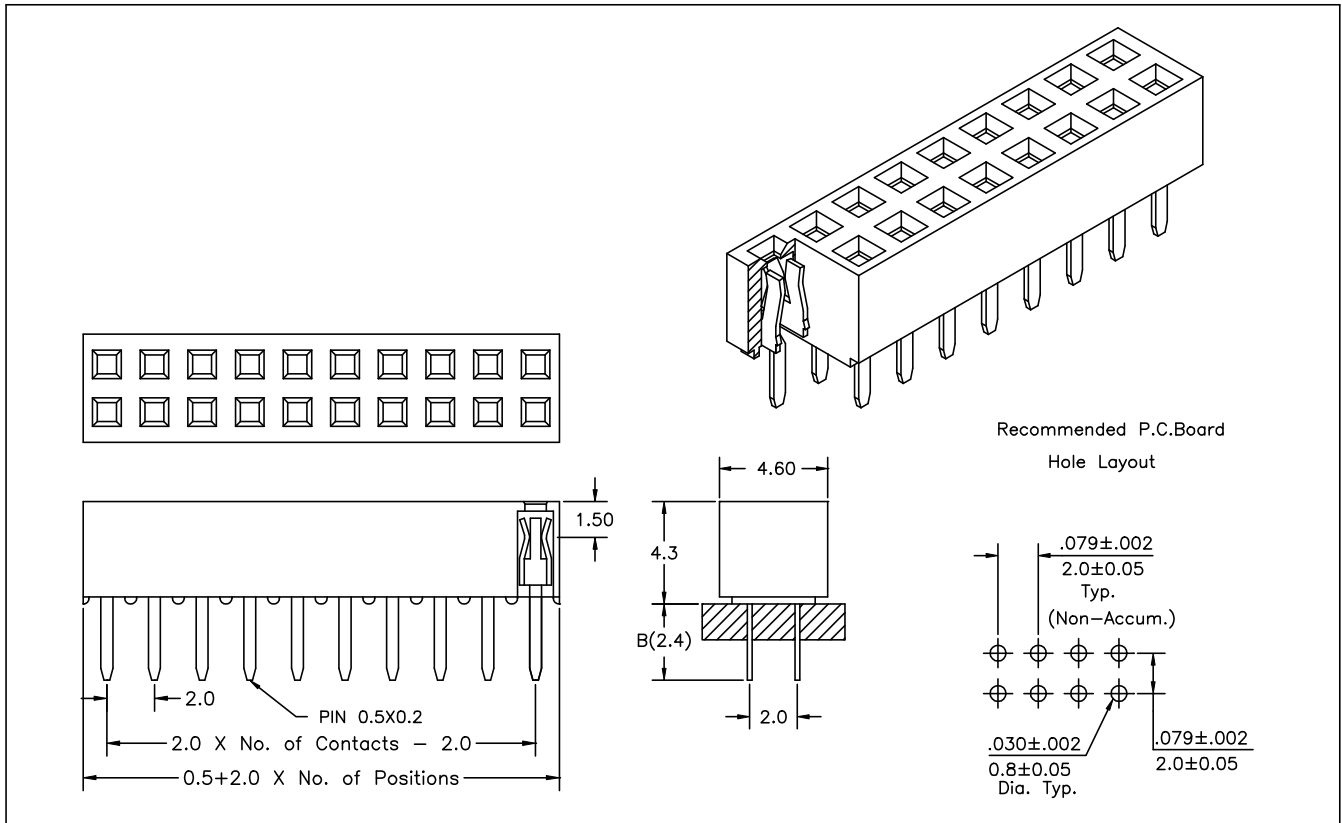
1212 Series

APPLICATION AND FEATURES

1. Low Profile: 4.3mm height.
2. High quality dual beam phosphor bronze contacts.
3. Designed for board to board small spacing interconnection.
4. Mating with 2.0mm pitch 0.5mm Pin Headers, such as 1202, 1204D & 1205 series.

SPECIFICATIONS

Current Rating: 1 Amp
 Insulator resistance: 5000 Megohms min.
 Contact resistance: 20 m ohm Max.
 Dielectric withstanding: AC 500 V
 Operating Temperature: -40° to +105°C
 Max Processing Temp: 230° for 30~60 seconds (260° for 10 seconds)
 Contact Material: Phosphor bronze
 Insulator Material: Polyester, UL 94V-0
 ©Standard: Nylon-6T



Order Information 1212 Series

Example: 1212-34-S-02-B

Series No.	Number of Contacts	Connector Type	Contact Plating	Pin Length mm
1212	06 to 80 Contacts	Straight	Tin Plated 01	B Code
			Gold Plated	1.2mm A
			Flash 02	2.4mm B
			10 μ" 10	3.2mm C
			30 μ" 30	