

# High-Voltage Liquid Lens Driver

## General Description

The MAX14515 high-voltage liquid lens driver features a high-voltage differential output controlled through an I<sup>2</sup>C interface. The MAX14515 uses a charge-pump-based boost converter and integrated H-bridge to provide a compact lens driver solution with minimal external components to achieve a small overall footprint suitable for small space constraints inside camera modules.

The MAX14515 features an 8-bit monotonic DAC with a single differential high-voltage output controlled by a 2-wire I<sup>2</sup>C interface to set the amplitude. The high-voltage outputs are capable of delivering up to 42V<sub>RMS</sub> (min) into a 220pF liquid lens load at 1.0kHz (min).

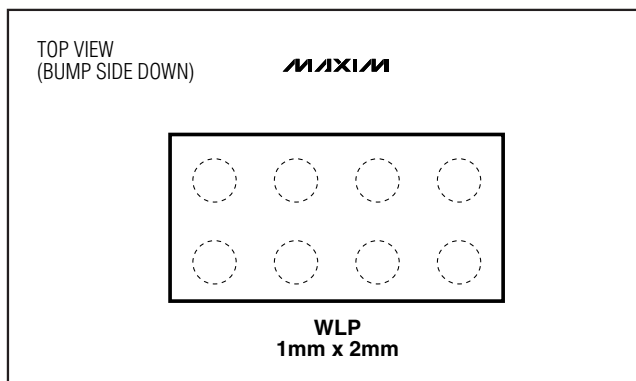
The MAX14515 also features two power-saving modes (shutdown mode and sleep mode) to minimize power consumption when the device is inactive. Shutdown mode places the device in a low-power state that resets all registers and disables the I<sup>2</sup>C interface to reduce current below 500nA (max). In sleep mode, the power-on reset circuit remains active. If no activity is detected on the I<sup>2</sup>C interface, current consumption is less than 3μA.

The MAX14515 operates over the +2.7V to +5.5V supply voltage range, ideal for portable applications using lithium ion battery sources. The MAX14515 is specified over the -40°C to +85°C extended temperature range and is available in a small (1mm x 2mm) 8-bump WLP package.

## Applications

Autofocus Camera Modules  
Barcode Readers  
Webcams

## Pin Configuration



## Features

- ◆ Small Footprint for Placement Inside Camera Modules
- ◆ 47V<sub>RMS</sub> Maximum Output (C<sub>LENS</sub> = 220pF)
- ◆ I<sup>2</sup>C-Compatible Interface for Setting Output Voltage
- ◆ 8-Bit Output Voltage Resolution
- ◆ Guaranteed Monotonic Output
- ◆ ±15kV Human Body Model ESD Protection on Outputs
- ◆ Low 500nA (max) Shutdown Current
- ◆ +2.7V to +5.5V Input Voltage Range
- ◆ Space-Saving, 8-Bump WLP (1mm x 2mm) Package

## Ordering Information

PART	TEMP RANGE	PIN-PACKAGE	TOP MARK
MAX14515EWA+	-40°C to +85°C	8 WLP	+AAA

+Denotes a lead-free/RoHS-compliant package.

## Typical Application Circuit

