



### TTL HS-1530 Series

### Description

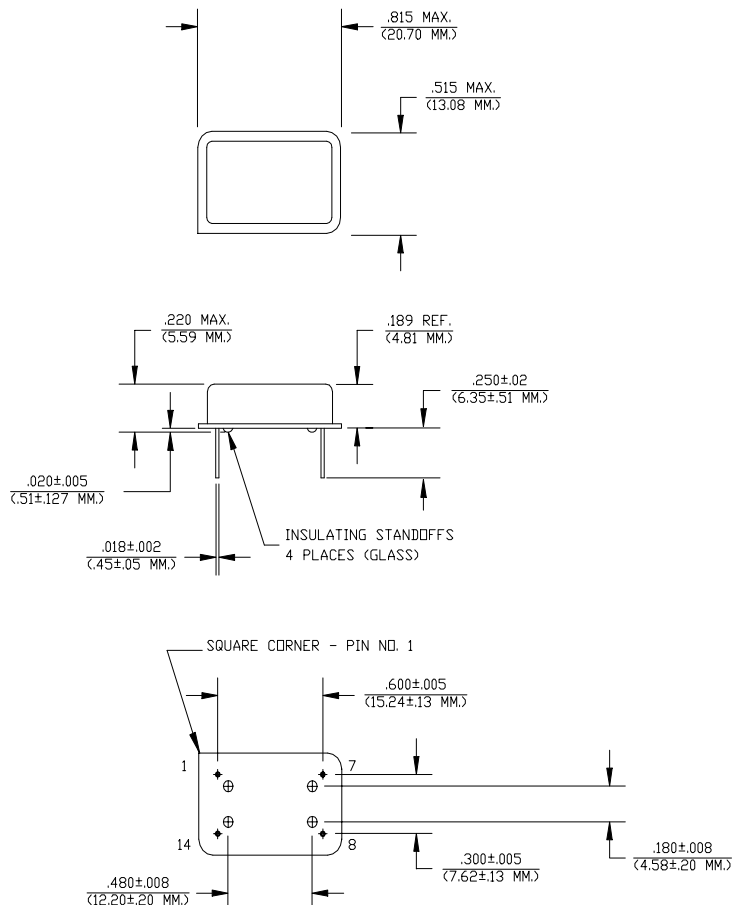
The **HS-1520 Series** of quartz crystal oscillators provide enable/disable 3-state TTL compatible signals for bus connected systems. Supplying Pin 1 of the HS-1520 units with a logic "1" enables its output on Pin 8. In the disabled mode, Pin 8 presents a high impedance to the load. All units are resistance welded in an all metal package, offering RFI shielding, and are designed to survive standard wave soldering operations without damage. Insulated standoffs to enhance board cleaning are standard.

### Features

- Wide frequency range— 80.0MHz to 140.0MHz
- User specified tolerance available
- Will withstand vapor phase temperatures of 253°C for 4 minutes maximum
- Space-saving alternative to discrete component oscillators
- High shock resistance, to 3000g
- All metal, resistance weld, hermetically sealed package
- Low Jitter
- High Q Crystal actively tuned oscillator circuit
- Power supply decoupling internal
- No internal PLL avoids cascading PLL problems
- Low power consumption
- Gold plated leads - Solder dipped leads available upon request
- RoHS Compliant, Lead Free Construction (unless solder dipped leads are supplied)

### Electrical Connection

Pin	Connection
1	Enable Input
7	Grd & Case
8	Output
14	V <sub>CC</sub>



Dimensions are in inches and (MM)



HS-1530 Continued  
TTL

Rev. H

### Operating Conditions and Output Characteristics

#### Electrical Characteristics

Parameter	Symbol	Conditions	Min	Typical	Max
Frequency	-----	-----	80.0MHz	-----	140.0MHz
Duty Cycle	-----	@ $V_{CC}/2$	40/60%	-----	60/40%
Logic 0	$V_{OL}$	@ 8mA	-----	-----	0.4V
Logic 1	$V_{OH}$	@ 0.4mA	2.4V	-----	-----
Rise & Fall Time	tr,tf	@ 0.4 to 2.4V	-----	1 ns	3 ns
Tpz	-----	-----	-----	-----	5 ms
Jitter, RMS <sup>(2)</sup>	-----	-----	-----	-----	5 psec
Frequency Stability <sup>(1)</sup>	dF/F	Overall conditions including: voltage, calibration, temp., 10 yr aging, shock, vibration	-100ppm	-----	+100ppm

www.DataSheet4U.com

#### General Characteristics

Parameter	Symbol	Conditions	Min	Typical	Max
Supply Voltage	$V_{CC}$	-----	4.75V	5.0V	5.25V
Supply Current	$I_{CC}$	No Load	0.0 mA	-----	80 mA
Output current	$I_O$	-----	0.0 mA	-----	±16.0 mA
Operating temperature	$T_A$	-----	0°C	-----	70°C
Storage temperature	$T_S$	-----	-55°C	-----	125°C
Power Dissipation	$P_D$	-----	-----	-----	420 mW
Lead temperature	$T_L$	Soldering, 10 sec.	-----	-----	300°C
Load	-----	-----	-----	-----	10TTL gate
Start-up time	$t_S$	-----	-----	-----	10 ms

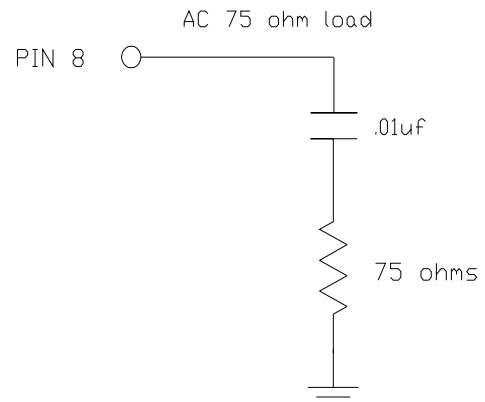
#### Environmental and Mechanical Characteristics

Mechanical Shock	Per MIL-STD-202, Method 213, Condition E
Thermal Shock	Per MIL-STD-833, Method 1011, Condition A
Vibration	0.060" double amplitude 10 Hz to 55 Hz, 35g's 55Hz to 2000 Hz
Soldering Condition	300°C for 10 seconds
Hermetic Seal	Leak rate less than $1 \times 10^{-8}$ atm.cc/sec of helium

#### Footnotes:

- Standard frequency stability (±20,±25,±50ppm & others available)
- Jitter performance is frequency dependent. Please contact factory for full characterization.  
RMS jitter bandwidth of 12kHz to 20MHz.

#### Test Load:



Creating a Part Number	
<b>HS - X153X - FREQ</b>	
<b>Package Code</b>	<b>Tolerance/Performance</b>
HS Leaded 4 pin (14 pin)	0 ±100ppm 0-70°C
SM Leaded 4 pin (14 pin) SMD	1 ±50ppm 0-70°C
Gull Wing	7 ±25ppm 0-70°C
<b>Input Voltage</b>	9 Customer Specific
Code Specification	A ±20ppm 0-70°C
A 3.3V	B ±50ppm -40 to +85°C
5V	C ±100ppm -40 to +85°C