

PLEASE CHECK WWW.MOLEX.COM FOR LATEST PART INFORMATION

Part Number: [5019517010](#)
Status: **Active**
Description: 0.50mm (.020") Pitch Easy-On™ FFC/FPC Connector, Vertical, SMT, Gold Plating, 70 Circuits

Documents:

[3D Model](#) [Product Specification PS-501951-002 \(PDF\)](#)
[Drawing \(PDF\)](#) [RoHS Certificate of Compliance \(PDF\)](#)

General

Product Family FFC/FPC Connectors
 Series [501951](#)
 Product Name Easy-On™

Physical

Circuits (Loaded) 70
 Circuits (maximum) 70
 Color - Resin Brown, Natural
 Contact Position N/A
 Durability (mating cycles max) 20
 Entry Angle Vertical
 Mated Height (in) 0.159 In
 Mated Height (mm) 4.05 mm
 Material - Metal Phosphor Bronze
 Material - Plating Mating Gold
 Material - Plating Termination Gold
 Number of Rows 1
 Orientation Vertical
 PCB Locator No
 PCB Retention Yes
 Packaging Type Embossed Tape on Reel
 Pitch - Mating Interface (in) 0.020 In
 Pitch - Mating Interface (mm) 0.50 mm
 Pitch - Term. Interface (in) 0.020 In
 Pitch - Term. Interface (mm) 0.50 mm
 Polarized to PCB No
 Stackable No
 Surface Mount Compatible (SMC) Yes
 Temperature Range - Operating -25°C to +85°C
 Termination Interface: Style Surface Mount
 Wire/Cable Type FFC/FPC

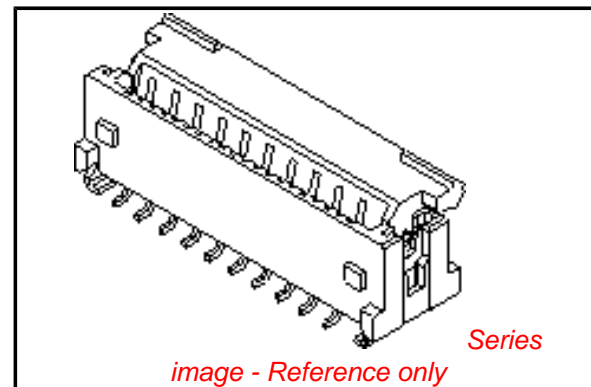
Electrical

Current - Maximum per Contact 0.4A
 Voltage - Maximum 50V AC (RMS)/DC

Material Info

Reference - Drawing Numbers

Product Specification PS-501951-002, RPS-501951-001, RPS-501951-007,
 RPS-501951-009, RPS-501951-011, RPS-501951-015
 Sales Drawing SD-501951-003, SD-501951-004



EU RoHS

**ELV and RoHS
 Compliant**
REACH SVHC
 Not Reviewed
**Halogen-Free
 Status**
Not Reviewed

China RoHS



**Need more information on product
 environmental compliance?**

Email productcompliance@molex.com
 For a multiple part number RoHS Certificate of
 Compliance, [click here](#)

Please visit the [Contact Us](#) section for any
 non-product compliance questions.

Search Parts in this Series
[501951Series](#)

10

9

8

7

6

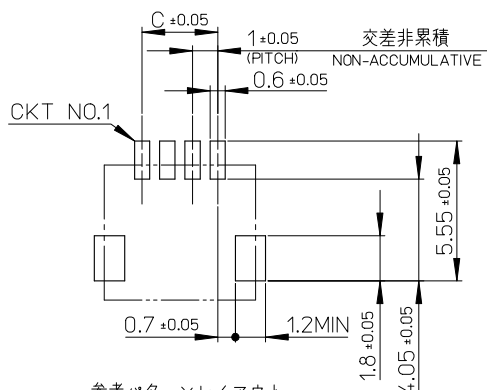
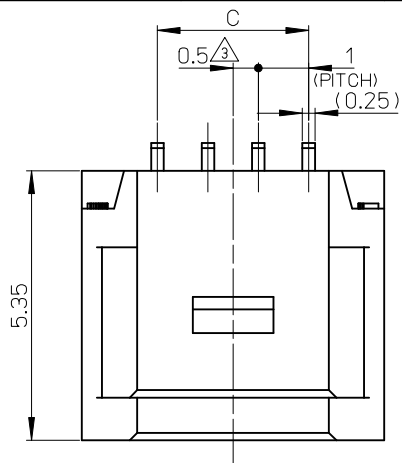
5

4

3

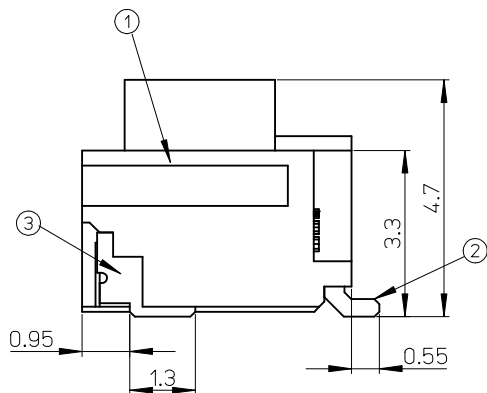
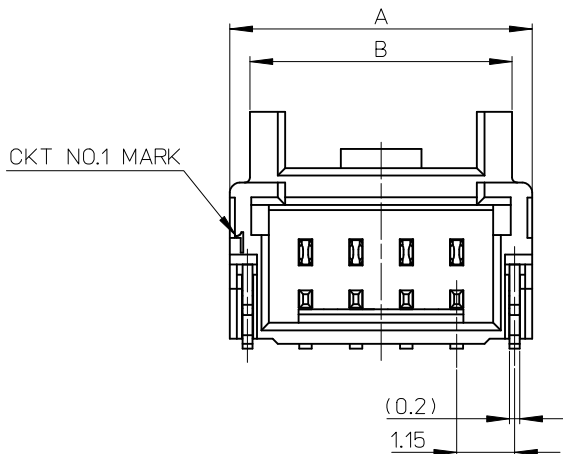
2

1



参考パターンレイアウト

RECOMMENDED PATTERN DIM. (REF)
SCALE 5:1

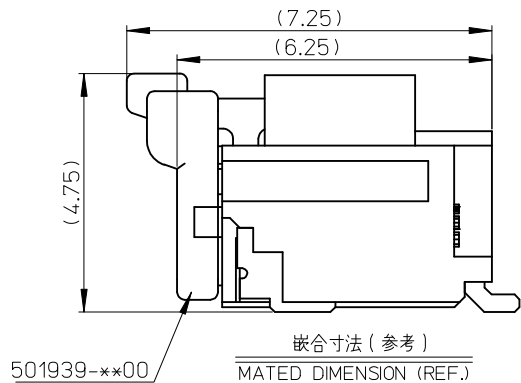


番号 NO.	部品 PART	材質 MATERIAL
①	ウェハー WAFER	耐熱ナイロン樹脂 UL94V-0 色:表参照 HEAT RESISTANCE NYLON .COLOR:SEE TABLE UL94V-0
②	ソルダーピン SOLDER PIN	りん青銅 PHOSPHOR BRONZE 錫メッキ: 1.0 μmMIN. TIN ニッケルメッキ(下地): 1.0 μmMIN. NICKEL(UNDER PLATING)
③	ネイル NAIL	黄銅 BRASS 錫メッキ: 1.0 μmMIN. TIN ニッケルメッキ(下地): 1.0 μmMIN. NICKEL(UNDER PLATING)

NOTES.

1. 嵌合相手: 501939-****
MATE WITH: 501939-****
2. ソルダーピン及びネイル平坦度は、0.1MAX.
SOLDER PIN AND NAIL COPLANARITY TO BE 0.1MAX.
- △ 極数=偶数に適用
APPLY FOR CKT SIZE=EVEN
- 4.ELV AND RoHS COMPLIANT.

4.0	5.2	7.0	5
3.0		6.0	4
2.0	4.2	5.0	3
C	B	A	極数 CIRCUITS

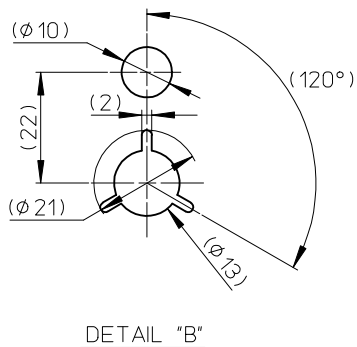
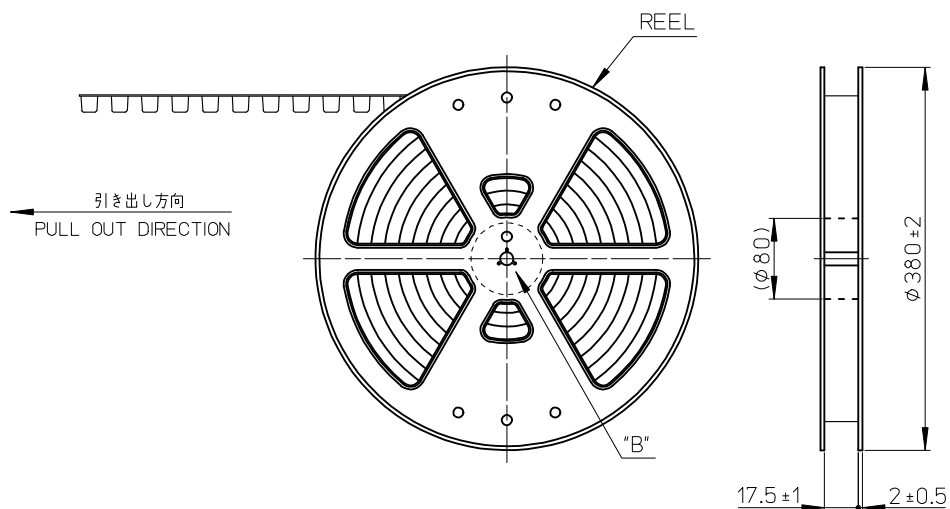


嵌合寸法(参考)
MATED DIMENSION (REF.)

REVISED EC NO: J2010-0339 DRWN: TAKAGAWA01 2009/09/01 CHKD: MATSUMOTO 2009/09/01 APPR: HIRATA 2009/09/01	GENERAL TOLERANCES (UNLESS SPECIFIED)		DIMENSION STYLE MM ONLY		SCALE 10:1		DESIGN UNITS METRIC		THIRD ANGLE PROJECTION		
	10 UNDER	± 0.2	DRAWN BY	DATE	TITLE						
	10 OVER 30 UNDER	± 0.25	NYOSHIDA	2005/09/16	1.0 WIRE TO BOARD CONN. WAFER ASS'Y 1-ROW R/A POSI-LOCK						
	30 OVER	± 0.3	AMIZUMURA	2005/09/16							
ANGULAR	± 3 °	APPROVED BY	DATE	MOLEX INCORPORATED		DOCUMENT NO.		SHEET NO.			
DRAFT WHERE APPLICABLE MUST REMAIN WITHIN DIMENSIONS		MYAGI	2005/09/16	SEE SHEET 2		SD-501953-001		1 OF 2			
		MATERIAL NO. THIS DRAWING CONTAINS INFORMATION THAT IS PROPRIETARY TO MOLEX INCORPORATED AND SHOULD NOT BE USED WITHOUT WRITTEN PERMISSION									

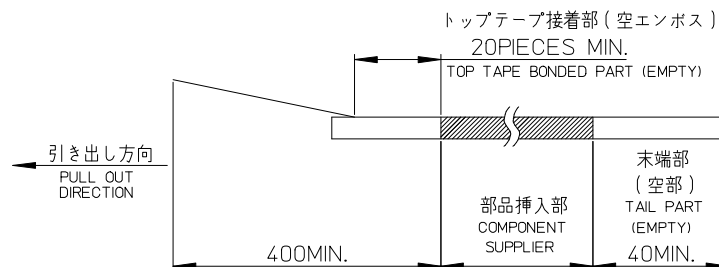
紫 PA46 VIOLET	橙 PA46 ORANGE	茶 PA46 BROWN	緑 PA46 GREEN	色 COLOR	
501953-0597	501953-0587	501953-0577	501953-0567	5	
501953-0497	501953-0487	501953-0477	501953-0467	4	
501953-0397	501953-0387	501953-0377	501953-0367	3	
EMBOSSSED PACKAGE	EMBOSSSED PACKAGE	EMBOSSSED PACKAGE	EMBOSSSED PACKAGE	極数	
オーダー番号 ORDER NO.	オーダー番号 ORDER NO.	オーダー番号 ORDER NO.	オーダー番号 ORDER NO.	CIRCUITS	
CONNECTOR SERIES No. 501953-***9					
青 PA46 BLUE	黄 PA46 YELLOW	赤 PA46 RED	黒 PA46 BLACK	自然色 PA6T NATURAL	色 COLOR
501953-0547	501953-0537	501953-0527		501953-0507	5
501953-0447	501953-0437	501953-0427	501953-0417	501953-0407	4
501953-0347	501953-0337	501953-0327	501953-0317	501953-0307	3
EMBOSSSED PACKAGE	EMBOSSSED PACKAGE	EMBOSSSED PACKAGE	EMBOSSSED PACKAGE	EMBOSSSED PACKAGE	極数
オーダー番号 ORDER NO.	オーダー番号 ORDER NO.	オーダー番号 ORDER NO.	オーダー番号 ORDER NO.	オーダー番号 ORDER NO.	CIRCUITS
CONNECTOR SERIES No. 501953-***9					

REVISED EC NO: J2010-0339 DRWN: TAKAGAWA01 2009/09/01 CHKD: MATSUMOTO 2009/09/01 APPR: HIRATA 2009/09/01	DESCRIPTION REV	GENERAL TOLERANCES (UNLESS SPECIFIED)		DIMENSION STYLE MM ONLY		SCALE ---	DESIGN UNITS METRIC	THIRD ANGLE PROJECTION		
		10 UNDER	± ---	DRAWN BY NYOSHIDA	DATE 2005/09/16	TITLE 1.0 WIRE TO BOARD CONN. WAFER ASS'Y 1-ROW R/A POSI-LOCK MOLEX INCORPORATED SEE TABLE SD-501953-001				
		10 OVER 30 UNDER	± ---	CHECKED BY AMIZUMURA	DATE 2005/09/16					
		30 OVER	± ---	APPROVED BY MYAGI	DATE 2005/09/16					
ANGULAR ± --- °		DRAFT WHERE APPLICABLE MUST REMAIN WITHIN DIMENSIONS		MATERIAL NO.	DOCUMENT NO.					
				SIZE A3	THIS DRAWING CONTAINS INFORMATION THAT IS PROPRIETARY TO MOLEX INCORPORATED AND SHOULD NOT BE USED WITHOUT WRITTEN PERMISSION					



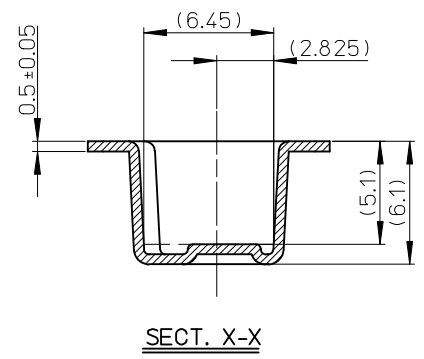
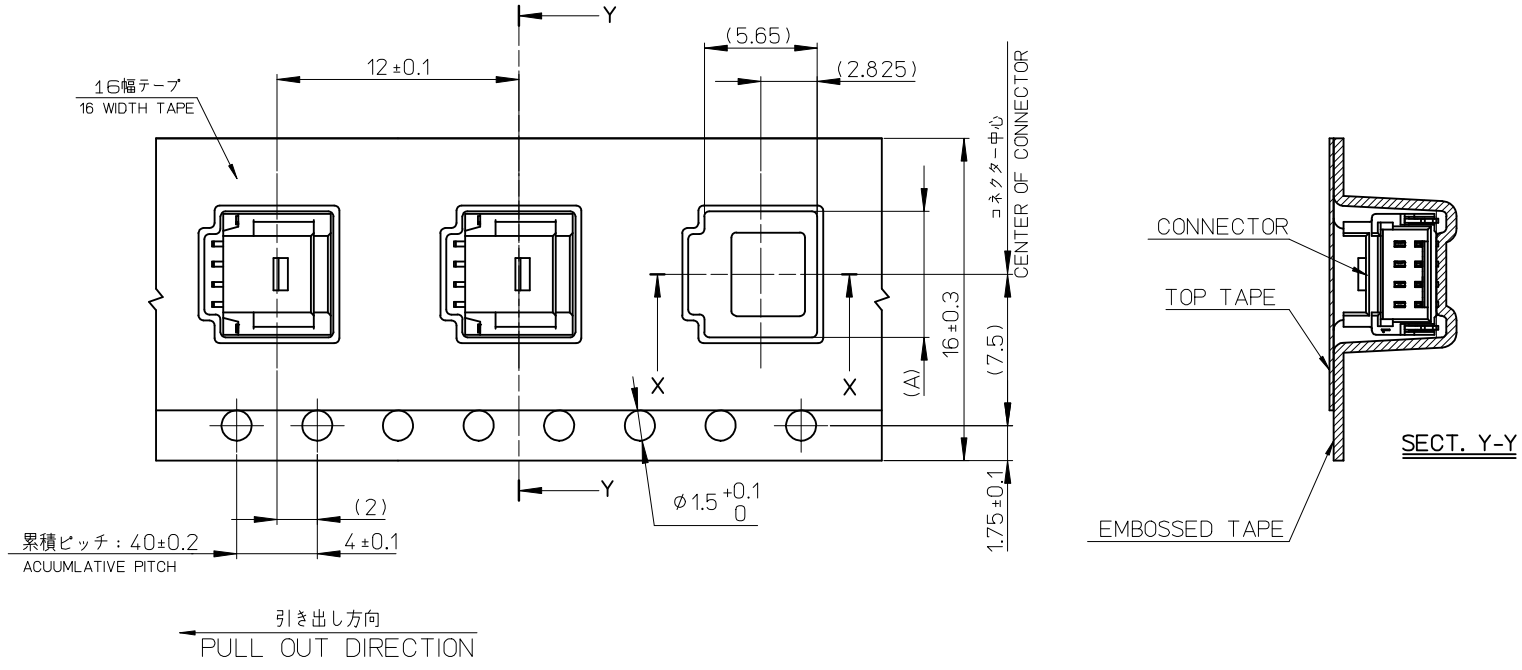
NOTES

- 製品詳細寸法は製品単体図面を参照して下さい。
FOR DETAIL OF CONNECTOR DIMENSIONS, PLEASE SEE THE DRAWING OF CONNECTOR ITSELF (NOT PACKAGED).
- 梱包数量: 1300個/リール
NUMBER OF CONNECTORS: 1300PIECES/REEL
- リードテープ長さ
LEAD TAPE LENGTH



- 材料
MATERIAL
キャリアテープ: ポリスチレン
CARRIER TAPE: POLYSTYRENE
トップテープ: PET、その他
TOP TAPE: PET, OTHER
リール: ポリスチレン<リサイクル材を含む>
REEL: POLYSTYRENE <RECYCLE MATERIAL CONTAINED >
5. ELV AND RoHS COMPLIANT.
- ハイバリア梱包 (シリカゲル入り) 対応品である。(501953-**-07除く)
THIS PRODUCT IS HIGH BARRIER PACKAGE. (WITH SILICAGEL) (BESIDES 501953-**-07)
- 開梱後の保管条件に注意のこと。(ハイバリア品対象: PS-501940-001参照)
REFER TO PS-501940-001 (HIGH BARRIER PRODUCT) FOR CONDITIONS AFTER OPEN.

REVISED EC NO: J2010-0339 DRWN: TAKAGAWA01 2009/09/01 CHKD: MATSUMOTO 2009/09/01 APPR: HIRATA 2009/09/01	GENERAL TOLERANCES (UNLESS SPECIFIED)		DIMENSION STYLE MM ONLY		SCALE ---	DESIGN UNITS METRIC	THIRD ANGLE PROJECTION
	10 UNDER	±0.2	DRAWN BY NYOSHIDA	DATE 2005/09/16	TITLE 1.0 WIRE TO BOARD CONN. WAFER ASS'Y 1-ROW R/A EMBSTP PKG		
	10 OVER 30 UNDER	±0.25	CHECKED BY AMIZUMURA	DATE 2005/09/16	MOLEX INCORPORATED		
	30 OVER	±0.3	APPROVED BY MYAGI	DATE 2005/09/16	MATERIAL NO. SEE SHEET 3	DOCUMENT NO. SD-501953-002	SHEET NO. 1 OF 3
	ANGULAR ±3 °	THIS DRAWING CONTAINS INFORMATION THAT IS PROPRIETARY TO MOLEX INCORPORATED AND SHOULD NOT BE USED WITHOUT WRITTEN PERMISSION					
	DRAFT WHERE APPLICABLE MUST REMAIN WITHIN DIMENSIONS						



7.3	5
6.3	4
5.3	3
(A)	極数 CIRCUITS

CONNECTOR SERIES No. 501953-***9

REVISED EC NO: J2010-0339 DRWN: TAKAGAWA01 2009/09/01 CHKD: MATSUMOTO 2009/09/01 APPR: HIRATA 2009/09/01	GENERAL TOLERANCES (UNLESS SPECIFIED)		DIMENSION STYLE MM ONLY	SCALE ---	DESIGN UNITS METRIC	THIRD ANGLE PROJECTION
	10 UNDER	±0.2	DRAWN BY NYOSHIDA	DATE 2005/09/16	TITLE 1.0 WIRE TO BOARD CONN. WAFER ASS'Y 1-ROW R/A EMBSTP PKG	
	10 OVER 30 UNDER	±0.25	CHECKED BY AMIZUMURA	DATE 2005/09/16	MOLEX INCORPORATED	
	30 OVER	±0.3	APPROVED BY MYAGI	DATE 2005/09/16	DOCUMENT NO. SD-501953-002	SHEET NO. 2 OF 3
	ANGULAR ±3 °		MATERIAL NO. SEE SHEET 3		THIS DRAWING CONTAINS INFORMATION THAT IS PROPRIETARY TO MOLEX INCORPORATED AND SHOULD NOT BE USED WITHOUT WRITTEN PERMISSION	

CONFIDENTIAL

紫 VIOLET	橙 ORANGE	茶 BROWN	緑 GREEN	色 COLOR
501953-0597	501953-0587	501953-0577	501953-0567	5
501953-0497	501953-0487	501953-0477	501953-0467	4
501953-0397	501953-0387	501953-0377	501953-0367	3
EMBOSSSED PACKAGE オーダー番号 ORDER NO.	EMBOSSSED PACKAGE オーダー番号 ORDER NO.	EMBOSSSED PACKAGE オーダー番号 ORDER NO.	EMBOSSSED PACKAGE オーダー番号 ORDER NO.	極数 CIRCUITS

CONNECTOR SERIES No. 501953-***9

青 BLUE	黄 YELLOW	赤 RED	黒 BLACK	自然色 NATURAL	色 COLOR
501953-0547	501953-0537	501953-0527		501953-0507	5
501953-0447	501953-0437	501953-0427	501953-0417	501953-0407	4
501953-0347	501953-0337	501953-0327	501953-0317	501953-0307	3
EMBOSSSED PACKAGE オーダー番号 ORDER NO.	EMBOSSSED PACKAGE オーダー番号 ORDER NO.	EMBOSSSED PACKAGE オーダー番号 ORDER NO.	EMBOSSSED PACKAGE オーダー番号 ORDER NO.	EMBOSSSED PACKAGE オーダー番号 ORDER NO.	極数 CIRCUITS

CONNECTOR SERIES No. 501953-***9

REVISED EC NO: J2010-0339 DRWN: TAKAGAWA01 2009/09/01 CHKD: MATSUMOTO 2009/09/01 APPR: HIRATA 2009/09/01	GENERAL TOLERANCES (UNLESS SPECIFIED)		DIMENSION STYLE MM ONLY		SCALE ---	DESIGN UNITS METRIC	THIRD ANGLE PROJECTION	
	10 UNDER	±---	DRAWN BY NYOSHIDA	DATE 2005/09/16	TITLE 1.0 WIRE TO BOARD CONN. WAFER ASS'Y 1-ROW R/A EMBSTP PKG MOLEX INCORPORATED DOCUMENT NO. SD-501953-002 SHEET NO. 3 OF 3			
	10 OVER 30 UNDER	±---	CHECKED BY AMIZUMURA	DATE 2005/09/16				
	30 OVER	±---	APPROVED BY MYAGI	DATE 2005/09/16				
ANGULAR ±--- °		MATERIAL NO. SEE TABLE						
DRAFT WHERE APPLICABLE MUST REMAIN WITHIN DIMENSIONS		SIZE A3		THIS DRAWING CONTAINS INFORMATION THAT IS PROPRIETARY TO MOLEX INCORPORATED AND SHOULD NOT BE USED WITHOUT WRITTEN PERMISSION				