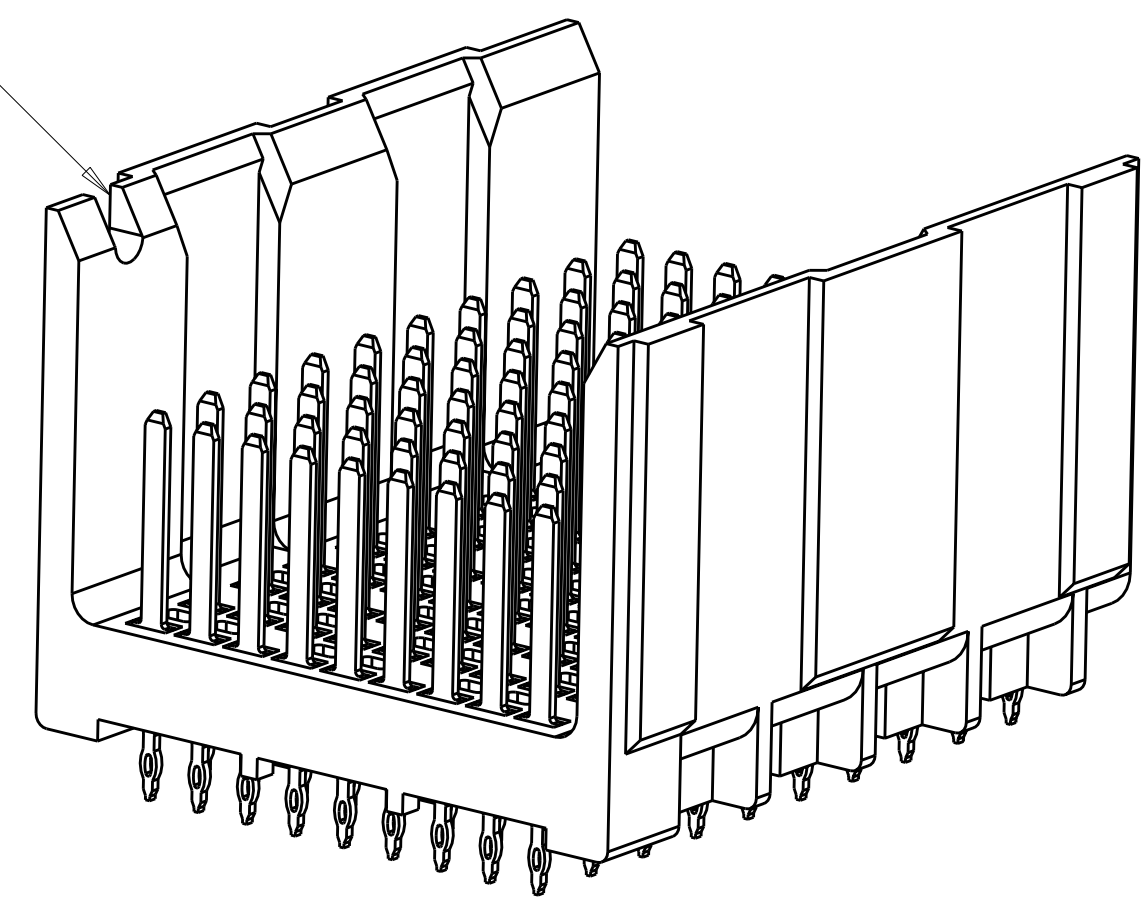


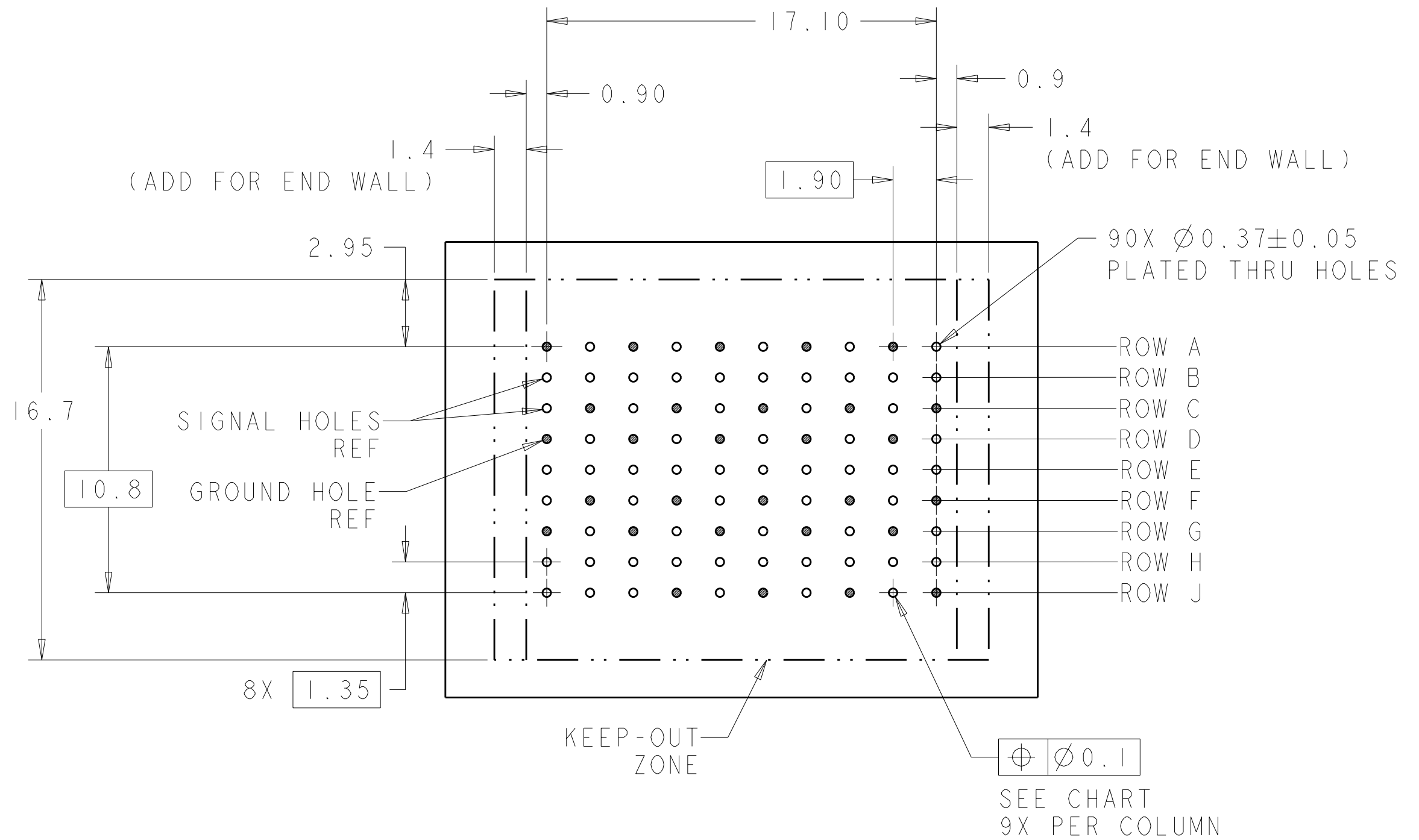
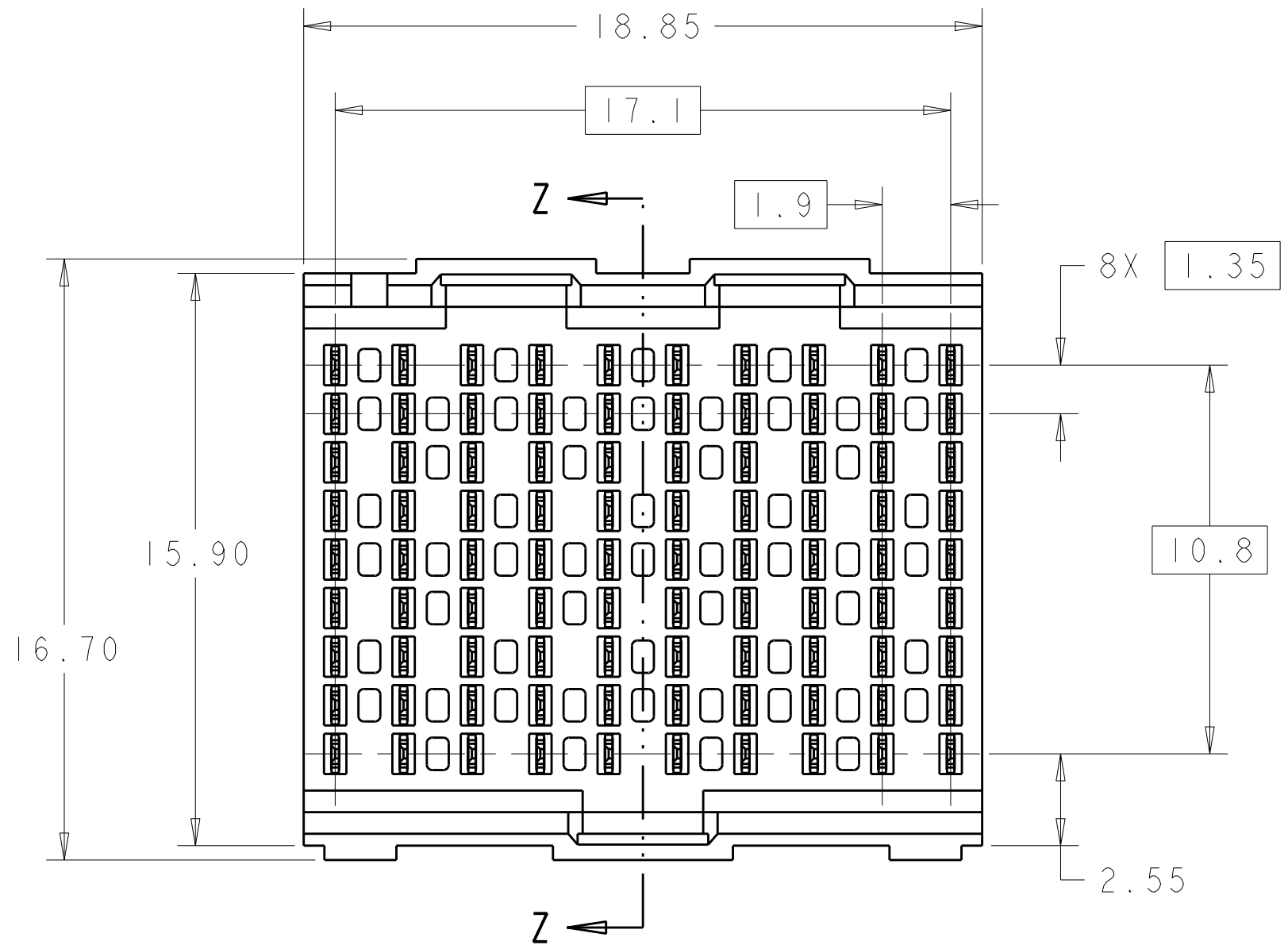
LOC	DIST	REVISIONS			
GP	00	REV	DATE	BY	APPD
		1	PRELIMINARY	11APR08	BM JE

NOTCH DESIGNATES ROW A

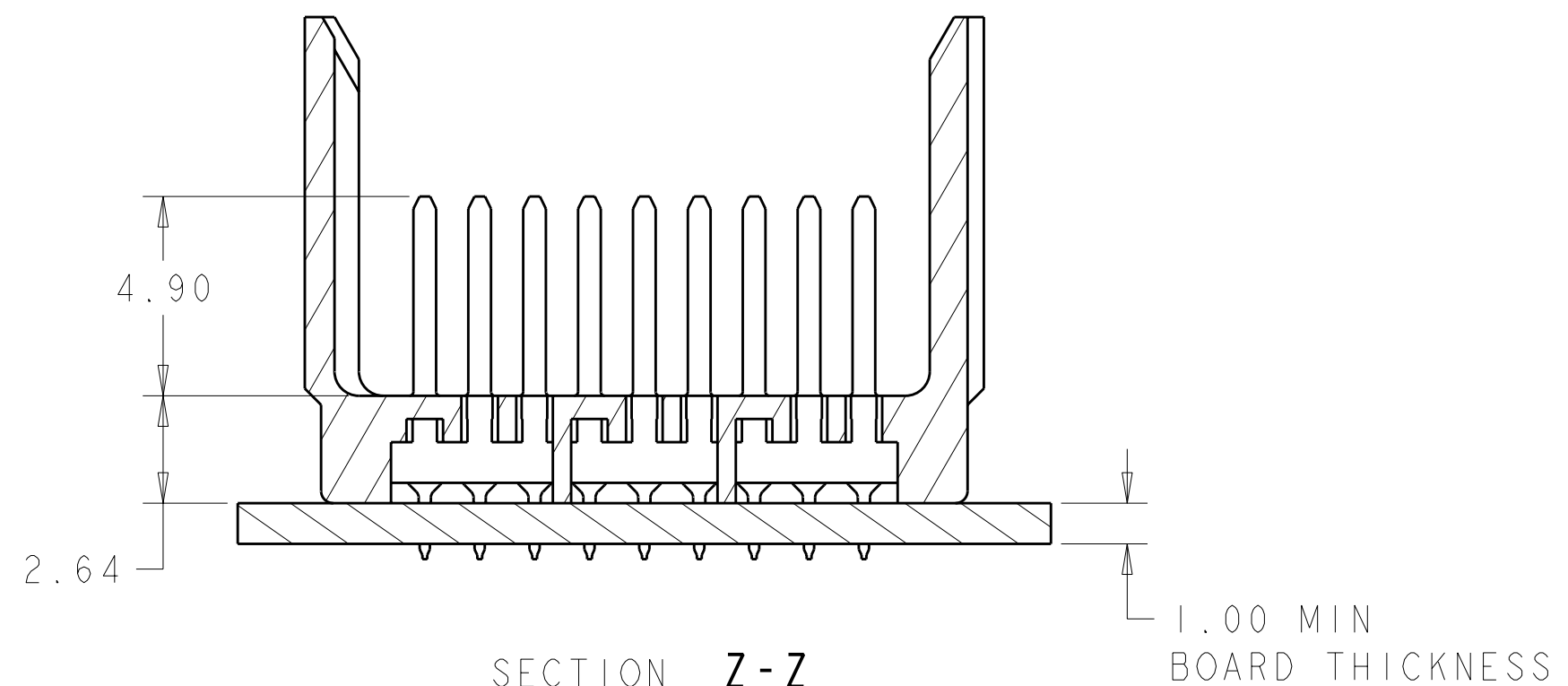
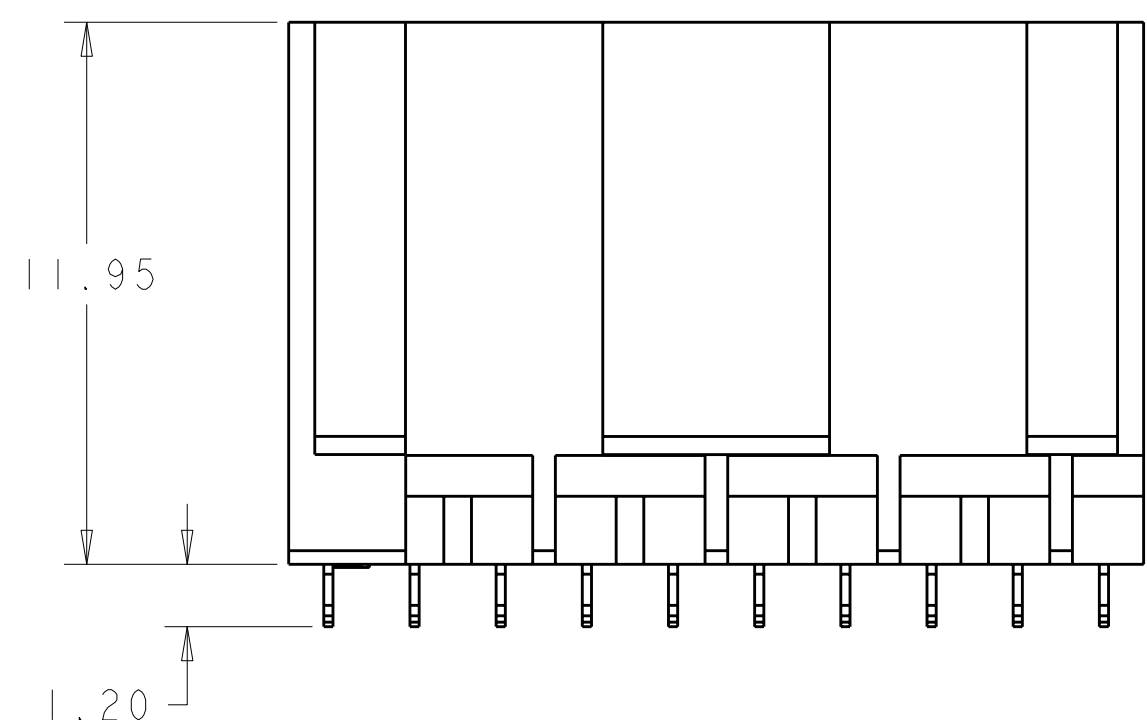


SCALE 6:1

- △ MATERIAL:
HOUSING: LCP GLASS FILLED UL94V-0
TERMINALS: HIGH PERFORMANCE COPPER ALLOY
- △ FINISH:
30 μ" MIN GOLD IN CONTACT AREA
SELECTIVE TIN ON PCB TAILS.
NICKEL OVERALL.



UNGUIDED BACK PLANE HOLE PATTERN
(CONNECTOR SIDE)
SCALE 5:1



SECTION Z-Z

THIS PRINT IS
PRELIMINARY
 UNQUALIFIED PRODUCT
 CONTACT PRODUCT ENGINEERING
 BEFORE USING THIS PRINT

207788-2
 PART
 NUMBER

DIMENSIONS: mm 		TOLERANCES UNLESS OTHERWISE SPECIFIED: 9 PLC ±.25 7 PLC ±.13 5 PLC ±.10 4 PLC ±.08 ANGLES ±.030° FINISH		DWN B. MCMASTER 11APR08 CHK J. EABY 11APR08 APVD J. EABY 11APR08		Tyco Electronics Harrisburg, PA 17105-3608	
MATERIAL 		FINISH 		NAME IMPACT 3 PAIR HEADER UNGUIDED OPEN ASSEMBLY		SIZE CAGE CODE DRAWING NO A100779C=2007788	
CUSTOMER DRAWING				RESTRICTED TO		SCALE 6:1 SHEET 1 OF 1 REV	