

**PLEASE CHECK WWW.MOLEX.COM FOR LATEST PART INFORMATION**

**Part Number:** [0741621472](#)  
**Status:** **Active**  
**Overview:** [cgrid\\_sl\\_products](#)  
**Description:** 2.54mm (.100") Pitch C-Grid® Receptacle, Right Angle, Through Hole, Dual Row, Shrouded, Version B, High-Temperature, 72 Circuits, 0.8µm (30µ") Gold (Au)

**Documents:**

[3D Model](#) [Product Specification PS-74162-001 \(PDF\)](#)  
[Drawing \(PDF\)](#) [RoHS Certificate of Compliance \(PDF\)](#)

**General**

Product Family PCB Receptacles  
 Series [74162](#)  
 Application Board-to-Board  
 Overview [cgrid\\_sl\\_products](#)  
 Product Name C-Grid®

**Physical**

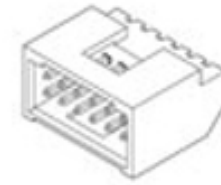
Circuits (Loaded) 72  
 Circuits (maximum) 72  
 Color - Resin Black  
 Durability (mating cycles max) 50  
 Glow-Wire Compliant No  
 Guide to Mating Part No  
 Keying to Mating Part None  
 Lock to Mating Part Yes  
 Material - Metal Phosphor Bronze  
 Material - Plating Mating Gold  
 Material - Plating Termination Tin  
 Material - Resin High Performance Thermoplastic  
 Number of Rows 2  
 Orientation Right Angle  
 PCB Locator No  
 PCB Retention None  
 Packaging Type Tube  
 Pitch - Mating Interface (in) 0.100 In  
 Pitch - Mating Interface (mm) 2.54 mm  
 Pitch - Term. Interface (in) 0.100 In  
 Pitch - Term. Interface (mm) 2.54 mm  
 Plating min: Mating (µin) 0.8  
 Plating min: Mating (µm) 30  
 Polarized to Mating Part No  
 Polarized to PCB No  
 Robotic Placement None  
 Stackable No  
 Surface Mount Compatible (SMC) No  
 Temperature Range - Operating -40°C to +105°C  
 Termination Interface: Style Through Hole

**Electrical**

Current - Maximum per Contact 2.5A  
 Grounding to PCB No  
 Voltage - Maximum 250V

**Solder Process Data**

Duration at Max. Process Temperature (seconds) 5



*image - Reference only*

*Series*

**EU RoHS**

**ELV and RoHS  
Compliant**

**REACH SVHC**

**Contains SVHC: No**

**Halogen-Free**

**Status**

**Not Reviewed**

**China RoHS**



**Need more information on product  
environmental compliance?**

Email [productcompliance@molex.com](mailto:productcompliance@molex.com)  
 For a multiple part number RoHS Certificate of Compliance, [click here](#)

Please visit the [Contact Us](#) section for any non-product compliance questions.

**Search Parts in this Series**

[74162Series](#)

|   |                        |
|---|------------------------|
| Lead-free Process Capability            | Wave Capable (TH only) |
| Max. Cycles at Max. Process Temperature | 1                      |
| Process Temperature max. C              | 260                    |

### **Material Info**

### **Reference - Drawing Numbers**

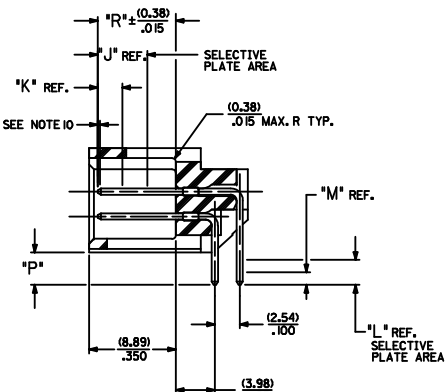
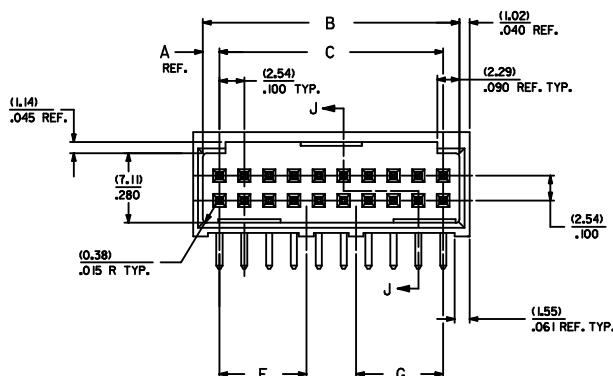
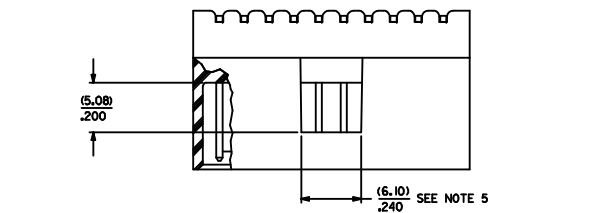
|                         |               |
|-------------------------|---------------|
| Packaging Specification | PK-70873-0019 |
| Product Specification   | PS-74162-001  |
| Sales Drawing           | SD-74162-001  |

This document was generated on 05/21/2010

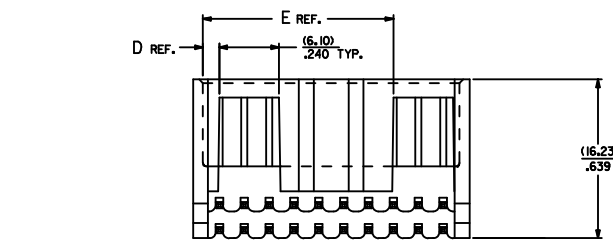
**PLEASE CHECK [WWW.MOLEX.COM](http://WWW.MOLEX.COM) FOR LATEST PART INFORMATION**



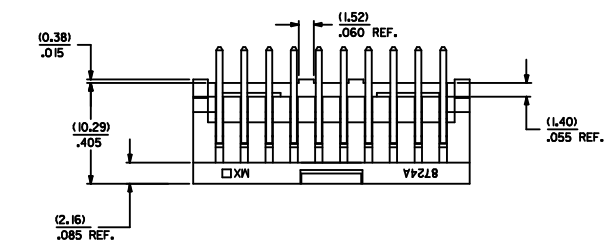
RECOMMENDED P.C. BOARD HOLE LAYOUT



SECTION J-J



- NOTES
- MATERIAL: SHROUDED WAFER: GLASS FILLED, LIQUID CRYSTAL POLYMER, COLOR: BLACK, UL94V-0  
PINS: PHOSPHOR BRONZE
  - FINISH:  
TIN - 3.81 MICROMETERS/150 MICROINCHES MINIMUM TIN PLATE OVER NICKEL UNDERPLATE OVERALL  
15 GOLD - 0.38 MICROMETERS/15 MICROINCHES MINIMUM GOLD PLATE IN SELECT AREA  
1.91 MICROMETERS/75 MICROINCHES MINIMUM TIN PLATE IN SELECT AREA OVER NICKEL UNDERPLATE OVERALL  
30 GOLD - 0.76 MICROMETERS/30 MICROINCHES MINIMUM GOLD PLATE IN SELECT AREA  
1.91 MICROMETERS/75 MICROINCHES MINIMUM TIN PLATE IN SELECT AREA OVER NICKEL UNDERPLATE OVERALL
  - PRODUCT SPECIFICATION: PS-74162-0001
  - PACKAGING INFORMATION: SEE CHARTS
  - WINDOW NOT AVAILABLE ON 6 CKT.
  - FOR CHARTED DIMENSIONS AND ASSEMBLY NOS NOT SHOWN ON THIS SHEET - SEE SHEET 2.
  - 20 CIRCUIT SIZE SHOWN FOR ILLUSTRATION PURPOSES.
  - PIN PUSHOUT FORCE: 117.79 N/4 LBS.
  - PINS MUST MEET SOLDERABILITY SPEC. MIL-STD-202 METHOD 208B.
  - ROW TO ROW PIN HEIGHT VARIATION MUST NOT EXCEED 0.25/0.10 IN.
  - THIS PART CONFORMS TO CLASS B REQUIREMENTS OF COSMETIC SPECIFICATION PS-45499-002.



| CKT. | DIM. "A"     | DIM. "B"        | DIM. "C"        | DIM. "D"     | DIM. "E"        | DIM. "F"        | DIM. "G"        |
|------|--------------|-----------------|-----------------|--------------|-----------------|-----------------|-----------------|
| 06   | (1.68) ±.066 | (8.43) ±.332    | (5.08) ±.200    | (1.68) ±.066 |                 |                 |                 |
| 08   | (1.68) ±.066 | (10.87) ±.432   | (7.52) ±.300    | (1.68) ±.066 |                 |                 |                 |
| 10   | (1.68) ±.066 | (13.51) ±.532   | (10.16) ±.400   | (1.68) ±.066 |                 |                 |                 |
| 12   | (1.68) ±.066 | (16.05) ±.632   | (12.70) ±.500   | (1.68) ±.066 |                 |                 |                 |
| 14   | (1.68) ±.066 | (18.59) ±.732   | (15.24) ±.600   | (1.68) ±.066 |                 |                 |                 |
| 16   | (1.68) ±.066 | (21.13) ±.832   | (17.78) ±.700   | (1.68) ±.066 |                 |                 |                 |
| 18   | (1.68) ±.066 | (23.67) ±.932   | (20.32) ±.800   | (1.68) ±.066 |                 |                 |                 |
| 20   | (1.68) ±.066 | (26.21) ±.1.032 | (22.86) ±.900   | (1.68) ±.066 | (19.46) ±.766   |                 |                 |
| 22   | (1.68) ±.066 | (28.75) ±.1.132 | (25.40) ±.1.000 | (1.68) ±.066 | (22.00) ±.866   |                 |                 |
| 24   | (1.68) ±.066 | (31.29) ±.1.232 | (27.94) ±.1.100 | (1.68) ±.066 | (24.54) ±.966   | (16.64) ±.655   |                 |
| 26   | (1.68) ±.066 | (33.83) ±.1.332 | (30.48) ±.1.200 | (1.68) ±.066 | (27.08) ±.1.066 | (16.64) ±.655   |                 |
| 28   | (1.68) ±.066 | (36.37) ±.1.432 | (33.02) ±.1.300 | (1.68) ±.066 | (29.62) ±.1.166 | (16.64) ±.655   |                 |
| 30   | (1.68) ±.066 | (38.91) ±.1.532 | (35.56) ±.1.400 | (1.68) ±.066 | (32.16) ±.1.266 | (16.64) ±.655   |                 |
| 32   | (1.68) ±.066 | (41.45) ±.1.632 | (38.10) ±.1.500 | (1.68) ±.066 | (34.70) ±.1.366 | (16.64) ±.655   |                 |
| 34   | (1.68) ±.066 | (43.99) ±.1.732 | (40.64) ±.1.600 | (1.68) ±.066 | (37.24) ±.1.466 | (16.64) ±.655   |                 |
| 36   | (1.68) ±.066 | (46.53) ±.1.832 | (43.18) ±.1.700 | (1.68) ±.066 | (39.78) ±.1.566 | (16.64) ±.655   | (16.76) ±.660   |
| 38   | (1.68) ±.066 | (49.07) ±.1.932 | (45.72) ±.1.800 | (1.68) ±.066 | (42.32) ±.1.666 | (16.64) ±.655   | (16.76) ±.660   |
| 40   | (1.68) ±.066 | (51.61) ±.2.032 | (48.26) ±.1.900 | (1.68) ±.066 | (44.86) ±.1.766 | (16.64) ±.655   | (16.76) ±.660   |
| 42   | (1.68) ±.066 | (54.15) ±.2.132 | (50.80) ±.2.000 | (1.68) ±.066 | (47.40) ±.1.866 | (16.64) ±.655   | (16.76) ±.660   |
| 44   | (1.68) ±.066 | (56.69) ±.2.232 | (53.34) ±.2.100 | (1.68) ±.066 | (49.94) ±.1.966 | (19.05) ±.750   | (16.76) ±.660   |
| 46   | (1.68) ±.066 | (59.23) ±.2.332 | (55.88) ±.2.200 | (1.68) ±.066 | (52.48) ±.2.066 | (19.05) ±.750   | (16.76) ±.660   |
| 48   | (1.68) ±.066 | (61.77) ±.2.432 | (58.42) ±.2.300 | (1.68) ±.066 | (55.02) ±.2.166 | (19.05) ±.750   | (16.76) ±.660   |
| 50   | (1.68) ±.066 | (64.31) ±.2.532 | (60.96) ±.2.400 | (1.68) ±.066 | (57.56) ±.2.266 | (19.05) ±.750   | (16.76) ±.660   |
| 52   | (1.68) ±.066 | (66.85) ±.2.632 | (63.50) ±.2.500 | (1.68) ±.066 | (60.10) ±.2.366 | (19.05) ±.750   | (16.76) ±.660   |
| 54   | (1.68) ±.066 | (69.39) ±.2.732 | (66.04) ±.2.600 | (1.68) ±.066 | (62.64) ±.2.466 | (21.59) ±.850   | (21.84) ±.860   |
| 56   | (1.68) ±.066 | (71.93) ±.2.832 | (68.58) ±.2.700 | (1.68) ±.066 | (65.18) ±.2.566 | (21.59) ±.850   | (21.84) ±.860   |
| 58   | (1.68) ±.066 | (74.47) ±.2.932 | (71.12) ±.2.800 | (1.68) ±.066 | (67.72) ±.2.666 | (27.81) ±.1.095 | (26.92) ±.1.060 |
| 60   | (1.68) ±.066 | (77.01) ±.3.032 | (73.66) ±.2.900 | (1.68) ±.066 | (70.26) ±.2.766 | (27.81) ±.1.095 | (26.92) ±.1.060 |
| 62   | (1.68) ±.066 | (79.55) ±.3.132 | (76.20) ±.3.000 | (1.68) ±.066 | (72.80) ±.2.866 | (27.81) ±.1.095 | (26.92) ±.1.060 |
| 64   | (1.68) ±.066 | (82.09) ±.3.232 | (78.74) ±.3.100 | (1.68) ±.066 | (75.34) ±.2.966 | (27.81) ±.1.095 | (26.92) ±.1.060 |
| 66   | (1.68) ±.066 | (84.63) ±.3.332 | (81.28) ±.3.200 | (1.68) ±.066 | (77.88) ±.3.066 | (27.81) ±.1.095 | (26.92) ±.1.060 |
| 68   | (1.68) ±.066 | (87.17) ±.3.432 | (83.82) ±.3.300 | (1.68) ±.066 | (80.42) ±.3.166 | (27.81) ±.1.095 | (26.92) ±.1.060 |
| 70   | (1.68) ±.066 | (89.71) ±.3.532 | (86.36) ±.3.400 | (1.68) ±.066 | (82.96) ±.3.266 | (27.81) ±.1.095 | (26.92) ±.1.060 |
| 72   | (1.68) ±.066 | (92.25) ±.3.632 | (88.90) ±.3.500 | (1.68) ±.066 | (85.50) ±.3.366 | (27.81) ±.1.095 | (26.92) ±.1.060 |

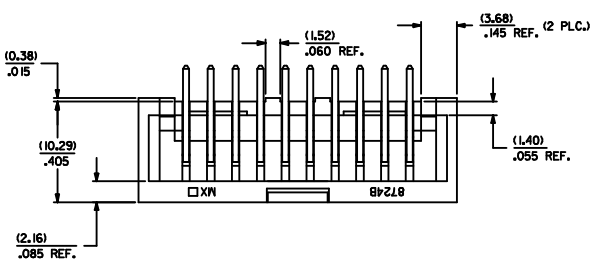
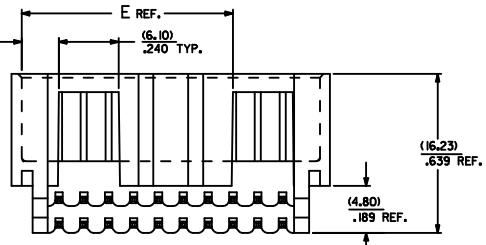
ASSEMBLY STYLES "A", "B", AND "G"

|  |   |  |
|--|---|--|
| <b>QUALITY SYMBOLS</b><br>□=0<br>▽=0<br>▲=0<br>△=0 | <b>GENERAL TOLERANCES (UNLESS SPECIFIED)</b><br>DIMENSION STYLE: MM/IN<br>SCALE: INCH<br>DESIGN UNITS: INCH<br>THIRD ANGLE PROJECTION |  |
|  | DRAWN BY: SMILLER<br>CHECKED BY: BBARKER<br>APPROVED BY: SMILLER<br>DATE: 2009/03/27<br>DATE: 2009/03/27<br>DATE: 2009/03/27          | TITLE: SALES ASSEMBLY WAFER-RIGHT ANGLE FULLY SHROUDED .100 GRID<br>MOLEX INCORPORATED |
|  | MATERIAL NO.: SEE TABLE<br>DOCUMENT NO.: SD-74162-001   | SHEET NO.: 1 OF 8  |
|  | THIS DRAWING CONTAINS INFORMATION THAT IS PROPRIETARY TO MOLEX INCORPORATED AND SHOULD NOT BE USED WITHOUT WRITTEN PERMISSION         |  |

| ITEM NUMBER<br>74162 | P<br>REF     | PLATING<br>FINISH | CONNECTOR END PLATING |             |              | PC BOARD END PLATING |              |              | INFORMATION<br>PK-70873 |            |
|----------------------|--------------|-------------------|-----------------------|-------------|--------------|----------------------|--------------|--------------|-------------------------|------------|
|                      |              |                   | TYPE                  | J<br>LENGTH | K<br>MEAS.   | R<br>± 0.38<br>.015  | TYPE         | L<br>LENGTH  |                         | M<br>MEAS. |
| -0006-0072           | 3.30<br>.130 | TIN               | TIN                   | —           | 2.54<br>.100 | 8.00<br>.315         | —            | 1.27<br>.050 | 0019                    |            |
| -0106-0172           | 5.08<br>.200 | TIN               | TIN                   | —           | 2.54<br>.100 | 8.00<br>.315         | —            | 1.27<br>.050 | 0019                    |            |
| -0206-0272           | 3.30<br>.130 | 15 GOLD           | GOLD                  | —           | 5.08<br>.200 | 2.54<br>.100         | 8.00<br>.315 | 2.54<br>.100 | 1.27<br>.050            | 0019       |
| -0306-0372           | 5.08<br>.200 | 15 GOLD           | GOLD                  | —           | 5.08<br>.200 | 2.54<br>.100         | 8.00<br>.315 | 2.54<br>.100 | 1.27<br>.050            | 0019       |
| -0406-0472           | 3.30<br>.130 | 30 GOLD           | GOLD                  | —           | 5.08<br>.200 | 2.54<br>.100         | 8.00<br>.315 | 2.54<br>.100 | 1.27<br>.050            | 0019       |
| -0506-0572           | 5.08<br>.200 | 30 GOLD           | GOLD                  | —           | 5.08<br>.200 | 2.54<br>.100         | 8.00<br>.315 | 2.54<br>.100 | 1.27<br>.050            | 0019       |
| -0606-0672           | 3.30<br>.130 | TIN               | TIN                   | —           | 2.54<br>.100 | 6.35<br>.250         | —            | 1.27<br>.050 | 0019                    |            |

| NO. OF CKTS | ITEM NUMBER | ITEM NUMBER | ITEM NUMBER | ITEM NUMBER | ITEM NUMBER | ITEM NUMBER | ITEM NUMBER |
|-------------|-------------|-------------|-------------|-------------|-------------|-------------|-------------|
| 6           | 74162-0006  | 74162-0106  | 74162-0206  | 74162-0306  | 74162-0406  | 74162-0506  | 74162-0606  |
| 8           | 74162-0008  | 74162-0108  | 74162-0208  | 74162-0308  | 74162-0408  | 74162-0508  | 74162-0608  |
| 10          | 74162-0010  | 74162-0110  | 74162-0210  | 74162-0310  | 74162-0410  | 74162-0510  | 74162-0610  |
| 12          | 74162-0012  | 74162-0112  | 74162-0212  | 74162-0312  | 74162-0412  | 74162-0512  | 74162-0612  |
| 14          | 74162-0014  | 74162-0114  | 74162-0214  | 74162-0314  | 74162-0414  | 74162-0514  | 74162-0614  |
| 16          | 74162-0016  | 74162-0116  | 74162-0216  | 74162-0316  | 74162-0416  | 74162-0516  | 74162-0616  |
| 18          | 74162-0018  | 74162-0118  | 74162-0218  | 74162-0318  | 74162-0418  | 74162-0518  | 74162-0618  |
| 20          | 74162-0020  | 74162-0120  | 74162-0220  | 74162-0320  | 74162-0420  | 74162-0520  | 74162-0620  |
| 22          | 74162-0022  | 74162-0122  | 74162-0222  | 74162-0322  | 74162-0422  | 74162-0522  | 74162-0622  |
| 24          | 74162-0024  | 74162-0124  | 74162-0224  | 74162-0324  | 74162-0424  | 74162-0524  | 74162-0624  |
| 26          | 74162-0026  | 74162-0126  | 74162-0226  | 74162-0326  | 74162-0426  | 74162-0526  | 74162-0626  |
| 28          | 74162-0028  | 74162-0128  | 74162-0228  | 74162-0328  | 74162-0428  | 74162-0528  | 74162-0628  |
| 30          | 74162-0030  | 74162-0130  | 74162-0230  | 74162-0330  | 74162-0430  | 74162-0530  | 74162-0630  |
| 32          | 74162-0032  | 74162-0132  | 74162-0232  | 74162-0332  | 74162-0432  | 74162-0532  | 74162-0632  |
| 34          | 74162-0034  | 74162-0134  | 74162-0234  | 74162-0334  | 74162-0434  | 74162-0534  | 74162-0634  |
| 36          | 74162-0036  | 74162-0136  | 74162-0236  | 74162-0336  | 74162-0436  | 74162-0536  | 74162-0636  |
| 38          | 74162-0038  | 74162-0138  | 74162-0238  | 74162-0338  | 74162-0438  | 74162-0538  | 74162-0638  |
| 40          | 74162-0040  | 74162-0140  | 74162-0240  | 74162-0340  | 74162-0440  | 74162-0540  | 74162-0640  |
| 42          | 74162-0042  | 74162-0142  | 74162-0242  | 74162-0342  | 74162-0442  | 74162-0542  | 74162-0642  |
| 44          | 74162-0044  | 74162-0144  | 74162-0244  | 74162-0344  | 74162-0444  | 74162-0544  | 74162-0644  |
| 46          | 74162-0046  | 74162-0146  | 74162-0246  | 74162-0346  | 74162-0446  | 74162-0546  | 74162-0646  |
| 48          | 74162-0048  | 74162-0148  | 74162-0248  | 74162-0348  | 74162-0448  | 74162-0548  | 74162-0648  |
| 50          | 74162-0050  | 74162-0150  | 74162-0250  | 74162-0350  | 74162-0450  | 74162-0550  | 74162-0650  |
| 52          | 74162-0052  | 74162-0152  | 74162-0252  | 74162-0352  | 74162-0452  | 74162-0552  | 74162-0652  |
| 54          | 74162-0054  | 74162-0154  | 74162-0254  | 74162-0354  | 74162-0454  | 74162-0554  | 74162-0654  |
| 56          | 74162-0056  | 74162-0156  | 74162-0256  | 74162-0356  | 74162-0456  | 74162-0556  | 74162-0656  |
| 58          | 74162-0058  | 74162-0158  | 74162-0258  | 74162-0358  | 74162-0458  | 74162-0558  | 74162-0658  |
| 60          | 74162-0060  | 74162-0160  | 74162-0260  | 74162-0360  | 74162-0460  | 74162-0560  | 74162-0660  |
| 62          | 74162-0062  | 74162-0162  | 74162-0262  | 74162-0362  | 74162-0462  | 74162-0562  | 74162-0662  |
| 64          | 74162-0064  | 74162-0164  | 74162-0264  | 74162-0364  | 74162-0464  | 74162-0564  | 74162-0664  |
| 66          | 74162-0066  | 74162-0166  | 74162-0266  | 74162-0366  | 74162-0466  | 74162-0566  | 74162-0666  |
| 68          | 74162-0068  | 74162-0168  | 74162-0268  | 74162-0368  | 74162-0468  | 74162-0568  | 74162-0668  |
| 70          | 74162-0070  | 74162-0170  | 74162-0270  | 74162-0370  | 74162-0470  | 74162-0570  | 74162-0670  |
| 72          | 74162-0072  | 74162-0172  | 74162-0272  | 74162-0372  | 74162-0472  | 74162-0572  | 74162-0672  |

|   |                               |   |  |  |  |                                       |              |                        |
|---|-------------------------------|---|--|--|--|---------------------------------------|--------------|------------------------|
| <b>INITIAL RELEASE</b><br>EC NO. UCF2009-1776<br>DRAWN BY: 2009/03/27<br>CHYKOBARKER<br>APPR: SMILLER<br>2009/04/21 | QUALITY SYMBOLS<br>▽=0<br>▽=0 | GENERAL TOLERANCES (UNLESS SPECIFIED)   |  | DIMENSION STYLE<br>MM/IN               |  | SCALE                                 | DESIGN UNITS | THIRD ANGLE PROJECTION |
|   |                               | 4 PLACES ± --- ± ---<br>3 PLACES ± --- ± .010<br>2 PLACES ± 0.25 ± .014<br>1 PLACE ± 0.36 ± --- |  | DRAWN BY DATE<br>SMILLER 2009/03/27    |  | CHECKED BY DATE<br>BBARKER 2009/03/27 |              |                        |
|   |                               | ANGULAR ±1/2°   |  | APPROVED BY DATE<br>SMILLER 2009/03/27 |  | MATERIAL NO. DOCUMENT NO.             |              |                        |
|   |                               | DRAFT WHERE APPLICABLE MUST REMAIN WITHIN DIMENSIONS  |  | SEE TABLE                              |  | MOLEX INCORPORATED<br>SD-74162-001    |              |                        |



- NOTES
- MATERIAL: SHROUDED WAFER: GLASS FILLED, LIQUID CRYSTAL POLYMER, COLOR: BLACK, UL94V-0  
PINS: PHOSPHOR BRONZE
  - FINISH:  
TIN - 3.81 MICROMETERS/150 MICRONS MINIMUM TIN PLATE OVER NICKEL UNDERPLATE OVERALL  
15 GOLD - 0.38 MICROMETERS/15 MICRONS MINIMUM GOLD PLATE IN SELECT AREA  
1.91 MICROMETERS/75 MICRONS MINIMUM TIN PLATE IN SELECT AREA OVER NICKEL UNDERPLATE OVERALL  
30 GOLD - 0.76 MICROMETERS/30 MICRONS MINIMUM GOLD PLATE IN SELECT AREA  
1.91 MICROMETERS/75 MICRONS MINIMUM TIN PLATE IN SELECT AREA OVER NICKEL UNDERPLATE OVERALL
  - PRODUCT SPECIFICATION: PS-74162-0001
  - PACKAGING INFORMATION: SEE CHARTS
  - FOR CHARTED DIMENSIONS AND ASSEMBLY N.O.S NOT SHOWN ON THIS SHEET - SEE SHEET 4.
  - WINDOW NOT AVAILABLE ON 6 CKT.
  - 20 CIRCUIT SIZE SHOWN FOR ILLUSTRATION PURPOSES.
  - PIN PUSHOUT FORCE: (17.79) N/4 LBS.
  - PINS MUST MEET SOLDERABILITY SPEC. MIL-STD-202 METHOD 208B.
  - ROW TO ROW PIN HEIGHT VARIATION MUST NOT EXCEED (0.25) / 0.10 IN.
  - THIS PART CONFORMS TO CLASS B REQUIREMENTS OF COSMETIC SPECIFICATION PS-45499-002.

| CKT. | DIM. 'A'    | DIM. 'B'      | DIM. 'C'      | DIM. 'D'      | DIM. 'E'     | DIM. 'F' | DIM. 'G' | DIM. 'H'      |
|------|-------------|---------------|---------------|---------------|--------------|----------|----------|---------------|
| 06   | (3.81) .150 | (12.70) .500  | (5.08) .200   | (3.81) .150   |              |          |          | (10.46) .412  |
| 08   | (3.81) .150 | (15.24) .600  | (7.62) .300   | (3.81) .150   |              |          |          | (13.00) .512  |
| 10   | (3.81) .150 | (17.78) .700  | (10.16) .400  | (6.35) .250   |              |          |          | (15.54) .612  |
| 12   | (3.81) .150 | (20.32) .800  | (12.70) .500  | (6.35) .250   |              |          |          | (18.08) .712  |
| 14   | (3.81) .150 | (22.86) .900  | (15.24) .600  | (8.89) .350   |              |          |          | (20.62) .812  |
| 16   | (3.81) .150 | (25.40) 1.000 | (17.78) .700  | (8.89) .350   |              |          |          | (23.16) .912  |
| 18   | (3.81) .150 | (27.94) 1.100 | (20.32) .800  | (11.43) .450  |              |          |          | (25.70) 1.012 |
| 20   | (3.81) .150 | (30.48) 1.200 | (22.86) .900  | (13.97) .550  |              |          |          | (28.24) 1.112 |
| 22   | (3.81) .150 | (33.02) 1.300 | (25.40) 1.000 | (16.51) .650  |              |          |          | (30.78) 1.212 |
| 24   | (3.81) .150 | (35.56) 1.400 | (27.94) 1.100 | (19.05) .750  | (16.64) .655 |          |          | (33.32) 1.312 |
| 26   | (3.81) .150 | (38.10) 1.500 | (30.48) 1.200 | (21.59) .850  | (16.64) .655 |          |          | (35.86) 1.412 |
| 28   | (3.81) .150 | (40.64) 1.600 | (33.02) 1.300 | (24.13) .950  | (16.64) .655 |          |          | (38.40) 1.512 |
| 30   | (3.81) .150 | (43.18) 1.700 | (35.56) 1.400 | (26.67) 1.050 | (16.64) .655 |          |          | (40.94) 1.612 |
| 32   | (3.81) .150 | (45.72) 1.800 | (38.10) 1.500 | (29.21) 1.150 | (16.64) .655 |          |          | (43.48) 1.712 |
| 34   | (3.81) .150 | (48.26) 1.900 | (40.64) 1.600 | (31.75) 1.250 | (16.64) .655 |          |          | (46.02) 1.812 |
| 36   | (3.81) .150 | (50.80) 2.000 | (43.18) 1.700 | (34.29) 1.350 | (16.64) .655 |          |          | (48.56) 1.912 |
| 38   | (3.81) .150 | (53.34) 2.100 | (45.72) 1.800 | (36.83) 1.450 | (16.64) .655 |          |          | (51.10) 2.012 |
| 40   | (3.81) .150 | (55.88) 2.200 | (48.26) 1.900 | (39.37) 1.550 | (16.64) .655 |          |          | (53.64) 2.112 |
| 42   | (3.81) .150 | (58.42) 2.300 | (50.80) 2.000 | (41.91) 1.650 | (16.64) .655 |          |          | (56.18) 2.212 |
| 44   | (3.81) .150 | (60.96) 2.400 | (53.34) 2.100 | (44.45) 1.750 | (16.64) .655 |          |          | (58.72) 2.312 |
| 46   | (3.81) .150 | (63.50) 2.500 | (55.88) 2.200 | (46.99) 1.850 | (16.64) .655 |          |          | (61.26) 2.412 |
| 48   | (3.81) .150 | (66.04) 2.600 | (58.42) 2.300 | (49.53) 1.950 | (16.64) .655 |          |          | (63.80) 2.512 |
| 50   | (3.81) .150 | (68.58) 2.700 | (60.96) 2.400 | (52.07) 2.050 | (16.64) .655 |          |          | (66.34) 2.612 |
| 52   | (3.81) .150 | (71.12) 2.800 | (63.50) 2.500 | (54.61) 2.150 | (16.64) .655 |          |          | (68.88) 2.712 |
| 54   | (3.81) .150 | (73.66) 2.900 | (66.04) 2.600 | (57.15) 2.250 | (16.64) .655 |          |          | (71.42) 2.812 |
| 56   | (3.81) .150 | (76.20) 3.000 | (68.58) 2.700 | (59.69) 2.350 | (16.64) .655 |          |          | (73.96) 2.912 |
| 58   | (3.81) .150 | (78.74) 3.100 | (71.12) 2.800 | (62.23) 2.450 | (16.64) .655 |          |          | (76.50) 3.012 |
| 60   | (3.81) .150 | (81.28) 3.200 | (73.66) 2.900 | (64.77) 2.550 | (16.64) .655 |          |          | (79.04) 3.112 |
| 62   | (3.81) .150 | (83.82) 3.300 | (76.20) 3.000 | (67.31) 2.650 | (16.64) .655 |          |          | (81.58) 3.212 |
| 64   | (3.81) .150 | (86.36) 3.400 | (78.74) 3.100 | (69.85) 2.750 | (16.64) .655 |          |          | (84.12) 3.312 |
| 66   | (3.81) .150 | (88.90) 3.500 | (81.28) 3.200 | (72.39) 2.850 | (16.64) .655 |          |          | (86.66) 3.412 |
| 68   | (3.81) .150 | (91.44) 3.600 | (83.82) 3.300 | (74.93) 2.950 | (16.64) .655 |          |          | (89.20) 3.512 |
| 70   | (3.81) .150 | (93.98) 3.700 | (86.36) 3.400 | (77.47) 3.050 | (16.64) .655 |          |          | (91.74) 3.612 |
| 72   | (3.81) .150 | (96.52) 3.800 | (88.90) 3.500 | (80.01) 3.150 | (16.64) .655 |          |          | (94.28) 3.712 |

ASSEMBLY STYLES "C" & "D"

| QUALITY SYMBOLS   | GENERAL TOLERANCES (UNLESS SPECIFIED)   | DIMENSION STYLE   |            | SCALE        | DESIGN UNITS  | THIRD ANGLE PROJECTION |
|---|---|---|------------|--------------|---|------------------------|
|   |   | MM  | INCH       | MM/IN        | INCH  | INCH                   |
| INITIAL RELEASE<br>EC NO. UCF2009-1776<br>DRAWN BY BARRO<br>CHYD/BARKER<br>APPR:SMILLER<br>2009/03/27<br>2009/04/20<br>2009/04/21 | 4 PLACES ± --- ± ---<br>3 PLACES ± --- ± .010<br>2 PLACES ± 0.25 ± .014<br>1 PLACE ± 0.36 ± ---<br>ANGULAR ± 1/2° | DRAWN BY  | DATE       | TITLE        | SALES ASSEMBLY<br>WAFER-RIGHT ANGLE FULLY<br>SHROUDED .100 GRID<br>MOLEX INCORPORATED |                        |
|   |   | SMILLER   | 2009/03/27 |              |   |                        |
|   |   | CHECKED BY  | DATE       |              |   |                        |
|   |   | BBARKER   | 2009/03/27 |              |   |                        |
|   |   | APPROVED BY   | DATE       |              |   |                        |
|   |   | SMILLER   | 2009/03/27 |              |   |                        |
| DRAFT WHERE APPLICABLE MUST REMAIN WITHIN DIMENSIONS  |   | MATERIAL NO.  |            | DOCUMENT NO. | SHEET NO.   |                        |
|   |   | SEE TABLE   |            | SD-74162-001 | 3 OF 8  |                        |
|   |   | THIS DRAWING CONTAINS INFORMATION THAT IS PROPRIETARY TO MOLEX INCORPORATED AND SHOULD NOT BE USED WITHOUT WRITTEN PERMISSION |            |              |   |                        |

| ITEM NUMBER<br>74162 | P<br>REF     | PLATING<br>FINISH | CONNECTOR END PLATING |              |              | PC BOARD END PLATING |             |              | INFORMATION<br>PK-70873 |      |
|----------------------|--------------|-------------------|-----------------------|--------------|--------------|----------------------|-------------|--------------|-------------------------|------|
|                      |              |                   | TYPE                  | J<br>LENGTH  | K<br>MEAS.   | TYPE                 | L<br>LENGTH | M<br>MEAS.   |                         |      |
| -1006-1072           | 3.30<br>.130 | TIN               | TIN                   | ---          | 2.54<br>.100 |                      | TIN         | ---          | 1.27<br>.050            | 0019 |
| -1106-1172           | 5.08<br>.200 | TIN               | TIN                   | ---          | 2.54<br>.100 |                      | TIN         | ---          | 1.27<br>.050            | 0019 |
| -1206-1272           | 3.30<br>.130 | 15 GOLD           | GOLD                  | 5.08<br>.200 | 2.54<br>.100 |                      | TIN         | 2.54<br>.100 | 1.27<br>.050            | 0019 |
| -1306-1372           | 5.08<br>.200 | 15 GOLD           | GOLD                  | 5.08<br>.200 | 2.54<br>.100 |                      | TIN         | 2.54<br>.100 | 1.27<br>.050            | 0019 |
| -1406-1472           | 3.30<br>.130 | 30 GOLD           | GOLD                  | 5.08<br>.200 | 2.54<br>.100 |                      | TIN         | 2.54<br>.100 | 1.27<br>.050            | 0019 |
| -1506-1572           | 5.08<br>.200 | 30 GOLD           | GOLD                  | 5.08<br>.200 | 2.54<br>.100 |                      | TIN         | 2.54<br>.100 | 1.27<br>.050            | 0019 |

| NO. OF CKTS | ITEM NUMBER | ITEM NUMBER | ITEM NUMBER | ITEM NUMBER | ITEM NUMBER | ITEM NUMBER | ITEM NUMBER |
|-------------|-------------|-------------|-------------|-------------|-------------|-------------|-------------|
| 6           | 74162-1006  | 74162-1106  | 74162-1206  | 74162-1306  | 74162-1406  | 74162-1506  |             |
| 8           | 74162-1008  | 74162-1108  | 74162-1208  | 74162-1308  | 74162-1408  | 74162-1508  |             |
| 10          | 74162-1010  | 74162-1110  | 74162-1210  | 74162-1310  | 74162-1410  | 74162-1510  |             |
| 12          | 74162-1012  | 74162-1112  | 74162-1212  | 74162-1312  | 74162-1412  | 74162-1512  |             |
| 14          | 74162-1014  | 74162-1114  | 74162-1214  | 74162-1314  | 74162-1414  | 74162-1514  |             |
| 16          | 74162-1016  | 74162-1116  | 74162-1216  | 74162-1316  | 74162-1416  | 74162-1516  |             |
| 18          | 74162-1018  | 74162-1118  | 74162-1218  | 74162-1318  | 74162-1418  | 74162-1518  |             |
| 20          | 74162-1020  | 74162-1120  | 74162-1220  | 74162-1320  | 74162-1420  | 74162-1520  |             |
| 22          | 74162-1022  | 74162-1122  | 74162-1222  | 74162-1322  | 74162-1422  | 74162-1522  |             |
| 24          | 74162-1024  | 74162-1124  | 74162-1224  | 74162-1324  | 74162-1424  | 74162-1524  |             |
| 26          | 74162-1026  | 74162-1126  | 74162-1226  | 74162-1326  | 74162-1426  | 74162-1526  |             |
| 28          | 74162-1028  | 74162-1128  | 74162-1228  | 74162-1328  | 74162-1428  | 74162-1528  |             |
| 30          | 74162-1030  | 74162-1130  | 74162-1230  | 74162-1330  | 74162-1430  | 74162-1530  |             |
| 32          | 74162-1032  | 74162-1132  | 74162-1232  | 74162-1332  | 74162-1432  | 74162-1532  |             |
| 34          | 74162-1034  | 74162-1134  | 74162-1234  | 74162-1334  | 74162-1434  | 74162-1534  |             |
| 36          | 74162-1036  | 74162-1136  | 74162-1236  | 74162-1336  | 74162-1436  | 74162-1536  |             |
| 38          | 74162-1038  | 74162-1138  | 74162-1238  | 74162-1338  | 74162-1438  | 74162-1538  |             |
| 40          | 74162-1040  | 74162-1140  | 74162-1240  | 74162-1340  | 74162-1440  | 74162-1540  |             |
| 42          | 74162-1042  | 74162-1142  | 74162-1242  | 74162-1342  | 74162-1442  | 74162-1542  |             |
| 44          | 74162-1044  | 74162-1144  | 74162-1244  | 74162-1344  | 74162-1444  | 74162-1544  |             |
| 46          | 74162-1046  | 74162-1146  | 74162-1246  | 74162-1346  | 74162-1446  | 74162-1546  |             |
| 48          | 74162-1048  | 74162-1148  | 74162-1248  | 74162-1348  | 74162-1448  | 74162-1548  |             |
| 50          | 74162-1050  | 74162-1150  | 74162-1250  | 74162-1350  | 74162-1450  | 74162-1550  |             |
| 52          | 74162-1052  | 74162-1152  | 74162-1252  | 74162-1352  | 74162-1452  | 74162-1552  |             |
| 54          | 74162-1054  | 74162-1154  | 74162-1254  | 74162-1354  | 74162-1454  | 74162-1554  |             |
| 56          | 74162-1056  | 74162-1156  | 74162-1256  | 74162-1356  | 74162-1456  | 74162-1556  |             |
| 58          | 74162-1058  | 74162-1158  | 74162-1258  | 74162-1358  | 74162-1458  | 74162-1558  |             |
| 60          | 74162-1060  | 74162-1160  | 74162-1260  | 74162-1360  | 74162-1460  | 74162-1560  |             |
| 62          | 74162-1062  | 74162-1162  | 74162-1262  | 74162-1362  | 74162-1462  | 74162-1562  |             |
| 64          | 74162-1064  | 74162-1164  | 74162-1264  | 74162-1364  | 74162-1464  | 74162-1564  |             |
| 66          | 74162-1066  | 74162-1166  | 74162-1266  | 74162-1366  | 74162-1466  | 74162-1566  |             |
| 68          | 74162-1068  | 74162-1168  | 74162-1268  | 74162-1368  | 74162-1468  | 74162-1568  |             |
| 70          | 74162-1070  | 74162-1170  | 74162-1270  | 74162-1370  | 74162-1470  | 74162-1570  |             |
| 72          | 74162-1072  | 74162-1172  | 74162-1272  | 74162-1372  | 74162-1472  | 74162-1572  |             |

|  |                               |   |  |  |  |                              |              |   |  |
|--|-------------------------------|---|--|--|--|------------------------------|--------------|---|--|
| <b>INITIAL RELEASE</b><br>EC NO. UCF2009-1776<br>2009/03/27<br>DRAWN BY BARBA<br>2009/04/20<br>CHKD BY BARKER<br>APPR: SMILLER<br>2009/04/21 | QUALITY SYMBOLS<br>▽=0<br>▽=0 | GENERAL TOLERANCES (UNLESS SPECIFIED)   |  | DIMENSION STYLE<br>MM/IN                             |  | SCALE                        | DESIGN UNITS | THIRD ANGLE PROJECTION  |  |
|  |                               | 4 PLACES ±.010 ±.010<br>3 PLACES ±.025 ±.014<br>2 PLACES ±.036 ±.014<br>1 PLACE ±.036 ±.014                                   |  | mm INCH<br>±.010 ±.010<br>±.025 ±.014<br>±.036 ±.014 |  | INCH                         | INCH         | DRAWN BY DATE<br>SMILLER 2009/03/27<br>CHECKED BY DATE<br>BARKER 2009/03/27<br>APPROVED BY DATE<br>SMILLER 2009/03/27 | TITLE<br>SALES ASSEMBLY<br>WAFER-RIGHT ANGLE FULLY<br>SHROUDED .100 GRID |
|  |                               | DRAFT WHERE APPLICABLE<br>MUST REMAIN WITHIN DIMENSIONS   |  | MATERIAL NO.<br>SEE TABLE                            |  | DOCUMENT NO.<br>SD-74162-001 |              | SHEET NO.<br>4 OF 8   |  |
|  |                               | THIS DRAWING CONTAINS INFORMATION THAT IS PROPRIETARY TO MOLEX INCORPORATED AND SHOULD NOT BE USED WITHOUT WRITTEN PERMISSION |  |  |  |                              |              |   |  |



RECOMMENDED P.C. BOARD HOLE LAYOUT



SECTION J-J

- NOTES
- MATERIAL: SHROUDED WAFER: GLASS FILLED, LIQUID CRYSTAL POLYMER, COLOR: BLACK, UL94V-0  
PINS: PHOSPHOR BRONZE
  - FINISH:  
TIN - 3.81 MICROMETERS/150 MICRONS MINIMUM TIN PLATE OVER NICKEL UNDERPLATE OVERALL  
15 GOLD - 0.38 MICROMETERS/15 MICRONS MINIMUM GOLD PLATE IN SELECT AREA  
1.91 MICROMETERS/75 MICRONS MINIMUM TIN PLATE IN SELECT AREA OVER NICKEL UNDERPLATE OVERALL  
30 GOLD - 0.76 MICROMETERS/30 MICRONS MINIMUM GOLD PLATE IN SELECT AREA  
1.91 MICROMETERS/75 MICRONS MINIMUM TIN PLATE IN SELECT AREA OVER NICKEL UNDERPLATE OVERALL
  - PRODUCT SPECIFICATION: PS-74162-0001
  - PACKAGING INFORMATION: SEE CHARTS
  - FOR CHARTED DIMENSIONS AND ASSEMBLY N.O.S NOT SHOWN ON THIS SHEET - SEE SHEET 6.
  - 20 CIRCUIT SIZE SHOWN FOR ILLUSTRATION PURPOSES.
  - PIN PUSH-OUT FORCE: (17.79) N/4 LBS.
  - PINS MUST MEET SOLDERABILITY SPEC. MIL-STD-202 METHOD 208B.
  - ROW TO ROW PIN HEIGHT VARIATION MUST NOT EXCEED (0.25)/0.010 IN.
  - THIS PART CONFORMS TO CLASS B REQUIREMENTS OF COSMETIC SPECIFICATION PS-45499-002.



| CKT. | DIM. 'A'    | DIM. 'B'      | DIM. 'C'      | DIM. 'F'      | DIM. 'G'      | DIM. 'H'      | DIM. 'X'    |
|------|-------------|---------------|---------------|---------------|---------------|---------------|-------------|
| 06   | (3.81) .150 | (12.70) .500  | (5.08) .200   |               |               | (10.46) .412  | (3.30) .130 |
| 08   | (3.81) .150 | (15.24) .600  | (7.62) .300   |               |               | (13.00) .512  | (3.30) .130 |
| 10   | (3.81) .150 | (17.78) .700  | (10.16) .400  |               |               | (15.54) .612  | (4.42) .174 |
| 12   | (3.81) .150 | (20.32) .800  | (12.70) .500  |               |               | (18.08) .712  | (4.42) .174 |
| 14   | (3.81) .150 | (22.86) .900  | (15.24) .600  |               |               | (20.62) .812  | (4.42) .174 |
| 16   | (3.81) .150 | (25.40) 1.000 | (17.78) .700  |               |               | (23.16) .912  | (4.42) .174 |
| 18   | (3.81) .150 | (27.94) 1.100 | (20.32) .800  |               |               | (25.70) 1.012 | (4.42) .174 |
| 20   | (3.81) .150 | (30.48) 1.200 | (22.86) .900  |               |               | (28.24) 1.112 | (4.42) .174 |
| 22   | (3.81) .150 | (33.02) 1.300 | (25.40) 1.000 |               |               | (30.78) 1.212 | (4.42) .174 |
| 24   | (3.81) .150 | (35.56) 1.400 | (27.94) 1.100 | (16.64) .655  |               | (33.32) 1.312 | (4.42) .174 |
| 26   | (3.81) .150 | (38.10) 1.500 | (30.48) 1.200 | (16.64) .655  |               | (35.86) 1.412 | (4.42) .174 |
| 28   | (3.81) .150 | (40.64) 1.600 | (33.02) 1.300 | (16.64) .655  |               | (38.40) 1.512 | (4.42) .174 |
| 30   | (3.81) .150 | (43.18) 1.700 | (35.56) 1.400 | (16.64) .655  |               | (40.94) 1.612 | (4.42) .174 |
| 32   | (3.81) .150 | (45.72) 1.800 | (38.10) 1.500 | (16.64) .655  |               | (43.48) 1.712 | (4.42) .174 |
| 34   | (3.81) .150 | (48.26) 1.900 | (40.64) 1.600 | (16.64) .655  | (16.76) .660  | (46.02) 1.812 | (4.42) .174 |
| 36   | (3.81) .150 | (50.80) 2.000 | (43.18) 1.700 | (16.64) .655  | (16.76) .660  | (48.56) 1.912 | (4.42) .174 |
| 38   | (3.81) .150 | (53.34) 2.100 | (45.72) 1.800 | (16.64) .655  | (16.76) .660  | (51.10) 2.012 | (4.42) .174 |
| 40   | (3.81) .150 | (55.88) 2.200 | (48.26) 1.900 | (16.64) .655  | (16.76) .660  | (53.64) 2.112 | (4.42) .174 |
| 42   | (3.81) .150 | (58.42) 2.300 | (50.80) 2.000 | (16.64) .655  | (16.76) .660  | (56.18) 2.212 | (4.42) .174 |
| 44   | (3.81) .150 | (60.96) 2.400 | (53.34) 2.100 | (19.05) .750  | (16.76) .660  | (58.72) 2.312 | (4.42) .174 |
| 46   | (3.81) .150 | (63.50) 2.500 | (55.88) 2.200 | (19.05) .750  | (16.76) .660  | (61.26) 2.412 | (4.42) .174 |
| 48   | (3.81) .150 | (66.04) 2.600 | (58.42) 2.300 | (19.05) .750  | (16.76) .660  | (63.80) 2.512 | (4.42) .174 |
| 50   | (3.81) .150 | (68.58) 2.700 | (60.96) 2.400 | (19.05) .750  | (16.76) .660  | (66.34) 2.612 | (4.42) .174 |
| 52   | (3.81) .150 | (71.12) 2.800 | (63.50) 2.500 | (19.05) .750  | (16.76) .660  | (68.88) 2.712 | (4.42) .174 |
| 54   | (3.81) .150 | (73.66) 2.900 | (66.04) 2.600 | (21.59) .850  | (21.84) .860  | (71.42) 2.812 | (4.42) .174 |
| 56   | (3.81) .150 | (76.20) 3.000 | (68.58) 2.700 | (21.59) .850  | (21.84) .860  | (73.96) 2.912 | (4.42) .174 |
| 58   | (3.81) .150 | (78.74) 3.100 | (71.12) 2.800 | (27.81) 1.095 | (26.32) 1.060 | (76.50) 3.012 | (4.42) .174 |
| 60   | (3.81) .150 | (81.28) 3.200 | (73.66) 2.900 | (27.81) 1.095 | (26.32) 1.060 | (79.04) 3.112 | (4.42) .174 |
| 62   | (3.81) .150 | (83.82) 3.300 | (76.20) 3.000 | (27.81) 1.095 | (26.32) 1.060 | (81.58) 3.212 | (4.42) .174 |
| 64   | (3.81) .150 | (86.36) 3.400 | (78.74) 3.100 | (27.81) 1.095 | (26.32) 1.060 | (84.12) 3.312 | (4.42) .174 |
| 66   | (3.81) .150 | (88.90) 3.500 | (81.28) 3.200 | (27.81) 1.095 | (26.32) 1.060 | (86.66) 3.412 | (4.42) .174 |
| 68   | (3.81) .150 | (91.44) 3.600 | (83.82) 3.300 | (27.81) 1.095 | (26.32) 1.060 | (89.20) 3.512 | (4.42) .174 |
| 70   | (3.81) .150 | (93.98) 3.700 | (86.36) 3.400 | (27.81) 1.095 | (26.32) 1.060 | (91.74) 3.612 | (4.42) .174 |
| 72   | (3.81) .150 | (96.52) 3.800 | (88.90) 3.500 | (27.81) 1.095 | (26.32) 1.060 | (94.28) 3.712 | (4.42) .174 |

|   |  |  |   |  |                  |
|---|--|--|---|--|------------------|
| <b>INITIAL RELEASE</b><br>EC NO: UCP2009-1776<br>DRWN:SBARRA 2009/03/27<br>CHKD:BBARKER 2009/04/20<br>APPR:SMILLER 2009/04/21 | QUALITY SYMBOLS<br>▽=0<br>▽=0                        | GENERAL TOLERANCES (UNLESS SPECIFIED)<br>DIMENSION STYLE: MM/IN<br>SCALE: INCH<br>DESIGN UNITS: INCH<br>THIRD ANGLE PROJECTION | DRAWN BY: SMILLER DATE: 2009/03/27<br>CHECKED BY: BBARKER DATE: 2009/03/27<br>APPROVED BY: SMILLER DATE: 2009/03/27           | TITLE: SALES ASSEMBLY WAFER-RIGHT ANGLE FULLY SHROUDED .100 GRID<br>MOLEX INCORPORATED | SHEET NO. 5 OF 8 |
|   | DRAFT WHERE APPLICABLE MUST REMAIN WITHIN DIMENSIONS | MATERIAL NO. SEE TABLE<br>DOCUMENT NO. SD-74162-001  | THIS DRAWING CONTAINS INFORMATION THAT IS PROPRIETARY TO MOLEX INCORPORATED AND SHOULD NOT BE USED WITHOUT WRITTEN PERMISSION |  |                  |
|   | MATERIAL NO. SD-74162-001                            |  |   |  |                  |
|   | SIZE: D  |  |   |  |                  |

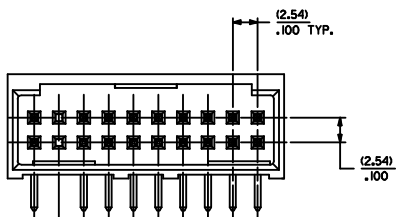
| ITEM NUMBER<br>74162 | P<br>REF     | PLATING<br>FINISH | CONNECTOR END PLATING |              |              | PC BOARD END PLATING |              |              | INFORMATION<br>PK-70873 |
|----------------------|--------------|-------------------|-----------------------|--------------|--------------|----------------------|--------------|--------------|-------------------------|
|                      |              |                   | TYPE                  | J<br>LENGTH  | K<br>MEAS.   | TYPE                 | L<br>LENGTH  | M<br>MEAS.   |                         |
| -2006-2072           | 3.30<br>.130 | TIN               | TIN                   | ---          | 2.54<br>.100 | TIN                  | ---          | 1.27<br>.050 | 0019                    |
| -2106-2172           | 5.08<br>.200 | TIN               | TIN                   | ---          | 2.54<br>.100 | TIN                  | ---          | 1.27<br>.050 | 0019                    |
| -2206-2272           | 3.30<br>.130 | 15 GOLD           | GOLD                  | 5.08<br>.200 | 2.54<br>.100 | TIN                  | 2.54<br>.100 | 1.27<br>.050 | 0019                    |
| -2306-2372           | 5.08<br>.200 | 15 GOLD           | GOLD                  | 5.08<br>.200 | 2.54<br>.100 | TIN                  | 2.54<br>.100 | 1.27<br>.050 | 0019                    |
| -2406-2472           | 3.30<br>.130 | 30 GOLD           | GOLD                  | 5.08<br>.200 | 2.54<br>.100 | TIN                  | 2.54<br>.100 | 1.27<br>.050 | 0019                    |
| -2506-2572           | 5.08<br>.200 | 30 GOLD           | GOLD                  | 5.08<br>.200 | 2.54<br>.100 | TIN                  | 2.54<br>.100 | 1.27<br>.050 | 0019                    |

| NO. OF CKTS | ITEM NUMBER | ITEM NUMBER | ITEM NUMBER | ITEM NUMBER | ITEM NUMBER | ITEM NUMBER | ITEM NUMBER |
|-------------|-------------|-------------|-------------|-------------|-------------|-------------|-------------|
| 6           | 74162-2006  | 74162-2106  | 74162-2206  | 74162-2306  | 74162-2406  | 74162-2506  |             |
| 8           | 74162-2008  | 74162-2108  | 74162-2208  | 74162-2308  | 74162-2408  | 74162-2508  |             |
| 10          | 74162-2010  | 74162-2110  | 74162-2210  | 74162-2310  | 74162-2410  | 74162-2510  |             |
| 12          | 74162-2012  | 74162-2112  | 74162-2212  | 74162-2312  | 74162-2412  | 74162-2512  |             |
| 14          | 74162-2014  | 74162-2114  | 74162-2214  | 74162-2314  | 74162-2414  | 74162-2514  |             |
| 16          | 74162-2016  | 74162-2116  | 74162-2216  | 74162-2316  | 74162-2416  | 74162-2516  |             |
| 18          | 74162-2018  | 74162-2118  | 74162-2218  | 74162-2318  | 74162-2418  | 74162-2518  |             |
| 20          | 74162-2020  | 74162-2120  | 74162-2220  | 74162-2320  | 74162-2420  | 74162-2520  |             |
| 22          | 74162-2022  | 74162-2122  | 74162-2222  | 74162-2322  | 74162-2422  | 74162-2522  |             |
| 24          | 74162-2024  | 74162-2124  | 74162-2224  | 74162-2324  | 74162-2424  | 74162-2524  |             |
| 26          | 74162-2026  | 74162-2126  | 74162-2226  | 74162-2326  | 74162-2426  | 74162-2526  |             |
| 28          | 74162-2028  | 74162-2128  | 74162-2228  | 74162-2328  | 74162-2428  | 74162-2528  |             |
| 30          | 74162-2030  | 74162-2130  | 74162-2230  | 74162-2330  | 74162-2430  | 74162-2530  |             |
| 32          | 74162-2032  | 74162-2132  | 74162-2232  | 74162-2332  | 74162-2432  | 74162-2532  |             |
| 34          | 74162-2034  | 74162-2134  | 74162-2234  | 74162-2334  | 74162-2434  | 74162-2534  |             |
| 36          | 74162-2036  | 74162-2136  | 74162-2236  | 74162-2336  | 74162-2436  | 74162-2536  |             |
| 38          | 74162-2038  | 74162-2138  | 74162-2238  | 74162-2338  | 74162-2438  | 74162-2538  |             |
| 40          | 74162-2040  | 74162-2140  | 74162-2240  | 74162-2340  | 74162-2440  | 74162-2540  |             |
| 42          | 74162-2042  | 74162-2142  | 74162-2242  | 74162-2342  | 74162-2442  | 74162-2542  |             |
| 44          | 74162-2044  | 74162-2144  | 74162-2244  | 74162-2344  | 74162-2444  | 74162-2544  |             |
| 46          | 74162-2046  | 74162-2146  | 74162-2246  | 74162-2346  | 74162-2446  | 74162-2546  |             |
| 48          | 74162-2048  | 74162-2148  | 74162-2248  | 74162-2348  | 74162-2448  | 74162-2548  |             |
| 50          | 74162-2050  | 74162-2150  | 74162-2250  | 74162-2350  | 74162-2450  | 74162-2550  |             |
| 52          | 74162-2052  | 74162-2152  | 74162-2252  | 74162-2352  | 74162-2452  | 74162-2552  |             |
| 54          | 74162-2054  | 74162-2154  | 74162-2254  | 74162-2354  | 74162-2454  | 74162-2554  |             |
| 56          | 74162-2056  | 74162-2156  | 74162-2256  | 74162-2356  | 74162-2456  | 74162-2556  |             |
| 58          | 74162-2058  | 74162-2158  | 74162-2258  | 74162-2358  | 74162-2458  | 74162-2558  |             |
| 60          | 74162-2060  | 74162-2160  | 74162-2260  | 74162-2360  | 74162-2460  | 74162-2560  |             |
| 62          | 74162-2062  | 74162-2162  | 74162-2262  | 74162-2362  | 74162-2462  | 74162-2562  |             |
| 64          | 74162-2064  | 74162-2164  | 74162-2264  | 74162-2364  | 74162-2464  | 74162-2564  |             |
| 66          | 74162-2066  | 74162-2166  | 74162-2266  | 74162-2366  | 74162-2466  | 74162-2566  |             |
| 68          | 74162-2068  | 74162-2168  | 74162-2268  | 74162-2368  | 74162-2468  | 74162-2568  |             |
| 70          | 74162-2070  | 74162-2170  | 74162-2270  | 74162-2370  | 74162-2470  | 74162-2570  |             |
| 72          | 74162-2072  | 74162-2172  | 74162-2272  | 74162-2372  | 74162-2472  | 74162-2572  |             |

|   |   |   |                 |                    |   |                               |
|---|---|---|-----------------|--------------------|---|-------------------------------|
| <b>INITIAL RELEASE</b><br>EC NO. UCF2009-1776<br>2009/03/27<br>DRAWN BY BARBA<br>2009/04/20<br>CHKD BY BARKER<br>2009/04/21<br>APPR. BY MILLER<br>2009/04/21<br>REV DESCRIPTION | QUALITY SYMBOLS   | GENERAL TOLERANCES (UNLESS SPECIFIED)   | DIMENSION STYLE | SCALE              | DESIGN UNITS  | THIRD ANGLE PROJECTION        |
|   | ▽=0<br>▽=0  | mm INCH   | MM/IN           | DATE               | INCH  | ☉ □<br>THIRD ANGLE PROJECTION |
|   |   | 4 PLACES ± --- ± ---  | DRAWN BY        | DATE               | TITLE   |                               |
|   |   | 3 PLACES ± --- ± .010   | CHECKED BY      | DATE               | SALES ASSEMBLY<br>WAFER-RIGHT ANGLE FULLY<br>SHROUDED .100 GRID |                               |
|   | 2 PLACES ± 0.25 ± .014                                  | APPROVED BY   | DATE            | MOLEX INCORPORATED |   |                               |
|   | 1 PLACE ± 0.36 ± ---                                    |   |                 |                    |   |                               |
|   | ANGULAR ±1/2°   |   |                 |                    |   |                               |
|   | DRAFT WHERE APPLICABLE<br>MUST REMAIN WITHIN DIMENSIONS | MATERIAL NO.  | DOCUMENT NO.    | SHEET NO.          |   |                               |
|   |   | SEE TABLE   | SD-74162-001    | 6 OF 8             |   |                               |
|   |   | THIS DRAWING CONTAINS INFORMATION THAT IS PROPRIETARY TO MOLEX INCORPORATED AND SHOULD NOT BE USED WITHOUT WRITTEN PERMISSION |                 |                    |   |                               |



**STYLE "A"**



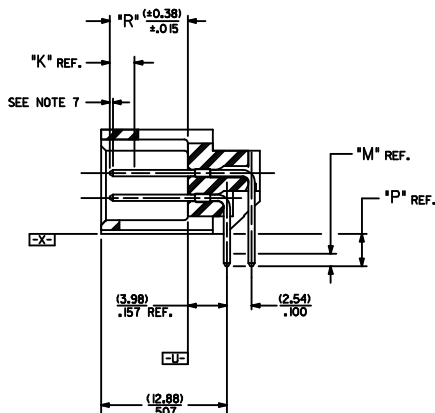
**STYLE "B"**



**STYLE "C"**



USE FOR LOCATING VOIDED PINS ON ALL STYLES  
 LETTERS AND NUMBERS ARE NOT DESIGNATED ON WAFER HOUSING  
 (SEE NOTE 10 AND CHART ON SHEET 8)



SECTION J-J

**NOTES**

- MATERIAL: SHROUDED WAFER: GLASS FILLED, LIQUID CRYSTAL POLYMER, COLOR: BLACK, UL94V-0  
 PINS: PHOSPHOR BRONZE
- FINISH:  
 TIN - 3.81 MICROMETERS/150 MICRONCHES MINIMUM TIN PLATE OVER NICKEL UNDERPLATE OVERALL  
 15 GOLD - 0.38 MICROMETERS/15 MICRONCHES MINIMUM GOLD PLATE IN SELECT AREA OVER NICKEL UNDERPLATE OVERALL  
 30 GOLD - 0.76 MICROMETERS/30 MICRONCHES MINIMUM GOLD PLATE IN SELECT AREA OVER NICKEL UNDERPLATE OVERALL
- PRODUCT SPECIFICATION: PS-74162-0001
- PACKAGING INFORMATION: SEE CHARTS
- PINS MUST MEET SOLDERABILITY SPEC. MIL-STD-202 METHOD 208B.
- PIN PUSHOUT FORCE: (17.79 N)/4 LBS.
- ROW TO ROW PIN HEIGHT VARIATION MUST NOT EXCEED (0.25)/0.10 IN.
- 20 CIRCUIT SIZE WITH PINS VOIDED IN LOCATIONS A-2 AND B-2 SHOWN FOR ILLUSTRATION PURPOSES.
- FOR VARIABLE DIMENSIONS, CIRCUIT SIZE, WAFER STYLE AND ASSEMBLY NUMBER - SEE SHEET 8.
- FOR VOIDED PIN LOCATIONS SEE STYLE 'C' AND CHART ON SHEET 8.
- FOR DIMENSIONS NOT SHOWN, FIRST: DETERMINE THE SHROUDED WAFER STYLE FROM CHART ON SHEET 8, SECOND: USING WAFER STYLE, LOCATE THE CORRESPONDING SHEET WITH NON-VOIDED ASSEMBLIES AND DIMENSIONS FOR ALL CIRCUIT SIZES.
- THIS PART CONFORMS TO CLASS B REQUIREMENTS OF COSMETIC SPECIFICATION PS-45499-002.

|   |                               |   |                    |                              |      |                     |   |                        |
|---|-------------------------------|---|--------------------|------------------------------|------|---------------------|---|------------------------|
| <b>INITIAL RELEASE</b><br>EC NO: UCP2009-1776<br>DRWN: SIBARRA 2009/03/27<br>CHKD: BBARKER 2009/04/20<br>APPR: SMILLER 2009/04/21 | QUALITY SYMBOLS<br>▽=0<br>▽=0 | GENERAL TOLERANCES (UNLESS SPECIFIED)   |                    | DIMENSION STYLE<br>MM/IN     |      | SCALE               | DESIGN UNITS  | THIRD ANGLE PROJECTION |
|   |                               | mm  | INCH               | DRAWN BY                     | DATE | TITLE               | SALES ASSEMBLY<br>WAFER-RIGHT ANGLE FULLY<br>SHROUDED .100 GRID | MOLEX INCORPORATED     |
|   |                               | 4 PLACES ± --- ± ---  | SMILLER 2009/03/27 | 2009/03/27                   |      |                     |   |                        |
|   |                               | 3 PLACES ± --- ± .010   | BBARKER 2009/03/27 | 2009/03/27                   |      |                     |   |                        |
| 2 PLACES ± 0.25 ± .014  | SMILLER 2009/03/27            | 2009/03/27  |                    |                              |      |                     |   |                        |
| 1 PLACE ± 0.36 ± ---  |                               |   |                    |                              |      |                     |   |                        |
| ANGULAR ±1/2°   |                               | MATERIAL NO.<br>SEE TABLE   |                    | DOCUMENT NO.<br>SD-74162-001 |      | SHEET NO.<br>7 OF 8 |   |                        |
| DRAFT WHERE APPLICABLE MUST REMAIN WITHIN DIMENSIONS  |                               | THIS DRAWING CONTAINS INFORMATION THAT IS PROPRIETARY TO MOLEX INCORPORATED AND SHOULD NOT BE USED WITHOUT WRITTEN PERMISSION |                    |                              |      |                     |   |                        |

| ITEM NUMBER<br>74162 | SHROUDED<br>WAFER<br>STYLE<br>SEE SHEET 7 | CKT<br>SIZE | R<br>±<br>0.38<br>.015 | P<br>REF     | PLATING<br>FINISH | CONNECTOR END PLATING |  |              | PC BOARD END PLATING |  |              | VOIDED PIN LOCATION(S)<br>(SEE NOTE 3 ON SHEET 7) |          | INFORMATION<br>PK-70873 |
|----------------------|---|-------------|------------------------|--------------|-------------------|-----------------------|--|--------------|----------------------|--|--------------|---|----------|-------------------------|
|                      |   |             |                        |              |                   | TYPE                  |  | K<br>MEAS.   | TYPE                 |  | M<br>MEAS.   | ROW   | POSITION |                         |
| 74162-3001           | B   | 14          | 8.00<br>.315           | 3.30<br>.130 | TIN               | TIN                   |  | 2.54<br>.100 | TIN                  |  | 1.27<br>.050 | A   | 1        | 0019                    |
| 74162-3002           | A   | 16          | 8.00<br>.315           | 5.08<br>.200 | TIN               | TIN                   |  | 2.54<br>.100 | TIN                  |  | 1.27<br>.050 | A   | 8        | 0019                    |
| 74612-3003           | A   | 30          | 8.00<br>.315           | 3.30<br>.130 | 15 GOLD           | GOLD                  |  | 2.54<br>.100 | TIN                  |  | 1.27<br>.050 | A   | 4        | 0019                    |
| X                    | X   |             | 8.00<br>.315           | 5.08<br>.200 | 15 GOLD           | GOLD                  |  | 2.54<br>.100 | TIN                  |  | 1.27<br>.050 |   |          |                         |
| X                    | X   |             | 8.00<br>.315           | 3.30<br>.130 | 30 GOLD           | GOLD                  |  | 2.54<br>.100 | TIN                  |  | 1.27<br>.050 |   |          |                         |
| X                    | X   |             | 8.00<br>.315           | 5.08<br>.200 | 30 GOLD           | GOLD                  |  | 2.54<br>.100 | TIN                  |  | 1.27<br>.050 |   |          |                         |
| X                    | X   |             | 6.35<br>.250           | 3.30<br>.130 | TIN               | TIN                   |  | 2.54<br>.100 | TIN                  |  | 1.27<br>.050 |   |          |                         |

| <b>INITIAL RELEASE</b><br>IEC NO: UICP2009-1776<br>DRAWN BY: BARRA 2009/03/27<br>CHYKOBARKER 2009/04/20<br>APPR: SMILLER 2009/04/21 | QUALITY SYMBOLS  | GENERAL TOLERANCES (UNLESS SPECIFIED)   | DIMENSION STYLE  | SCALE        | DESIGN UNITS | THIRD ANGLE PROJECTION |      |      |          |      |       |          |       |       |         |       |      |       |      |      |  |
|---|--|---|--|--------------|--------------|------------------------|------|------|----------|------|-------|----------|-------|-------|---------|-------|------|-------|------|------|--|
|   | $\nabla=0$<br>$\nabla=0$                                   | <table border="1"> <tr> <th></th> <th>mm</th> <th>INCH</th> </tr> <tr> <td>4 PLACES</td> <td>±---</td> <td>±---</td> </tr> <tr> <td>3 PLACES</td> <td>±---</td> <td>±.010</td> </tr> <tr> <td>2 PLACES</td> <td>±0.25</td> <td>±.014</td> </tr> <tr> <td>1 PLACE</td> <td>±0.36</td> <td>±---</td> </tr> </table> |  | mm           | INCH         | 4 PLACES               | ±--- | ±--- | 3 PLACES | ±--- | ±.010 | 2 PLACES | ±0.25 | ±.014 | 1 PLACE | ±0.36 | ±--- | MM/IN | INCH | INCH |  |
|   |  | mm  | INCH   |              |              |                        |      |      |          |      |       |          |       |       |         |       |      |       |      |      |  |
|   | 4 PLACES   | ±---  | ±---   |              |              |                        |      |      |          |      |       |          |       |       |         |       |      |       |      |      |  |
| 3 PLACES  | ±---   | ±.010   |  |              |              |                        |      |      |          |      |       |          |       |       |         |       |      |       |      |      |  |
| 2 PLACES  | ±0.25  | ±.014   |  |              |              |                        |      |      |          |      |       |          |       |       |         |       |      |       |      |      |  |
| 1 PLACE   | ±0.36  | ±---  |  |              |              |                        |      |      |          |      |       |          |       |       |         |       |      |       |      |      |  |
| DESCRIPTION   | DRAFT WHERE APPLICABLE<br>MUST REMAIN<br>WITHIN DIMENSIONS | DRAWN BY: SMILLER 2009/03/27<br>CHECKED BY: BBARKER 2009/03/27<br>APPROVED BY: SMILLER 2009/03/27   | DATE   | DATE         | DATE         |                        |      |      |          |      |       |          |       |       |         |       |      |       |      |      |  |
| REV   |  |   | MATERIAL NO.   | DOCUMENT NO. |              |                        |      |      |          |      |       |          |       |       |         |       |      |       |      |      |  |
|   |  |   | SEE TABLE  | SD-74162-001 |              |                        |      |      |          |      |       |          |       |       |         |       |      |       |      |      |  |
|   |  |   | THIS DRAWING CONTAINS INFORMATION THAT IS PROPRIETARY TO MOLEX<br>INCORPORATED AND SHOULD NOT BE USED WITHOUT WRITTEN PERMISSION |              |              |                        |      |      |          |      |       |          |       |       |         |       |      |       |      |      |  |