

FEATURES

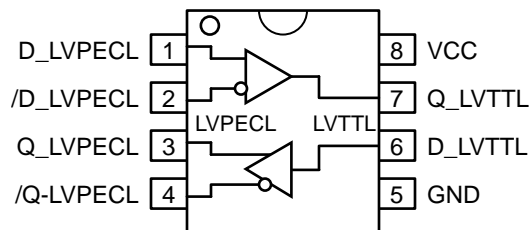
- 3.3V ±10% power supply
- Guaranteed AC parameters over temperature:
f_{MAX} > 275MHz (LVTTTL)
- < 2ns LVPECL-to-LVTTTL propagation delay
- < 600ps LVTTTL-to-LVPECL propagation delay
- Internal 75kΩ input pull-down resistors
- Industrial temperature range: -40°C to +85°C
- Available in 8-pin MSOP and SOIC packages

DESCRIPTION

The SY10/100EPT28L is a differential LVPECL-to-LVTTTL translator and a LVTTTL-to-differential LVPECL translator in a single package. Because LVPECL (Positive ECL) levels are used, only +3.3V and ground are required. The small outline 8-pin package and the dual translation design of the EPT28L makes it ideal for applications which are sending and receiving signals across a backplane.

The 100K series includes temperature compensation. Thus, logic levels are constant over temperature.

PIN CONFIGURATION/BLOCK DIAGRAM



TOP VIEW
(Available in MSOP or SOIC package)

PIN NAMES

Pin	Function
D_LVTTTL	Low Voltage TTL Input
Q_LVTTTL	Low Voltage TTL Output
D_LVPECL /D_LVPECL	Low Voltage Differential PECL Inputs with 75kΩ internal pull-down
Q_LVPECL /Q_LVPECL	Low Voltage Differential PECL Outputs
V _{CC}	3.3V Positive Supply
GND	Ground

ABSOLUTE MAXIMUM RATINGS⁽¹⁾

Symbol	Rating	Value	Unit
V _{CC}	Power Supply Voltage	-0.5 to +3.8	V
V _{IN}	Input Voltage	0 to V _{CC}	V
I _{OUT}	LVPECL Output Current -Continuous -Surge	50 100	mV
T _A	Operating Temperature Range	-40 to +85	°C
T _{store}	Storage Temperature Range	-65 to +150	°C
θ _{JA}	Package Thermal Resistance (Junction-to-Ambient)	-Still-Air (SOIC) -500lfpm (SOIC) -Still-Air (MSOP) -500lfpm (MSOP)	160 109 206 155 °C/W
θ _{JC}	Package Thermal Resistance (Junction-to-Case)	(SOIC) (MSOP)	39 39 °C/W

NOTE:

1. Permanent device damage may occur if ABSOLUTE MAXIMUM RATINGS are exceeded. This is a stress rating only and functional operation is not implied at conditions other than those detailed in the operational sections of this data sheet. Exposure to ABSOLUTE MAXIMUM RATING conditions for extended periods may affect device reliability.

DC ELECTRICAL CHARACTERISTICS⁽¹⁾

Symbol	Parameter	T _A = -40°C			T _A = +25°C			T _A = +85°C			Unit	Condition
		Min.	Typ.	Max.	Min.	Typ.	Max.	Min.	Typ.	Max.		
V _{CC}	Power Supply Voltage	3.0	3.3	3.6	3.0	3.3	3.6	3.0	3.3	3.6	V	
I _{CC}	Power Supply Current	—	20	40	—	22	40	—	25	40	mA	

NOTE:

1. 10/100KEPT circuits are designed to meet the DC specifications shown in the above table after thermal equilibrium has been established. The circuit is in a test socket or mounted on a printed circuit board and traverse airflow greater than 500lfpm is maintained.

LVPECL DC ELECTRICAL CHARACTERISTICS⁽¹⁾

$$V_{CC} = 3.3V \pm 10\%$$

Symbol	Parameter		T _A = -40°C			T _A = +25°C			T _A = +85°C			Unit	Condition
			Min.	Typ.	Max.	Min.	Typ.	Max.	Min.	Typ.	Max.		
V _{OH}	Output HIGH ⁽²⁾ Voltage	10EPT	2165	2290	2415	2230	2355	2480	2290	2415	2540	mV	
		100EPT	2155	2280	2405	2155	2280	2405	2155	2280	2405		
V _{OL}	Output LOW ⁽²⁾ Voltage	10EPT	1365	1490	1615	1430	1555	1680	1490	1615	1740	mV	
		100EPT	1355	1480	1605	1355	1480	1605	1355	1480	1605		
V _{IH}	Input HIGH ⁽²⁾ Voltage	10EPT	2090	—	2415	2155	—	2480	2215	—	2540	mV	
		100EPT	2075	—	2420	2075	—	2420	2075	—	2420		
V _{IL}	Input LOW ⁽²⁾ Voltage	10EPT	1365	—	1690	1430	—	1755	1490	—	1815	mV	
		100EPT	1355	—	1675	1355	—	1675	1355	—	1675		
I _{IH}	Input HIGH Current		—	—	150	—	—	150	—	—	150	μA	V _{IN} = 3.46V
I _{IL}	Input LOW Current /D, D		0.5	—	0.5	—	—	0.5	—	—	0.5	μA	
C _{IN}	Input Capacitance (SOIC) (MSOP)		—	—	—	—	0.75 1.1	—	—	—	—	pF pF	

NOTES:

1. 10/100KEPT circuits are designed to meet the DC specifications shown in the above table after thermal equilibrium has been established. The circuit is in a test socket or mounted on a printed circuit board and traverse airflow greater than 500lfpm is maintained.
2. Input and output parameters vary 1:1 with V_{CC}.

LVTTTL DC ELECTRICAL CHARACTERISTICS⁽¹⁾

$V_{CC} = 3.3V \pm 10\%$

Symbol	Parameter	$T_A = -40^\circ\text{C}$			$T_A = +25^\circ\text{C}$			$T_A = +85^\circ\text{C}$			Unit	Condition
		Min.	Typ.	Max.	Min.	Typ.	Max.	Min.	Typ.	Max.		
V_{OH}	Output HIGH Voltage	2.0	—	—	2.0	—	—	2.0	—	—	V	$I_{OH} = -3\text{mA}$
V_{OL}	Output LOW Voltage	—	—	0.5	—	—	0.5	—	—	0.5	V	$I_{OH} = -24\text{mA}$
V_{IH}	Input HIGH Voltage	2.0	—	—	2.0	—	—	2.0	—	—	V	
V_{IL}	Input LOW Voltage	—	—	0.8	—	—	0.8	—	—	0.8	V	
V_{IK}	Input Clamp Voltage	—	—	-1.2	—	—	-1.2	—	—	-1.2	V	$I_{IK} = -18\text{mA}$
I_{IH}	Input HIGH Current	—	—	20	—	—	20	—	—	20	μA	$V_{IN} = 2.7\text{V}$
		—	—	100	—	—	100	—	—	100	μA	$V_{IN} = V_{CC}$
I_{IL}	Input LOW Current	—	—	-0.2	—	—	-0.2	—	—	-0.2	μA	$V_{IN} = 0.5\text{V}$
$I_{OUT(SC)}$	LVTTTL Output Short-Circuit Current	-275	—	-80	-275	—	-80	-275	—	-80	mA	$V_{OUT} = 0\text{V}$
C_{IN}	Input Capacitance (SOIC) (MSOP)	—	—	—	—	0.75	—	—	—	—	pF	
		—	—	—	—	1.1	—	—	—	—	pF	

NOTE:

- 10/100KEPT circuits are designed to meet the DC specifications shown in the above table after thermal equilibrium has been established. The circuit is in a test socket or mounted on a printed circuit board and traverse airflow greater than 500lfpm is maintained.

AC ELECTRICAL CHARACTERISTICS

$V_{CC} = +3.3V \pm 10\%$

Symbol	Parameter	$T_A = -40^\circ\text{C}$			$T_A = +25^\circ\text{C}$			$T_A = +85^\circ\text{C}$			Unit	Condition
		Min.	Typ.	Max.	Min.	Typ.	Max.	Min.	Typ.	Max.		
f_{MAX}	Maximum Frequency LVPECL LVTTTL	700	—	—	700	—	—	700	—	—	MHz	Output Toggle Frequency
		275	350	—	275	350	—	275	350	—	MHz	
t_{PLH} t_{PHL}	Propagation Delay $D_LVPECL \rightarrow Q_LVTTTL$	1.5	—	2.5	1.5	—	2.5	1.5	—	2.5	ns	$C_L = 20\text{pF}$
	$Q_LVTTTL \rightarrow D_LVPECL$	100	400	600	100	400	600	100	400	600	ps	50Ω to $V_{CC}-2.0$
V_{CMR}	LVPECL Common Mode Range	1.2	—	V_{CC}	1.2	—	V_{CC}	1.2	—	V_{CC}	V	
V_{PP}	LVPECL Input Voltage Swing (Single-Ended) ⁽¹⁾	100	—	—	100	—	—	100	—	—	mV	
t_r, t_f	LVPECL Output Rise/Fall Times (20% to 80%)	200	—	500	200	—	500	200	—	500	ns	50Ω to $V_{CC}-2.0$
	LVTTTL Output Rise/Fall Times (10% to 90%)	0.5	—	1.0	0.5	—	1.0	0.5	—	1.0	ns	$C_L = 20\text{pF}$
t_{DC}	Duty Cycle	45	50	55	45	50	55	45	50	55	%	
t_{JITTER}	Cycle-to-Cycle Jitter (rms)	—	0.2	< 1	—	0.2	< 1	—	0.2	< 1	ps	RMS

NOTE:

1. V_{PP} (Min) is the minimum input swing for which AC parameters are guaranteed.

TERMINATION RECOMMENDATIONS

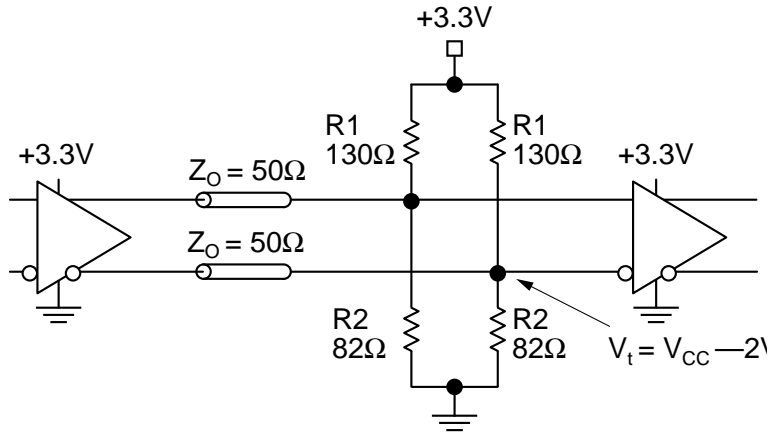


Figure 1. LVPECL Parallel Termination-Thevenin Equivalent

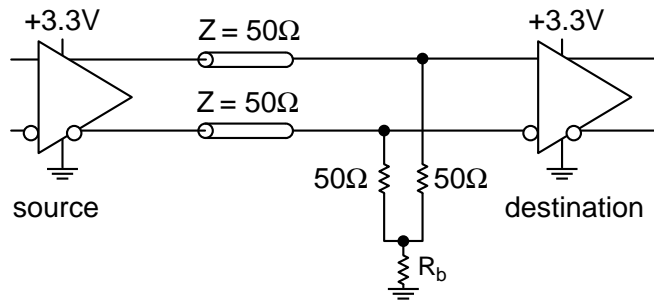


Figure 2. LVPECL Three-Resistor "Y-Termination"

Notes:

1. Power-saving alternative to 4-resistor, Thevenin termination.
2. Place termination resistors as close to destination inputs as possible.
3. R_b resistor sets the DC bias voltage, equal to V_t . For 3.3V supply, R_b value is between 46Ω to 50Ω.

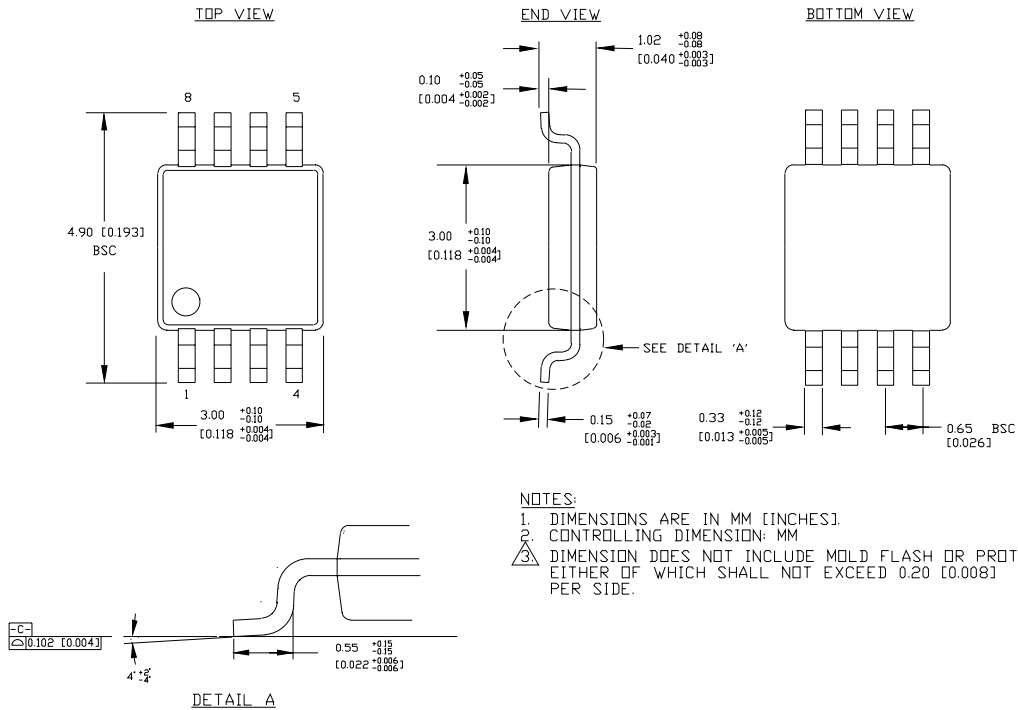
PRODUCT ORDERING CODE

Ordering Code	Package Type	Operating Range	Package Marking
SY10EPT28LZI	Z8-1	Industrial	HEP28
SY10EPT28LZITR*	Z8-1	Industrial	HEP28
SY100EPT28LZI	Z8-1	Industrial	XEP28
SY100EPT28LZITR*	Z8-1	Industrial	XEP28

Ordering Code	Package Type	Operating Range	Package Marking
SY10EPT28LKI	K8-1	Industrial	HP28
SY10EPT28LKITR*	K8-1	Industrial	HP28
SY100EPT28LKI	K8-1	Industrial	XP28
SY100EPT28LKITR*	K8-1	Industrial	XP28

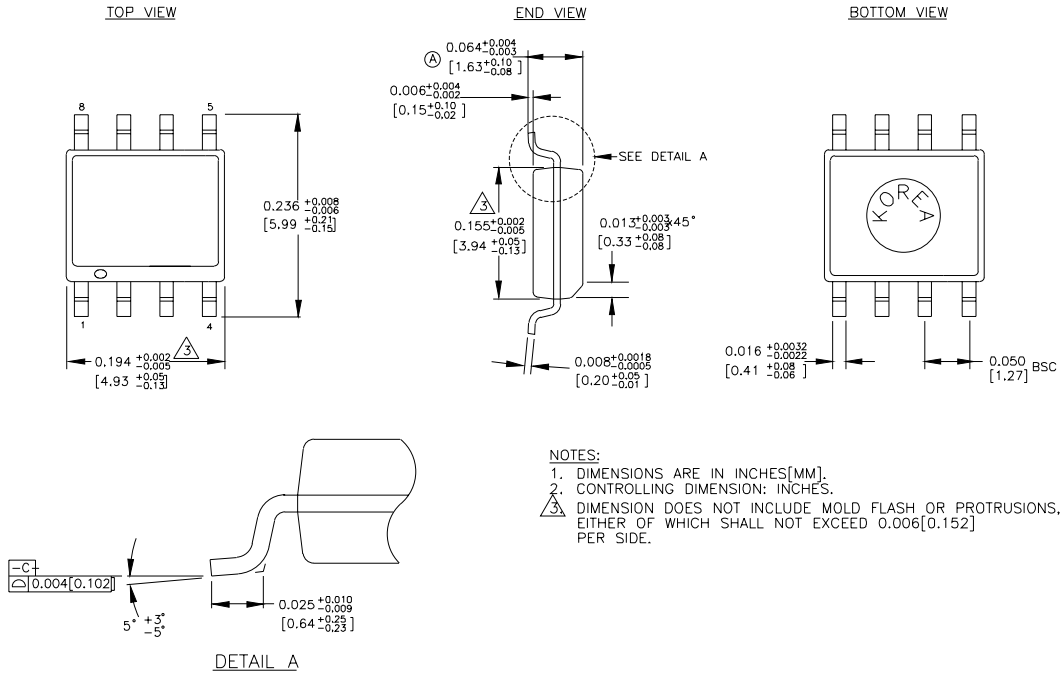
*Tape and Reel

8 LEAD MSOP (K8-1)



Rev.01

8 LEAD SOIC .150" WIDE (Z8-1)



NOTES:
 1. DIMENSIONS ARE IN INCHES[MM].
 2. CONTROLLING DIMENSION: INCHES.
 3. DIMENSION DOES NOT INCLUDE MOLD FLASH OR PROTRUSIONS, EITHER OF WHICH SHALL NOT EXCEED 0.006[0.152] PER SIDE.

Rev. 03

MICREL-SYNERGY 3250 SCOTT BOULEVARD SANTA CLARA CA 95054 USA

TEL + 1 (408) 980-9191 FAX + 1 (408) 914-7878 WEB <http://www.micrel.com>

This information is believed to be accurate and reliable, however no responsibility is assumed by Micrel for its use nor for any infringement of patents or other rights of third parties resulting from its use. No license is granted by implication or otherwise under any patent or patent right of Micrel Inc.

© 2001 Micrel Incorporated