

# Gas Discharge Tube: GC6 Series



## 3-Electrode $\Phi 6.0 \times 8.0$ mm Type

### ■ Features

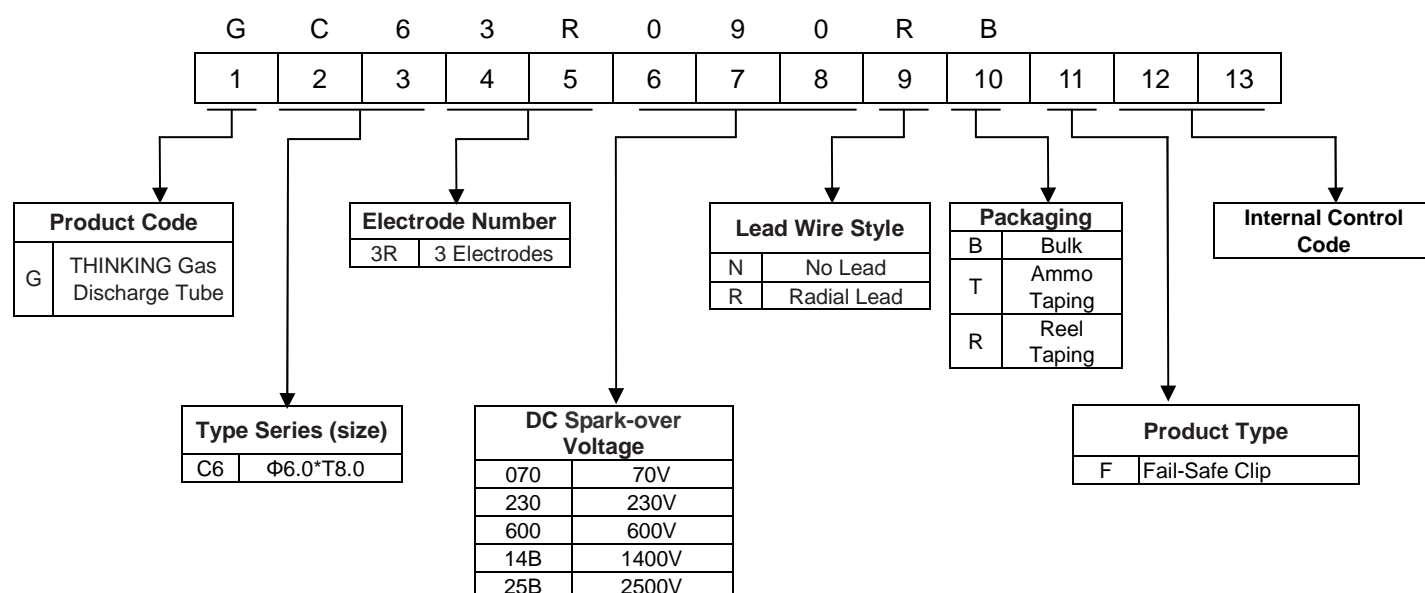
1. RoHS compliant
2. Rugged ceramic-metal construction
3. Available with or without leads
4. Available with fail-safe clip
5. DC spark-over voltage : 90~600V
6. Low capacitance
7. Agency recognition :UL



### ■ Recommended Applications

1. Data transmission lines
2. Communication lines
3. CATV system
4. Power distribution system
5. Power supplier
6. Test equipment
7. Instrumentation circuits

### ■ Part Number Code



# Gas Discharge Tube: GC6 Series



## 3-Electrode $\Phi 6.0 \times 8.0$ mm Type

### ■ Characteristics

Type	DC Breakdown Voltage	Max. Impulse Breakdown Voltage		Impulse Discharge Current (8/20 $\mu$ s)	Impulse Life (10/1000 $\mu$ s)	Normal Alternating Discharge Current	DC Holdover Voltage	Minimum Insulation Resistance	Maximum Capacitance (1MHz)	Safety Approvals
	(100V/S)	100V/ $\mu$ s	1KV/ $\mu$ s	10 times	200 A	50Hz, 1Sec	<150ms			
	(V)	(V)	(V)	(KA)	Times	(A)	(V)			
GC63R090□□(F)	90 $\pm$ 20%	750	850	5	100	5	52	1	2	√
GC63R145□□(F)	145 $\pm$ 20%	750	850	5		5	52			√
GC63R200□□(F)	200 $\pm$ 20%	600	700	10		10	135			√
GC63R230□□(F)	230 $\pm$ 20%	600	700	10		10	135			√
GC63R250□□(F)	250 $\pm$ 20%	600	700	10		10	135			√
GC63R350□□(F)	350 $\pm$ 20%	650	750	5		5	150			√
GC63R400□□(F)	400 $\pm$ 20%	700	800	5		5	150			√
GC63R420□□(F)	420 $\pm$ 20%	700	800	5		5	150			√
GC63R470□□(F)	470 $\pm$ 20%	800	900	5		5	150			√
GC63R600□□(F)	600 $\pm$ 20%	900	1000	5		5	150			√

Note1 : The first □ is the style of lead wire, and the second □ is packaging

Note2 : F = with fail-safe clip for optional.

Note 3: UL / 497B → File No. E245070

Note 4: Insulation resistance test conditions:

DC Breakdown Voltage	DC Measuring Voltage
90V	50V
145-400V	100V
420-600V	250V

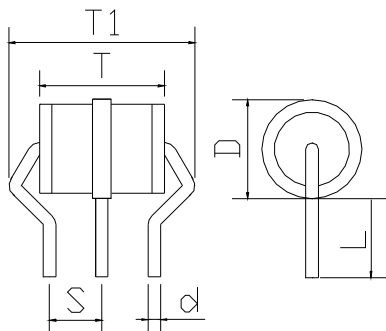
# Gas Discharge Tube: GC6 Series



## 3-Electrode $\Phi 6.0 \times 8.0$ mm Type

### ■ Dimensions

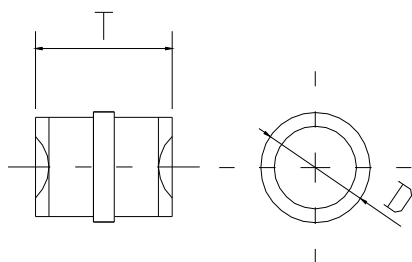
□= R (Radial lead type)



Unit: mm

Item	Dimensions	
	Spec.	Tolerance
D	6.0	+0.2/-0.5
T	8.5	$\pm 0.5$
T1	11.5	+0.8/-0.5
L	7.5	$\pm 0.5$
S	3.8	$\pm 0.3$
d	0.8	$\pm 0.05$

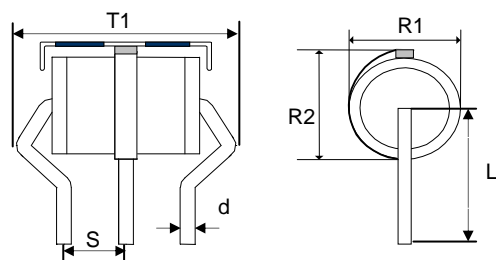
□= N (No lead type)



Unit: mm

Item	Dimensions	
	Spec.	Tolerance
D	6.0	+0.2/-0.5
T	8.5	$\pm 0.5$

□= F (Fail-Safe Device)



Unit: mm

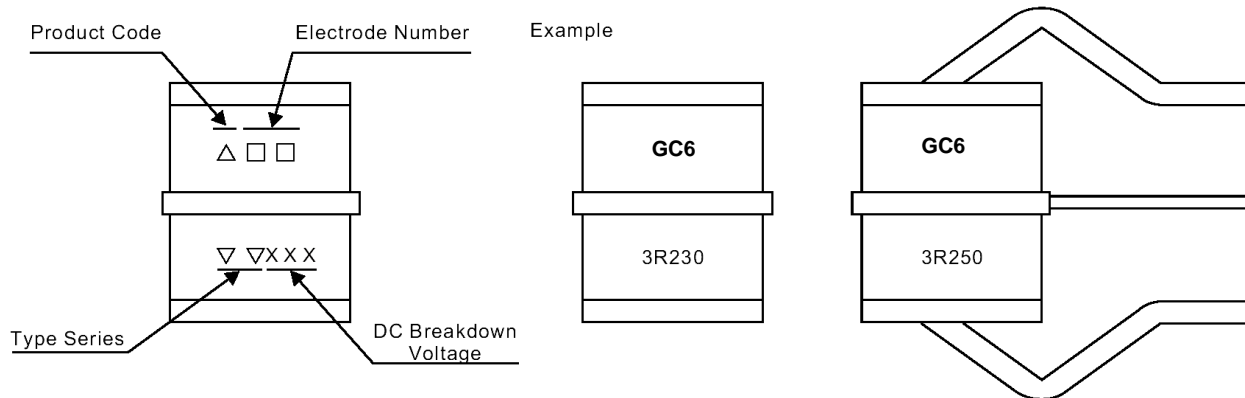
Item	Dimensions	
	Spec.	Tolerance
R1	6.3	$\pm 0.3$
R2	7.6	$\pm 0.4$
T1	13.4	$\pm 0.4$
L	11.0	$\pm 0.5$
S	4.4	$\pm 0.3$
d	1.0	$\pm 0.05$

# Gas Discharge Tube: GC6 Series



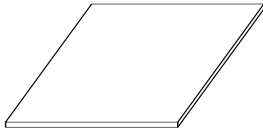
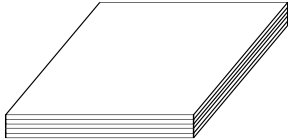
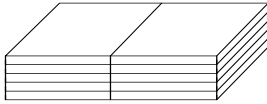
## 3-Electrode $\Phi 6.0 \times 8.0$ mm Type

### ■ Marking



### ■ Packaging

#### ● Bulk

Plastic Tray (210x220x12mm)	Inner Box (210x225x60mm)	Outside Box (450x245x345mm)
		
100 PCS/Plastic tray	500 PCS/Box	5000 PCS/Carton

### ■ Storage Condition of GDT

(I) Storage conditions:

1. Storage Temperature:  $-10^{\circ}\text{C} \sim +40^{\circ}\text{C}$ .
2. Relative humidity:  $\leq 75\% \text{RH}$ .
3. Gas discharge tube must be kept away from sunlight and stored in a non-corrosive atmosphere.

(II) Shelf life: 1 year.