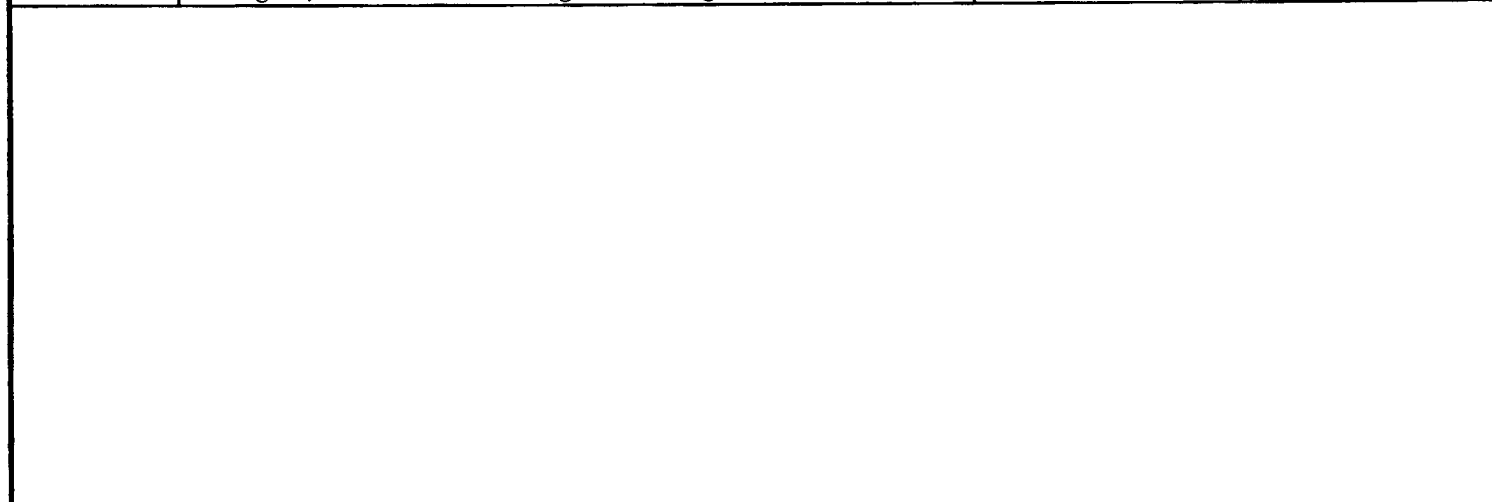


**REVISIONS**

LTR	DESCRIPTION	DATE (YR-MO-DA)	APPROVED
B	Redrawn with changes. Converted drawing to one part-one part number SMD format. Corrected art work for Y and Z packages.	92-11-16	M. A. Frye
C	Redrawn with changes. Added devices 03 and 04. Changes to paragraph 4.2.1. Changes to table I and table IIA. Changed the max lead thickness on case outline Z.	93-09-10	M. A. Frye
D	Added case outlines U and T. Made format changes, editorial changes throughout.	94-01-27	M. A. Frye



REV	D	D	D	D	D															
SHEET	35	36	37	38	39															
REV	D	D	D	D	D	D	D	D	D	D	D	D	D	D	D	D	D	D	D	D
SHEET	15	16	17	18	19	20	21	22	23	24	25	26	27	28	29	30	31	32	33	34
REV STATUS OF SHEETS		REV			D	D	D	D	D	D	D	D	D	D	D	D	D	D	D	D
		SHEET			1	2	3	4	5	6	7	8	9	10	11	12	13	14		

<p>PMIC N/A</p> <p align="center"><b>STANDARDIZED MILITARY DRAWING</b></p> <p>THIS DRAWING IS AVAILABLE FOR USE BY ALL DEPARTMENTS AND AGENCIES OF THE DEPARTMENT OF DEFENSE</p> <p>AHSC N/A</p>	<p>PREPARED BY</p> <p align="center">Kenneth Rice</p>	<p align="center"><b>DEFENSE ELECTRONICS SUPPLY CENTER</b> DAYTON, OHIO 45444</p>	
	<p>CHECKED BY</p> <p align="center">Rajesh Pithadia</p>		
	<p>APPROVED BY</p> <p align="center">Mike Frye</p>	<p align="center">MICROCIRCUIT, MEMORY, DIGITAL, CMOS 9000 GATE PROGRAMMABLE LOGIC ARRAY, MONOLITHIC SILICON</p>	
	<p>DRAWING APPROVAL DATE</p> <p align="center">91-11-08</p>		
	<p>REVISION LEVEL</p> <p align="center">D</p>		
		<p>SHEET</p> <p align="center">1</p>	<p>OF</p> <p align="center">39</p>

DESC FORM 193  
JUL 91

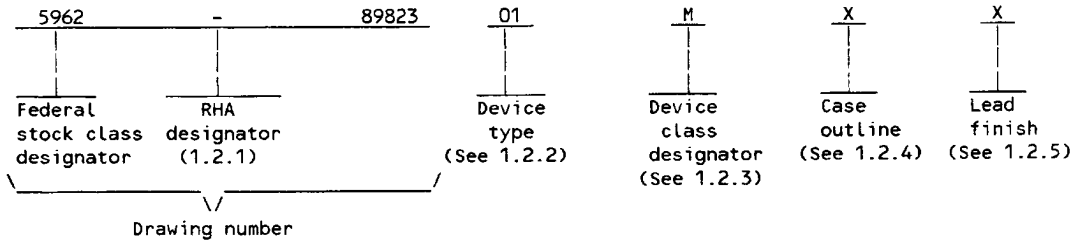
5962-E061-94

DISTRIBUTION STATEMENT A. Approved for public release; distribution is unlimited.

1. SCOPE

1.1 Scope. This drawing forms a part of a one part - one part number documentation system (see 6.6 herein). Two product assurance classes consisting of military high reliability (device classes Q and M) and space application (device class V), and a choice of case outlines and lead finishes are available and are reflected in the Part or Identifying Number (PIN). Device class M microcircuits represent non-JAN class B microcircuits in accordance with 1.2.1 of MIL-STD-883, "Provisions for the use of MIL-STD-883 in conjunction with compliant non-JAN devices". When available, a choice of Radiation Hardness Assurance (RHA) Levels are reflected in the PIN.

1.2 PIN. The PIN shall be as shown in the following example:



1.2.1 RHA designator. Device class M RHA marked devices shall meet the MIL-I-38535 appendix A specified RHA levels and shall be marked with the appropriate RHA designator. Device classes Q and V RHA marked devices shall meet the MIL-I-38535 specified RHA levels and shall be marked with the appropriate RHA designator. A dash (-) indicates a non-RHA device.

1.2.2 Device type(s). The device type(s) shall identify the circuit function as follows:

Device type	Generic number	Circuit function	Toggle Speed
01	3090-50	16x20 9000 gate programmable array	50 MHz
02	3090-70	16x20 9000 gate programmable array	70 MHz
03	3090-100	16x20 9000 gate programmable array	100 MHz
04	3090-125	16x20 9000 gate programmable array	125 MHz

1.2.3 Device class designator. The device class designator shall be a single letter identifying the product assurance level as follows:

Device class	Device requirements documentation
M	Vendor self-certification to the requirements for non-JAN class B microcircuits in accordance with 1.2.1 of MIL-STD-883
Q or V	Certification and qualification to MIL-I-38535

1.2.4 Case outline(s). The case outlines shall be as designated in MIL-STD-1835 and as follows:

Outline letter	Descriptive designator	Terminals	Package style
X	CMGAB-PN	175 1/	Pin grid array package
Y	See figure 1	164	Quad flat package
Z	See figure 1	164	Quad flat package
U	See figure 1	164	Quad flat package
T	See figure 1	164	Quad flat package

1.2.5 Lead finish. The lead finish shall be as specified in MIL-STD-883 (see 3.1 herein) for class M or MIL-I-38535 for classes Q and V. Finish letter "X" shall not be marked on the microcircuit or its packaging. The "X" designation is for use in specifications when lead finishes A, B, and C are considered acceptable and interchangeable without preference.

1/ 175 = actual number of pins used, not maximum listed in MIL-STD-1835

<b>STANDARDIZED MILITARY DRAWING DEFENSE ELECTRONICS SUPPLY CENTER DAYTON, OHIO 45444</b>	<b>SIZE A</b>	<b>5962-89823</b>
	<b>REVISION LEVEL D</b>	<b>SHEET 2</b>

1.3 Absolute maximum ratings. 2/

Supply voltage range to ground potential ( $V_{CC}$ )	- - - - -	-0.5 V dc to +7.0 V dc
DC input voltage range	- - - - -	-0.5 V dc to $V_{CC}$ +0.5 V dc
Voltage applied to three-state output ( $V_{TS}$ )	- - - - -	-0.5 V dc to $V_{CC}$ +0.5 V dc
Lead temperature (soldering, 10 seconds)	- - - - -	+260°C
Thermal resistance, junction-to-case ( $\theta_{JC}$ ):		
Case outline X	- - - - -	See MIL-STD-1835
Case outlines Y, Z, U, T	- - - - -	20°C/W 3/
Junction temperature ( $T_J$ )	- - - - -	+150°C 4/
Storage temperature range	- - - - -	-65°C to +150°C

1.4 Recommended operating conditions. 5/

Case operating temperature Range ( $T_C$ )	- - - - -	-55°C to +125°C
Supply voltage relative to ground ( $V_{CC}$ )	- - - - -	+4.5 V dc minimum to +5.5 V dc maximum
Ground voltage (GND)	- - - - -	0 V dc

1.5 Digital logic testing for device classes Q and V.

Fault coverage measurement of manufacturing logic tests (MIL-STD-883, test method 5012)	- - - - -	95 percent
---	-----------	------------

2. APPLICABLE DOCUMENTS

2.1 Government specifications, standards, bulletin, and handbook. Unless otherwise specified, the following specifications, standards, bulletin, and handbook of the issue listed in that issue of the Department of Defense Index of Specifications and Standards specified in the solicitation, form a part of this drawing to the extent specified herein.

SPECIFICATIONS

MILITARY

MIL-I-38535 - Integrated Circuits, Manufacturing, General Specification for.

STANDARDS

MILITARY

MIL-STD-883 - Test Methods and Procedures for Microelectronics.  
MIL-STD-973 - Configuration Management.  
MIL-STD-1835 - Microcircuit Case Outlines.

BULLETIN

MILITARY

MIL-BUL-103 - List of Standardized Military Drawings (SMD's).

HANDBOOK

MILITARY

MIL-HDBK-780 - Standardized Military Drawings.

(Copies of the specifications, standards, bulletin, and handbook required by manufacturers in connection with specific acquisition functions should be obtained from the contracting activity or as directed by the contracting activity.)

- 2/ Stresses above the absolute maximum rating may cause permanent damage to the device. Extended operation at the maximum levels may degrade performance and affect reliability.
- 3/ When a thermal resistance for this case is specified in MIL-STD-1835 that value shall supersede the value indicated herein.
- 4/ Maximum junction temperature shall not be exceeded except for allowable short duration burn-in screening conditions in accordance with method 5004 of MIL-STD-883.
- 5/ All voltage values in this drawing are with respect to  $V_{SS}$ .

<b>STANDARDIZED  MILITARY DRAWING  DEFENSE ELECTRONICS SUPPLY CENTER  DAYTON, OHIO 45444</b>	<b>SIZE  A</b>		<b>5962-89823</b>
		<b>REVISION LEVEL  D</b>	<b>SHEET  3</b>

DESC FORM 193A  
JUL 91

2.2 Non-Government publications. The following documents form a part of this document to the extent specified herein. Unless otherwise specified, the issues of the documents which are DoD adopted are those listed in the issue of the DODISS cited in the solicitation. Unless otherwise specified, the issues of documents not listed in the DODISS are the issues of the documents cited in the solicitation.

AMERICAN SOCIETY FOR TESTING AND MATERIALS (ASTM)

ASTM Standard F1192-88 - Standard Guide for the Measurement of Single Event Phenomena from Heavy Ion Irradiation of Semiconductor Devices.

(Applications for copies of ASTM publications should be addressed to the American Society for Testing and Materials, 1916 Race Street, Philadelphia, PA 19103.)

ELECTRONICS INDUSTRIES ASSOCIATION (EIA)

JEDEC Standard No. 17 - A Standardized Test Procedure for the Characterization of Latch-up in CMOS Integrated Circuits.

(Applications for copies should be addressed to the Electronics Industries Association, 2001 Pennsylvania Street, N.W., Washington, DC 20006.)

(Non-Government standards and other publications are normally available from the organizations that prepare or distribute the documents. These documents also may be available in or through libraries or other informational services.)

2.2 Order of precedence. In the event of a conflict between the text of this drawing and the references cited herein, the text of this drawing shall take precedence.

3. REQUIREMENTS

3.1 Item requirements. The individual item requirements for device class M shall be in accordance with 1.2.1 of MIL-STD-883, "Provisions for the use of MIL-STD-883 in conjunction with compliant non-JAN devices" and as specified herein. The individual item requirements for device classes Q and V shall be in accordance with MIL-I-38535, the device manufacturer's Quality Management (QM) plan, and as specified herein.

3.2 Design, construction, and physical dimensions. The design, construction, and physical dimensions shall be as specified in MIL-STD-883 (see 3.1 herein) for device class M and MIL-I-38535 for device classes Q and V and herein.

3.2.1 Case outline(s). The case outline(s) shall be in accordance with figure 1 and 1.2.4 herein.

3.2.2 Terminal connections. The terminal connections shall be as specified on figure 2.

3.2.3 Logic block diagram. The logic block diagram shall be as specified in figure 3.

3.3 Electrical performance characteristics and postirradiation parameter limits. Unless otherwise specified herein, the electrical performance characteristics and postirradiation parameter limits are as specified in table I and shall apply over the full case operating temperature range.

3.4 Electrical test requirements. The electrical test requirements shall be the subgroups specified in table IIA. The electrical tests for each subgroup are defined in table I.

3.5 Marking. The part shall be marked with the PIN listed in 1.2 herein. Marking for device class M shall be in accordance with MIL-STD-883 (see 3.1 herein). In addition, the manufacturer's PIN may also be marked as listed in MIL-BUL-103. Marking for device classes Q and V shall be in accordance with MIL-I-38535.

3.5.1 Certification/compliance mark. The compliance mark for device class M shall be a "C" as required in MIL-STD-883 (see 3.1 herein). The certification mark for device classes Q and V shall be a "QML" or "Q" as required in MIL-I-38535.

3.6 Certificate of compliance. For device class M, a certificate of compliance shall be required from a manufacturer in order to be listed as an approved source of supply in MIL-BUL-103 (see 6.8.2 herein). For device classes Q and V, a certificate of compliance shall be required from a QML-38535 listed manufacturer in order to supply to the requirements of this drawing (see 6.8.1 herein). The certificate of compliance submitted to DESC-EC prior to listing as an approved source of supply for this drawing shall affirm that the manufacturer's product meets, for device class M, the requirements of MIL-STD-883 (see 3.1 herein), or for device classes Q and V, the requirements of MIL-I-38535 and the requirements herein.

<b>STANDARDIZED MILITARY DRAWING DEFENSE ELECTRONICS SUPPLY CENTER DAYTON, OHIO 45444</b>	<b>SIZE A</b>		<b>5962-89823</b>
		<b>REVISION LEVEL D</b>	<b>SHEET 4</b>

DESC FORM 193A  
JUL 91

3.7 Certificate of conformance. A certificate of conformance as required for device class M in MIL-STD-883 (see 3.1 herein) or for device classes Q and V in MIL-I-38535 shall be provided with each lot of microcircuits delivered to this drawing.

3.8 Notification of change for device class M. For device class M, notification to DESC-EC of change of product (see 6.2 herein) involving devices acquired to this drawing is required for any change as defined in MIL-STD-973.

3.9 Verification and review for device class M. For device class M, DESC, DESC's agent, and the acquiring activity retain the option to review the manufacturer's facility and applicable required documentation. Offshore documentation shall be made available onshore at the option of the reviewer.

3.10 Microcircuit group assignment for device class M. Device class M devices covered by this drawing shall be in microcircuit group number 42 (see MIL-I-38535, appendix A).

3.11 Operational notes. Additional information shall be provided by the device manufacturer (see 6.7 herein).

4. QUALITY ASSURANCE PROVISIONS

4.1 Sampling and inspection. For device class M, sampling and inspection procedures shall be in accordance with MIL-STD-883 (see 3.1 herein). For device classes Q and V, sampling and inspection procedures shall be in accordance with MIL-I-38535 and the device manufacturer's QM plan.

4.2 Screening. For device class M, screening shall be in accordance with method 5004 of MIL-STD-883, and shall be conducted on all devices prior to quality conformance inspection. For device classes Q and V, screening shall be in accordance with MIL-I-38535, and shall be conducted on all devices prior to qualification and technology conformance inspection.

4.2.1 Additional criteria for device classes M.

- a. Delete the sequence specified as initial (pre-burn-in) electrical parameters through interim (post-burn-in) electrical parameters of method 5004 and substitute lines 1 through 6 of table IIA herein.
- b. For device class M, the test circuit shall be maintained by the manufacturer under document revision level control and shall be made available to the preparing or acquiring activity upon request. For device class M the test circuit shall specify the inputs, outputs, biases, and power dissipation, as applicable, in accordance with the intent specified in test method 1015.
- c. Interim and final electrical test parameters shall be as specified in table IIA herein.

4.2.2 Additional criteria for device classes Q and V.

- a. The burn-in test duration, test condition and test temperature or approved alternatives shall be as specified in the device manufacturer's QM plan in accordance with MIL-I-38535. The burn-in test circuit shall be maintained under document revision level control of the device manufacturer's Technology Review Board (TRB) in accordance with MIL-I-38535 and shall be made available to the acquiring or preparing activity upon request. The test circuit shall specify the inputs, outputs, biases, and power dissipation, as applicable, in accordance with the intent specified in test method 1015.
- b. Interim and final electrical test parameters shall be as specified in table IIA herein.
- c. Additional screening for device class V beyond the requirements of device class Q shall be as specified in appendix B of MIL-I-38535.

4.3 Qualification inspection for device classes Q and V. Qualification inspection for device classes Q and V shall be in accordance with MIL-I-38535. Inspections to be performed shall be those specified in MIL-I-38535 and herein for groups A, B, C, D, and E inspections (see 4.4.1 through 4.4.4).

4.4 Conformance inspection. Quality conformance inspection for device class M shall be in accordance with MIL-STD-883 (see 3.1 herein) and as specified herein. Inspections to be performed for device class M shall be those specified in method 5005 of MIL-STD-883 and herein for groups A, B, C, D, and E inspections (see 4.4.1 through 4.4.4). Technology conformance inspection for classes Q and V shall be in accordance with MIL-I-38535 including groups A, B, C, D, and E inspections and as specified herein except where option 2 of MIL-I-38535 permits alternate in-line control testing.

<b>STANDARDIZED MILITARY DRAWING DEFENSE ELECTRONICS SUPPLY CENTER DAYTON, OHIO 45444</b>	<b>SIZE A</b>		<b>5962-89823</b>
		<b>REVISION LEVEL D</b>	<b>SHEET 5</b>

DESC FORM 193A  
JUL 91

4.4.1 Group A inspection.

- a. Tests shall be as specified in table IIA herein.
- b. Subgroups 5 and 6 of table I of method 5005 of MIL-STD-883 shall be omitted.
- c. For device class M subgroups 7, 8A and 8B tests shall consist of verifying functionality of the device. These tests form a part of the vendors test tape and shall be maintained and available upon request. For device classes Q and V subgroups 7, 8A and 8B shall include verifying the functionality of the device; these tests shall have been fault graded in accordance with MIL-STD-883, test method 5012 (see 1.5 herein).
- d. O/V (latch-up) tests shall be measured only for initial qualification and after any design or process changes which may affect the performance of the device. For device class M procedures and circuits shall be maintained under document revision level control by the manufacturer and shall be made available to the preparing activity or acquiring activity upon request. For device classes Q and V, the procedures and circuits shall be under the control of the device manufacturer's technical review board (TRB) in accordance with MIL-I-38535 and shall be made available to the preparing activity or acquiring activity upon request. Testing shall be on all pins, on 5 devices with zero failures. Latch-up test shall be considered destructive. Information contained in JEDEC standard number 17 may be used for reference.
- e. Subgroup 4 ( $C_{IN}$  and  $C_{OUT}$  measurements) shall be measured only for initial qualification and after any process or design changes which may affect input or output capacitance. Capacitance shall be measured between the designated terminal and GND at a frequency of 1 MHz. Sample size is five devices with no failures, and all input and output terminals tested.

4.4.2 Group C inspection. The group C inspection end-point electrical parameters shall be as specified in table IIA herein. Delta limits shall apply only to subgroup 1 of group C inspection and shall consist of tests specified in table IIB herein.

4.4.2.1 Additional criteria for device class M. Steady-state life test conditions, method 1005 of MIL-STD-883:

- a. Test condition D. For device class M, the test circuit shall be maintained by the manufacturer under document revision level control and shall be made available to the preparing or acquiring activity upon request. For device classes M the test circuit shall specify the inputs, outputs, biases, and power dissipation, as applicable, in accordance with the intent specified in test method 1005.
- b.  $T_A = +125^{\circ}\text{C}$ , minimum.
- c. Test duration: 1,000 hours, except as permitted by method 1005 of MIL-STD-883.

4.4.2.2 Additional criteria for device classes Q and V. The steady-state life test duration, test condition and test temperature, or approved alternatives shall be as specified in the device manufacturer's QM plan in accordance with MIL-I-38535. The test circuit shall be maintained under document revision level control by the device manufacturer's TRB in accordance with MIL-I-38535 and shall be made available to the acquiring or preparing activity upon request. The test circuit shall specify the inputs, outputs, biases, and power dissipation, as applicable, in accordance with the intent specified in test method 1005.

<b>STANDARDIZED MILITARY DRAWING DEFENSE ELECTRONICS SUPPLY CENTER DAYTON, OHIO 45444</b>	<b>SIZE A</b>		<b>5962-89823</b>
		<b>REVISION LEVEL D</b>	<b>SHEET 6</b>

DESC FORM 193A  
JUL 91

TABLE I. Electrical performance characteristics.

Test	Symbol	Conditions 4.5 V ≤ V <sub>CC</sub> ≤ 5.5 V -55°C ≤ T <sub>C</sub> ≤ +125°C unless otherwise specified	Group A Subgroups	Device type	Limits		Unit
					Min	Max	
High Level output voltage	V <sub>OH</sub>	V <sub>CC</sub> = 4.5 V, V <sub>IL</sub> = 0.8V I <sub>OH</sub> = -4.0 mA, V <sub>IH</sub> = 2.0 V	1,2,3	All	3.7		V
		V <sub>CC</sub> = 4.5 V and 5.5 V V <sub>IL</sub> = 0.9 V and 1.1 V V <sub>IH</sub> = 3.5 V and 3.85 V I <sub>OH</sub> = -4.0 mA					
Low level output voltage	V <sub>OL</sub>	V <sub>CC</sub> = 5.5 V, I <sub>OL</sub> = 4.0V V <sub>IL</sub> = 0.8 V, V <sub>IH</sub> = 2.0 V	1,2,3	All		0.4	V
		V <sub>CC</sub> = 4.5 V and 5.5 V V <sub>IL</sub> = 0.9 V and 1.1 V V <sub>IH</sub> = 3.5 V and 3.85 V I <sub>OH</sub> = 4.0 mA					
Operating power supply current	I <sub>CC</sub>	V <sub>CC</sub> = 5.5 V 1/	1,2,3	01		245	mA
				02		250	
				03		260	
				04		270	
Quiescent power supply current	I <sub>CCO</sub>	CMOS inputs, V <sub>CC</sub> = V <sub>IN</sub> = 5.5 V	1,2,3	All		3.0	mA
Quiescent power supply current	I <sub>CCO</sub>	TTL inputs, V <sub>CC</sub> = V <sub>IN</sub> = 5.5 V	1,2,3	All		15	mA
Power-down supply current	I <sub>CCPD</sub>	PWR DWN = 0.0 V, V <sub>CC</sub> = V <sub>IN</sub> = 5.5 V	1,2,3	All		2.5	mA
Input Leakage current	I <sub>IL</sub>	V <sub>CC</sub> = 5.5 V, V <sub>IN</sub> = 0 V and 5.5 V	1,2,3	All	-20	20	uA
Output Leakage current	I <sub>OL</sub>	V <sub>CC</sub> = 5.5 V, V <sub>IN</sub> = 0 V and 5.5 V	1,2,3	All	-20	20	uA

See footnote at end of table.

<b>STANDARDIZED MILITARY DRAWING DEFENSE ELECTRONICS SUPPLY CENTER DAYTON, OHIO 45444</b>	<b>SIZE A</b>		<b>5962-89823</b>
		<b>REVISION LEVEL D</b>	<b>SHEET 7</b>

DESC FORM 193A  
JUL 91

TABLE I. Electrical performance characteristics - Continued.

Test	Symbol	Conditions 4.5 V ≤ V <sub>CC</sub> ≤ 5.5 V -55°C ≤ T <sub>C</sub> ≤ +125°C unless otherwise specified	Group A Subgroups	Device type	Limits		Unit
					Min	Max	
Horizontal long line, pull-up current	I <sub>RLL</sub>	V <sub>CC</sub> = 5.5 V, V <sub>IN</sub> = 0 V and 5.5 V	1,2,3	ALL		2.5	mA
High level input voltage	V <sub>IHT</sub>	TTL inputs	1,2,3	ALL	2.0		V
Low level input voltage	V <sub>ILT</sub>	TTL inputs	1,2,3	ALL		0.8	V
High level input voltage	V <sub>IHC</sub>	CMOS inputs	1,2,3	ALL	0.7 V <sub>CC</sub>		V
Low level input voltage	V <sub>ILC</sub>	CMOS inputs	1,2,3	ALL		0.2 V <sub>CC</sub>	V
Power down (PWR DWN)voltage <u>2</u> /	V <sub>PD</sub>	PWR DWN = 0.0 V	1,2,3	ALL	3.5		V
Input capacitance except XTL1 AND XTL2	C <sub>IN</sub>	See 4.4.1e	4	ALL		15	pF
Input capacitance XTL1 and XTL2	C <sub>IN</sub>	See 4.4.1e	4	ALL		20	pF
Output capacitance	C <sub>OUT</sub>	See 4.4.1e	4	ALL		15	pF
Functional test		See 4.4.1c	7,8A,8B	ALL			
Interconnect + t <sub>PID</sub> + 20(t <sub>ILO</sub> ) + t <sub>OP</sub>	t <sub>B1</sub>	Measured on 20 columns	9,10,11	01		304	ns
				02		195	
				03		150	
				04		118	
t <sub>CKO</sub> + t <sub>ICK</sub> + t <sub>CKI</sub> + interconnect	t <sub>B2</sub>	Tested on all CLB's	9,10,11	01		32	ns
				02		21	
				03		18	
				04		15	

See footnotes at end of table

<b>STANDARDIZED MILITARY DRAWING DEFENSE ELECTRONICS SUPPLY CENTER DAYTON, OHIO 45444</b>	<b>SIZE A</b>		<b>5962-89823</b>
		<b>REVISION LEVEL D</b>	<b>SHEET 8</b>

DESC FORM 193A  
JUL 91



TABLE I. Electrical performance characteristics - Continued.

Test	Symbol	Conditions 4.5 V ≤ V <sub>CC</sub> ≤ 5.5 V -55°C ≤ T <sub>C</sub> ≤ +125°C unless otherwise specified	Group A Subgroups	Device type	Limits		Unit
					Min	Max	
t <sub>CKO</sub> + t <sub>QLO</sub> + t <sub>ILO</sub> + t <sub>DICK</sub> + interconnect	t <sub>B3</sub>	Tested on all CLB's	9,10,11	01		53	ns
				02		34	
				03		26	
				04		22	
t <sub>ILO</sub> + t <sub>ECCK</sub> + interconnect	t <sub>B4</sub>	Tested on all CLB's	9,10,11	01		35	ns
				02		23	
				03		19	
				04		17	
t <sub>CKPO</sub> + t <sub>OPS</sub> - t <sub>OPF</sub> + t <sub>PICK</sub>	t <sub>B5</sub>	Tested on all CLB's	9,10,11	01		73	ns
				02		53	
				03		44	
				04		40	
Interconnect + t <sub>CKO</sub> + t <sub>QLO</sub> + t <sub>PUS</sub> + t <sub>ICK</sub>	t <sub>B6</sub>	One long line pull-up	9,10,11	01		73	ns
				02		48	
				03		44	
				04		37	
Interconnect + t <sub>CKO</sub> + t <sub>QLO</sub> + t <sub>PUS</sub> + t <sub>ICK</sub>	t <sub>B7</sub>	Other long line pull-up	9,10,11	01		83	ns
				02		55	
				03		49	
				04		40	
Interconnect + t <sub>CKO</sub> + t <sub>QLO</sub> + t <sub>IO</sub> + t <sub>ICK</sub>	t <sub>B8</sub>	No pull-up, lower long lines	9,10,11	01		47	ns
				02		31	
				03		25	
				04		22	
Interconnect + t <sub>CKO</sub> + t <sub>QLO</sub> + t <sub>ICK</sub> + t <sub>IO</sub>	t <sub>B9</sub>	No pull-up, upper long lines	9,10,11	01		57	ns
				02		38	
				03		32	
				04		28	

See footnotes at end of table

<b>STANDARDIZED MILITARY DRAWING DEFENSE ELECTRONICS SUPPLY CENTER DAYTON, OHIO 45444</b>	<b>SIZE A</b>		<b>5962-89823</b>
		<b>REVISION LEVEL D</b>	<b>SHEET 9</b>

DESC FORM 193A  
JUL 91

TABLE I. Electrical performance characteristics - Continued.

Test	Symbol	Conditions 4.5 V ≤ V <sub>CC</sub> ≤ 5.5 V -55°C ≤ T <sub>C</sub> ≤ +125°C unless otherwise specified	Group A Subgroups	Device type	Limits		Unit
					Min	Max	
Logic input to output (combinational)	t <sub>ILO</sub>	See figures 4 and 5 as applicable	3/	01		14	ns
				02		9.0	
				03		7.0	
				04		5.5	
Reset input to output	t <sub>RIO</sub>		3/	01		15	ns
				02		8.0	
				03		7.0	
				04		6.0	
Reset direct width	t <sub>RPW</sub>		3/	01	12		ns
				02	8.0		
				03	7.0		
				04	6.0		
Master reset pin to CLB output (X, Y)	t <sub>MRQ</sub>		3/	01		40	ns
				02		34	
				03		31	
				04		30	
K clock input to CLB output	t <sub>CKO</sub>	3/	01		12	ns	
			02		8.0		
			03		6.0		
			04		5.0		
Clock K to the outputs X or Y when Q is return through function generators to drive X or Y	t <sub>QLO</sub>	3/	01		25	ns	
			02		13		
			03		10		
			04		8		
K clock logic-input setup	t <sub>ICK</sub>	3/	01	12		ns	
			02	8.0			
			03	7.0			
			04	5.5			

See footnotes at end of table

<b>STANDARDIZED MILITARY DRAWING DEFENSE ELECTRONICS SUPPLY CENTER DAYTON, OHIO 45444</b>	<b>SIZE A</b>		<b>5962-89823</b>
		<b>REVISION LEVEL D</b>	<b>SHEET 10</b>

DESC FORM 193A  
JUL 91

TABLE I. Electrical performance characteristics - Continued.

Test	Symbol	Conditions 4.5 V ≤ V <sub>CC</sub> ≤ 5.5 V -55°C ≤ T <sub>C</sub> ≤ +125°C unless otherwise specified	Group A Subgroups	Device type	Limits		Unit	
					Min	Max		
K clock logic-input hold	t <sub>CKI</sub>	See figures 4 and 5 as applicable	3/	All	1.0		ns	
Logic input setup to K clock	t <sub>DICK</sub>		3/	01	8.0		ns	
					02	5.0		
					03	4.0		
					04	3.0		
Logic input hold from K clock	t <sub>CKDI</sub>		3/	01	6.0		ns	
					02	4.0		
					03	2.0		
					04	1.5		
Logic input setup to enable clock	t <sub>ECCK</sub>		3/	01	10		ns	
		02			7.0			
		03			5.0			
		04			4.5			
Logic input hold to enable clock	t <sub>CKEC</sub>	3/	All	2.5		ns		
Clock (high) 4/ 5/	t <sub>CH</sub>	3/	01	9.0		ns		
				02	5.0			
				03	4.0			
				04	3.0			
Clock (low) 4/ 5/	t <sub>CL</sub>	3/	01	9.0		ns		
				02	5.0			
				03	4.0			
				04	3.0			
Pad (package pin) to input direct	t <sub>PID</sub>	3/	01		10.0	ns		
				02			6.0	
				03			4.0	
				04			3.0	

See footnotes at end of table

<b>STANDARDIZED MILITARY DRAWING DEFENSE ELECTRONICS SUPPLY CENTER DAYTON, OHIO 45444</b>	<b>SIZE A</b>		<b>5962-89823</b>
		<b>REVISION LEVEL D</b>	<b>SHEET 11</b>

DESC FORM 193A  
JUL 91

TABLE I. Electrical performance characteristics - Continued.

Test	Symbol	Conditions 4.5 V ≤ V <sub>CC</sub> ≤ 5.5 V -55°C ≤ T <sub>C</sub> ≤ +125°C unless otherwise specified	Group A Subgroups	Device type	Limits		Unit		
					Min	Max			
Fast (CMOS only) input pad through clock buffer to any CLB or IOB clock input	t <sub>PGCC</sub>	See figures 4 and 5 as applicable	3/	01		8.5	ns		
				02		6.5			
				03,04		6.0			
I/O clock to I/O RI input (FF)	t <sub>IKRI</sub>		See figures 4 and 5 as applicable	3/	01		11	ns	
					02		5.5		
					03		4.0		
					04		3.0		
I/O clock to pad-input setup	t <sub>PICK</sub>			See figures 4 and 5 as applicable	3/	01	30		ns
						02	20		
		03				17			
		04				16			
I/O clock to pad-input hold	t <sub>IKPI</sub>	See figures 4 and 5 as applicable			3/	All	1.0		ns
I/O clock to pad (fast)	t <sub>OKPO</sub>		3/		01		18	ns	
					02		13		
					03		10		
					04		9.0		
I/O clock to pad-output setup	t <sub>OOK</sub>		See figures 4 and 5 as applicable	3/	01	15		ns	
					02	10			
					03	9.0			
					04	8.0			
I/O clock to pad-output hold	t <sub>OKO</sub>	See figures 4 and 5 as applicable		3/	All	0		ns	
I/O clock (high) 5/	t <sub>IOH</sub>			3/	01	9.0		ns	
					02	5.0			
					03	4.0			
					04	3.0			

See footnotes at end of table

<b>STANDARDIZED MILITARY DRAWING DEFENSE ELECTRONICS SUPPLY CENTER DAYTON, OHIO 45444</b>	<b>SIZE A</b>		<b>5962-89823</b>
		<b>REVISION LEVEL D</b>	<b>SHEET 12</b>

DESC FORM 193A  
JUL 91

TABLE I. Electrical performance characteristics - Continued.

Test	Symbol	Conditions 4.5 V ≤ V <sub>CC</sub> ≤ 5.5 V -55°C ≤ T <sub>C</sub> ≤ +125°C unless otherwise specified	Group A Subgroups	Device type	Limits		Unit
					Min	Max	
I/O clock (low) $\underline{5}$ /	$t_{IOL}$	See figures 4 and 5 as applicable	$\underline{3}$ /	01	9.0		ns
				02	5.0		
				03	4.0		
				04	3.0		
Output (enabled fast) to pad	$t_{OPF}$		$\underline{3}$ /	01		15	ns
				02		9.0	
				03		6.0	
				04		5.0	
Output (enabled slow) to pad	$t_{OPS}$		$\underline{3}$ /	01		40	ns
				02		33	
				03		24	
				04		20	
Three-state to pad begin high impedance (fast)	$t_{TSHZ}$		$\underline{3}$ /	01		14	ns
				02		12	
				03		10	
				04		9.0	
Three-state to pad end high impedance (fast)	$t_{TSON}$		$\underline{3}$ /	01		20	ns
				02		14	
				03		12	
				04		11	
Master RESET to input RI	$t_{RRI}$		$\underline{3}$ /	01		37	ns
				02		33	
				03,04		27	
Master RESET to output (FF)	$t_{RPO}$		$\underline{3}$ /	01		55	ns
				02		47	
				03		34	
				04		32	
Bidirectional buffer delay	$t_{BIDI}$		$\underline{3}$ /	01		4.0	ns
				02		2.0	
				03		1.8	
				04		1.7	

See footnotes at end of table

<b>STANDARDIZED MILITARY DRAWING DEFENSE ELECTRONICS SUPPLY CENTER DAYTON, OHIO 45444</b>	<b>SIZE A</b>		<b>5962-89823</b>
		<b>REVISION LEVEL D</b>	<b>SHEET 13</b>

DESC FORM 193A  
JUL 91

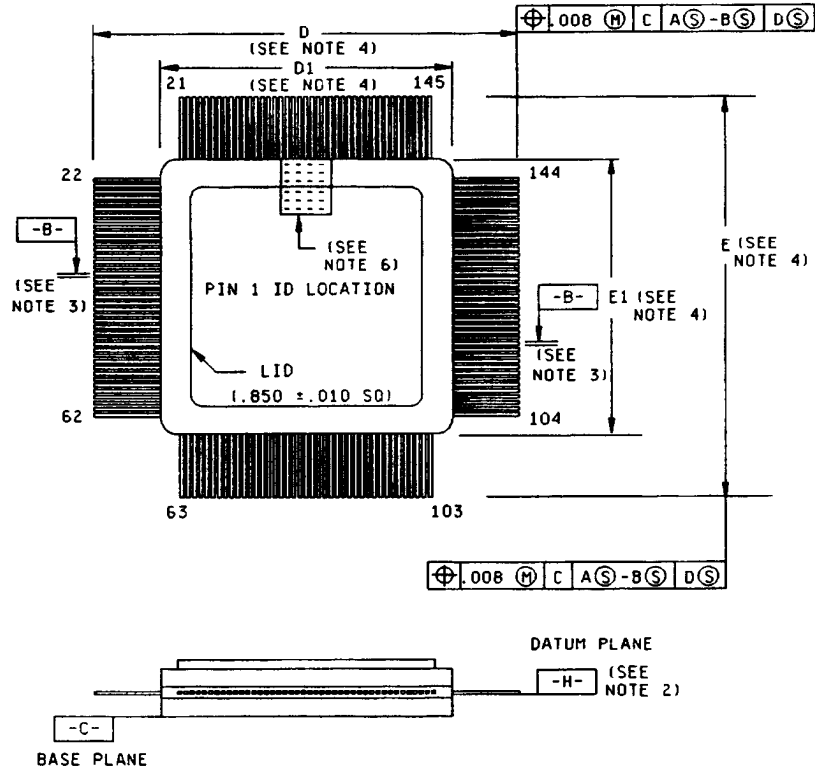
TABLE I. Electrical performance characteristics - Continued.

Test	Symbol	Conditions 4.5 V ≤ V <sub>CC</sub> ≤ 5.5 V -55°C ≤ T <sub>C</sub> ≤ +125°C unless otherwise specified	Group A Subgroups	Device type	Limits		Unit
					Min	Max	
TBUF data input to output	t <sub>IO</sub>	See figure figures 4 and 5 as applicable	3/	01		8.0	ns
				02		5.0	
				03		4.7	
				04		4.5	
TBUF three-state to output active and valid (single pull-up) double pull-up	t <sub>ON</sub>		3/	ALL		17	ns
						18	
TBUF three-state to output inactive (single pull-up)	t <sub>PUS</sub>		3/	01		46	ns
				02		38	
				03		26	
				04		26	
TBUF three-state to output inactive (pair of pull-ups)	t <sub>PUF</sub>		3/	01		22	ns
				02		19	
				03,04		17	

- 1/ Tested initially and after any design or process change that may affect this parameter and guaranteed to the limits specified in table I with the following conditions:  
 Global clock at 16MHz for device 01, and 25 MHz for devices 02, 03, and 04.  
 20 outputs at 5 MHz  
 50 outputs at 1 MHz  
 Alternate clock at 10 MHz  
 100 configurable logic blocks (CLB) at 5 MHz  
 150 CLBs at 1 MHz  
 20 horizontal long lines at 5 MHz  
 30 vertical long lines at 1 MHz  
 50 inputs at 5 MHz  
 10 inputs at 10 MHz
- 2/ PWRDWN transitions must occur during operational V<sub>CC</sub> levels.
- 3/ Parameter is not directly tested. Devices are first 100 percent functionally tested. Benchmark patterns (t<sub>B1-9</sub>) are then used to determine the compliance of this parameter. For class M only characterization data is taken at initial device testing, prior to the introduction of significant changes, and at least twice yearly to monitor correlation between benchmark patterns and this parameter.
- 4/ Minimum CLOCK widths for the auxiliary buffer are 1.25 times the t<sub>CH</sub> and t<sub>CL</sub>.
- 5/ These parameters are for clock pulses internal to the chip. Externally applied clock, increases value by 20 percent.

STANDARDIZED MILITARY DRAWING DEFENSE ELECTRONICS SUPPLY CENTER DAYTON, OHIO 45444	SIZE A		5962-89823
		REVISION LEVEL D	SHEET 14

DESC FORM 193A  
 JUL 91



PRINCIPAL DIMENSIONS AND DATUMS  
(LID SIDE UP - DIE FACING UP)

FIGURE 1. Case outline.

STANDARDIZED MILITARY DRAWING DEFENSE ELECTRONICS SUPPLY CENTER DAYTON, OHIO 45444	SIZE A		5962-89823
		REVISION LEVEL D	SHEET 15

Case Y

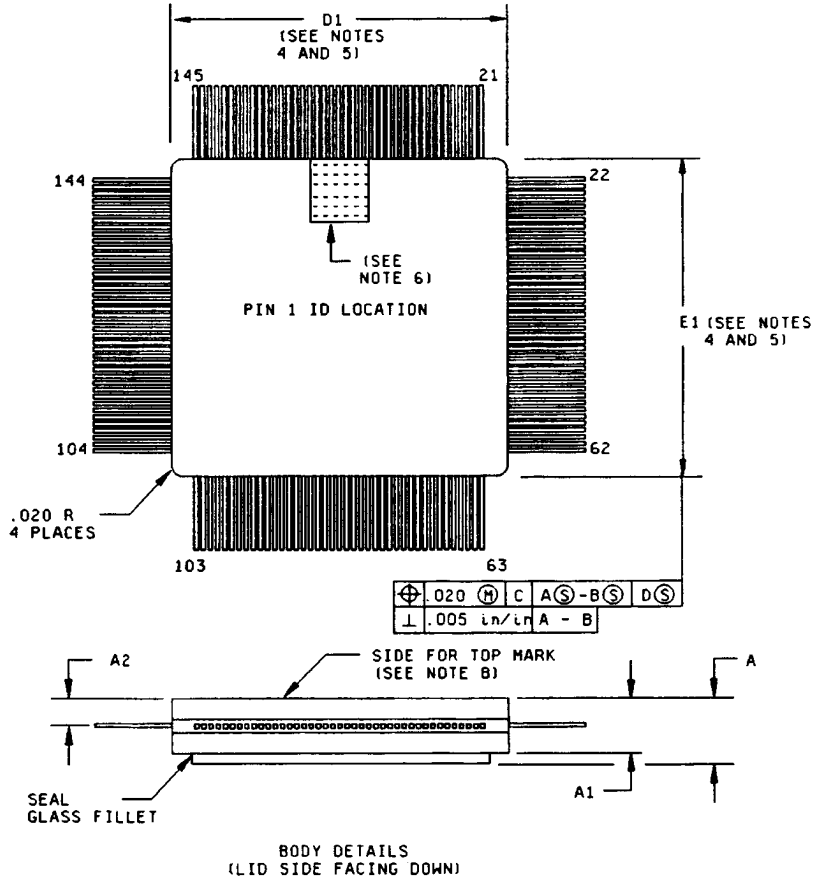


FIGURE 1. Case outline - Continued.

<p>STANDARDIZED MILITARY DRAWING DEFENSE ELECTRONICS SUPPLY CENTER DAYTON, OHIO 45444</p>	<p>SIZE A</p>		<p>5962-89823</p>
		<p>REVISION LEVEL D</p>	<p>SHEET 16</p>

DESC FORM 193A  
JUL 91



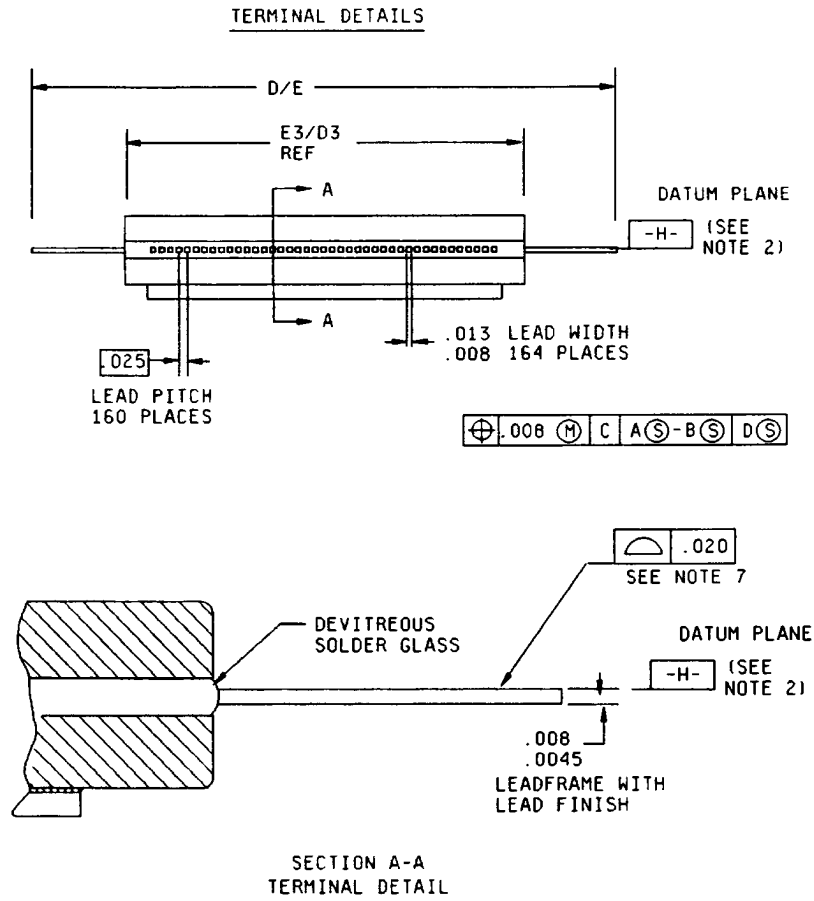


FIGURE 1. Case outline - Continued.

<b>STANDARDIZED MILITARY DRAWING DEFENSE ELECTRONICS SUPPLY CENTER DAYTON, OHIO 45444</b>	<b>SIZE A</b>		<b>5962-89823</b>
		<b>REVISION LEVEL D</b>	<b>SHEET 17</b>

Case Y

Symbol	Inches		Millimeters		Notes
	Min	Max	Min	Max	
A	.125	.145	3.18	3.68	
A1	.100	.120	2.54	3.05	
A2	.060	.070	1.52	1.78	
D	1.510	1.530	38.35	38.86	4
D1	1.060	1.100	26.92	27.94	4,5
D3	1.000	Ref.	25.40		
E	1.510	1.530	38.35	38.86	4
E1	1.060	1.100	26.92	27.94	4,5
E3	1.000	Ref.	25.40		

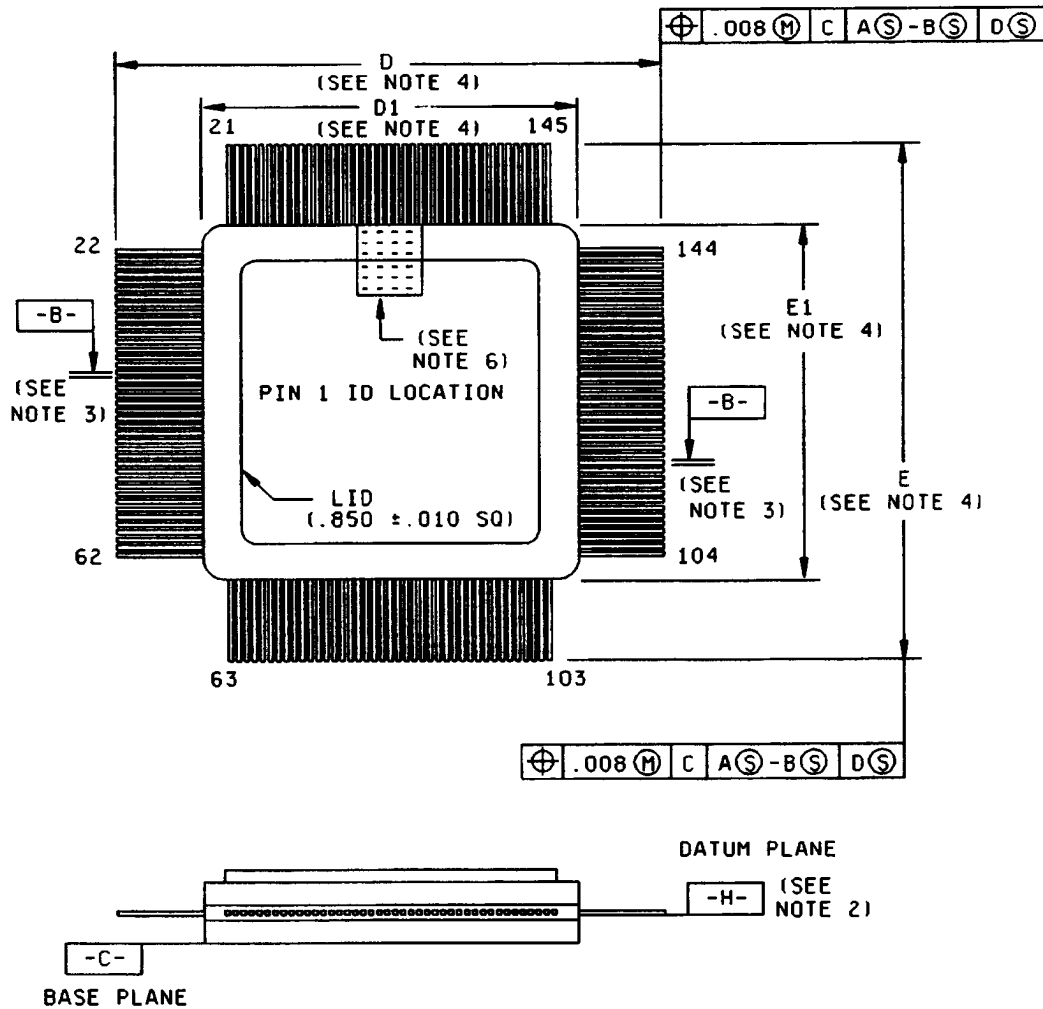
NOTES

1. The US government preferred system of measurement is the metric SI system. However, this item was originally designed using inch-pound units of measurement. In the event of conflict between the metric and inch-pound units, the inch-pound units shall take precedence.
2. Datum plane -H- is located at the underside of leads, where leads exit package body.
3. Datum A - B and -D- to be determined where center leads exit package body at datum -H-.
4. These dimensions are to be determined at the datum plane -H-.
5. Dimensions D1 and E1 define maximum ceramic body dimensions including glass protrusion and mismatch of ceramic body top and bottom.
6. Pin #1 identifier location. Pin #1 is the middle pin on the side with center justified. Identifier mark may be a notch, dot, or triangle.
7. Packages are shipped with uniformed leads
8. Top side mark location, product mark is located on the nonlid side of package; i.e., lid side facing down. When mounted in this position, the pin out is clockwise.

FIGURE 1. Case outline - Continued.

<b>STANDARDIZED MILITARY DRAWING DEFENSE ELECTRONICS SUPPLY CENTER DAYTON, OHIO 45444</b>	<b>SIZE A</b>		<b>5962-89823</b>
		<b>REVISION LEVEL D</b>	<b>SHEET 18</b>

DESC FORM 193A  
JUL 91



PRINCIPAL DIMENSIONS AND DATUMS  
(LID SIDE UP - DIE FACING UP)

FIGURE 1. Case outline - Continued.

STANDARDIZED MILITARY DRAWING DEFENSE ELECTRONICS SUPPLY CENTER DAYTON, OHIO 45444	SIZE A		5962-89823
		REVISION LEVEL D	SHEET 19

Case U

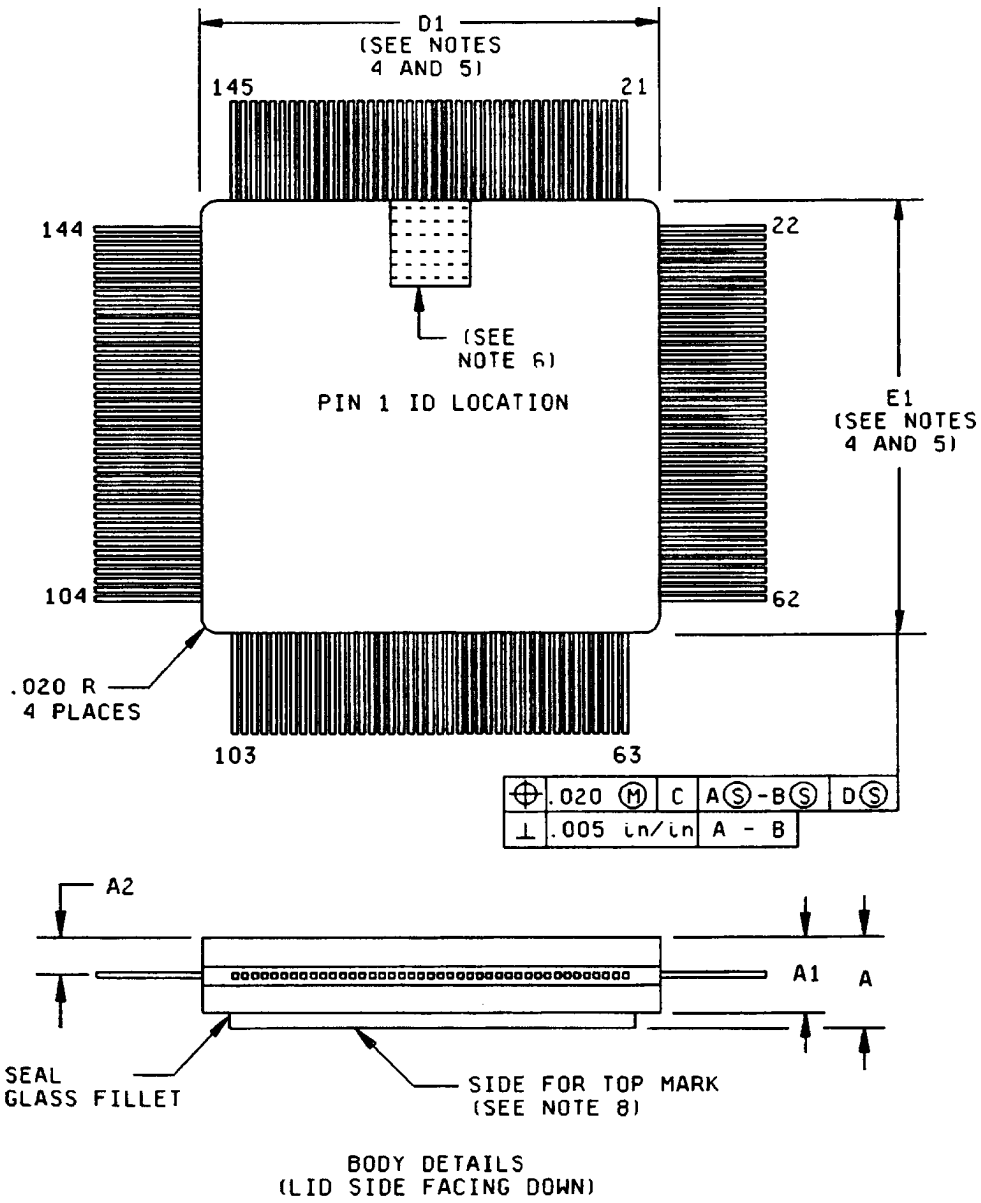


FIGURE 1. Case outline - Continued.

STANDARDIZED MILITARY DRAWING DEFENSE ELECTRONICS SUPPLY CENTER DAYTON, OHIO 45444	SIZE <b>A</b>		5962-89823
		REVISION LEVEL <b>D</b>	SHEET <b>20</b>

DESC FORM 193A  
 JUL 91

TERMINAL DETAILS

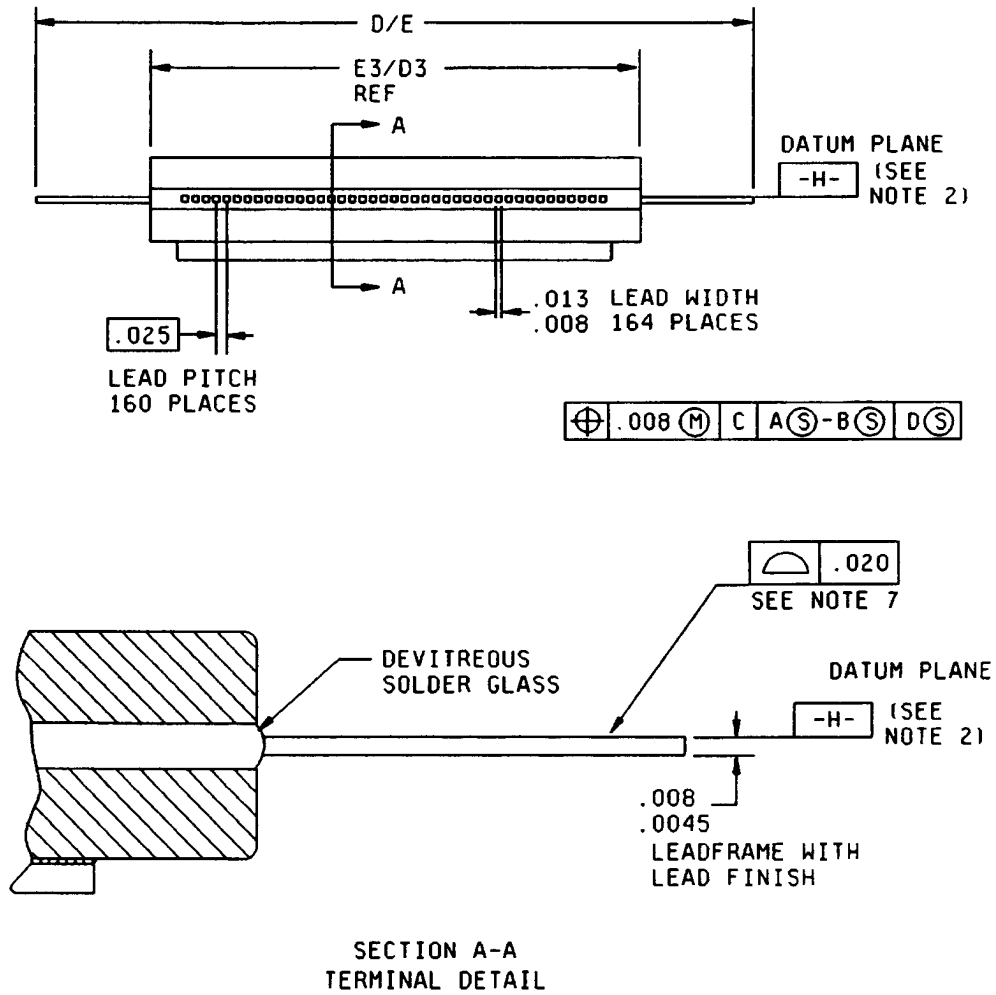


FIGURE 1. Case outline - Continued.

STANDARDIZED MILITARY DRAWING DEFENSE ELECTRONICS SUPPLY CENTER DAYTON, OHIO 45444	SIZE A		5962-89823
		REVISION LEVEL D	SHEET 21

Case U

Symbol	Inches		Millimeters		Notes
	Min	Max	Min	Max	
A	.125	.145	3.18	3.68	
A1	.100	.120	2.54	3.05	
A2	.060	.070	1.52	1.78	
D	1.510	1.530	38.35	38.86	4
D1	1.060	1.100	26.92	27.94	4,5
D3	1.000	Ref.	25.40		
E	1.510	1.530	38.35	38.86	4
E1	1.060	1.100	26.92	27.94	4,5
E3	1.000	Ref.	25.40		

NOTES

1. The US government preferred system of measurement is the metric SI system. However, this item was originally designed using inch-pound units of measurement. In the event of conflict between the metric and inch-pound units, the inch-pound units shall take precedence.
2. Datum plane -H- is located at the underside of leads, where leads exit package body.
3. Datum A - B and -D- to be determined where center leads exit package body at datum -H-.
4. These dimensions are to be determined at the datum plane -H-.
5. Dimensions D1 and E1 define maximum ceramic body dimensions including glass protrusion and mismatch of ceramic body top and bottom.
6. Pin #1 identifier location. Pin #1 is the middle pin on the side with center justified. Identifier mark may be a notch, dot, or triangle.
7. Packages are shipped with uniformed leads
8. Top side mark location, product mark is located on the lid side of package; i.e., lid side facing up. When mounted in this position, the pin out is counterclockwise.

FIGURE 1. Case outline - Continued.

<b>STANDARDIZED MILITARY DRAWING DEFENSE ELECTRONICS SUPPLY CENTER DAYTON, OHIO 45444</b>	<b>SIZE A</b>		<b>5962-89823</b>
		<b>REVISION LEVEL D</b>	<b>SHEET 22</b>

DESC FORM 193A  
JUL 91

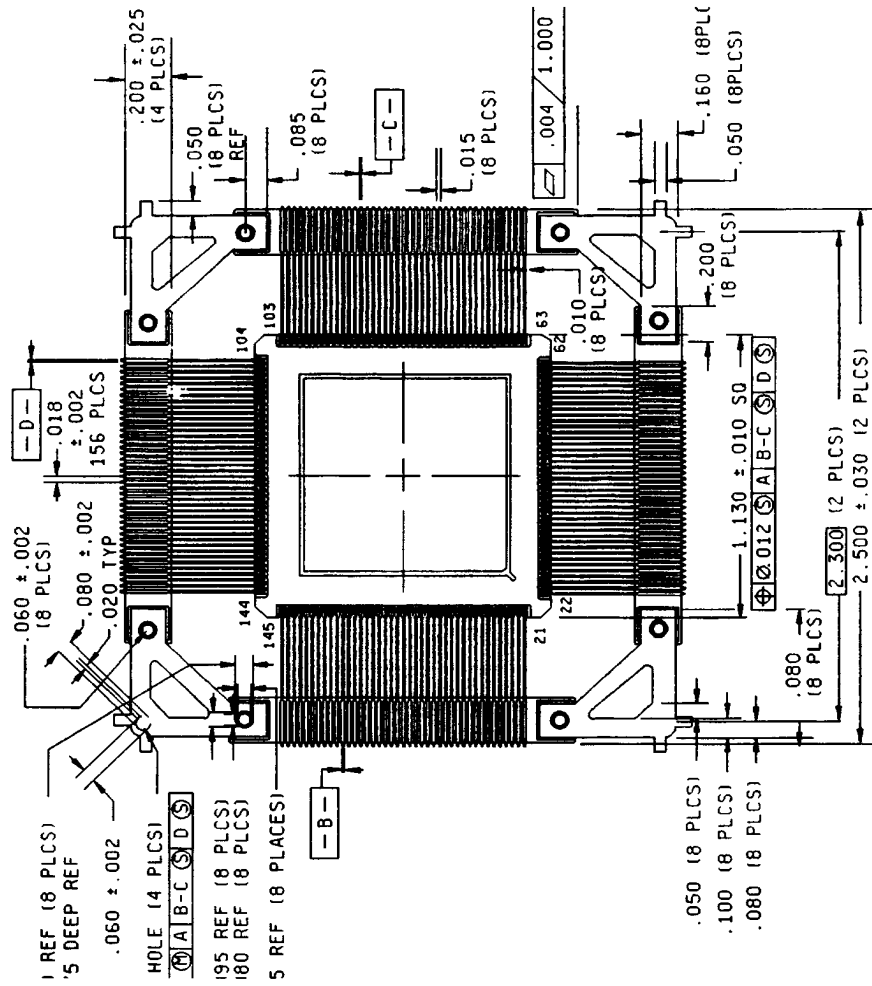
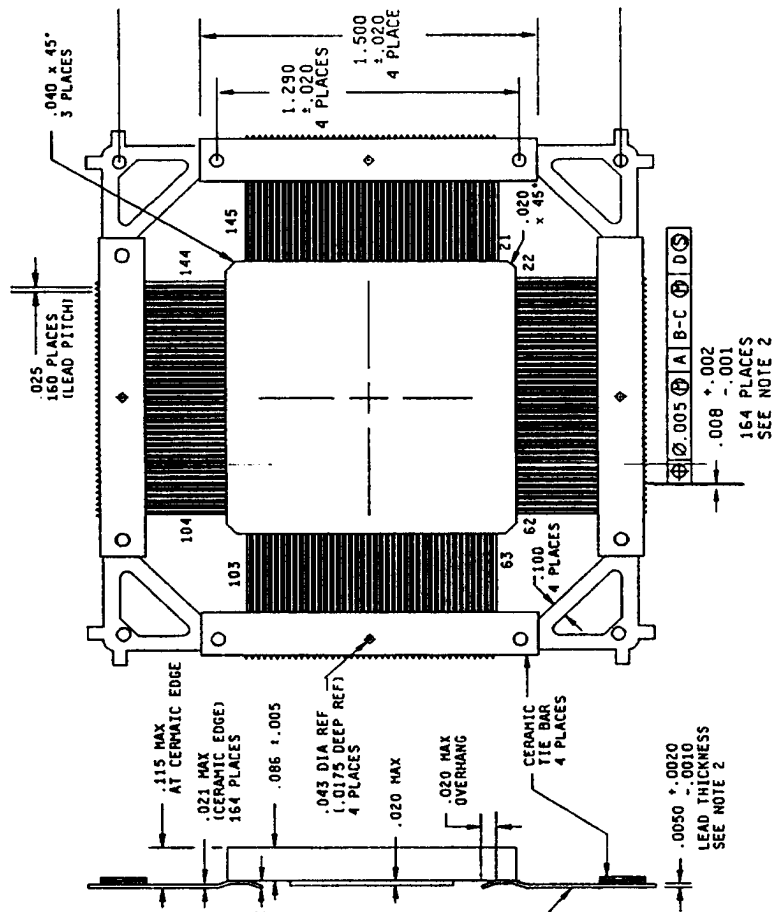


FIGURE 1. Case outline - Continued.

STANDARDIZED MILITARY DRAWING DEFENSE ELECTRONICS SUPPLY CENTER DAYTON, OHIO 45444	SIZE A		5962-89823
		REVISION LEVEL D	SHEET 23

DESC FORM 193A  
 JUL 91

Cases Z and T (See note 6)



NOTES:

1. Dimensions are in inches.
2. Metric dimensions are for reference only.
3. Packages are shipped flat as depicted
4. Lead dimensions call out includes lead finish.
5. The leads of this package style shall be protected from mechanical distortion and damage such that dimensions pertaining to relative lead/body "true positions" and lead "coplanarity" are always maintained until the next higher level package attachment process is complete. Package lead protection mechanisms (tie bars) are shown on the drawing for reference only. When microcircuit devices contained in this package style are shipped for use in Government equipment, or shipped directly to the Government as spare parts or mechanical qualification samples, lead "true position" and "coplanarity" protection shall be in place.
6. Case Z represents marking the device on the nonlid side of device, i.e., lid side facing down. When mounted in this position, the pin out is clockwise. Case T represents marking the device on the lid side of the device i.e., lid side facing up. When mounted in this position, the pin out is counterclockwise.

FIGURE 1. Case outline - Continued.

<b>STANDARDIZED MILITARY DRAWING DEFENSE ELECTRONICS SUPPLY CENTER DAYTON, OHIO 45444</b>	<b>SIZE A</b>		<b>5962-89823</b>
		<b>REVISION LEVEL D</b>	<b>SHEET 24</b>

DESC FORM 193A  
JUL 91



Cases Z and T

Inches	mm	Inches	mm
.0010	0.025	.050	1.27
.001	0.03	.060	1.52
.002	0.05	.080	2.03
.004	0.10	.086	2.18
.005	0.13	.095	2.41
.008	0.20	.100	2.54
.010	0.25	.115	2.92
.012	0.30	.160	4.06
.0175	0.445	.200	5.08
.018	0.46	.645	16.38
.020	0.51	1.000	25.50
.021	0.53	1.130	28.70
.025	0.64	1.290	32.77
.030	0.76	1.500	38.10
.040	1.02	2.300	58.42
		2.500	63.50

NOTE: Metric equivalents are for reference only.

FIGURE 1. Case outline - Continued.

<b>STANDARDIZED MILITARY DRAWING DEFENSE ELECTRONICS SUPPLY CENTER DAYTON, OHIO 45444</b>	<b>SIZE A</b>		<b>5962-89823</b>
		<b>REVISION LEVEL D</b>	<b>SHEET 25</b>

DESC FORM 193A  
JUL 91

Case outline X

Device type	ALL	Device type	ALL	Device type	ALL
Terminal number	Terminal symbol	Terminal number	Terminal symbol	Terminal number	Terminal symbol
A2	NC	C1	A8-I/O	D15	I/O
A3	NC	C2	A9-I/O	D16	LDC-I/O
A4	I/O	C3	GND	E1	A7-I/O
A5	I/O	C4	I/O	E2	I/O
A6	I/O	C5	I/O	E3	A10-I/O
A7	I/O	C6	I/O	E14	HDC-I/O
A8	I/O	C7	I/O	E15	I/O
A9	I/O	C8	I/O	E16	I/O
A10	I/O	C9	I/O	F1	I/O
A11	I/O	C10	I/O	F2	A12-I/O
A12	I/O	C11	I/O	F3	I/O
A13	I/O	C12	I/O	F14	I/O
A14	I/O	C13	I/O	F15	I/O
A15	NC	C14	GND	F16	I/O
A16	NC	C15	M2-I/O	G1	I/O
B1	I/O	C16	I/O	G2	I/O
B2	PWRDN	D1	A11-I/O	G3	I/O
B3	I/O	D2	I/O	G14	I/O
B4	I/O	D3	V <sub>CC</sub>	G15	I/O
B5	I/O	D4	TCLKIN-I/O	G16	I/O
B6	I/O	D5	I/O	H1	A6-I/O
B7	I/O	D6	I/O	H2	A13-I/O
B8	I/O	D7	I/O	H3	V <sub>CC</sub>
B9	I/O	D8	GND	H14	V <sub>CC</sub>
B10	I/O	D9	V <sub>CC</sub>	H15	INIT-I/O
B11	I/O	D10	I/O	H16	I/O
B12	I/O	D11	I/O	J1	I/O
B13	I/O	D12	I/O	J2	I/O
B14	M1-RDATA	D13	I/O	J3	GND
B15	M0-RTRIG	D14	V <sub>CC</sub>	J14	GND
B16	I/O				

NC = no connect

FIGURE 2. Terminal connections.

STANDARDIZED MILITARY DRAWING DEFENSE ELECTRONICS SUPPLY CENTER DAYTON, OHIO 45444	SIZE A		5962-89823
		REVISION LEVEL D	SHEET 26

DESC FORM 193A  
JUL 91

Case outline X - Continued.

Device type	All		Device type	All		Device type	All
Terminal number	Terminal symbol		Terminal number	Terminal symbol		Terminal number	Terminal symbol
J15	I/O		N8	GND		R2	CCLK
J16	I/O		N9	V <sub>CC</sub>		R3	DO-DIN-I/O
K1	A5-I/O		N10	I/O		R4	I/O
K2	A14-I/O		N11	I/O		R5	D1-I/O
K3	I/O		N12	I/O		R6	I/O
K14	I/O		N13	D7-I/O		R7	D2-I/O
K15	I/O		N14	GND		R8	CS1-I/O
K16	I/O		N15	I/O		R9	D4-I/O
L1	I/O		N16	I/O		R10	CS0-I/O
L2	A4-I/O		P1	A2-I/O		R11	I/O
L3	I/O		P2	AO-WS-I/O		R12	I/O
L14	I/O		P3	V <sub>CC</sub>		R13	I/O
L15	I/O		P4	I/O		R14	DONE-PG
L16	I/O		P5	RDY/BUSY-RCLK-I/O		R15	RESET
M1	A15-I/O		P6	I/O		R16	I/O
M2	I/O		P7	I/O		T1	NC
M3	A1-CS2-I/O		P8	D3-I/O		T2	NC
M14	I/O		P9	I/O		T3	NC
M15	I/O		P10	I/O		T4	I/O
M16	I/O		P11	I/O		T5	I/O
N1	A3-I/O		P12	D6-I/O		T6	I/O
N2	I/O		P13	I/O		T7	I/O
N3	GND		P14	V <sub>CC</sub>		T8	I/O
N4	DOUT-I/O		P15	XTAL2(IN)-I/O		T9	I/O
N5	I/O		P16	I/O		T10	I/O
N6	I/O		R1	I/O		T11	D5-I/O
N7	I/O					T12	I/O
						T13	I/O
						T14	XTALK1(OUT)- BCLKIN-I/O
						T15	NC
						T16	NC

NC = no connect

FIGURE 2. Terminal connections - Continued.

STANDARDIZED MILITARY DRAWING DEFENSE ELECTRONICS SUPPLY CENTER DAYTON, OHIO 45444	SIZE A	5962-89823
	REVISION LEVEL D	SHEET 27

DESC FORM 193A  
 JUL 91

Case outlines Y, Z, U, and T

Device type	ALL	Device type	All	Device type	ALL
Terminal number	Terminal symbol	Terminal number	Terminal symbol	Terminal number	Terminal symbol
1	V <sub>CC</sub>	29	I/O	57	I/O
2	A13-I/O	30	I/O	58	I/O
3	A6-I/O	31	I/O	59	I/O
4	I/O	32	I/O	60	I/O
5	I/O	33	I/O	61	I/O
6	I/O	34	I/O	62	M1-RDATA
7	I/O	35	I/O	63	GND
8	A12-I/O	36	I/O	64	MO-RTRIG
9	A7-I/O	37	I/O	65	V <sub>CC</sub>
10	I/O	38	I/O	66	M2-I/O
11	I/O	39	I/O	67	HDC-I/O
12	A11-I/O	40	I/O	68	I/O
13	A8-I/O	41	GND	69	I/O
14	I/O	42	V <sub>CC</sub>	70	I/O
15	I/O	43	I/O	71	LDC-I/O
16	A10-I/O	44	I/O	72	I/O
17	A9-I/O	45	I/O	73	I/O
18	V <sub>CC</sub>	46	I/O	74	I/O
19	GND	47	I/O	75	I/O
20	PWRDWN	48	I/O	76	I/O
21	TCLKIN-I/O	49	I/O	77	I/O
22	I/O	50	I/O	78	I/O
23	I/O	51	I/O	79	I/O
24	I/O	52	I/O	80	I/O
25	I/O	53	I/O	81	INIT-I/O
26	I/O	54	I/O	82	V <sub>CC</sub>
27	I/O	55	I/O	83	GND
28	I/O	56	I/O	84	I/O

FIGURE 2. Terminal connections - Continued.

STANDARDIZED MILITARY DRAWING DEFENSE ELECTRONICS SUPPLY CENTER DAYTON, OHIO 45444	SIZE A	5962-89823
	REVISION LEVEL D	SHEET 28

DESC FORM 193A  
 JUL 91

Case outlines Y, Z, U, and T - Continued.

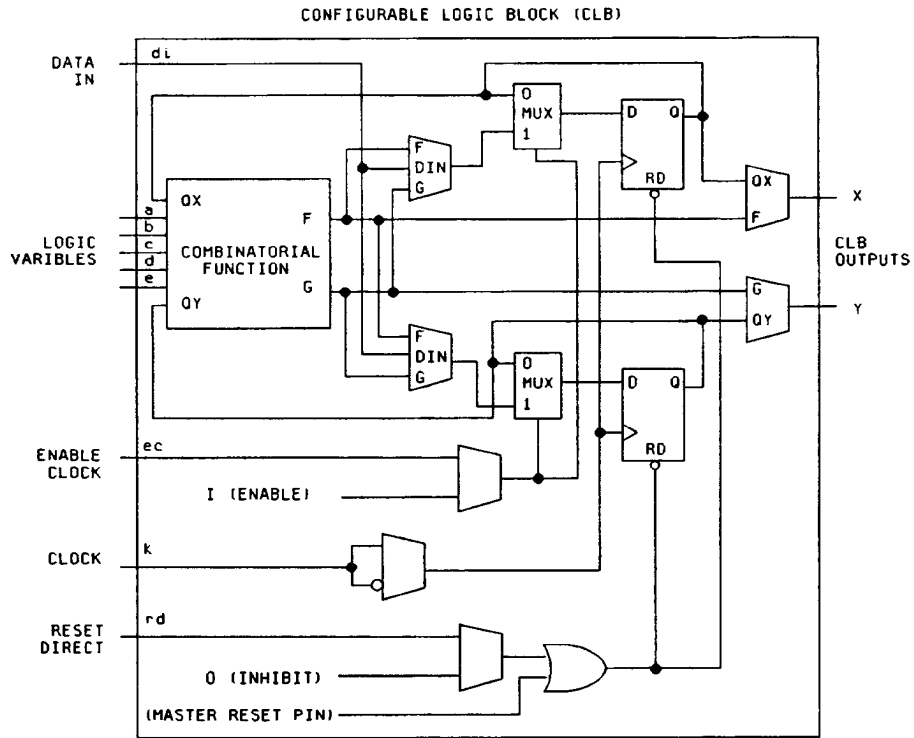
Device type	All	Device type	All	Device type	All
Terminal number	Terminal symbol	Terminal number	Terminal symbol	Terminal number	Terminal symbol
85	I/O	112	I/O	139	I/O
86	I/O	113	I/O	140	I/O
87	I/O	114	I/O	141	I/O
88	I/O	115	D5-I/O	142	I/O
89	I/O	116	CS0-I/O	143	DO-DIN-I/O
90	I/O	117	I/O	144	DOOUT-I/O
91	I/O	118	I/O	145	CCLK
92	I/O	119	I/O	146	V <sub>CC</sub>
93	I/O	120	I/O	147	GND
94	I/O	121	D4-I/O	148	A0-WS-I/O
95	I/O	122	I/O	149	A1-CS2-I/O
96	I/O	123	V <sub>CC</sub>	150	I/O
97	I/O	124	GND	151	I/O
98	I/O	125	D3-I/O	152	A2-I/O
99	XTAL2(IN)-I/O	126	CS1-I/O	153	A3-I/O
100	GND	127	I/O	154	I/O
101	RESET	128	I/O	155	I/O
102	V <sub>CC</sub>	129	I/O	156	A15-I/O
103	DONE-PG	130	I/O	157	A4-I/O
104	D7-I/O	131	D2-I/O	158	I/O
105	XTAL1(OUT)- BCLKIN-I/O	132	I/O	159	I/O
106	I/O	133	I/O	160	A14-I/O
107	I/O	134	I/O	161	A5-I/O
108	I/O	135	I/O	162	I/O
109	D6-I/O	136	I/O	163	I/O
110	I/O	137	D1-I/O	164	GND
111	I/O	138	RDY/BUSY-RCLK-I/O		

FIGURE 2. Terminal connections - Continued.

STANDARDIZED MILITARY DRAWING DEFENSE ELECTRONICS SUPPLY CENTER DAYTON, OHIO 45444	SIZE A	5962-89823
	REVISION LEVEL D	SHEET 29

DESC FORM 193A  
 JUL 91

CONFIGURABLE LOGIC BLOCK (CLB)



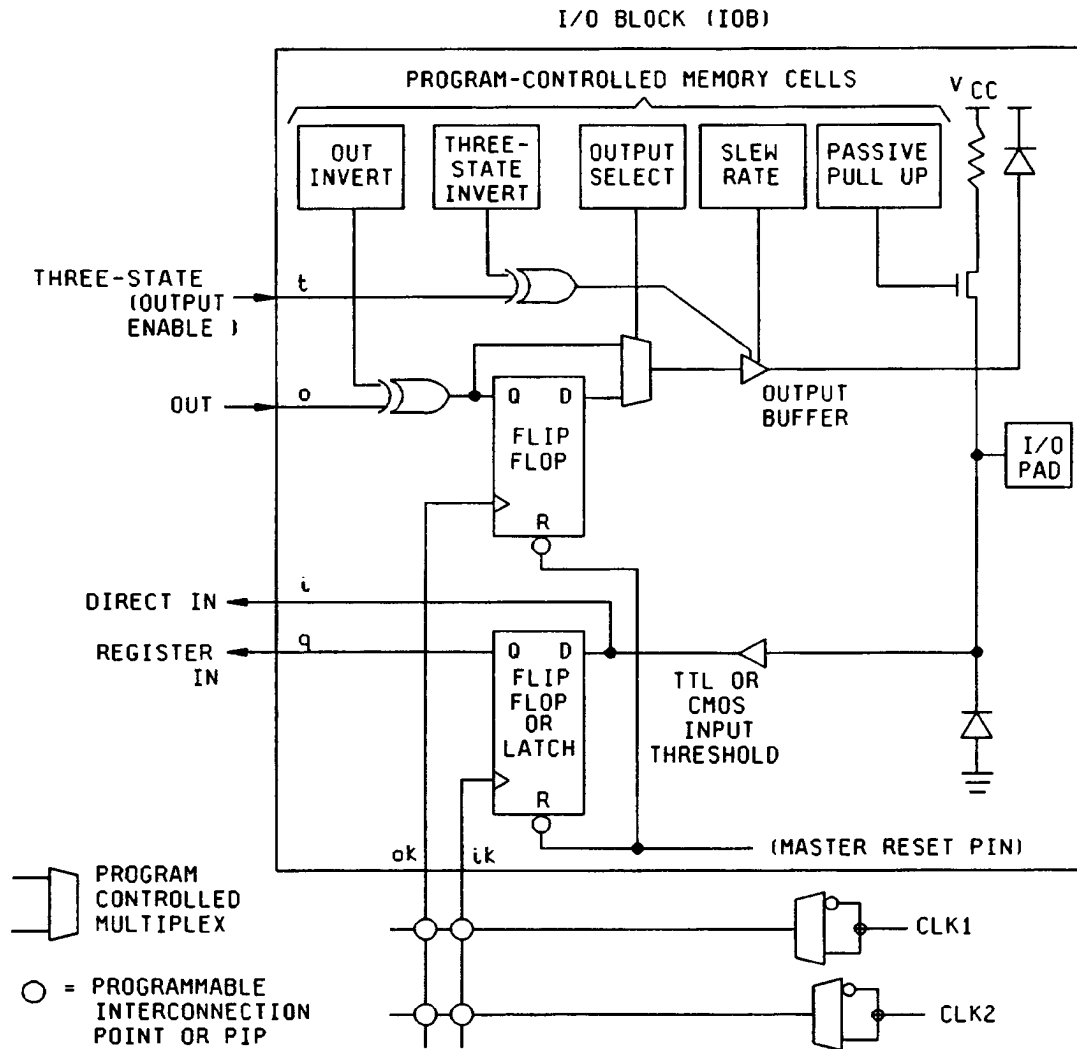
NOTE: Each configurable logic block includes a combinatorial logic section, two flip-flops, and program memory controlled multiplexer selection of function.

It has: Five logic variable inputs: a, b, c, d, and e.  
 a direct data input: di  
 an enable clock: ec  
 a clock (invertible): k  
 an asynchronous reset: rd  
 two outputs: x and y

FIGURE 3. Logic block diagram.

STANDARDIZED MILITARY DRAWING DEFENSE ELECTRONICS SUPPLY CENTER DAYTON, OHIO 45444	SIZE A		5962-89823
		REVISION LEVEL D	SHEET 30

DESC FORM 193A  
 JUL 91

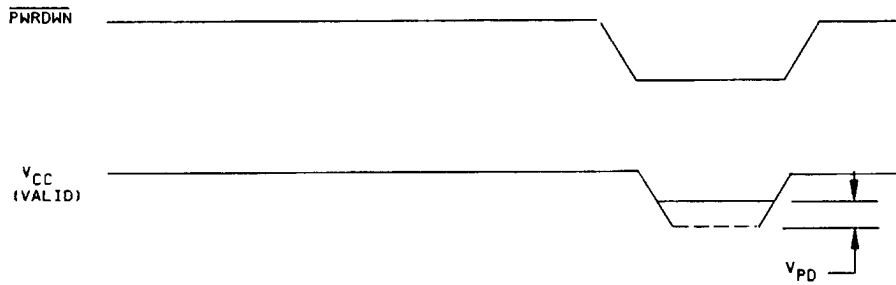


NOTE: The input/output block includes input and output storage elements and I/O options selected by configuration memory cells. A choice of two clocks is available on each die edge. The polarity of each clock line (not each flip-flop or latch) is programmable. A clock line that triggers the flip-flop on the rising edge is an active low latch enable (latch transparent) signal and vice versa. Passive pull-up can only be enable on inputs, not on outputs. All user inputs are programmed for TTL or CMOS thresholds.

FIGURE 3. Logic block diagram - Continued.

STANDARDIZED MILITARY DRAWING DEFENSE ELECTRONICS SUPPLY CENTER DAYTON, OHIO 45444	SIZE A		5962-89823
		REVISION LEVEL D	SHEET 31

GENERAL LOGIC CELL ARRAY (LCA) SWITCHING CHARACTERISTICS



NOTE: All timings except  $t_{TSHZ}$  and  $t_{TSON}$  are measured at 1.5 V levels with 50 pF minimum output load. For input signals, rise and fall times are less than 6.0 ns, with low amplitude = 0.0 V, and high amplitude = 3.0 V.

FIGURE 4. . Timing diagrams and switching characteristics.

STANDARDIZED MILITARY DRAWING DEFENSE ELECTRONICS SUPPLY CENTER DAYTON, OHIO 45444	SIZE A		5962-89823
		REVISION LEVEL D	SHEET 32

DESC FORM 193A  
 JUL 91



CONFIGURABLE LOGIC BLOCK (CLB) SWITCHING CHARACTERISTICS

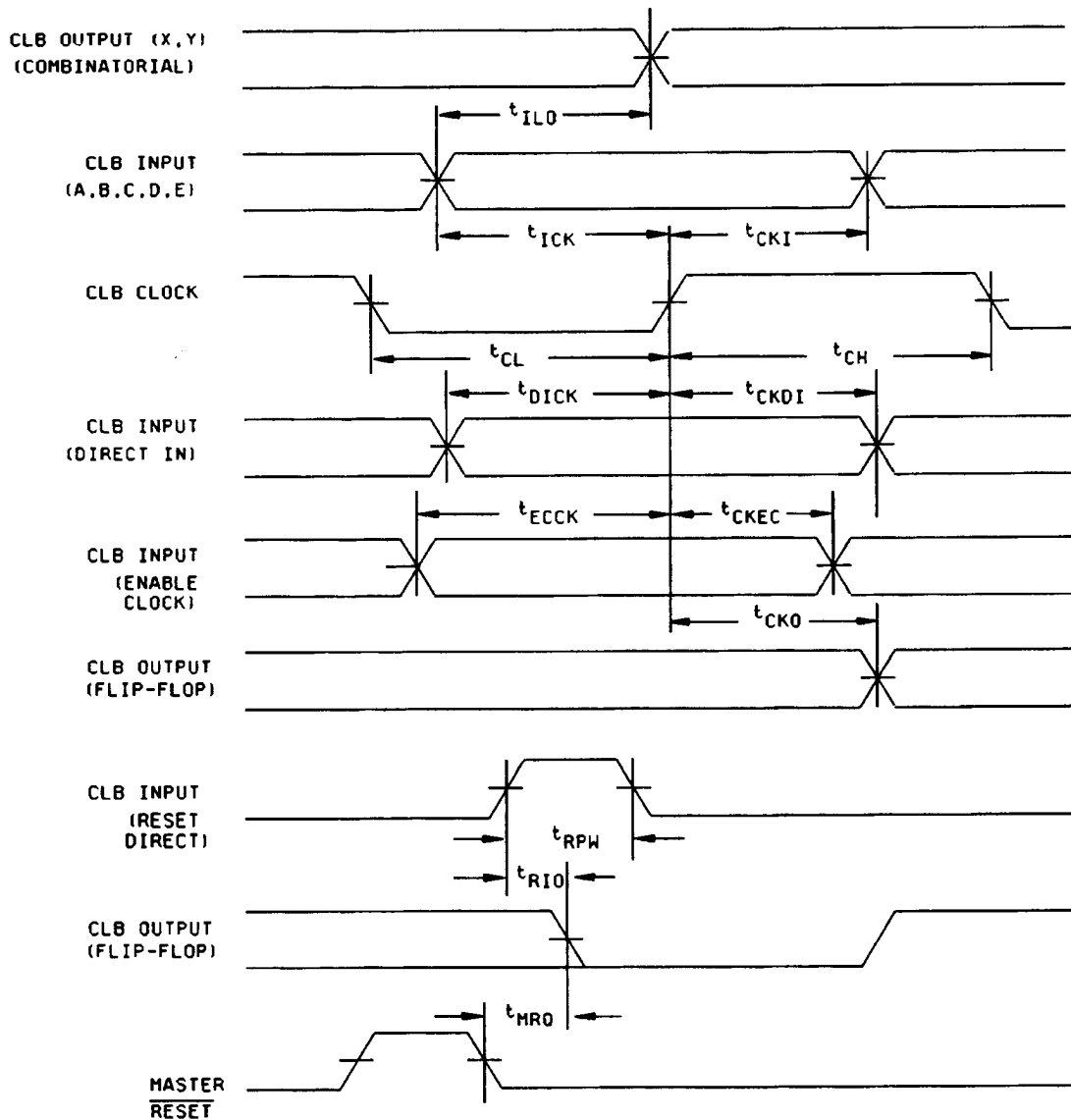
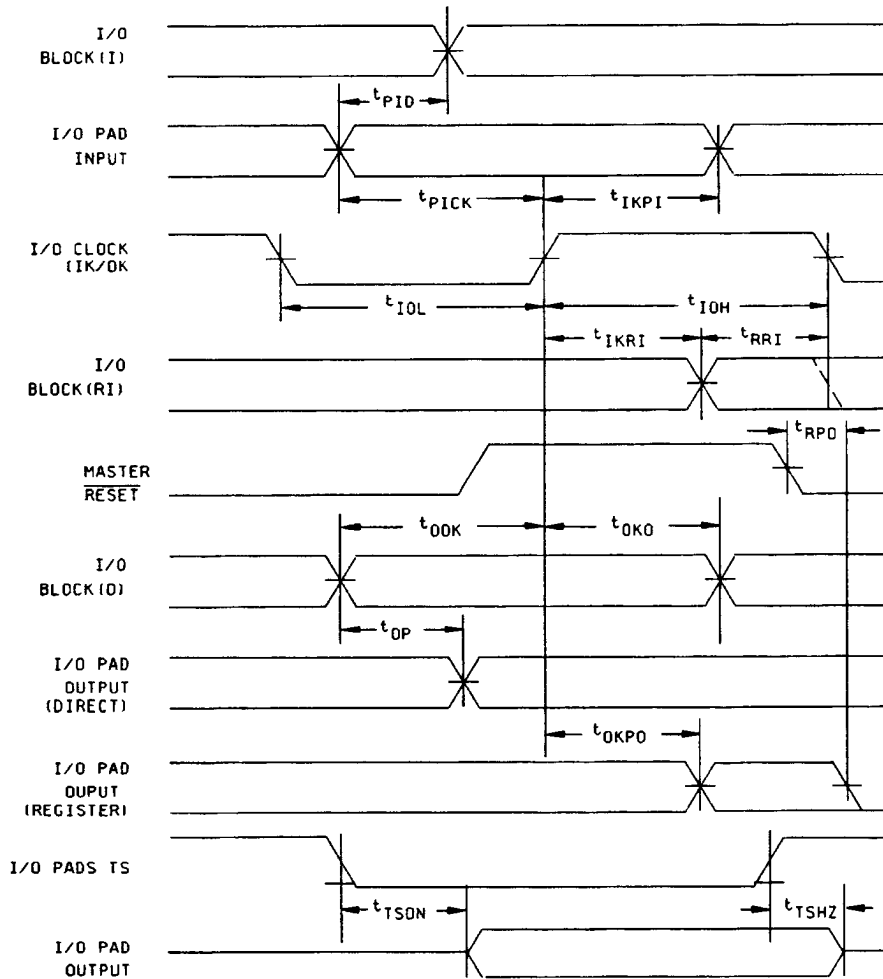


FIGURE 4. Timing diagrams and switching characteristics - Continued.

STANDARDIZED MILITARY DRAWING DEFENSE ELECTRONICS SUPPLY CENTER DAYTON, OHIO 45444	SIZE A		5962-89823
		REVISION LEVEL D	SHEET 33

DESC FORM 193A  
 JUL 91

I/O BLOCK (IOB) SWITCHING CHARACTERISTICS

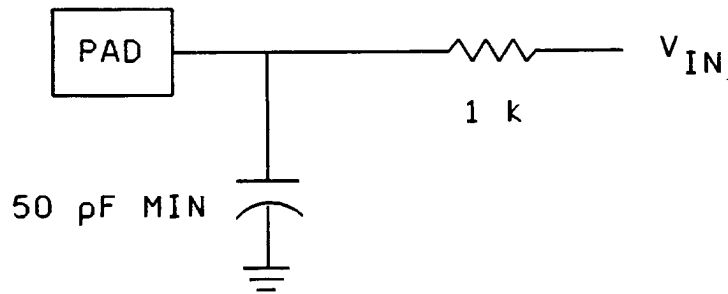


NOTE: All timings except  $t_{TSHZ}$  and  $t_{TSON}$  are measured at 1.5 V with 50 pF minimum load output. For input signals, rise and fall times are  $\leq 6$  ns, low amplitude = 0 V and high = 3 V.  $t_{TSHZ}$  is determined when the output shifts 10 percent (of the output voltage swing) from  $V_{OL}$  level or  $V_{OH}$  level. See figure 5, circuit A herein for circuit used.  $t_{TSON}$  is measured at  $0.5 V_{CC}$  level with  $V_{IN} = 0.0$  for three-state to active high, and  $V_{IN} = V_{CC}$  for three-state to active low. See figure 5, circuit B herein for circuit used.

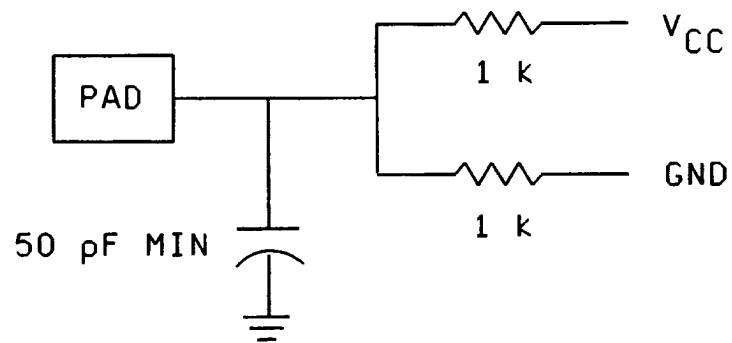
FIGURE 4. Timing diagrams and switching characteristics - Continued.

STANDARDIZED MILITARY DRAWING DEFENSE ELECTRONICS SUPPLY CENTER DAYTON, OHIO 45444	SIZE A		5962-89823
		REVISION LEVEL D	SHEET 34

DESC FORM 193A  
 JUL 91



Circuit A



Circuit B

FIGURE 5. Load circuit.

STANDARDIZED MILITARY DRAWING DEFENSE ELECTRONICS SUPPLY CENTER DAYTON, OHIO 45444	SIZE <b>A</b>		5962-89823
		REVISION LEVEL D	SHEET 35

DESC FORM 193A  
 JUL 91

TABLE IIA. Electrical test requirements. 1/ 2/ 3/ 4/ 5/ 6/ 7/

Line no.	Test requirements	Subgroups (in accordance with MIL-STD-883, method 5005, table I)	Subgroups (in accordance with MIL-I-38535, table III)	
		Device class M	Device class Q	Device class V
1	Interim electrical parameters (see 4.2)		1,7,9	1,7,9
2	Static burn-in (method 1015)	Required	Required	Required
3	Same as Line 1			1*,7* Δ
4	Dynamic burn-in (method 1015)	Not required	Not required	Not required
5	Final electrical parameters	1*,2,3,7*,8A,8B,9,10,11	1*,2,3,7*,8A,8B,9,10,11	1*,2,3,7*,8A,8B,9,10,11
6	Group A test requirements	1,2,3,4**,7,8A,8B,9,10,11	1,2,3,4**,7,8A,8B,9,10,11	1,2,3,4**,7,8A,8B,9,10,11
7	Group C end-point electrical parameters	2,3,7,8A,8B	1,2,3,7,8A,8B Δ	1,2,3,7,8A,8B,9,10,11 Δ
8	Group D end-point electrical parameters	2,3,8A,8B	2,3,8A,8B	2,3,8A,8B
9	Group E end-point electrical parameters	1,7,9	1,7,9	1,7,9

- 1/ Blank spaces indicate tests are not applicable.
- 2/ Any or all subgroups may be combined when using high-speed testers.
- 3/ Subgroups 7 and 8 functional tests shall verify the truth table.
- 4/ \* indicates PDA applies to subgroup 1 and 7.
- 5/ \*\* see 4.4.1e.
- 6/ Δ indicates delta limit (see table IIB) shall be required where specified, and the delta values shall be computed with reference to the previous interim electrical parameters (see line 1).
- 7/ See 4.4.1d.

TABLE IIB. Delta limits at +25°C.

Parameter 1/	Device types
	All
I <sub>CCO</sub> standby	±300 μA
I <sub>IL</sub> , I <sub>OL</sub>	±2 nA

- 1/ The above parameter shall be recorded before and after the required burn-in and life tests to determine the delta Δ

STANDARDIZED MILITARY DRAWING DEFENSE ELECTRONICS SUPPLY CENTER DAYTON, OHIO 45444	SIZE <b>A</b>	5962-89823
	REVISION LEVEL D	SHEET 36

DESC FORM 193A  
JUL 91

4.4.3 Group D inspection. The group D inspection end-point electrical parameters shall be as specified in table IIA herein.

4.4.4 Group E inspection. Group E inspection is required only for parts intended to be marked as radiation hardness assured (see 3.5 herein). RHA levels for device classes Q and V shall be M, D, R, and H and for device class M shall be M and D.

- a. End-point electrical parameters shall be as specified in table IIA herein.
- b. For device class M, the devices shall be subjected to radiation hardness assured tests as specified in MIL-I-38535, appendix A, for the RHA level being tested. For device classes Q and V, the devices or test vehicle shall be subjected to radiation hardness assured tests as specified in MIL-I-38535 for the RHA level being tested. All device classes must meet the postirradiation end-point electrical parameter limits as defined in table I at  $T_A = +25^{\circ}\text{C} \pm 5^{\circ}\text{C}$ , after exposure, to the subgroups specified in table IIA herein.
- c. When specified in the purchase order or contract, a copy of the RHA delta limits shall be supplied.

4.5 Delta measurements for device classes Q and V. Delta measurements, as specified in table IIA, shall be made and recorded before and after the required burn-in screens and steady-state life tests to determine delta compliance. The electrical parameters to be measured, with associated delta limits are listed in table IIB. The device manufacturer may, at his option, either perform delta measurements or within 24 hours after life test perform final electrical parameter tests, subgroups 1, 7, and 9.

5. PACKAGING

5.1 Packaging requirements. The requirements for packaging shall be in accordance with MIL-STD-883 (see 3.1 herein) for device class M and MIL-I-38535 for device classes Q and V.

6. NOTES

(This section contains information of a general or explanatory nature that may be helpful, but is not mandatory.)

6.1 Intended use. Microcircuits conforming to this drawing are intended for use for Government microcircuit applications (original equipment), design applications, and logistics purposes.

6.1.1 Replaceability. Microcircuits covered by this drawing will replace the same generic device covered by a contractor-prepared specification or drawing.

6.1.2 Substitutability. Device class Q devices will replace device class M devices.

6.2 Configuration control of SMD's. All proposed changes to existing SMD's will be coordinated with the users of record for the individual documents. This coordination will be accomplished in accordance with MIL-STD-973 using DD Form 1692, Engineering Change Proposal.

6.3 Record of users. Military and industrial users shall inform Defense Electronics Supply Center when a system application requires configuration control and which SMD's are applicable to that system. DESC will maintain a record of users and this list will be used for coordination and distribution of changes to the drawings. Users of drawings covering microelectronic devices (FSC 5962) should contact DESC-EC, telephone (513) 296-6047.

6.4 Comments. Comments on this drawing should be directed to DESC-EC, Dayton, Ohio 45444, or telephone (513) 296-5377.

6.5 Symbols, definitions, and functional descriptions.

PWRDWN	-----	POWER-DOWN.
MO	-----	MODE 0.
RTRIG	-----	READ TRIGGER.
M1	-----	MODE 1.
RDATA	-----	READ DATA.
M2	-----	MODE 2.
HDC	-----	HIGH DURING CONFIGURATION.
LDC	-----	LOW DURING CONFIGURATION
RESET	-----	RESET
DONE	-----	DONE
PG	-----	PROGRAM
BCLKIN	-----	BCLKIN

<b>STANDARDIZED MILITARY DRAWING DEFENSE ELECTRONICS SUPPLY CENTER DAYTON, OHIO 45444</b>	<b>SIZE A</b>		<b>5962-89823</b>
		<b>REVISION LEVEL D</b>	<b>SHEET 37</b>

DESC FORM 193A  
JUL 91

6.5 Symbols, definitions, and functional descriptions Continued.

XTL1	-----	EXTERNAL CRYSTAL
XTL2	-----	EXTERNAL CRYSTAL
CCLK	-----	CONFIGURATION CLOCK
DOUT	-----	DATA OUT
DIN	-----	DATA IN
CS0	-----	CHIP SELECT, WRITE.
CS1	-----	CHIP SELECT, WRITE.
CS2	-----	CHIP SELECT, WRITE.
WS	-----	CHIP SELECT, WRITE.
RCLK	-----	READ CLOCK.
RDY/BUSY-	-----	During peripheral parallel mode configuration, this pin indicates when the chip is ready for another byte of data to be written into it. After configuration is complete, this pin becomes a user programmed I/O pin.
TCLKIN	-----	TCLKIN
INIT	-----	INIT
DO-D7	-----	DATA
AO-A15	-----	ADDRESS
I/O	-----	INPUT/OUTPUT(DEDICATED).
V <sub>CC</sub>	-----	+5.0 V SUPPLY VOLTAGE.
GND	-----	GROUND

6.6 One part - one part number system. The one part - one part number system described below has been developed to allow for transitions between identical generic devices covered by the four major microcircuit requirements documents (MIL-H-38534, MIL-I-38535, and 1.2.1 of MIL-STD-883) without the necessity for the generation of unique part numbers. The four military requirements documents represent different class levels, and previously when a device manufacturer upgraded military product from one class level to another, the benefits of the upgraded product were unavailable to the Original Equipment Manufacturer (OEM), that was contractually locked into the original unique part number. By establishing a one part number system covering all four documents, the OEM can acquire to the highest class level available for a given generic device to meet system needs without modifying the original contract parts selection criteria.

<u>Military documentation format</u>	<u>Example PIN under new system</u>	<u>Manufacturing source listing</u>	<u>Document listing</u>
New MIL-H-38534 Standardized Military Drawings	5962-XXXXZZ(H or K)YY	QML-38534	MIL-BUL-103
New MIL-I-38535 Standardized Military Drawings	5962-XXXXZZ(Q or V)YY	QML-38535	MIL-BUL-103
New 1.2.1 of MIL-STD-883 Standardized Military Drawings	5962-XXXXZZ(M)YY	MIL-BUL-103	MIL-BUL-103

6.7 Additional operating data.

- Power on delay is  $2^{14}$  cycles from the non-master mode. This provides 11 to 33 ms of wait time.
- Power on delay is  $2^{16}$  cycles for the master mode. This provides 43 to 130 ms of wait time.
- Clear is 375 cycles  $\pm$  25 cycles and may take as long as 250 to 750  $\mu$ s.
- During normal power up, V<sub>CC</sub> must rise from 2.0 V to V<sub>CC</sub> minimum in less than 10 ms. If this does not occur, configuration must be delayed by using RESET.

6.8 Sources of supply.

6.8.1 Sources of supply for device classes Q and V. Sources of supply for device classes Q and V are listed in QML-38535. The vendors listed in QML-38535 have submitted a certificate of compliance (see 3.6 herein) to DESC-EC and have agreed to this drawing.

6.8.2 Approved sources of supply for device class M. Approved sources of supply for class M are listed in MIL-BUL-103. The vendors listed in MIL-BUL-103 have agreed to this drawing and a certificate of compliance (see 3.6 herein) has been submitted to and accepted by DESC-EC.

<b>STANDARDIZED MILITARY DRAWING DEFENSE ELECTRONICS SUPPLY CENTER DAYTON, OHIO 45444</b>	<b>SIZE A</b>		<b>5962-89823</b>
		<b>REVISION LEVEL D</b>	<b>SHEET 38</b>

DESC FORM 193A  
JUL 91

APPENDIX

10. SCOPE

10.1 **Scope.** This appendix contains the PIN substitution information to support the one part-one part number system. SMD 5962-89823XXM supersedes SMD 5962-89823. For new designs, after the date of this document the NEW PIN shall be used in lieu of the OLD PIN. For existing designs prior to the date of this document the NEW PIN can be used in lieu of the OLD PIN. This appendix is a mandatory part of the specification. The information contained herein is intended for compliance. The PIN substitution data shall be as follows.

20. **APPLICABLE DOCUMENTS** This section is not applicable to this appendix.

30. SUBSTITUTION DATA

<u>New PIN</u>	<u>Old PIN</u>
5962-8982301MXX	5962-8982301XX
5962-8982301MYX	5962-8982301YX
5962-8982301MZ	5962-8982301ZX
5962-8982301MUX	not originally available
5962-8982301MTX	not originally available
5962-8982302MXX	5962-8982302XX
5962-8982302MYX	5962-8982302YX
5962-8982302MZ	5962-8982302ZX
5962-8982302MUX	not originally available
5962-8982302MTX	not originally available
5962-8982303MXX	not originally available
5962-8982303MYX	not originally available
5962-8982303MZ	not originally available
5962-8982303MUX	not originally available
5962-8982303MTX	not originally available
5962-8982304MXX	not originally available
5962-8982304MYX	not originally available
5962-8982304MZ	not originally available
5962-8982304MUX	not originally available
5962-8982304MTX	not originally available

<b>STANDARDIZED MILITARY DRAWING DEFENSE ELECTRONICS SUPPLY CENTER DAYTON, OHIO 45444</b>	<b>SIZE A</b>		<b>5962-89823</b>
		<b>REVISION LEVEL D</b>	<b>SHEET 39</b>

DESC FORM 193A  
JUL 91