

PLEASE CHECK WWW.MOLEX.COM FOR LATEST PART INFORMATION

Part Number: [0508577012](#)
Status: **Active**
Description: Ring Tongue Terminal for 8 AWG, Closed Uninsulated Brazed Barrel, Stud Size 1/4" (M6), Oxygen-Free Copper, Width 10.00mm (.394"), Length 23.50mm (.925")

Documents:

[Drawing \(PDF\)](#) [RoHS Certificate of Compliance \(PDF\)](#)
[Product Specification PS-50555-001 \(PDF\)](#)

Agency Certification

UL E134962

General

Product Family Ring and Spade Terminals
 Series [50857](#)
 Crimp Quality Equipment Yes
 Mil-Spec N/A
 Product Name R (Ring)
 Type Ring

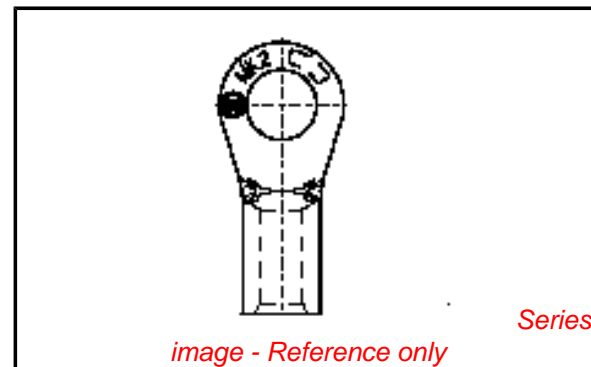
Physical

Barrel Type Closed - Brazed
 Insulation None
 Material - Plating Mating Tin
 Packaging Type Bag
 Plating min: Mating (µin) 40
 Plating min: Mating (µm) 1
 Plating min: Termination (µin) 40
 Plating min: Termination (µm) 1
 Stud Size 1/4" (M6)
 Termination Interface: Style Crimp or Compression
 Wire Size AWG 8
 Wire Size mm² 6.64 - 10.52

Material Info

Reference - Drawing Numbers

Product Specification PS-50555-001
 Sales Drawing SD-50857-001



EU RoHS

**ELV and RoHS
 Compliant
 REACH SVHC
 Not Reviewed
 Halogen-Free
 Status
 Not Reviewed**

China RoHS

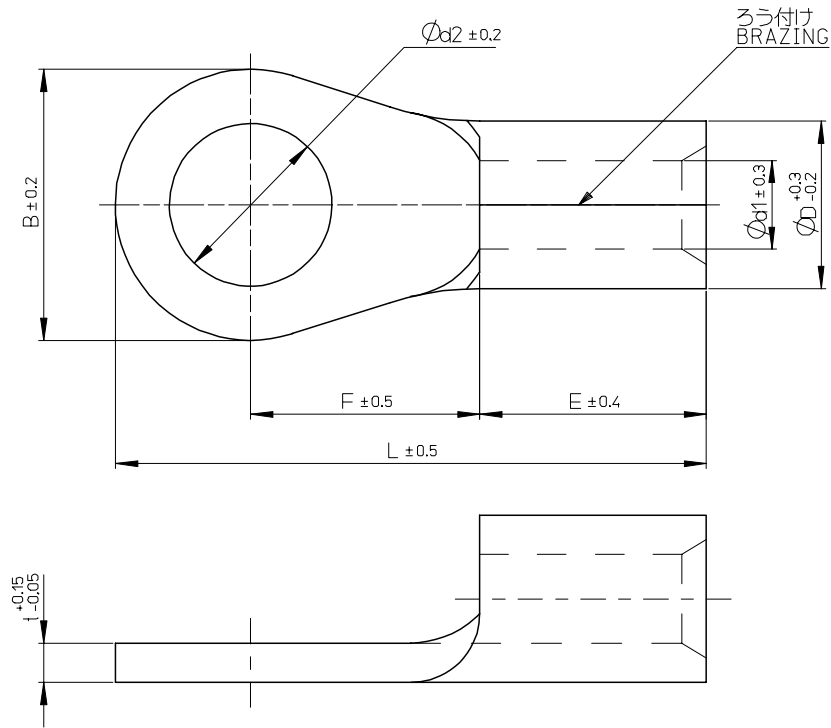


**Need more information on product
 environmental compliance?**

Email productcompliance@molex.com
 For a multiple part number RoHS Certificate of
 Compliance, [click here](#)

Please visit the [Contact Us](#) section for any
 non-product compliance questions.

Search Parts in this Series
[50857Series](#)



注記
NOTES

1. 材質 MATERIAL

端子：無酸素銅、錫めっき
 TERMINAL: OXYGEN-FREE COPPER, TIN PLATING
 TIN PLATING OR GOLD PLATING.

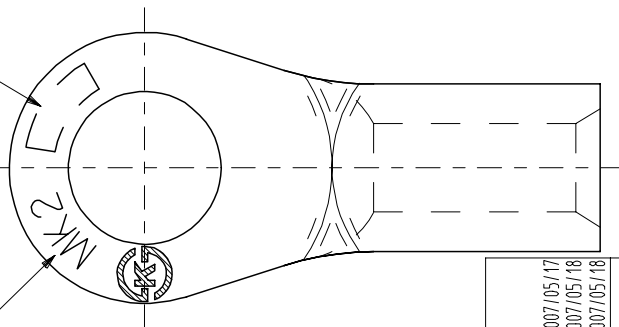
ろう付け部：りん銅ろう
 PART OF BRAZING : COPPER PHOSPHORUS BRAZING FILLER METALS

2. 適用電線 APPLICABLE WIRE RANGE

単線 SOLID WIRE	撚線 STRANDED WIRE
2.89-3.65 mm	6.64-10.52 mm ²

呼び
NOMINAL SIZE

トレードマーク
TRADE MARK



1.2	21	50	25.7	8.3	4.5	7	32	8	20	50857-7312
	17								16	50857-7212
	15								14	50857-7112
	6.4	23.5	10.2	10	S6	50857-7012				
t	∅d2	L	F	E	∅d1	∅D	B	呼び NOMINAL SIZE	ENG. NO.	

RELEASED EC NO: J2007-0312 DRW: H.YAJIMA 2007/05/17 CHK: K.KASAHARA 2007/05/18 APPR: NUKITA 2007/05/18	GENERAL TOLERANCES (UNLESS SPECIFIED)		DIMENSION STYLE MM ONLY		SCALE ---	DESIGN UNITS METRIC	THIRD ANGLE PROJECTION		
	10 UNDER	± ---	DRAWN BY H. YAJIMA		DATE '06/08/25		TITLE RING TERMINAL		
	10 OVER 30 UNDER	± ---	CHECKED BY K. KASAHARA		DATE '06/08/25		MOLEX INCORPORATED		
	30 OVER	± ---	APPROVED BY N. UKITA		DATE '06/08/25				
	ANGULAR	± --- °	MATERIAL NO.		DOCUMENT NO.		SHEET NO.		
DRAFT WHERE APPLICABLE MUST REMAIN WITHIN DIMENSIONS		SEE CHART		SD-50857-001		1 OF 1			
0	REV	THIS DRAWING CONTAINS INFORMATION THAT IS PROPRIETARY TO MOLEX INCORPORATED AND SHOULD NOT BE USED WITHOUT WRITTEN PERMISSION							