



TAI-SAW TECHNOLOGY CO., LTD.

No. 3, Industrial 2nd Rd., Ping-Chen Industrial District,
Taoyuan, 324, Taiwan, R.O.C.

TEL: 886-3-4690038 FAX: 886-3-4697532

E-mail: tstsales@mail.taisaw.com Web: www.taisaw.com

Approval Sheet For Product Specification

Issued Date: August, 31, 2005

Product Name: SAW Filter 1842.5 MHz SMD 3X3 mm

TST Parts No.:TA0363F

Customer Parts No.: _____

Company: _____
Division: _____
Approved by : _____
Date: _____

Checked by: _____ Bob Chau

Approval by: _____ Francis Chen

Date: _____ 8, 31, 2005



TAI-SAW TECHNOLOGY CO., LTD.

No. 3, Industrial 2nd Rd., Ping-Chen Industrial District,
Taoyuan, 324, Taiwan, R.O.C.

TEL: 886-3-4690038 FAX: 886-3-4697532

E-mail: tstsales@mail.taisaw.com Web: www.taisaw.com

SAW Filter 1842.5 MHz for Mobile Communication

MODEL NO.: TA0363F

REV. NO.:2

A1. MAXIMUM RATING:

1. Input Power Level: 13 dB_m
2. DC voltage: 3 V
3. Operating Temperature: 25°C
4. Storage Temperature: -40°C to +85°C

RoHS Compliant
Lead free
Lead-free soldering

B1. ELECTRICAL CHARACTERISTICS:

Item		Min.	Typ.	Max.
Center frequency	F_c (MHz)	-	1842.5	-
Insertion loss (1805~1880 MHz)	IL (dB)	-	2.2	3.8
Amplitude ripple (1805~1880 MHz)	(dB)	-	1.3	2.3
Attenuation (Reference level from 0 dB)				
D.C. ~ 1500	MHz (dB)	20.0	24.5	-
1500 ~ 1710	MHz (dB)	22.0	25.0	-
1710 ~ 1785	MHz (dB)	10.0	23.5	-
1920 ~ 3120	MHz (dB)	25.0	28.0	-
3120 ~ 4000	MHz (dB)	17.0	30.0	-
Input/Output VSWR (1805~1880 MHz)		-	1.9	2.1
Source impedance	Z _s (Ω)	-	50	-
Load impedance	Z _L (Ω)	-	50	-

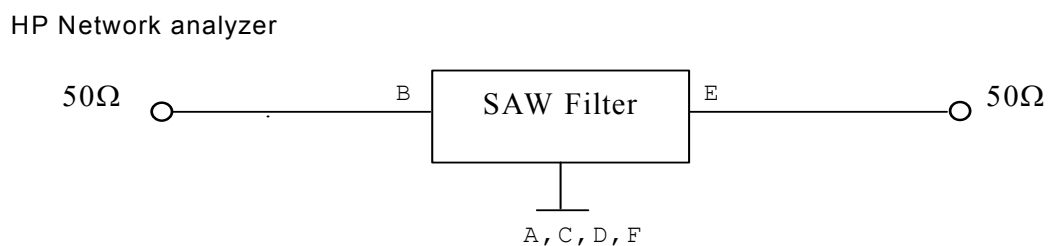
A2. MAXIMUM RATING:

1. Input Power Level: 13 dB_m
2. DC voltage: 3 V
3. Operating Temperature: -30°C to +85°C
4. Storage Temperature: -40°C to +85°C

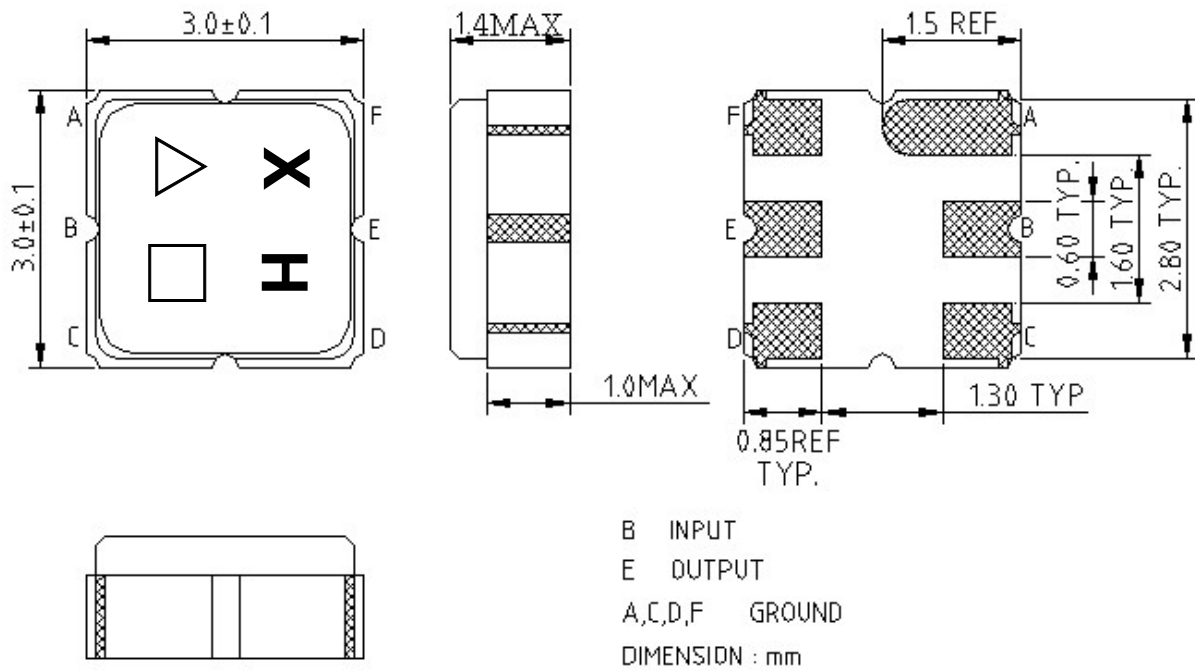
B2. ELECTRICAL CHARACTERISTICS:

Item		Min.	Typ.	Max.
Center frequency	Fc (MHz)	-	1842.5	-
Insertion loss (1805~1880 MHz)	IL (dB)	-	2.2	3.8
Amplitude ripple (1805~1880 MHz)	(dB)	-	1.3	2.3
Attenuation (Reference level from 0 dB)				
D.C. ~ 1500	MHz (dB)	20.0	24.5	-
1500 ~ 1710	MHz (dB)	22.0	25.0	-
1710 ~ 1785	MHz (dB)	10.0	23.5	-
1920 ~ 3120	MHz (dB)	25.0	28.0	-
3120 ~ 4000	MHz (dB)	17.0	30.0	-
Input/Output VSWR (1805~1880 MHz)		-	2.0	2.2
Source impedance	Z _s (Ω)	-	50	-
Load impedance	Z _L (Ω)	-	50	-

C. MEASUREMENT CIRCUIT:

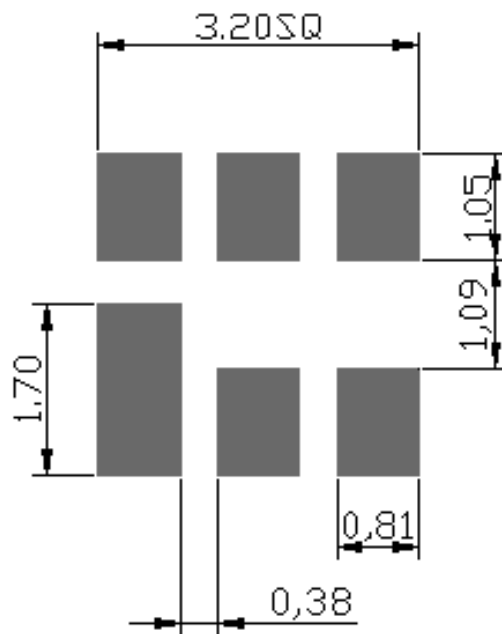


D. OUTLINE DRAWING:

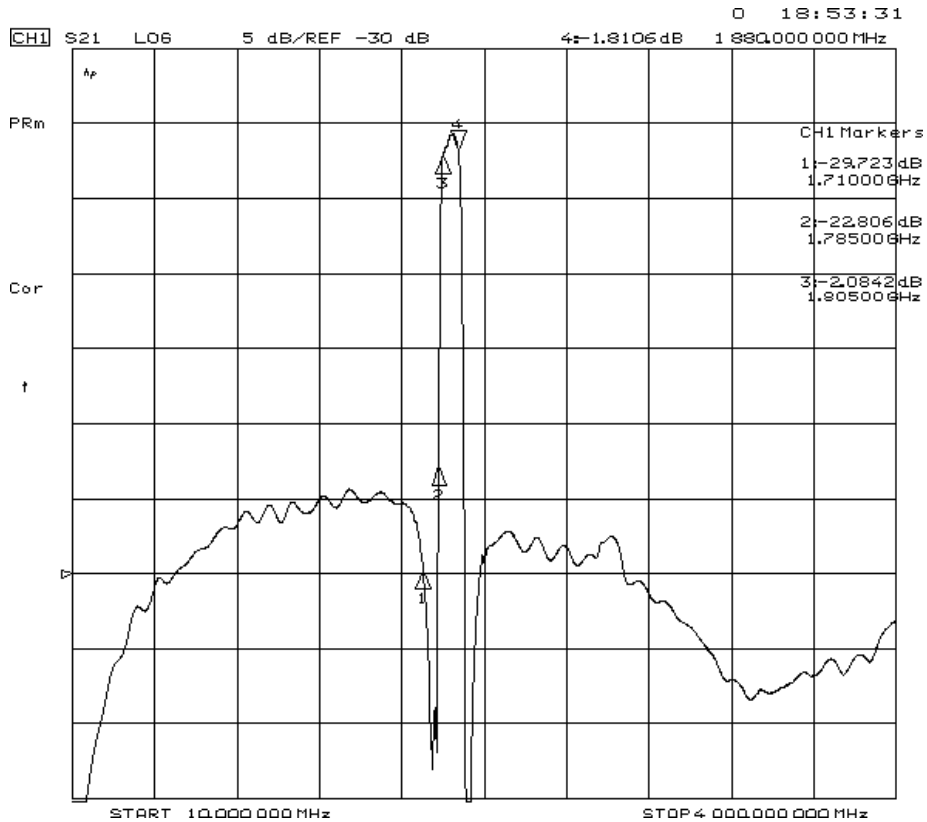
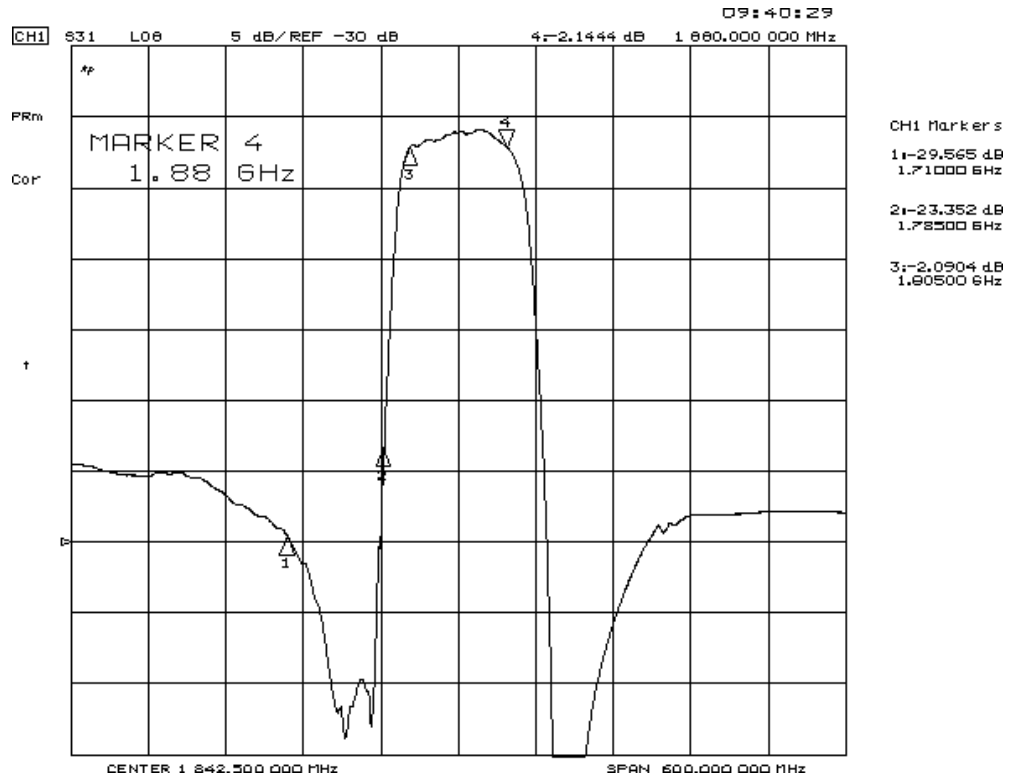


△ : Year Code
 □ : Date Code

E. PCB Footprint:

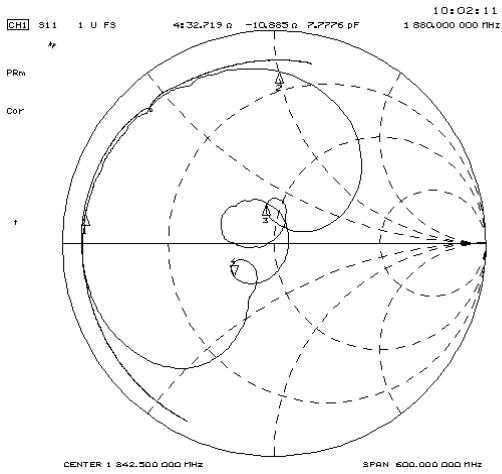


F. Frequency Characteristics : Transfer function



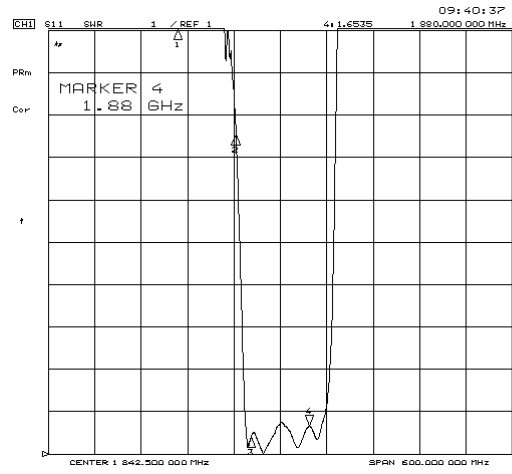
Reflections Functions :

S11



CHI Markers

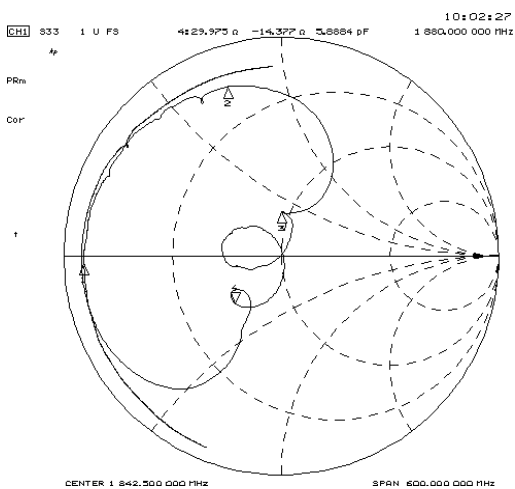
1	2.5925 GHz
2	3.2985 GHz
3	1.71000 GHz
4	10.840 GHz
5	20.415 GHz
6	1.76500 GHz
7	43.621 GHz
8	16.602 GHz
9	1.60500 GHz



CHI Markers

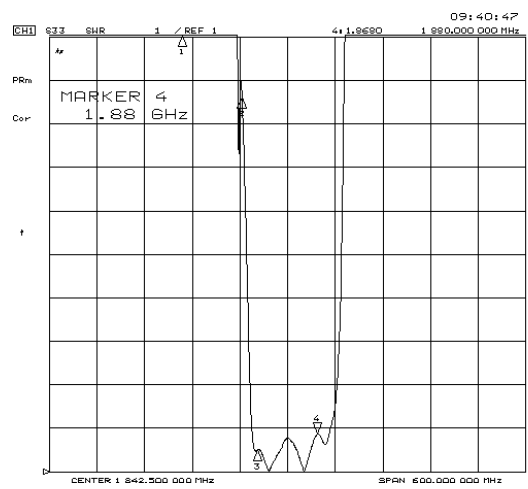
1	115.471 GHz
2	1.71000 GHz
3	8.5643 GHz
4	1.76500 GHz
5	31.4274 GHz
6	1.80500 GHz

S22



CHI Markers

1	2.3982 GHz
2	-803.04 MHz
3	1.71000 GHz
4	7.9766 GHz
5	36.073 GHz
6	1.76500 GHz
7	46.331 GHz
8	13.635 GHz
9	1.60500 GHz

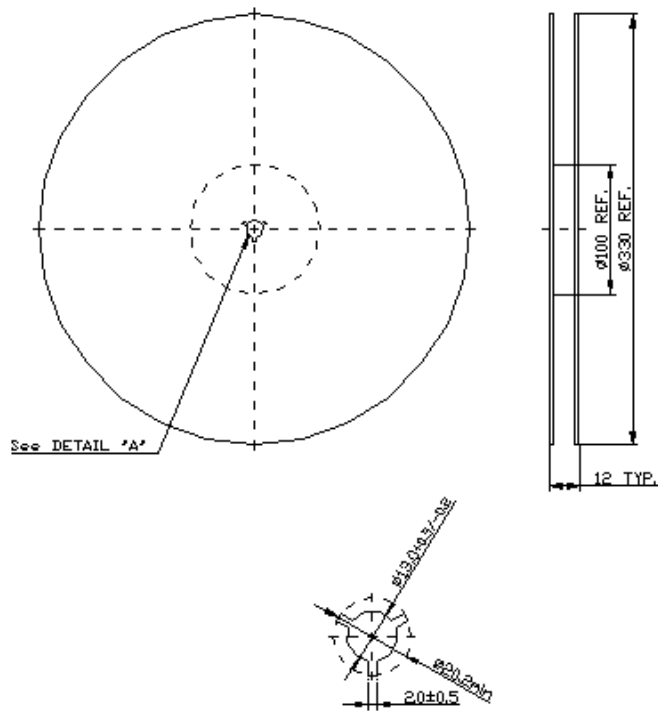


CHI Markers

1	21.038 GHz
2	1.71000 GHz
3	9.6247 GHz
4	1.76500 GHz
5	1.80500 GHz

G. PACKING:

1. REEL DIMENSION



2. TAPE DIMENSION

