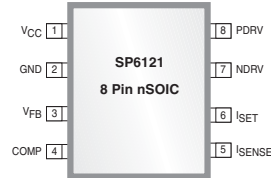


Low Voltage, Synchronous Step Down PWM Controller

Ideal for 2A to 10A, Small Footprint, DC-DC Power Converters

FEATURES

- Optimized for Single Input Voltage - 3V to 5.5V
- High Efficiency: Greater than 95% possible
- Accurate, 500kHz Fixed Frequency Operation
- Fast Transient Response
- 500 μ A, I_Q (25 μ A in Shutdown)
- Internal, 0.4 V/ms, Soft Start Circuit
- Precision 1% Reference
- Resistor Programmable Output Voltage
- Lossless Adjustable Current Limit with
- High Side $R_{DS(ON)}$ Sensing
- 0% to 100% Duty Cycle Range
- High Side PMOS Switch Negates Need for
- External Charge Pump
- Output Over Voltage Protection
- Hiccup Mode Current Limit Protection



Now Available in Lead Free Packaging

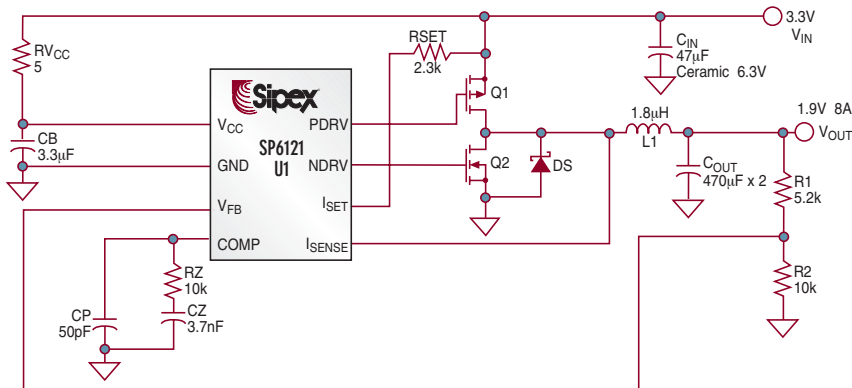
APPLICATIONS

- Supply Bias for
 - DSP
 - Microprocessor Core
 - I/O & Logic
- Video Cards
- Board Level Supply in Distributed Power Systems

DESCRIPTION

The SP6121 is a fixed frequency, voltage mode, synchronous PWM controller designed to work from a single 5V or 3.3V input supply, providing excellent AC and DC regulation for high efficiency power conversion. The operating frequency is internally set at 500kHz, permitting the use of small, surface mount inductors and capacitors. Requiring only few external components, the SP6121 packaged in an 8-pin SOIC, is especially suited for low voltage applications where cost, small size and high efficiency are critical. With its low voltage capability and inherent 100% duty cycle operation, the SP6121 allows low dropout operation in the event of a low input supply voltage condition.

TYPICAL APPLICATION CIRCUIT



Q1 = FAIRCHILD FDS6375

Q2 = FAIRCHILD FDS6690A

DS = STMICROELECTRONICS STPS2L25BU

L1 = PANASONIC ETQ-P6F1R6SFA

C_{OUT} = SANYO 4TPB470M

ABSOLUTE MAXIMUM RATINGS

V _{CC}	7V
All other pins	-0.3V to V _{CC} +0.3V
Peak Output Current < 10μs	
PDRV, NDRV	2A
Storage Temperature	-65°C to 150°C
Lead Temperature (Soldering, 10 sec)	300°C
ESD Rating	2kV HBM

These are stress ratings only and functional operation of the device at these ratings or any other above those indicated in the operation sections of the specifications below is not implied. Exposure to absolute maximum rating conditions for extended periods of time may affect reliability.

ELECTRICAL CHARACTERISTICS

Unless otherwise specified: 0°C < T_A < 70°C, 3.0V < V_{CC} < 5.5V, C_{COMP} = 22nF, C_{PDRV} = C_{NDRV} = 3.3nF, V_{FB} = 1.25V, I_{SET} = I_{SENSE} = V_{CC}, GND=0V

PARAMETER	MIN	TYP	MAX	UNITS	CONDITIONS
QUIESCENT CURRENT					
V _{CC} Supply Current	-	0.5	1.0	mA	No Switching
V _{CC} Supply Current (Disabled)	-	25	60	μA	COMP = 0V
ERROR AMPLIFIER					
Error Amplifier Transconductance		600		μS	
COMP Sink Current	15	35	65	μA	V _{FB} = 1.35V, COMP=0.8V, No Faults
COMP Source Current	15	35	65	μA	V _{FB} = 1.15V, COMP=1.8V
COMP Output Impedance		3		MΩ	
V _{FB} Input Bias Current		100		nA	
ERROR AMPLIFIER REFERENCE					
Initial Accuracy	1.238	1.250	1.262	V	Trimmed with Error Amp in Unity Gain
Error Amplifier Reference over Line, Load and Temperature	1.225	1.250	1.275	V	
OSCILLATOR & DELAY PATH					
Internal Oscillator Frequency	440	500	560	kHz	
Maximum Duty Cycle	100	-	-	%	COMP = 2V
Minimum Duty Cycle	-	-	0	%	COMP = 0.8V
Minimum PDRV Pulse Width		100		ns	V _{CC} > 4.5V, Ramp up COMP voltage until PDRV starts switching
CURRENT LIMIT					
Internal Current Limit Threshold	125	160	195	mV	V _{ISET} - V _{ISENSE} , T _A = 25°C
ISET Sink Current	25	30	35	μA	V _{ISET} = 5V, T _A = 25°C
Current Limit Threshold and ISET Temperature Coefficient		0.33		%/C	
Current Limit Time Constant		15		μs	
ISENSE Input Bias Current	-	-	100	nA	
SOFT START, SHUTDOWN, UVLO					
Internal Soft Start Slew Rate		0.4		V/ms	Measured at COMP pin on the transition from shutdown
Internal Soft Start Delay Time		1.5		ms	COMP charging to PDRV switching
COMP Discharge Current	150	300		μA	COMP = 0.5V, Fault Initiated
COMP Clamp Voltage	0.6	0.7	0.8	V	V _{FB} = 1.3V
COMP Clamp Current		100		μA	COMP = 0.5V, V _{FB} = 1.15V

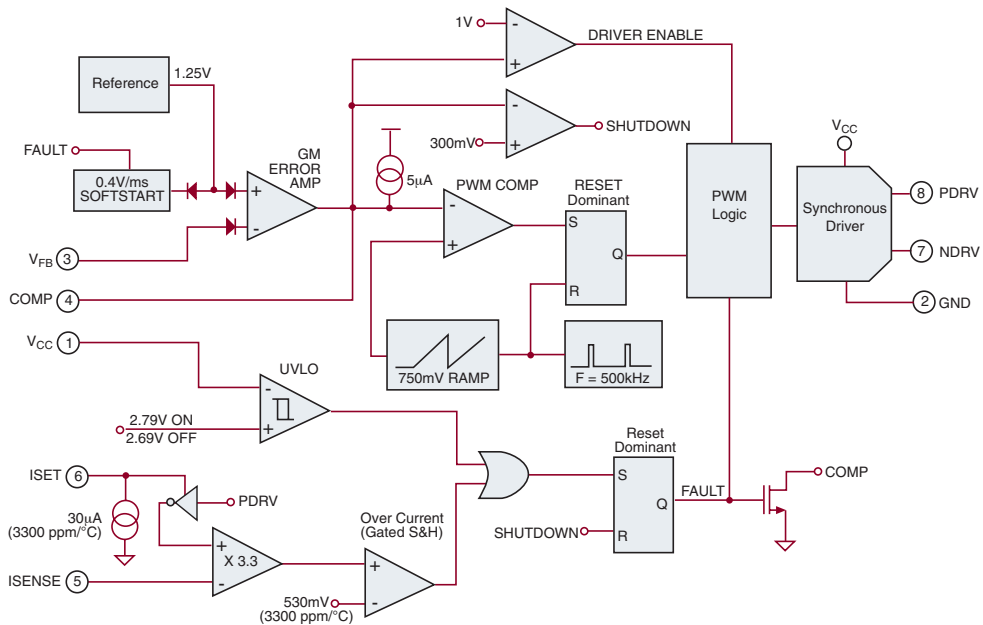
ELECTRICAL CHARACTERISTICS

Unless otherwise specified: $0^{\circ}\text{C} < T_A < 70^{\circ}\text{C}$, $3.0\text{V} < V_{\text{CC}} < 5.5\text{V}$, $C_{\text{COMP}} = 22\text{nF}$, $C_{\text{PDRV}} = C_{\text{NDRV}} = 3.3\text{nF}$, $V_{\text{FB}} = 1.25\text{V}$, $I_{\text{SET}} = I_{\text{SENSE}} = V_{\text{CC}}$, $\text{GND} = 0\text{V}$

PARAMETER	MIN	TYP	MAX	UNITS	CONDITIONS
SOFT START, SHUTDOWN, UVLO: continued					
Shutdown Threshold Voltage	0.2	0.3	0.4	V	Measured at COMP Pin
Shutdown Input Pull-up Current		5		μA	COMP = 0.2V, Measured at COMP pin
V_{CC} Start Threshold	2.69	2.79	2.89	V	
V_{CC} Stop Threshold	2.59	2.69	2.79	V	
V_{CC} Hysteresis	-	100	-	mV	
GATE DRIVERS					
PDRV Rise Time	-	40	110	ns	$V_{\text{CC}} > 4.5\text{V}$
PDRV Fall Time	-	40	110	ns	$V_{\text{CC}} > 4.5\text{V}$
NDRV Rise Time	-	40	110	ns	$V_{\text{CC}} > 4.5\text{V}$
PDRV Fall Time	-	40	110	ns	$V_{\text{CC}} > 4.5\text{V}$
PDRV to NDRV Non-Overlap Time		80		ns	$V_{\text{CC}} > 4.5\text{V}$
NDRV to PDRV Non-Overlap Time		50		ns	$V_{\text{CC}} > 4.5\text{V}$

PIN DESCRIPTION

PIN NO.	PIN NAME	DESCRIPTION
1	V_{CC}	Positive input supply for the control circuitry and gate drivers. Properly bypass this pin to GND with a low ESL/ESR ceramic capacitor.
2	GND	Ground pin. Both power and control circuitry of the IC is referenced to this pin.
3	V_{FB}	Feedback Voltage Pin. It is the inverting input of the Error Amplifier and serves as the output voltage feedback point for the buck converter. The output voltage is sensed and can be adjusted through an external resistor divider.
4	COMP	Output of the Error Amplifier. It is internally connected to the non-inverting input of the PWM comparator. A lead-lag network is typically connected to the COMP pin to compensate the feedback loop in order to optimize the dynamic performance of the voltage mode control loop. Sleep mode can be invoked by pulling the COMP pin below 0.2V with an external open-drain or open-collector transistor. Supply current is reduced to 25 μA (typical) in shutdown. An internal 5 μA pull-up ensures start-up.
5	I_{SENSE}	Current Limit Sense pin. Connect this pin to the switching node at the junction between the two external power MOSFET transistors. This pin monitors the voltage dropped across the $R_{\text{DS(ON)}}$ of the high side P-channel MOSFET while it is conducting. When this drop exceeds the sum of the voltage programmed through the I_{SET} pin plus the internal 160mV threshold, the overcurrent comparator sets the fault latch and terminates the output pulses. The controller stops switching and goes through a hiccup sequence. This prevents excessive power dissipation in the external power MOSFETs during an overload condition. An internal delay circuit prevents that very short and mild overload conditions, that could occur during a load transient, activate the current limit circuit.
6	I_{SET}	Current Limit Threshold pin. An external resistor connected between this pin and the source of the high side P-channel MOSFET adds to the internal current limit threshold of 160mV. If a current limit threshold in excess of 160mV is required, the external programming resistor can properly be chosen based on the internal 30 μA pull down current available on the I_{SET} pin. Both this 30 μA current source and the 160mV built-in current limit threshold have a positive temperature coefficient to provide first order correction for the temperature coefficient of the external P-channel MOSFET's $R_{\text{DS(ON)}}$.
7	NDRV	High current driver output for the low side MOSFET switch. It is always low if PDRV is low or during a fault.
8	PDRV	High current driver output for the high side MOSFET switch. It is always high if NDRV is high or during a fault.



THEORY OF OPERATION

General Overview

The SP6121 is a constant frequency, voltage mode, synchronous PWM controller designed for low voltage, DC/DC step down converters. It is intended to provide complete control for a high power, high efficiency, precisely regulated output voltage from a highly integrated 8-pin solution.

The internal free-running oscillator accurately sets the PWM frequency at 500kHz without requiring any external elements and allows the use of physically small, low value external components without compromising performance. A transconductance amplifier is used for the error amplifier, which compares an attenuated sample of the output voltage with a precision reference voltage. The output of the error amplifier (COMP), is compared to a 0.75V peak-to-peak ramp waveform to provide PWM control. The COMP pin provides access to the output of the error amplifier and allows the use of external components to stabilize the voltage loop.

High efficiency is obtained through the use of synchronous rectification. Synchronous regulators replace the catch diode in the standard buck converter with a low $R_{DS(ON)}$ N-channel

MOSFET switch allowing for significant efficiency improvements. The SP6121 includes two fast MOSFET drivers with internal non-overlap circuitry and drives a complementary pair of power transistors, P-channel on the high side, and N-channel on the low side. The use of a P-channel high side device minimizes complexity and external component count by eliminating the need for a charge pump that would otherwise be required to fully enhance an N-channel device. It also allows inherent 100% duty cycle for low dropout operation in the event of a low input supply voltage condition.

The SP6121 includes an internal 0.4V/ms soft-start circuit that provides controlled ramp up of the output voltage, preventing overshoot and inrush current at power up.

Current limiting is implemented by monitoring the voltage drop across the $R_{DS(ON)}$ of the high side P-channel MOSFET while it is conducting, thereby eliminating the need for an external sense resistor. The over-current comparator has a built-in threshold of 160mV that can be programmed to higher values using a single external resistor, connected to the ISET pin, whose

value is selected to match the MOSFET characteristics. When the over-current threshold is exceeded, the over-current comparator sets the fault latch and terminates the output pulses. The controller stops switching and goes through a hiccup sequence. This prevents excessive power dissipation in the external power MOSFETs during an overload condition. An internal delay circuit prevents that very short and mild overload conditions, that could occur during a load transient, activate the current limit circuit.

A low power sleep mode can be invoked in the SP6121 by externally forcing the COMP pin below 0.3V. Quiescent supply current in sleep mode is typically less than 25µA. An internal 5µA pull-up current at the COMP pin brings the SP6121 out of shutdown mode.

The SP6121 also includes under-voltage lock-out and over-voltage protection. Output over-voltage protection is achieved by turning off the high side switch, and turning on the low side N-channel MOSFET full time.

Enable

Low quiescent mode or “Sleep Mode” is initiated by pulling the COMP pin below 0.3V with an external open-drain or open-collector transistor. Supply current is reduced to 25µA (typical) in shutdown. On power-up, assuming that V_{CC} has exceeded the UVLO start threshold (2.79V), an internal 5µA pull-up current at the COMP pin brings the SP6121 out of shutdown mode and ensures start-up. During normal operating conditions and in absence of a fault, an internal clamp prevents the COMP pin from swinging below 0.6V. This guarantees that during mild transient conditions, due either to line or load variations, the SP6121 does not enter shutdown unless it is externally activated.

During Sleep Mode, the high side and low side MOSFETs are turned off and the internal soft start voltage is held low.

UVLO

Assuming that there is not shutdown condition present, then the voltage on the V_{CC} pin determines operation of the SP6121. As V_{CC} rises, the UVLO block monitors V_{CC} and keeps the high side and low side MOSFETs off and the internal SS voltage low until V_{CC} reaches 2.79V.

If no faults are present, the SP6121 will initiate a soft start when V_{CC} exceeds 2.79V.

Hysteresis (about 100mV) in the UVLO comparator provides noise immunity at start-up.

Soft Start

Soft start is required on step-down controllers to prevent excess inrush current through the power train during start-up. Typically this is managed by sourcing a controlled current into a timing capacitor and then using the voltage across this capacitor to slowly ramp up either the error amp reference or the error amp output (COMP). The control loop creates narrow width driver pulses while the output voltage is low and allows these pulses to increase to their steady-state duty cycle as the output voltage increases to its regulated value. As a result of controlling the inductor volt*second product during startup, inrush current is also controlled.

In the SP6121 the duration of the soft-start is controlled by an internal timing circuit that provides a 0.4V/ms slew-rate, which is used during start-up and over-current to set the hiccup time. The SP6121 implements soft-start by ramping up the error amplifier reference voltage providing a controlled slew-rate of the output voltage, thereby preventing overshoot and inrush current at power up.

The presence of the output capacitor creates extra current draw during startup. Simply stated, dV_{OUT}/dt requires an average sustained current in the output capacitor and this current must be considered while calculating peak inrush current and over current thresholds. An approximate expression to determine the excess inrush current due to the dV_{OUT}/dt of the output capacitor C_{OUT} is:

$$I_{C_{OUT}} = C_{OUT} * (0.4 \text{ V/ms}) * \frac{V_{OUT}}{1.25}$$

As Figure 1 shows, the SS voltage controls a variety of signals. First, provided all the external fault conditions are removed, an internal 5µA pull-up at the COMP pin brings the SP6121 out of shutdown mode. The internal timing circuit is then activated and controls the ramp-up of the error amp reference voltage. The COMP pin is pulled to 0.7V by the internal

clamp and then gradually charges preventing the error amplifier from forcing the loop to maximum duty cycle. As the COMP voltage crosses about 1V (valley voltage of the PWM ramp), the driver begins to switch the high side MOSFET with narrow pulses in an effort to keep the converter output regulated. The SP6121 operates at low duty cycle as the COMP voltage increases above 1V. As the error amp reference ramps upward, the driver pulses widen until a steady state value is reached and the output voltage is regulated to the final value ending the soft start charge cycle.

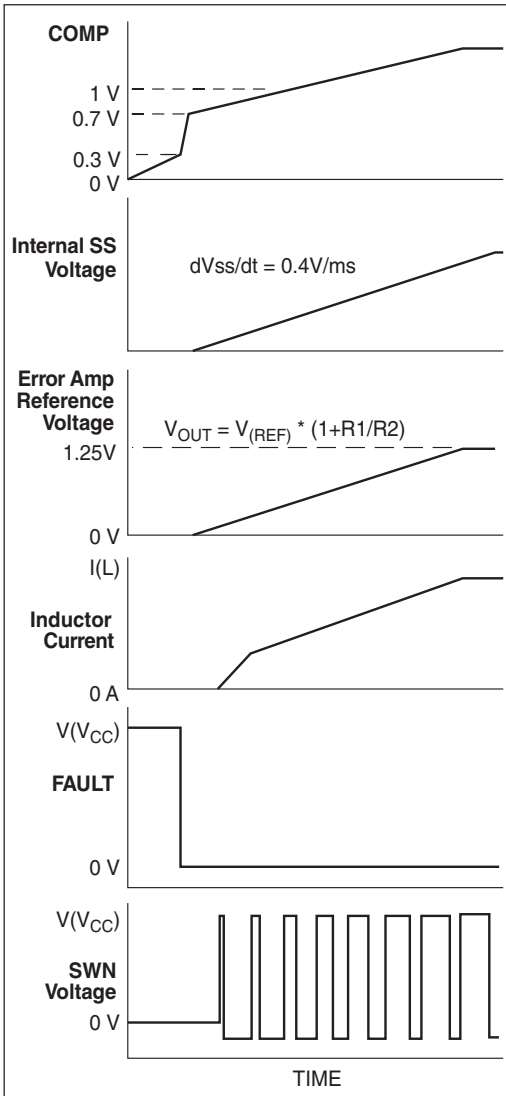


Figure 1. SP6121 Soft Start Waveforms

Hiccup Mode

When the converter enters a fault mode, the SP6121 holds the high side and low side MOSFETs off for a finite period of time. Provided that the SP6121 is enabled, this time is set by the internal charge of the SS capacitor. In the event of an over-current condition, the current sense comparator sets the fault latch, which in turn discharge the internal SS capacitor, the COMP pin and holds the output drivers off. During this condition, the SP6121 stays off for the time it takes to discharge the COMP pin down below the 0.3V shutdown threshold. As soon as the COMP pin reaches 0.3V, the fault latch is reset and the SP6121 is allowed to attempt restart just like during a normal soft start cycle. The COMP pin has to charge back to 1V before any output switching can take place. At this point, the regulator attempts to restart normally by delivering short gate pulses to the output switches. If the over-current condition persists, the regulator will be kept off for the total time that it takes to charge the internal soft-start capacitor to within 1V from the input supply voltage V_{CC} plus the time required by the COMP voltage to cross the 1V threshold. This total time is typically several milli-seconds and minimizes thermal stress to the regulator components as the over-current condition persists.

The waveforms that describe the hiccup mode operation are shown in Figure 2.

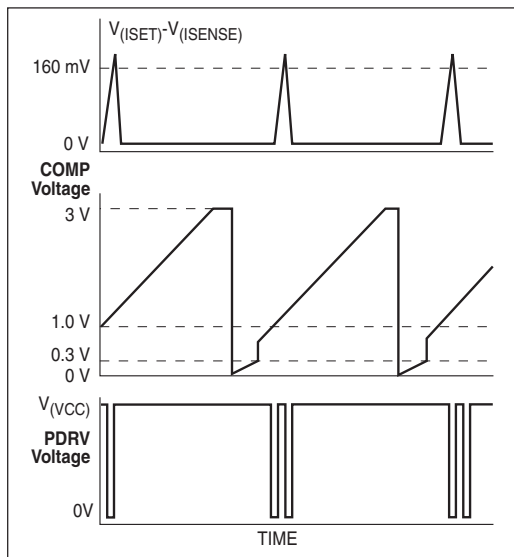


Figure 2. SP6121 Hiccup mode waveforms

Over Current Protection

Over current protection on the SP6121 is implemented through detection of an excess voltage condition across the high side PMOS switch during conduction. This is typically referred to as high side $R_{DS(ON)}$ detection and eliminates the need of an external sense resistor. The over current comparator charges an internal sampling capacitor each time $V_{(ISET)} - V_{(ISENSE)}$ exceeds the 160mV (typ) internal threshold and the PDRV voltage is low. The discharge/charge current ratio on the sampling capacitor is about 2%. Therefore, provided that the over current condition persists, the capacitor voltage will be pumped up during each time PDRV switches low. This voltage will trigger an over current condition upon reaching a CMOS inverter threshold. There are many advantages to this approach. First, the filtering action of the gated S/H scheme protects against false and undesirable triggering that could occur during a minor transient overload condition or supply line noise. Furthermore, the total amount of time to trigger the fault depends on the on-time of the PMOS switch. Ten, 1 μ s pulses are equivalent to twenty, 500ns pulses or one, 10 μ s pulse, however, depending on the period, each scenario takes a different amount of total time to trigger a fault. Therefore, the fault becomes an indicator of average power in the PMOS switch.

Although the 160 mV internal threshold is fixed, the overall $R_{DS(ON)}$ detection voltage can be increased by placing a resistor from I_{SET} to the source of the PMOS. A 30 μ A sink current programs the additional voltage.

In order for the current limit circuit to operate properly and accurately, the I_{SET} and I_{SENSE} pins must be Kelvin connected to the high side PMOS's source and drain pins.

The 160mV threshold and 30 μ A I_{SET} current have 3300 ppm/ $^{\circ}$ C temperature coefficients in an effort to first order match the thermal characteristics of the $R_{DS(ON)}$ of the PMOS switch. It is assumed that the SP6121 will be used in compact designs where there is a high amount of thermal coupling between the PMOS and the controller.

Output Drivers

The SP6121, unlike some other bipolar controller IC's, incorporates gate drivers with rail-to-rail swing that help prevent spurious turn on due to capacitive coupling. The driver stage consists of one high side PMOS, 4 Ω driver, PDRV, and one low side, 4 Ω , NFET driver, NDRV, optimized for driving external power MOSFET's in a synchronous buck topology. The output drivers also provide gate drive non-overlap mechanism that provides a dead time between PDRV and NDRV transitions to avoid potential shoot-through problems in the external MOSFET's.

Figure 3 shows typical waveforms for the output drivers. As with all synchronous designs, care must be taken to ensure that the MOSFETs are properly chosen for non-overlap time, enhancement gate drive voltage, "on" resistance $R_{DS(ON)}$, reverse transfer capacitance C_{rss} , input voltage and maximum output current.

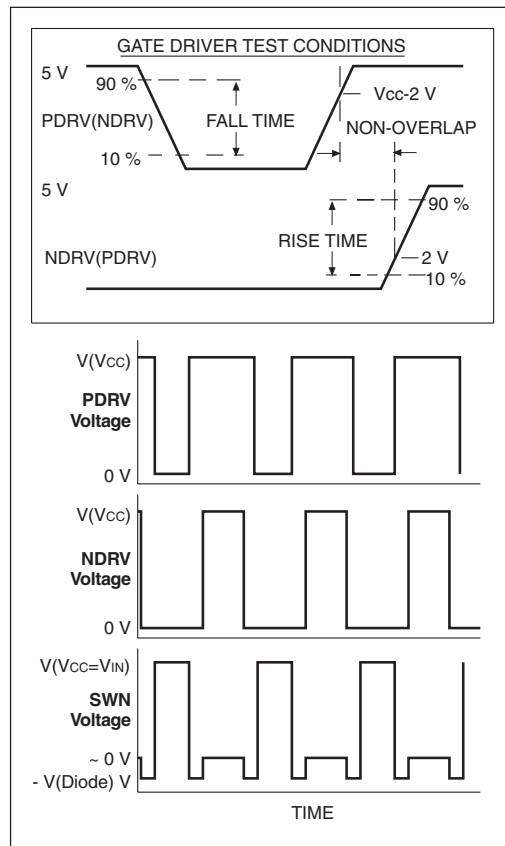


Figure 3. SP6121 Output Driver Waveforms.

Inductor Selection

There are many factors to consider in selecting the inductor including cost, efficiency, size and EMI. In a typical SP6121 circuit, the inductor is chosen primarily for value, saturation current and DC resistance. Increasing the inductor value will decrease output voltage ripple, but degrade transient response. Low inductor values provide the smallest size, but cause large ripple currents, poor efficiency and more output capacitance to smooth out the larger ripple current. The inductor must also be able to handle the peak current at the switching frequency without saturating, and the copper resistance in the winding should be kept as low as possible to minimize resistive power loss. A good compromise between size, loss and cost is to set the inductor ripple current to be within 20% to 40% of the maximum output current.

The switching frequency and the inductor operating point determine the inductor value as follows:

$$L = \frac{V_{OUT} (V_{IN(max)} - V_{OUT})}{V_{IN(max)} F_S K_r I_{OUT(max)}}$$

where;

F_S = switching frequency

K_r = ratio of the peak to peak inductor ripple current to the maximum output current

The peak to peak inductor ripple current is:

$$I_{PP} = \frac{V_{OUT} (V_{IN(max)} - V_{OUT})}{V_{IN(max)} F_S L}$$

Once the required inductor value is selected, the proper selection of core material is based on peak inductor current and efficiency requirements. The core material must be large enough not to saturate at the peak inductor current

$$I_{PEAK} = I_{OUT(max)} + \frac{I_{PP}}{2}$$

and provide low core loss at the high switching frequency. Low cost powdered iron cores have a gradual saturation characteristic but can intro-

duce considerable ac core loss, especially when the inductor value is relatively low and the ripple current is high. Ferrite materials, on the other hand, are more expensive and have an abrupt saturation characteristic with the inductance dropping sharply when the peak design current is exceeded. Nevertheless, they are preferred at high switching frequencies because they present very low core loss and the design only needs to prevent saturation.

The power dissipated in the inductor is equal to the sum of the core and copper losses. To minimize copper losses, the winding resistance needs to be minimized, but this usually comes at the expense of a larger inductor. Core losses have a more significant contribution at low output current where the copper losses are at a minimum, and can typically be neglected at higher output currents where the copper losses dominate. Core loss information is usually available from the magnetic vendor.

The copper loss in the inductor can be calculated using the following equation:

$$P_{L(Cu)} = I_{L(RMS)}^2 R_{WINDING}$$

where $I_{L(RMS)}$ is the RMS inductor current that can be calculated as follows:

$$I_{L(RMS)} = I_{OUT(max)} \sqrt{1 + \frac{1}{3} \left(\frac{I_{PP}}{I_{OUT(max)}} \right)^2}$$

Output Capacitor Selection

The required ESR (Equivalent Series Resistance) and capacitance drive the selection of the type and quantity of the output capacitors. The ESR must be small enough that both the resistive voltage deviation due to a step change in the load current and the output ripple voltage do not exceed the tolerance limits expected on the output voltage. During an output load transient, the output capacitor must supply all the additional current demanded by the load until the SP6121 adjusts the inductor current to the new value. Therefore the capacitance must be large enough so that the output voltage is held up

while the inductor current ramps up or down to the value corresponding to the new load current. Additionally, the ESR in the output capacitor causes a step in the output voltage equal to the ESR value multiplied by the change in load current. Because of the fast transient response provided by the SP6121 when exposed to output load transient, the output capacitor is typically chosen for ESR, not for capacitance value.

The output capacitor's ESR, combined with the inductor ripple current, is typically the main contributor to output voltage ripple. The maximum allowable ESR required to maintain a specified output voltage ripple can be calculated by:

$$R_{ESR} \leq \frac{\Delta V_{OUT}}{I_{PP}}$$

where;

ΔV_{OUT} = peak to peak output voltage ripple

I_{PP} = peak to peak inductor ripple current

The total output ripple is a combination of the ESR and the output capacitance value and can be calculated as follows:

$$\Delta V_{OUT} = \sqrt{\left(\frac{I_{PP}(1-D)}{C_{OUT}F_S}\right)^2 + (I_{PP}R_{ESR})^2}$$

where;

D = duty cycle equal to V_{OUT}/V_{IN}

C_{OUT} = output capacitance value

Recommended capacitors that can be used effectively in SP6121 applications are: low-ESR aluminum electrolytic capacitors, OS-CON capacitors that provide a very high performance/size ratio for electrolytic capacitors and low-ESR tantalum capacitors. AVX TPS series and Kemet T510 surface mount capacitors are popular tantalum capacitors that work well in SP6121 applications. POSCAP from Sanyo is a solid electrolytic chip capacitor that has low ESR and high capacitance. For the same ESR value, POSCAP has lower profile compared with tantalum capacitor.

Panasonic offers the SP series of specialty polymer aluminum electrolytic surface mount capacitors. These capacitors have a lower ESR than tantalum capacitors, reducing the total number of capacitance required for a given transient response.

Input Capacitor Selection

The input capacitor should be selected for ripple current rating, capacitance and voltage rating. The input capacitor must meet the ripple current requirement imposed by the switching current. In continuous conduction mode, the source current of the high-side MOSFET is approximately a square wave of duty cycle V_{OUT}/V_{IN} . Most of this current is supplied by the input bypass capacitors. The RMS value of input capacitor current is determined at the maximum output current and under the assumption that the peak to peak inductor ripple current is low, it is given by:

$$I_{CIN(rms)} = I_{OUT(max)} \sqrt{D(1-D)}$$

The worse case occurs when the duty cycle D is 50% and gives an RMS current value equal to $I_{OUT}/2$. Select input capacitors with adequate ripple current rating to ensure reliable operation.

The power dissipated in the input capacitor is:

$$P_{CIN} = I_{CIN(rms)}^2 R_{ESR(CIN)}$$

This can become a significant part of power losses in a converter and reduce the overall energy transfer efficiency.

The input voltage ripple primarily depends on the input capacitor ESR and capacitance. Ignoring the inductor ripple current, the input voltage ripple can be determined by:

$$\Delta V_{IN} = I_{OUT(MAX)}R_{ESR(CIN)} + \frac{I_{OUT(MAX)}V_{OUT}(V_{IN} - V_{OUT})}{F_S C_{IN} V_{IN}^2}$$

The capacitor type suitable for the output capacitors can also be used for the input capacitors. However, exercise extra caution when tantalum capacitors are considered. Tantalum capacitors are known for catastrophic failure when exposed to surge current, and input capacitors are prone to such surge current when power

supplies are connected ‘live’ to low impedance power sources. Certain tantalum capacitors, such as AVX TPS series, are surge tested. For generic tantalum capacitors, use 2:1 voltage derating to protect the input capacitors from surge fall-out.

MOSFET Selection

The SP6121 drives a PMOS MOSFET on the high side and an NMOS MOSFET synchronous rectifier on the low side. Using a PMOS switch on the high side negates the need for an external charge pump and simplifies the application circuit.

The losses associated with MOSFETs can be divided into conduction and switching losses. Conduction losses are related to the on resistance of MOSFETs, and increase with the load current. Switching losses occur on each on/off transition when the MOSFETs experience both high current and voltage. Since the bottom MOSFET switches current from/to a paralleled diode (either its own body diode or a Schottky diode), the voltage across the MOSFET is no more than 1V during switching transition. As a result, its switching losses are negligible. The switching losses are difficult to quantify due to all the variables affecting turn on/off time. However, making the assumption that the turn on and turn off transition times are equal, the transition time can be approximated by:

$$t_T = \frac{C_{ISS}V_{IN}}{I_G}$$

where;

C_{ISS} is the PMOS’s input capacitance, or the sum of the gate-to-source capacitance, C_{GS}, and the drain-to-gate capacitance, C_{GD}. This parameter can be directly obtained from the MOSFET’s data sheet I_G is the gate drive current provided by the SP6121 (approximately 1A at V_{IN}=5V) and V_{IN} is the input supply voltage.

Therefore an approximate expression for the switching losses associated with the high side MOSFET can be given as:

$$P_{SH(max)} = (V_{IN(max)} + V_F)I_{OUT(max)}t_TF_S$$

where;

t_T = the switching transition time

V_F = free wheeling diode drop

Switching losses need to be taken into account for high switching frequency, since they are directly proportional to switching frequency. The conduction losses associated with top and bottom MOSFETs are determined by

$$P_{CH(max)} = R_{DS(ON)}I_{OUT(max)}^2D$$

$$P_{CL(max)} = R_{DS(ON)}I_{OUT(max)}^2(1 - D),$$

where;

P_{CH(max)} = conduction losses of the high side MOSFET

P_{CL(max)} = conduction losses of the low side MOSFET

R_{DS(ON)} = drain to source on resistance.

The total power losses of the top MOSFET are the sum of switching and conduction losses. For synchronous buck converters of efficiency over 90%, allow no more than 4% power losses for high or low side MOSFETs. For input voltages of 3.3V and 5V, conduction losses often dominate switching losses. Therefore, lowering the R_{DS(ON)} of the MOSFETs always improves efficiency even though it gives rise to higher switching losses due to increased C_{ISS}.

Total gate charge is the charge required to turn the MOSFETs on and off under the specified operating conditions (V_{GS} and V_{DS}). The gate charge is provided by the SP6121 gate drive circuitry. (At 500kHz switching frequency, the gate charge is the dominant source of power dissipation in the SP6121.) At low output levels, this power dissipation is noticeable as a reduction in efficiency. The average current required to drive the high side and low side MOSFETs is:

$$I_{G(av)} = Q_{GH}F_S + Q_{GL}F_S,$$

where;

Q_{GH} = gate charge of PMOS

Q_{GL} = gate charge of NMOS

Considering that the gate charge current comes from the input supply voltage V_{IN}, the power dissipated in the SP6121 due to the gate drive is:

$$P_{GATE DRIVE} = V_{IN}I_{G(av)}$$

R_{DS(ON)} varies greatly with the gate driver voltage. The MOSFET vendors often specify R_{DS(ON)} on multiple gate to source voltages (V_{GS}), as

well as provide typical curve of $R_{DS(ON)}$ versus V_{GS} . For 5V input, use the $R_{DS(ON)}$ specified at 4.5V V_{GS} . At the time of this publication, vendors, such as Fairchild, Siliconix and International Rectifier, have started to specify $R_{DS(ON)}$ at V_{GS} less than 3V. This has provided necessary data for designs in which these MOSFETs are driven with 3.3V and made it possible to use SP6121 in 3.3V only applications.

Thermal calculation must be conducted to ensure the MOSFET can handle the maximum load current. The junction temperature of the MOSFET, determined as follows, must stay below the maximum rating.

$$T_{J(max)} = T_{A(max)} + \frac{P_{MOSFET(max)}}{R_{\theta JA}}$$

where;

$T_{A(max)}$ = maximum ambient temperature

$P_{MOSFET(max)}$ = maximum power dissipation of the MOSFET

$R_{\theta JA}$ = junction to ambient thermal resistance.

$R_{\theta JA}$ of the device depends greatly on the board layout, as well as device package. Significant thermal improvement can be achieved in the maximum power dissipation through the proper design of copper mounting pads on the circuit board. For example, in a SO-8 package, placing two 0.04 square inches copper pad directly under the package, without occupying additional board space, can increase the maximum power from approximately 1 to 1.2W. For DPAK package, enlarging the tap mounting pad to 1 square inches reduces the $R_{\theta JA}$ from 96°C/W to 40°C/W.

Schottky Diode Selection

When paralleled with the bottom MOSFET, an optional Schottky diode can improve efficiency and reduce noise. Without this Schottky diode, the body diode of the bottom MOSFET conducts the current during the non-overlap time when both MOSFETs are turned off. Unfortunately, the body diode has high forward voltage and reverse recovery problem. The reverse recovery of the body diode causes additional switching noises when the diode turns off. The

Schottky diode alleviates this noise and additionally improves efficiency thanks to its low forward voltage. The reverse voltage across the diode is equal to input voltage, and the diode must be able to handle the peak current equal to the maximum load current.

The power dissipation of the Schottky diode is determined by

$$P_{DIODE} = 2V_F I_{OUT} T_{NOL} F_S$$

where;

T_{NOL} = non-overlap time between PDRV and NDRV.

V_F = forward voltage of the Schottky diode.

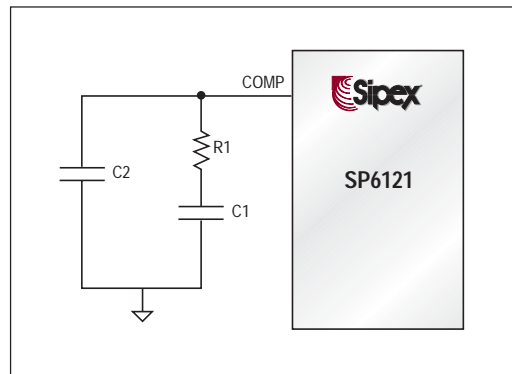


Figure 4. The RC network connected to the COMP pin provides a pole and a zero to control loop.

Loop Compensation Design

The goal of loop compensation is to manipulate loop frequency response such that its gain crosses over 0db at a slope of -20db/dec. The SP6121 has a trans-conductance error amplifier and requires the compensation network to be connected between the COMP pin and ground, as shown in Figure 4.

The first step of compensation design is to pick the loop crossover frequency. High crossover frequency is desirable for fast transient response, but often jeopardize the system stability. Crossover frequency should be higher than the ESR zero but less than 1/5 of the switching frequency. The ESR zero is contributed by the ESR

associated with the output capacitors and can be determined by

$$f_{Z(ESR)} = \frac{1}{2\pi C_{OUT}R_{ESR}}$$

Crossover frequency of 20kHz is a sound first try if low ESR tantalum capacitors or poscaps are used at the output. The next step is to calculate the complex conjugate poles contributed by the LC output filter,

$$f_{P(LC)} = \frac{1}{2\pi\sqrt{LC_{OUT}}}$$

The open loop gain of the whole system can be divided into the gain of the error amplifier, PWM modulator, buck converter, and feedback resistor divider. In order to crossover at the selected frequency f_{co} , the gain of the error amplifier has to compensate for the attenuation caused by the rest of the loop at this frequency. In the RC network shown in Figure 4, the product of R1 and the error amplifier transconductance determines this gain. Therefore, R1 can be determined from the following equation that takes into account the typical error amplifier transconductance, reference voltage and PWM ramp built into the SP6121.

$$R1 = \frac{975V_{OUT}f_{CO}f_{Z(ESR)}}{V_{IN}f_{P(LC)}^2}$$

In Figure 4, R1 and C1 provides a zero f_{Z1} which needs to be placed at or below $f_{P(LC)}$. If f_{Z1} is made equal to $f_{P(LC)}$ for convenience, the value of C1 can be calculated as

$$C1 = \frac{1}{2\pi f_{P(LC)}R1}$$

The optional C2 generates a pole f_{P1} with R1 to cut down high frequency noise for reliable operation. This pole should be placed one decade higher than the crossover frequency to avoid erosion of phase margin. Therefore, the value of the C2 can be derived from

$$C2 = \frac{1}{20\pi f_{CO}R1}$$

Figure 5 illustrates the overall loop frequency response and frequency of each pole and zero.

To fine-tune the compensation, it is necessary to physically measure the frequency response using a network analyzer.

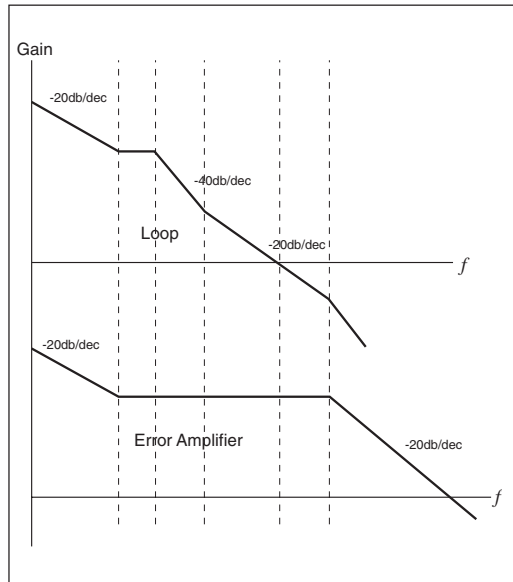


Figure 5. Frequency response of a stable system and its error amplifier.

Overcurrent Protection

Over current protection on the SP6121 is implemented through detection of an excess voltage condition across the high side PMOS switch during conduction. This is typically referred to as high side $R_{DS(ON)}$ detection. By using the $R_{DS(ON)}$ of Q1 to measure the output current, the current limit circuit eliminates the sense resistor that would otherwise be required and the corresponding loss associated with it. This improves the overall efficiency and reduces the number of components in the power path benefiting size and cost. $R_{DS(ON)}$ sensing is by default inaccurate and is primarily meant to protect the power supply during a fault condition. The overcurrent trip point will vary from unit to unit as the $R_{DS(ON)}$ of Q1 varies. The SP6121 provides a built-in 160mV threshold between the I_{SET} and I_{SENSE} pins. If a current limit threshold in excess of 160mV is required, an external programming resistor, R_{SET} can be added between I_{SET} pin and V_{IN} as shown in Figure 6.

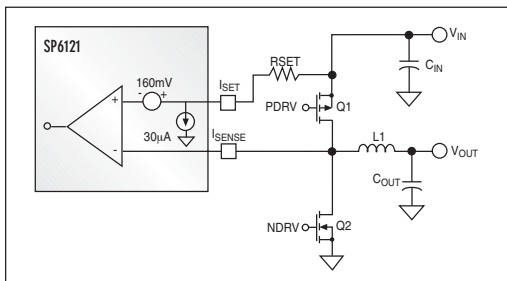


Figure 6. Current Limit Setting

The value of R_{SET} can be properly chosen based on the desired current limit point I_{MAX} and the internal $30\mu A$ pull down current available on the I_{SET} pin according to the following expression:

$$R_{SET} = \frac{I_{MAX}R_{DS(ON)} - 160mV}{I_{SET}}$$

where,

$I_{SET} = 30\mu A$ (typ) sink current from the I_{SET} pin.

Kelvin-Sense connections should be made directly at the drain and source of Q1.

The $R_{DS(ON)}$ sensing scheme implemented in the SP6121 provides two additional features that enhance the performance of the overcurrent function. First, an internal sample and hold filter connected after the main current-sense comparator, prevents that noise spikes or very short and mild overload conditions, that could occur during a load transient, spuriously activate the current limit circuitry. This typically eliminates the need of using any external filtering that would be otherwise required. Additionally, since the $R_{DS(ON)}$ has a positive temperature coefficient,

both the $30\mu A$ sink current present at the I_{SET} pin and the $160mV$ built-in current limit threshold have been designed with a positive temperature coefficient of about $0.33\%/C$ to provide first order correction for current limit versus temperature. This compensation relies on the high amount of thermal coupling that typically exists between the high side switch Q1 and the SP6121 due to the compact size of the power supply. With this first order compensation, the current limit trip point does not need to be set to an increased level at room temperature to guarantee a desired output current level at higher temperatures.

Output Voltage Program

As shown in Figure 7(A), the voltage divider connecting to the V_{FB} pin programs the output voltage according to

$$V_{OUT} = 1.25 \left(1 + \frac{R1}{R2} \right)$$

where $1.25V$ is the internal reference voltage. Select $R2$ in the range of $10k$ to $100k$, and $R1$ can be calculated using

$$R1 = \frac{R2(V_{OUT} - 1.25)}{1.25}$$

For output voltage less than $1.25V$, a simple circuit shown in Figure 7(B) can be used in which V_{REF} is an external voltage reference greater than $1.25V$. For simplicity, use the same resistor value for $R1$ and $R2$, then $R3$ is determined as follows,

$$R3 = \frac{(V_{REF} - 1.25)R1}{2.5V - V_{OUT}}$$

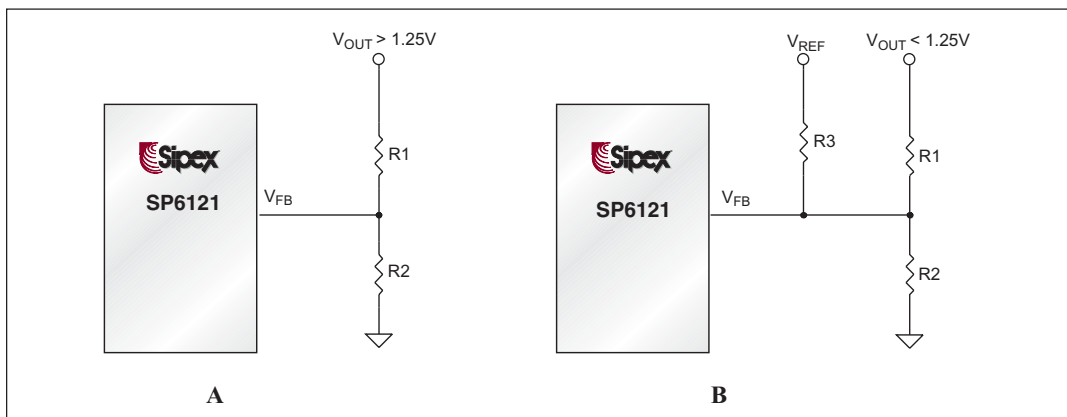
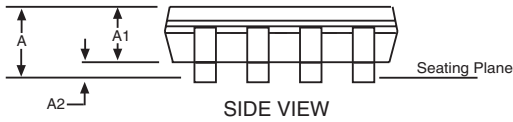
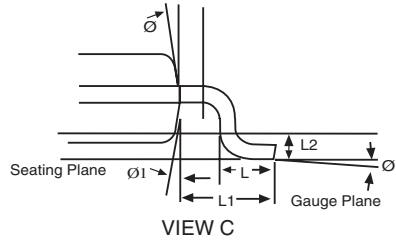
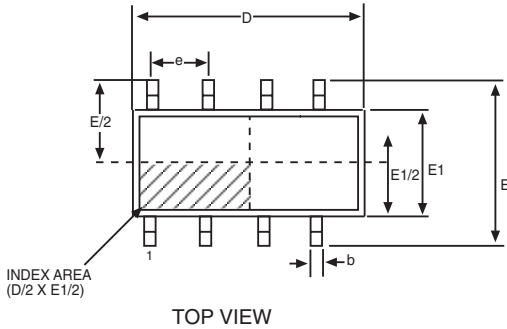


Figure 7(A) A voltage divider connected to the V_{FB} pin programs the output voltage. (B) A simple circuit using one external voltage reference programs the output voltages less than $1.25V$.

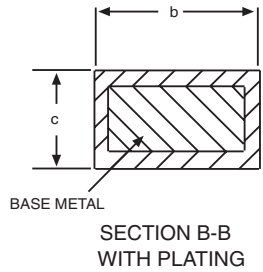
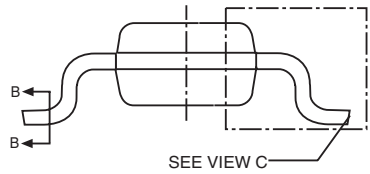
PCB layout plays a critical role in proper function of the converters and EMI control. In switch mode power supplies, loops carrying high di/dt give rise to EMI and ground bounces. The goal of layout optimization is to identify these loops and minimize them. It is also crucial on how to connect the controller ground such that its operation is not affected by noise. The following guideline should be followed to ensure proper operation.

1. A ground plane is recommended for minimizing noises, copper losses and maximizing heat dissipation.
2. Begin the layout by placing the power components first. Orient the power circuitry to achieve a clean power flow path. If possible make all the connections on one side of the PCB with wide, copper filled areas.
3. Connect the ground of feedback divider and compensation components directly to the GND pin of the IC using a dedicated ground trace. Then connect this pin as close as possible to the ground of the output capacitor.
4. The V_{CC} bypass capacitor should be right next to the V_{CC} and GND pins.
5. The trace connecting the feedback resistors to the output should be short, direct and far away from the switch node, and switching components.
6. Minimize the trace between PDRV/NDRV and the gates of the MOSFETs to reduce the impedance driving the MOSFETs. This is especially important for the bottom MOSFET that tends to turn on through its Miller capacitor when the switch node swings high.
7. Minimize the loop composed of input capacitors, top/bottom MOSFETs and Schottky diode. This loop carries high di/dt current. Also increase the trace width to reduce copper losses.
8. Maximize the trace width of the loop connecting the inductor, output capacitors, Schottky diode and bottom MOSFET.
9. I_{SET} and I_{SENSE} connections to Q1 for current limiting must be made using Kelvin connections.



8 Pin NSOIC JEDEC MO-012 (AA) Variation			
SYMBOL	MIN	NOM	MAX
A	1.35	-	1.75
A1	0.1	-	0.25
A2	1.25	-	1.65
b	0.31	-	0.51
c	0.17	-	0.24
D	4.90 BSC		
E	6.00 BSC		
E1	3.90 BSC		
e	1.27 BSC		
L	0.4	-	1.27
L1	1.04 REF		
L2	0.25 BSC		
Ø	0°	-	8°
Ø1	5°	-	15°

Note: Dimensions in (mm)



ORDERING INFORMATION

Part Number	Operating Temperature Range	Package Type
SP6121CN	0°C to +70°C	8-Pin nSOIC
SP6121CN/TR	0°C to +70°C	8-Pin nSOIC

Available in lead free packaging. To order add "-L" suffix to part number.

Example: SP6121CN/TR = standard; SP6121CN-L/TR = lead free

/TR = Tape and Reel

Pack quantity is 2,500 for NSOIC.



ANALOG EXCELLENCE

Sipex Corporation

**Headquarters and
Sales Office**
233 South Hillview Drive
Milpitas, CA 95035
TEL: (408) 934-7500
FAX: (408) 935-7600

Sipex Corporation reserves the right to make changes to any products described herein. Sipex does not assume any liability arising out of the application or use of any product or circuit described herein; neither does it convey any license under its patent rights nor the rights of others.