

Power Resistors for Mounting onto a Heatsink Thick Film Technology



FEATURES

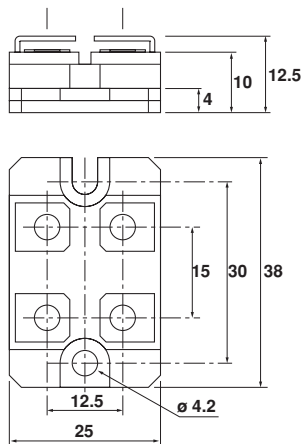
- Up to 4 different ohmic values in the same case
- 1% tolerance available
- High power rating
- Wide ohmic value range
- Non inductive
- Easy mounting
- Low thermal radiation of the case
- Standard Isotop case (SOT 227 B)

This series of thick film power resistors include modules which can incorporate up to 4 different resistor values in the same SOT 227B package. Two types of terminations are available along with a 4 terminal device for measurement applications in the case of the single resistor version. This product range benefits from Vishay Sfernice's experience in thick film power resistor technology i.e high power: volume ratio, low tolerance or individual resistors and excellent overload capabilities (due to the trimming technique).

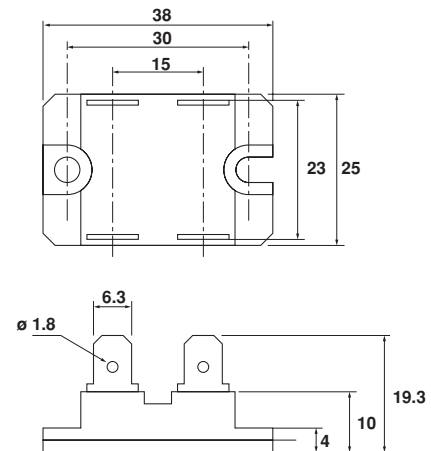
DIMENSIONS in millimeters

RTOP

V Connections



F Connections ("Faston" type)



• Tolerances unless otherwise specified: $\pm 0.3\text{mm}$

MECHANICAL SPECIFICATIONS

Mechanical Protection	Insulated case
Substrate	Alumina on insulated base (excluding QRTOP series)
Resistive Element	Cermet
End Connections	V connections: screw M4 x 6 F connections: Faston type
Tightening Torque Connections	1 Nm
Tightening Torque Heatsink	2 Nm

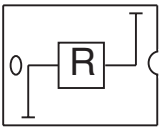
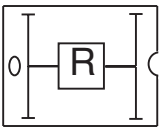
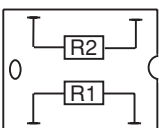
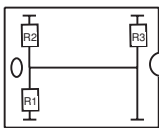
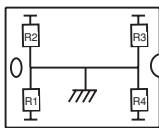
ENVIRONMENTAL SPECIFICATIONS

Temperature Range	- 55°C to + 125°C
Climatic Category	55/125/56

ELECTRICAL SPECIFICATIONS

Resistance Range	0.046 to 1M Ω
Standard Tolerance	$\pm 1\%$ to $\pm 10\%$
Power Rating	20W to 200W at + 25°C
Temperature Coefficient	
Standard	$\pm 300\text{ ppm}/^\circ\text{C}$ (R < 1) $\pm 150\text{ ppm}/^\circ\text{C}$ (R > 1)
Insulation Resistance	> 10 ⁶ M Ω

PERFORMANCE		
TESTS	CONDITIONS	TYPICAL DRIFTS
Momentary Overload	2.5Pn/5 seconds	< ± (0.25% ± 0.05Ω)
Rapid Temperature Change	5 cycles - 55°C +125°C	< ± (0.25% ± 0.05Ω)
Load Life	Pn at 25°C 1000 hours	< ± (0.5% ± 0.05Ω)
Humidity (steady state)	56 days 95% R.H.	< ± (0.5% ± 0.05Ω)

SPECIAL FEATURES								
MODEL	RTOP 200	RTOP 100	DRTOP 100	DRTOP 50	TRTOP 40	TRTOP 30	QRTOP 35	QRTOP 20
Power Rating at + 25°C chassis mounted resistors unmounted resistors	200W 5W	100W 5W	100W 3.5W	50W 3.5W	40W 2W	30W 2W	35W 1.5W	20W 1.5W
Thermal Resistance (per resistor)	0.5°C/W	1°C/W	0.5°C/W	1°C/W	0.83°C/W	1.11°C/W	0.71°C/W	1.25°C/W
Limiting Voltage	1500V	1500V	500V	500V	300V	300V	300V	300V
Dielectric Strength connections/chassis	2500V	2500V	2500V	2500V	2500V	2500V	base = common	
Dielectric Strength connections/resistors	-	-	4000V	4000V	4000V	4000V	4000V	4000V
Ohmic Value Range	0.046 to 1MΩ		0.092 to 1MΩ		0.046 to 1MΩ		0.046 to 1MΩ	
Tolerance	± 1% to ± 10%		± 1% to ± 10%		± 1% to ± 10%		± 1% to ± 10%	
Electrical Diagrams	  Shunt Version						 Grounded base	

**CHOICE OF HEATSINK**

The user must choose the heatsink according to the working conditions of the component (power, room temperature).

Maximum working temperature must not exceed 125°C. The dissipated power is simply calculated by the following ratio:

$$P = \frac{\Delta T}{[R_{TH} (j-c) + R_{TH} (c-a)]} \quad (1)$$

P: expressed in W

ΔT : difference between maximum working temperature and room temperature.

$R_{TH} (j-c)$: thermal resistance value measured between resistive layer and outer side of the resistor. It is the thermal resistance of the component (see Table Special Features).

$R_{TH} (c-a)$: thermal resistance value measured between outer side of the resistor and room temperature. It is the thermal resistance of the heatsink depending on the heatsink itself (type, shape) and the quality of the fastening device.

Example:

$R_{TH} (c-a)$ for RTOP 200 power rating 130W at ambient temperature + 30°C.

Thermal resistance (see table 1) $R_{TH} (j-c)$: 0.5°C/W

$$\Delta T \leq 125^\circ\text{C} - 30^\circ\text{C} = 95^\circ\text{C}$$

$$R_{TH} (j-c) + R_{TH} (c-a) = \frac{\Delta T}{P} = \frac{95}{130} = 0.73^\circ\text{C/W}$$

$$R_{TH} (j-c) \leq 0.5^\circ\text{C/W}$$

$$R_{TH} (c-a) \leq 0.73^\circ\text{C/W} - 0.5^\circ\text{C/W} = 0.23^\circ\text{C/W}$$

RECOMMENDATIONS FOR MOUNTING ONTO A HEATSINK

Surfaces in contact must be carefully cleaned.

The heatsink must have an acceptable flatness: from 0.05mm to 0.1mm/100mm.

Roughness of the heater must be around 6.3 μ m.

In order to improve thermal conductivity, surfaces in contact (alumina, heatsink) are laid on with a silicone grease (type SI 340 from Rhône-Poulenc or Dow 340 from Dow Corning).

Tightening torque on heater: 2 Nm

For the electrical connections, it is recommended to use M4 x 6 screws and if necessary a washer of 1mm thickness. The recommended screw tightening torque is 1 Nm.

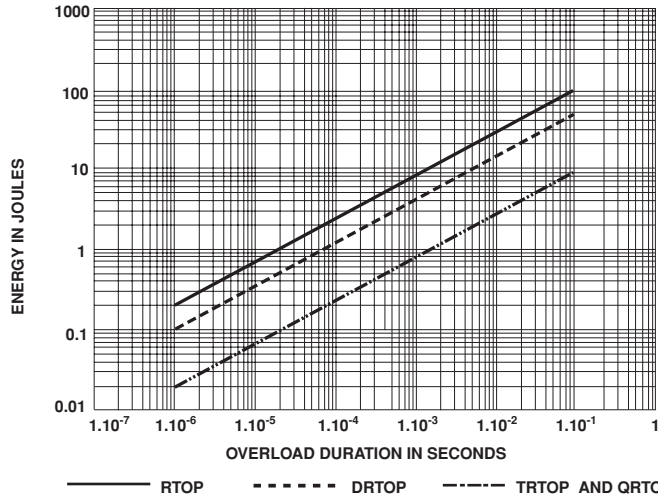


OVERLOADS

The applied power is 2.5 x rated power for 5 s with a max voltage of 2 x nominal voltage.

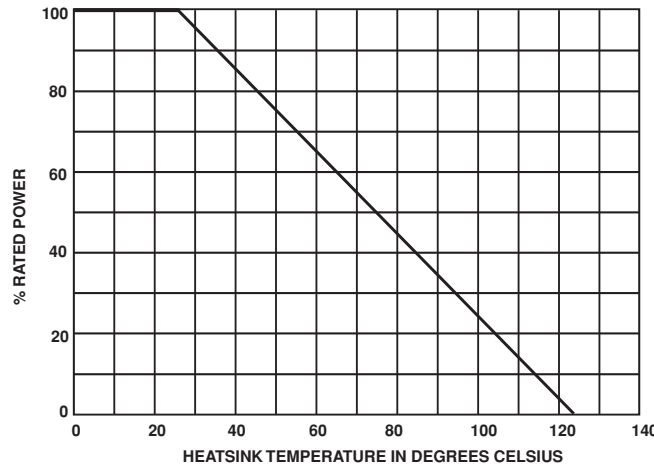
Accidental overload: The values indicated in the graph below are applicable to resistors in air or mounted onto a heatsink. In case of multi-resistor devices, (DRTOP, TRTOP and QRTOP) the results apply to each resistor value in the device.

ENERGY CURVE



POWER RATING CHART

The temperature of the heater should be maintained in the limit specified. To improve the thermal conductivity, surfaces in contact should be laid on with a silicon grease and the torque applied on the screw for tightening should be around 2 Nm.



MARKING

Series, style, ohmic value (in Ω), tolerance (in %), manufacturing date, VISHAY trade mark.

ORDERING INFORMATION						
RTOP	200	3.2	$\pm 1\%$	$\pm \%$	V	
		R1	T1	R2	T2	
MODEL	STYLE	OHMIC VALUE	ABSOLUTE TOLERANCE PER RESISTOR		CONNECTIONS	CUSTOM DESIGN
RTOP	100		Optional	To be precise	V: Screw	Optional
DRTOP	50		$\pm 1\%$	for each	F: "Faston" type	
TRTOP	40		$\pm 2\%$	resistor	VS} RTOP	
QRTOP	30		$\pm 5\%$		FS} Shunt	
	35		$\pm 10\%$			
	20					