

REVISIONS			
LTR	DESCRIPTION	DATE (YR-MO-DA)	APPROVED
A	Add case outlines T and U. Add vendors CAGE 69210 and U4637. Change limits for line regulation, load regulation tests and standby current drain test at temperature. Add temperature testing limit for Ripple rejection test.	89-08-08	M. A. FRYE
B	Add case outline 2. Editorial changes throughout.	92-03-30	M. A. FRYE
C	Add case outline N. Remove vendor CAGE 48726. Change vendor CAGE U4637 to U3158. Editorial changes throughout.	96-01-17	M. A. FRYE
D	Add CAGE 27851 and case outline M. Make changes to 1.2.2, 1.3, 1.4, table I, figure 1, and figure 2. - ro	99-12-01	R. MONNIN

THE ORIGINAL FIRST SHEET OF THIS DRAWING HAS BEEN REPLACED.

REV																				
SHEET																				
REV	D	D																		
SHEET	15	16																		

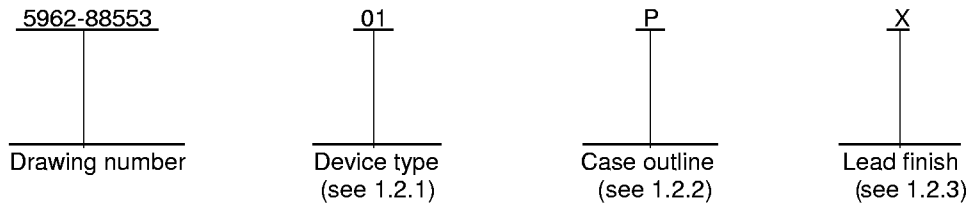
REV STATUS OF SHEETS	REV	D	D	D	D	D	D	D	D	D	D	D	D	D	D	D	D	D	D
	SHEET	1	2	3	4	5	6	7	8	9	10	11	12	13	14				

PMIC N/A	PREPARED BY JOSEPH A. KERBY	<b>DEFENSE SUPPLY CENTER COLUMBUS COLUMBUS, OHIO 43216</b>																	
<b>STANDARD MICROCIRCUIT DRAWING</b>	CHECKED BY CHARLES E. BESORE																		
	APPROVED BY MICHAEL A. FRYE	<b>MICROCIRCUIT, LINEAR, POSITIVE 15 VOLT REGULATOR, FIXED, MONOLITHIC SILICON</b>																	
	DRAWING APPROVAL DATE 88-07-28																		
	AMSC N/A	REVISION LEVEL D	SIZE A	CAGE CODE <b>67268</b>	<b>5962-88553</b>														
			SHEET 1 OF 16																

1. SCOPE

1.1 Scope. This drawing describes device requirements for MIL-STD-883 compliant, non-JAN class level B microcircuits in accordance with MIL-PRF-38535, appendix A.

1.2 Part or Identifying Number (PIN). The complete PIN is as shown in the following example:



1.2.1 Device type(s). The device type(s) identify the circuit function as follows:

<u>Device type</u>	<u>Generic number</u>	<u>Circuit function</u>
01	7815A	Positive regulator, 15 volt fixed

1.2.2 Case outline(s). The case outline(s) are as designated in MIL-STD-1835 and as follows:

<u>Outline letter</u>	<u>Descriptive designator</u>	<u>Terminals</u>	<u>Package style</u>
M	See figure 1	3	Power surface mount
N	See figure 1	3	Power surface mount
T	See figure 1	3	TO-257 flange mounted and glass sealed
U	See figure 1	3	TO-257 flange mounted with isolated tab and glass sealed
X	See figure 1	3	TO-39 can
Y	See figure 1	2	TO-3 can
Z	MBFM4-P2	2	TO-66 can
2	CQCC1-N20	20	Square leadless chip carrier

1.2.3 Lead finish. The lead finish is as specified in MIL-PRF-38535, appendix A.

1.3 Absolute maximum ratings.

Input voltage:

Operating or output shorted to ground ..... 35 V dc  
 Transient ..... 50 V dc <sup>1/</sup>

Power dissipation (P<sub>D</sub>):

T<sub>C</sub> = +25°C:

Case M ..... 18 W  
 Cases N, T, U, and Z ..... 15 W  
 Cases X and 2 ..... 2 W  
 Case Y ..... 20 W

<sup>1/</sup> The 50 volt input rating refers to the ability of the regulator to withstand high line or transient conditions without damage. Since the regulator's maximum current capability is reduced, the output may fall out of regulation at high input voltages under nominal loading.

<b>STANDARD MICROCIRCUIT DRAWING</b> DEFENSE SUPPLY CENTER COLUMBUS COLUMBUS, OHIO 43216-5000	SIZE <b>A</b>	<b>5962-88553</b>
	REVISION LEVEL <b>D</b>	SHEET <b>2</b>

1.3 Absolute maximum ratings.

Power dissipation (P<sub>D</sub>) Continued.

T<sub>A</sub> = +25°C:

Cases M, T, U, and Z .....	3.0 W
Case N .....	1040 mW
Cases X and 2 .....	1.0 W
Case Y .....	4.3 W

Storage temperature range.....-65°C to +150°C

Lead temperature (soldering, 10 seconds)..... +300°C

Junction temperature (T<sub>J</sub>).....+150°C 2/

Thermal resistance, junction-to-case (θ<sub>JC</sub>):

Case M.....	6.7°C/W
Cases N and T .....	3.5°C/W
Case U .....	4.2°C/W
Case X .....	15°C/W
Case Y .....	3°C/W
Case Z.....	6°C/W
Case 2.....	See MIL-STD-1835

Thermal resistance, junction-to-ambient (θ<sub>JA</sub>):

Cases M, T, U, and Z .....	42°C/W
Cases N, X and 2 .....	120°C/W
Case Y .....	29°C/W

1.4 Recommended operating conditions.

Ambient operating temperature range (T<sub>A</sub>) .....-55°C to +125°C

Input voltage range (V<sub>IN</sub>) .....+17.5 V dc to +30 V dc

2. APPLICABLE DOCUMENTS

2.1 Government specification, standards, and handbooks. The following specification, standards, and handbooks form a part of this drawing to the extent specified herein. Unless otherwise specified, the issues of these documents are those listed in the issue of the Department of Defense Index of Specifications and Standards (DoDISS) and supplement thereto, cited in the solicitation.

SPECIFICATION

DEPARTMENT OF DEFENSE

MIL-PRF-38535 - Integrated Circuits, Manufacturing, General Specification for.

<sup>2/</sup> The device is protected by thermal shutdown circuit which is designed to turn off the output transistor whenever the device junction temperature is in excess of +150°C.

<b>STANDARD MICROCIRCUIT DRAWING</b> DEFENSE SUPPLY CENTER COLUMBUS COLUMBUS, OHIO 43216-5000	SIZE <b>A</b>		<b>5962-88553</b>
		REVISION LEVEL <b>D</b>	SHEET <b>3</b>

STANDARDS

DEPARTMENT OF DEFENSE

- MIL-STD-883 - Test Method Standard Microcircuits.
- MIL-STD-973 - Configuration Management.
- MIL-STD-1835 - Interface Standard For Microcircuit Case Outlines.

HANDBOOKS

DEPARTMENT OF DEFENSE

- MIL-HDBK-103 - List of Standard Microcircuit Drawings (SMD's).
- MIL-HDBK-780 - Standard Microcircuit Drawings.

(Unless otherwise indicated, copies of the specification, standards, and handbooks are available from the Standardization Document Order Desk, 700 Robbins Avenue, Building 4D, Philadelphia, PA 19111-5094.)

2.2 Order of precedence. In the event of a conflict between the text of this drawing and the references cited herein, the text of this drawing takes precedence. Nothing in this document, however, supersedes applicable laws and regulations unless a specific exemption has been obtained.

3. REQUIREMENTS

3.1 Item requirements. The individual item requirements shall be in accordance with MIL-PRF-38535, appendix A for non-JAN class level B devices and as specified herein. Product built to this drawing that is produced by a Qualified Manufacturer Listing (QML) certified and qualified manufacturer or a manufacturer who has been granted transitional certification to MIL-PRF-38535 may be processed as QML product in accordance with the manufacturers approved program plan and qualifying activity approval in accordance with MIL-PRF-38535. This QML flow as documented in the Quality Management (QM) plan may make modifications to the requirements herein. These modifications shall not affect form, fit, or function of the device. These modifications shall not affect the PIN as described herein. A "Q" or "QML" certification mark in accordance with MIL-PRF-38535 is required to identify when the QML flow option is used.

3.2 Design, construction, and physical dimensions. The design, construction, and physical dimensions shall be as specified in MIL-PRF-38535, appendix A and herein.

3.2.1 Case outline(s). The case outline(s) shall be in accordance with 1.2.2 herein and figure 1.

3.2.2 Terminal connection(s). The terminal connection(s) shall be as specified on figure 2.

3.3 Electrical performance characteristics. Unless otherwise specified herein, the electrical performance characteristics are as specified in table I and shall apply over the full ambient operating temperature range.

3.4 Electrical test requirements. The electrical test requirements shall be the subgroups specified in table II. The electrical tests for each subgroup are described in table I.

<b>STANDARD MICROCIRCUIT DRAWING</b> DEFENSE SUPPLY CENTER COLUMBUS COLUMBUS, OHIO 43216-5000	SIZE <b>A</b>		<b>5962-88553</b>
		REVISION LEVEL <b>D</b>	SHEET <b>4</b>

TABLE I. Electrical performance characteristics.

Test	Symbol	Conditions <u>1/</u> -55°C ≤ T <sub>A</sub> ≤ +125°C unless otherwise specified	Group A subgroups	Device type	Limits		Unit
					Min	Max	
Output voltage	V <sub>OUT</sub>	T <sub>A</sub> = +25°C	1	01	14.8	15.2	V
		V <sub>IN</sub> = 18.5 V to 30 V <u>2/</u>	1,2,3		14.6	15.4	
Line regulation <u>3/ 4/</u>	V <sub>RLINE</sub>	V <sub>IN</sub> = 17.5 V to 30 V, -55°C ≤ T <sub>J</sub> ≤ +125°C	1	01		20	mV
			2,3			50	
		V <sub>IN</sub> = 20 V to 26 V, -55°C ≤ T <sub>J</sub> ≤ +125°C	1			15	
			2,3			25	
Load regulation <u>3/</u>	V <sub>RLOAD</sub>	I <sub>O</sub> = 5.0 mA to 1.5 A, <u>5/</u> -55°C ≤ T <sub>J</sub> ≤ +125°C	1	01		35	mV
			2,3			75	
		I <sub>O</sub> = 250 mA to 750 mA, <u>5/</u> -55°C ≤ T <sub>J</sub> ≤ +125°C	1			21	
			2,3			45	
		I <sub>O</sub> = 5.0 mA to 500 mA, <u>6/</u> -55°C ≤ T <sub>J</sub> ≤ +125°C	1			50	
			2,3			75	
Standby current drain	I <sub>SCD</sub>		1	01		6.0	mA
			2,3			6.5	
Standby current drain change with line	ΔI <sub>SCD</sub> (line)	V <sub>IN</sub> = 18.5 V to 30 V	1,2,3	01		0.8	mA
Standby current drain change with load	ΔI <sub>SCD</sub> (load)	I <sub>O</sub> = 5.0 mA to 1000 mA	1,2,3	01		0.5	mA
Dropout voltage	V <sub>DO</sub>	ΔV <sub>OUT</sub> = 100 mV, <u>5/</u> I <sub>O</sub> = 1.0 A, T <sub>A</sub> = +25°C	1	01		2.5	V
		ΔV <sub>OUT</sub> = 100 mV, <u>6/</u> I <sub>O</sub> = 500 mA, T <sub>A</sub> = +25°C				2.5	

See footnotes at end of table.

<b>STANDARD MICROCIRCUIT DRAWING</b> DEFENSE SUPPLY CENTER COLUMBUS COLUMBUS, OHIO 43216-5000	SIZE <b>A</b>		<b>5962-88553</b>
		REVISION LEVEL <b>D</b>	SHEET <b>5</b>

TABLE I. Electrical performance characteristics- Continued.

Test	Symbol	Conditions <u>1/</u> -55°C ≤ T <sub>A</sub> ≤ +125°C unless otherwise specified	Group A subgroups	Device type	Limits		Unit
					Min	Max	
Peak output current	I <sub>O(PK)</sub>	T <sub>A</sub> = +25°C <u>5/</u>	1	01	1.5	3.3	A
		T <sub>A</sub> = +25°C <u>6/</u>			0.5	1.7	
Short circuit current <u>7/</u>	I <sub>OS</sub>	V <sub>IN</sub> = 35 V <u>5/</u>	1	01		1.2	A
			2,3			2.8	
		V <sub>IN</sub> = 35 V <u>6/</u>	1			0.7	
			2,3			2.0	
Ripple rejection	ΔV <sub>IN</sub> / ΔV <sub>OUT</sub>	f = 120 Hz, ΔV <sub>IN</sub> = 10 V	4	01	54		dB
			5,6 <u>8/</u>		52		
Output noise voltage <u>8/</u>	N <sub>O</sub>	f = 10 Hz to 100 kHz, T <sub>A</sub> = +25°C	7	01		40	μV / V rms
Long term stability <u>8/</u>	ΔV <sub>OUT</sub> / Δt	T <sub>A</sub> = +25°C, t = 1,000 hours	7	01		150	mV

1/ Unless otherwise specified, V<sub>IN</sub> = 23 V and I<sub>O</sub> = 500 mA for cases M, N, T, U, Y, and Z, V<sub>IN</sub> = 23 V and I<sub>O</sub> = 100 mA for cases X and 2. Maximum test current for cases X and 2 is 500 mA.

2/ For cases X and 2: I<sub>O</sub> = 5 mA to 500 mA, P ≤ 2 W. For case Y: I<sub>O</sub> = 5 mA to 1.0 A, P ≤ 20 W.  
For cases M, N, T, U, and Z: I<sub>O</sub> = 5 mA to 1.0 A, P ≤ 15 W.

3/ All measurements except output noise voltage and ripple rejection are made at constant junction temperature and with low duty cycle.

4/ Minimum load current for full line regulation is 5.0 mA.

5/ For cases M, N, T, U, Y, and Z only.

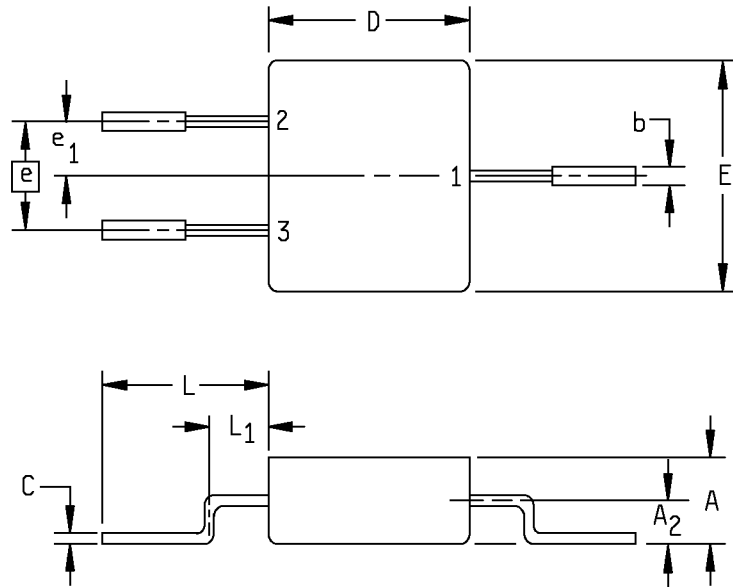
6/ For cases X and 2 only.

7/ Short circuit protection is only assured up to V<sub>IN</sub> = 35 V.

8/ If not tested, shall be guaranteed to the limits specified in table I.

<b>STANDARD MICROCIRCUIT DRAWING</b> DEFENSE SUPPLY CENTER COLUMBUS COLUMBUS, OHIO 43216-5000	SIZE <b>A</b>		<b>5962-88553</b>
		REVISION LEVEL <b>D</b>	SHEET <b>6</b>

Case outline M



Symbol	Inches		Millimeters	
	Min	Max	Min	Max
A	.160	---	4.06	---
A <sub>2</sub>	.080	---	2.03	---
b	---	.035	---	0.89
C	.020	---	0.51	---
D	---	.425	---	10.8
E	---	.425	---	10.8
e	.200 BSC		5.08 BSC	
e <sub>1</sub>	.100 BSC		2.54 BSC	
L	.350	---	8.89	---
L <sub>1</sub>	---	.135	---	3.43

NOTES:

1. Dimensions shall be measured in inches.
2. Metric equivalents are given for general information only.
3. Three leads.

FIGURE 1. Case outlines.

**STANDARD  
MICROCIRCUIT DRAWING**  
DEFENSE SUPPLY CENTER COLUMBUS  
COLUMBUS, OHIO 43216-5000

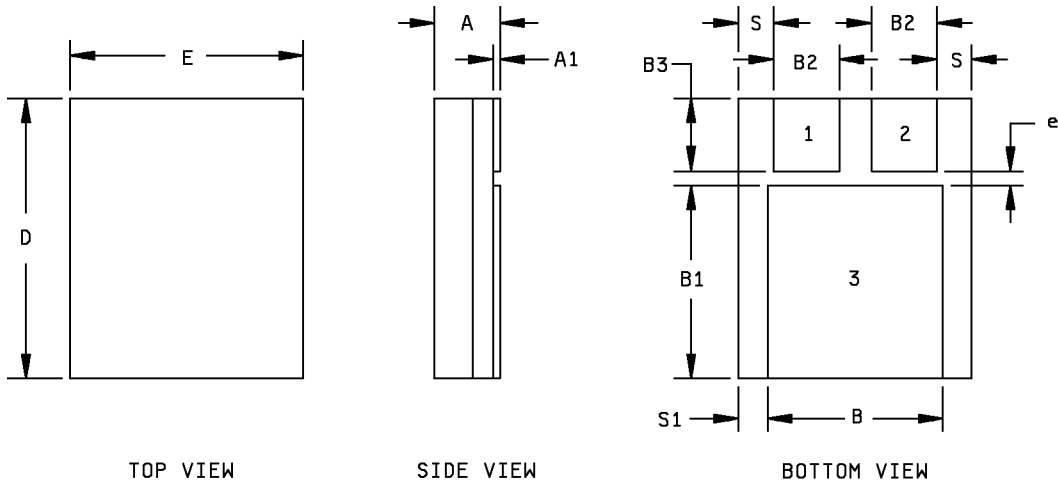
SIZE  
**A**

**5962-88553**

REVISION LEVEL  
**D**

SHEET  
**7**

Case outline N



Symbol	Inches		Millimeters	
	Min	Max	Min	Max
A	.135	.145	3.43	3.68
A1	.010	.020	0.25	0.51
B	.370	.380	9.40	9.65
B1	.410	.420	10.41	10.67
B2	.135	.145	3.43	3.68
B3	.152	.162	3.86	4.11
D	.620	.630	15.75	16.00
E	.495	.505	12.57	12.83
e	.030	----	0.76	----
S	.070	.080	1.78	2.03
S1	.057	.067	1.45	1.70

NOTE:

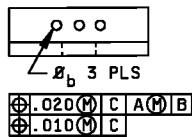
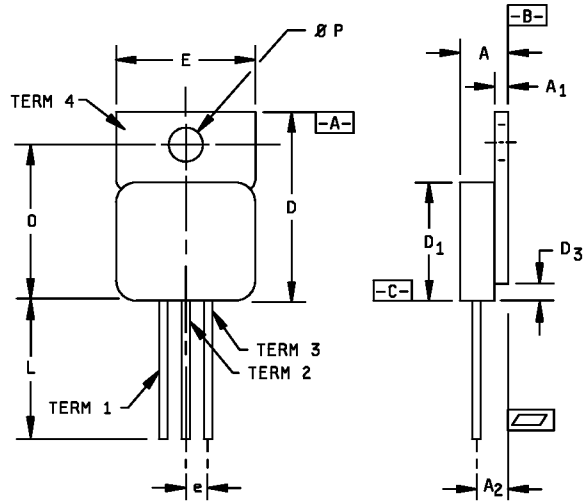
The U.S. government preferred system of measurement is the metric SI system. However, since this item was originally designed using inch-pound units of measurement, in the event of conflict between the metric and inch-pound units, the inch-pound units shall take precedence.

FIGURE 1. Case outlines – Continued.

<b>STANDARD MICROCIRCUIT DRAWING</b> DEFENSE SUPPLY CENTER COLUMBUS COLUMBUS, OHIO 43216-5000	SIZE <b>A</b>		<b>5962-88553</b>
		REVISION LEVEL <b>D</b>	SHEET <b>8</b>



Case outlines T and U



Letter	Inches		Millimeters	
	Min	Max	Min	Max
A	.190	.200	4.83	5.08
A1	.035	.045	0.89	1.14
A2	.120 BSC		3.05 BSC	
$\phi$ b	.025	.035	0.64	0.89
D	.645	.665	16.38	16.89
D1	.410	.430	10.41	10.92
D3	.000	.065	0.00	1.65
e	.100 BSC		2.54 BSC	
E	.410	.422	10.41	10.71
L	.500	.750	12.70	19.05
O	.527	.537	13.39	16.64
$\phi$ P	.140	.150	3.56	3.81

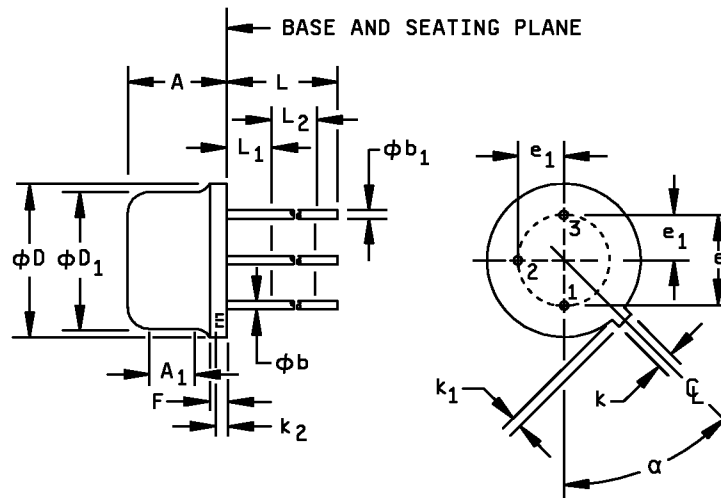
NOTE:

The U.S. government preferred system of measurement is the metric SI system. However, since this item was originally designed using inch-pound units of measurement, in the event of conflict between the metric and inch-pound units, the inch-pound units shall take precedence.

FIGURE 1. Case outline – Continued.

<b>STANDARD MICROCIRCUIT DRAWING</b> DEFENSE SUPPLY CENTER COLUMBUS COLUMBUS, OHIO 43216-5000	SIZE <b>A</b>		<b>5962-88553</b>
		REVISION LEVEL <b>D</b>	SHEET <b>9</b>

Case outline X



Symbol	Inches		Millimeters		Notes
	Min	Max	Min	Max	
A	.165	.185	4.19	4.70	
A <sub>1</sub>	.100 BSC		2.54 BSC		
$\phi b$	.016	.019	0.41	0.48	2
$\phi b_1$	.016	.021	0.41	0.53	2
$\phi D$	.335	.370	8.51	9.40	
$\phi D_1$	.305	.335	7.75	8.51	
e	.200 BSC		5.08 BSC		4
e <sub>1</sub>	.100 BSC		2.54 BSC		4
F	---	.050	---	1.27	
k	.028	.034	0.71	0.86	
k <sub>1</sub>	.029	.045	0.74	1.14	3
k <sub>2</sub>	.009	.041	0.23	1.04	
L	.500	---	12.70	---	
L <sub>1</sub>	---	.050	---	1.27	
L <sub>2</sub>	.250	---	6.35	---	
$\alpha$	45° T.P.		45° T.P.		4

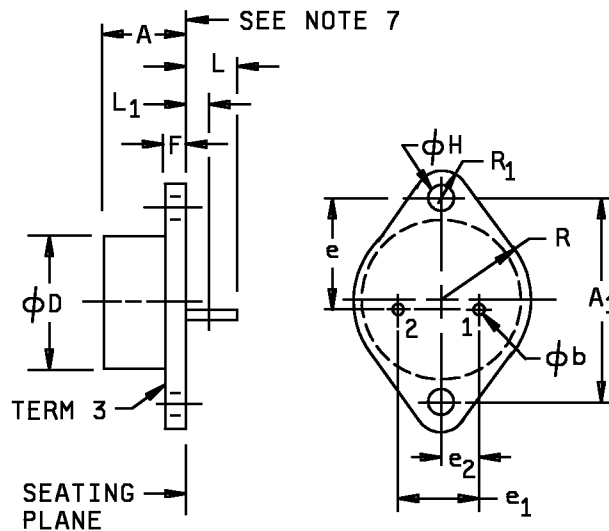
NOTES:

1. The U.S. government preferred system of measurement is the metric SI system. However, since this item was originally designed using inch-pound units of measurement, in the event of conflict between the metric and inch-pound units, the inch-pound units shall take precedence.
2. (All leads)  $\phi b$  applies between  $L_1$  and  $L_2$ .  $\phi b_1$  applies between the  $L_2$  and .500 inch (12.70 mm) from the reference plane. Diameter is uncontrolled in  $L_1$  and beyond .500 inch (12.70 mm) from the reference plane.
3. Measured from the maximum diameter of the product.
4. Leads having a maximum diameter of .019 inch (0.48 mm) measured in gauging plane .054 inch (1.37 mm) + .001 inch (0.03 mm) - .000 inch (0.00 mm) below the base plane of the product shall be within .007 inch (0.18 mm) of their true position relative to a maximum width tab.
5. The relative product may be measured by direct methods or by gauge.

FIGURE 1. Case outline – Continued.

<b>STANDARD MICROCIRCUIT DRAWING</b> DEFENSE SUPPLY CENTER COLUMBUS COLUMBUS, OHIO 43216-5000	SIZE <b>A</b>		<b>5962-88553</b>
		REVISION LEVEL <b>D</b>	SHEET <b>10</b>

Case outline Y



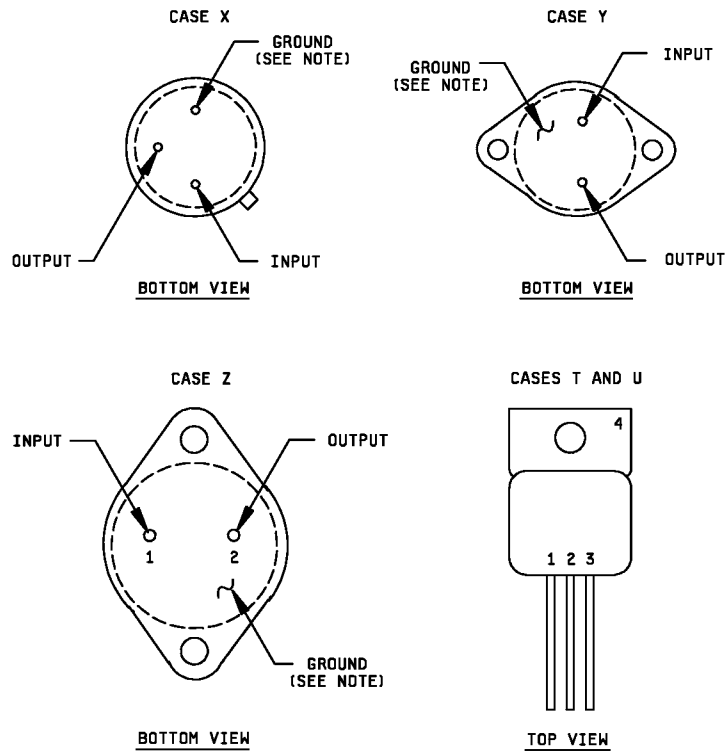
Symbol	Inches		Millimeters		Notes
	Min	Max	Min	Max	
A	.250	.450	6.35	11.43	
A <sub>1</sub>	1.177	1.197	29.90	30.40	
phi b	.038	.043	.97	1.09	3,7
phi D	---	.875	---	22.22	
e	.655	.675	16.64	17.14	5
e <sub>1</sub>	.420	.440	10.67	11.16	5
e <sub>2</sub>	.205	.225	5.21	5.72	
F	.060	.135	1.52	3.43	
phi H	.151	.161	3.84	4.09	5,6
L	.312	.500	7.92	12.70	4
L <sub>1</sub>	---	.050	---	1.27	3,4
R	.495	.525	12.57	13.34	
R <sub>1</sub>	.131	.188	3.33	4.78	

NOTES:

1. The U.S. government preferred system of measurement is the metric SI system. However, since this item was originally designed using inch-pound units of measurement, in the event of conflict between the metric and inch-pound units, the inch-pound units shall take precedence.
2. (Two leads) phi b applies between L<sub>1</sub> and .500 inch (12.70 mm) from the seating plane. Diameter is uncontrolled in L<sub>1</sub>, and beyond .500 inch (12.70 mm) from the seating plane.
3. Two leads.
4. Two holes.
5. Two holes located at true position within diameter .010 inch (0.25 mm).
6. Leads having a maximum diameter of .043 inch (1.09 mm) measured in gauging plane .054 inch (1.37 mm) + .001 inch (0.03 mm) - .000 inch (0.00 mm) below the base plane shall be located at true position within diameter .014 inch (0.36 mm).
7. The mounting surface of the header shall be flat to convex within .003 inch (0.08 mm) inside a .930 inch (23.62 mm) diameter circle on the center of the header and flat to convex within .006 inch (0.15 mm) overall.

FIGURE 1. Case outline – Continued.

<b>STANDARD MICROCIRCUIT DRAWING</b> DEFENSE SUPPLY CENTER COLUMBUS COLUMBUS, OHIO 43216-5000	SIZE <b>A</b>		<b>5962-88553</b>
		REVISION LEVEL <b>D</b>	SHEET <b>11</b>



NOTE: Case is connected to ground.

FIGURE 2. Terminal connections.

<b>STANDARD MICROCIRCUIT DRAWING</b> DEFENSE SUPPLY CENTER COLUMBUS COLUMBUS, OHIO 43216-5000	SIZE <b>A</b>		<b>5962-88553</b>
		REVISION LEVEL <b>D</b>	SHEET <b>12</b>

Device type	01				
Case outlines	M	N	T	U	2
Terminal number	Terminal symbol				
1	OUTPUT	INPUT	INPUT	INPUT	NC
2	ADJUST	OUTPUT	GND	GND	V <sub>IN</sub>
3	INPUT	GND	OUTPUT	OUTPUT	NC
4	ISOLATED (CASE)	---	GND	NC	NC
5	---	---	---	---	NC
6	---	---	---	---	NC
7	---	---	---	---	GND
8	---	---	---	---	NC
9	---	---	---	---	NC
10	---	---	---	---	V <sub>OUT</sub>
11	---	---	---	---	NC
12	---	---	---	---	V <sub>OUT</sub>
13	---	---	---	---	NC
14	---	---	---	---	NC
15	---	---	---	---	V <sub>OUT</sub> SENSE
16	---	---	---	---	NC
17	---	---	---	---	V <sub>IN</sub>
18	---	---	---	---	NC
19	---	---	---	---	NC
20	---	---	---	---	NC

NOTES:

NC = No connection

For case outline 2 normal operation, the V<sub>OUT</sub> SENSE pin must be connected externally to the load.

FIGURE 2. Terminal connections – Continued.

<b>STANDARD MICROCIRCUIT DRAWING</b> DEFENSE SUPPLY CENTER COLUMBUS COLUMBUS, OHIO 43216-5000	SIZE <b>A</b>		<b>5962-88553</b>
		REVISION LEVEL <b>D</b>	SHEET <b>13</b>

3.5 Marking. Marking shall be in accordance with MIL-PRF-38535, appendix A. The part shall be marked with the PIN listed in 1.2 herein. In addition, the manufacturer's PIN may also be marked as listed in MIL-HDBK-103 (see 6.6 herein). For packages where marking of the entire SMD PIN number is not feasible due to space limitations, the manufacturer has the option of not marking the "5962-" on the device.

3.6 Certificate of compliance. A certificate of compliance shall be required from a manufacturer in order to be listed as an approved source of supply in MIL-HDBK-103 (see 6.6 herein). The certificate of compliance submitted to DSCC-VA prior to listing as an approved source of supply shall affirm that the manufacturer's product meets the requirements of MIL-PRF-38535, appendix A and the requirements herein.

3.7 Certificate of conformance. A certificate of conformance as required in MIL-PRF-38535, appendix A shall be provided with each lot of microcircuits delivered to this drawing.

3.8 Notification of change. Notification of change to DSCC-VA shall be required in accordance with MIL-PRF-38535, appendix A.

3.9 Verification and review. DSCC, DSCC's agent, and the acquiring activity retain the option to review the manufacturer's facility and applicable required documentation. Offshore documentation shall be made available onshore at the option of the reviewer.

#### 4. QUALITY ASSURANCE PROVISIONS

4.1 Sampling and inspection. Sampling and inspection procedures shall be in accordance with MIL-PRF-38535, appendix A.

4.2 Screening. Screening shall be in accordance with method 5004 of MIL-STD-883, and shall be conducted on all devices prior to quality conformance inspection. The following additional criteria shall apply:

a. Burn-in test, method 1015 of MIL-STD-883.

(1) Test condition A, B, C, or D. The test circuit shall be maintained by the manufacturer under document revision level control and shall be made available to the preparing or acquiring activity upon request. The test circuit shall specify the inputs, outputs, biases, and power dissipation, as applicable, in accordance with the intent specified in test method 1015 of MIL-STD-883.

(2)  $T_A = +125^{\circ}\text{C}$ , minimum.

b. Interim and final electrical test parameters shall be as specified in table II herein, except interim electrical parameter tests prior to burn-in are optional at the discretion of the manufacturer.

4.3 Quality conformance inspection. Quality conformance inspection shall be in accordance with method 5005 of MIL-STD-883 including groups A, B, C, and D inspections. The following additional criteria shall apply.

4.3.1 Group A inspection.

a. Tests shall be as specified in table II herein.

b. Subgroups 8, 9, 10, and 11 in table I, method 5005 of MIL-STD-883 shall be omitted.

<b>STANDARD MICROCIRCUIT DRAWING</b> DEFENSE SUPPLY CENTER COLUMBUS COLUMBUS, OHIO 43216-5000	SIZE <b>A</b>		<b>5962-88553</b>
		REVISION LEVEL <b>D</b>	SHEET <b>14</b>

TABLE II. Electrical test requirements.

MIL-STD-883 test requirements	Subgroups (in accordance with MIL-STD-883, method 5005, table I)
Interim electrical parameters (method 5004)	1
Final electrical test parameters (method 5004)	1, 2, 3, 4 <u>1/</u>
Group A test requirements (method 5005)	1, 2, 3, 4, 5, 6, 7 <u>2/</u>
Groups C and D end-point electrical parameters (method 5005)	1

1/ PDA applies to subgroup 1.

2/ Subgroups 5, 6, and 7, if not tested, shall be guaranteed to the limits specified in table I.

4.3.2 Groups C and D inspections.

- a. End-point electrical parameters shall be as specified in table II herein.
- b. Steady-state life test conditions, method 1005 of MIL-STD-883.
  - (1) Test condition A, B, C, or D. The test circuit shall be maintained by the manufacturer under document revision level control and shall be made available to the preparing or acquiring activity upon request. The test circuit shall specify the inputs, outputs, biases, and power dissipation, as applicable, in accordance with the intent specified in test method 1005 of MIL-STD-883.
  - (2)  $T_A = +125^\circ\text{C}$ , minimum.
  - (3) Test duration: 1,000 hours, except as permitted by method 1005 of MIL-STD-883.

5. PACKAGING

5.1 Packaging requirements. The requirements for packaging shall be in accordance with MIL-PRF-38535, appendix A.

6. NOTES

- 6.1 Intended use. Microcircuits conforming to this drawing are intended for use for Government microcircuit applications (original equipment), design applications, and logistics purposes.
- 6.2 Replaceability. Microcircuits covered by this drawing will replace the same generic device covered by a contractor-prepared specification or drawing.
- 6.3 Configuration control of SMD's. All proposed changes to existing SMD's will be coordinated with the users of record for the individual documents. This coordination will be accomplished in accordance with MIL-STD-973 using DD Form 1692, Engineering Change Proposal.

<b>STANDARD MICROCIRCUIT DRAWING</b> DEFENSE SUPPLY CENTER COLUMBUS COLUMBUS, OHIO 43216-5000	SIZE <b>A</b>		<b>5962-88553</b>
		REVISION LEVEL <b>D</b>	SHEET <b>15</b>

6.4 Record of users. Military and industrial users shall inform Defense Supply Center Columbus when a system application requires configuration control and the applicable SMD. DSCC will maintain a record of users and this list will be used for coordination and distribution of changes to the drawings. Users of drawings covering microelectronics devices (FSC 5962) should contact DSCC-VA, telephone (614) 692-0525.

6.5 Comments. Comments on this drawing should be directed to DSCC-VA, Columbus, Ohio 43216-5000, or telephone (614) 692-0674.

6.6 Approved sources of supply. Approved sources of supply are listed in MIL-HDBK-103. The vendors listed in MIL-HDBK-103 have agreed to this drawing and a certificate of compliance (see 3.6 herein) has been submitted to and accepted by DSCC-VA.

<b>STANDARD MICROCIRCUIT DRAWING</b> DEFENSE SUPPLY CENTER COLUMBUS COLUMBUS, OHIO 43216-5000	SIZE <b>A</b>		<b>5962-88553</b>
		REVISION LEVEL <b>D</b>	SHEET <b>16</b>



STANDARD MICROCIRCUIT DRAWING BULLETIN

DATE: 99-12-01

Approved sources of supply for SMD 5962-88553 are listed below for immediate acquisition information only and shall be added to MIL-HDBK-103 and QML-38535 during the next revision. MIL-HDBK-103 and QML-38535 will be revised to include the addition or deletion of sources. The vendors listed below have agreed to this drawing and a certificate of compliance has been submitted to and accepted by DSCC-VA. This bulletin is superseded by the next dated revision of MIL-HDBK-103 and QML-38535.

Standard microcircuit drawing PIN <u>1</u> /	Vendor CAGE number	Vendor similar PIN <u>2</u> /
5962-8855301MA	69210	OM1815SM/883B
5962-8855301NA	69210	OM1815NM
5962-8855301NB	69210	OM1815NM
5962-8855301TA	U3158	IP7815AG/883
	<u>3</u> /	UC7815AG/883B
	69210	OM7815AH/883B
5962-8855301UA	U3158	IP7815AIG/883
	27851	FM815S7
	34333	SG7815AIG/883B
	<u>3</u> /	UC7815AIG/883B
	69210	OM7815AIH/883B
5962-8855301XA	U3158	IP78M15AH/883
	34333	SG7815AT/883B
5962-8855301YA	U3158	IP7815AK/883
	34333	SG7815AK/883B
	<u>3</u> /	UC7815AK/883B
	69210	OM7815NKM

STANDARD MICROCIRCUIT DRAWING BULLETIN - Continued

Standard microcircuit drawing PIN <u>1/</u>	Vendor CAGE number	Vendor similar PIN <u>2/</u>
5962-8855301ZA	U3158	IP7815AR/883
	34333	SG7815AR/883B
5962-88553012A	34333	SG7815AL/883B
	69210	OM1815N2/883B

1/ The lead finish shown for each PIN representing a hermetic package is the most readily available from the manufacturer listed for that part. If the desired lead finish is not listed contact the vendor to determine its availability.

2/ Caution. Do not use this number for item acquisition. Items acquired to this number may not satisfy the performance requirements of this drawing.

3/ Not available from approved source of supply.

Vendor CAGE  
number

Vendor name  
and address

U3158

SEMELAB PLC  
Coventry Road, Lutterworth,  
Leicestershire LE174JB  
United Kingdom  
Point of contact: Martinez & Associates  
19 Palham Island Road  
Wayland, MA 01778

27851

Film Microelectronics Incorporated  
530 Turnpike Street  
North Andover, MA 01845-5812

34333

Lifinity Microelectronics Incorporated  
11861 Western Avenue  
Garden Grove, CA 92841

69210

Omnirel Corporation  
205 Crawford Street  
Leominster, MA 01453-2353

The information contained herein is disseminated for convenience only and the Government assumes no liability whatsoever for any inaccuracies in the information bulletin.