

PLEASE CHECK WWW.MOLEX.COM FOR LATEST PART INFORMATION

Part Number: [0196020004](#)
Status: **Active**
Description: Avikrimp™ Fully Insulated Piggyback Quick Disconnect, Tab 6.35mm (.250") by 0.81mm (.032"), 18-22 AWG, Red Insulator, Loose

Documents:

[Drawing \(PDF\)](#) [RoHS Certificate of Compliance \(PDF\)](#)

General

Product Family	Quick Disconnects
Series	19602
Crimp Quality Equipment	Yes
Product Name	Avikrimp™
Type	Quick Disconnect

Physical

Barrel Type	Closed
Gender	Female
Glow-Wire Compliant	No
Insulation	Nylon (PA)
Lock to Mating Part	No
Orientation	Straight
Packaging Type	Bag
Polarized to Mating Part	No
Tab Thickness	0.81mm (.032")
Tab Width	6.35mm (.250")
Wire Insulation Diameter	2.95mm (.116") max.
Wire Size AWG	18, 20, 22
Wire Size mm²	0.35 - 0.80

Electrical

Voltage - Maximum	600V
-------------------	------

Material Info

Reference - Drawing Numbers

Sales Drawing	SD-19602-001
---------------	--------------

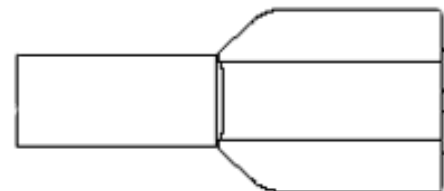


image - Reference only

Series

EU RoHS

ELV and RoHS Compliant
REACH SVHC
 Not Reviewed
Halogen-Free Status
 Not Reviewed

China RoHS



Need more information on product environmental compliance?

Email productcompliance@molex.com
 For a multiple part number RoHS Certificate of Compliance, [click here](#)

Please visit the [Contact Us](#) section for any non-product compliance questions.

Search Parts in this Series

[19602Series](#)

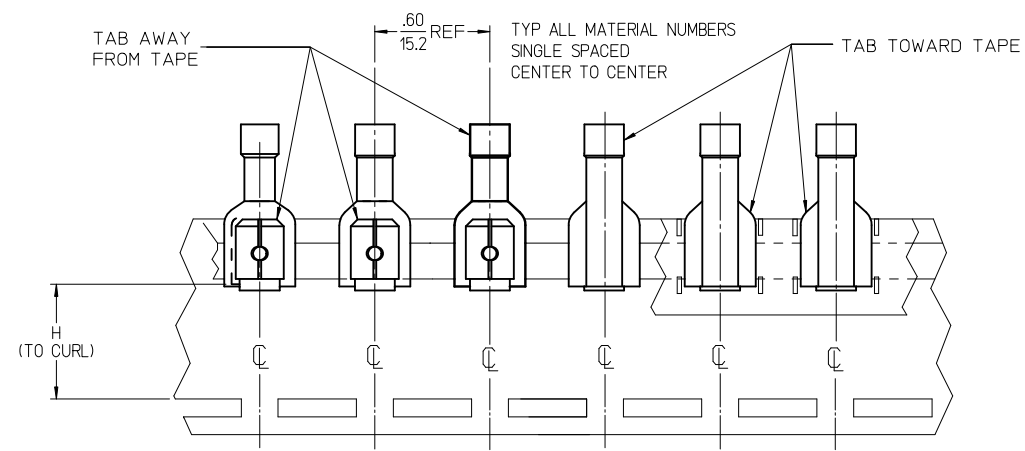
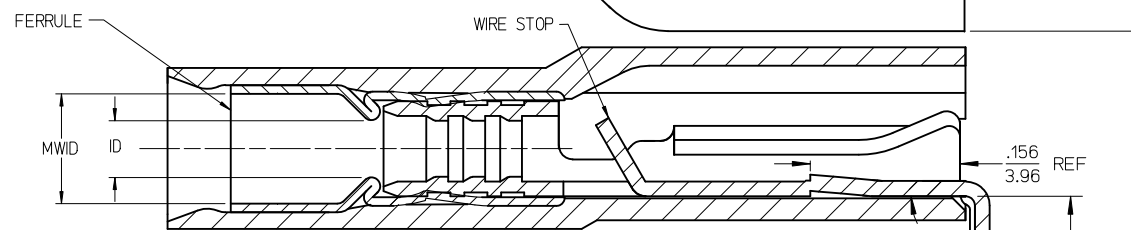
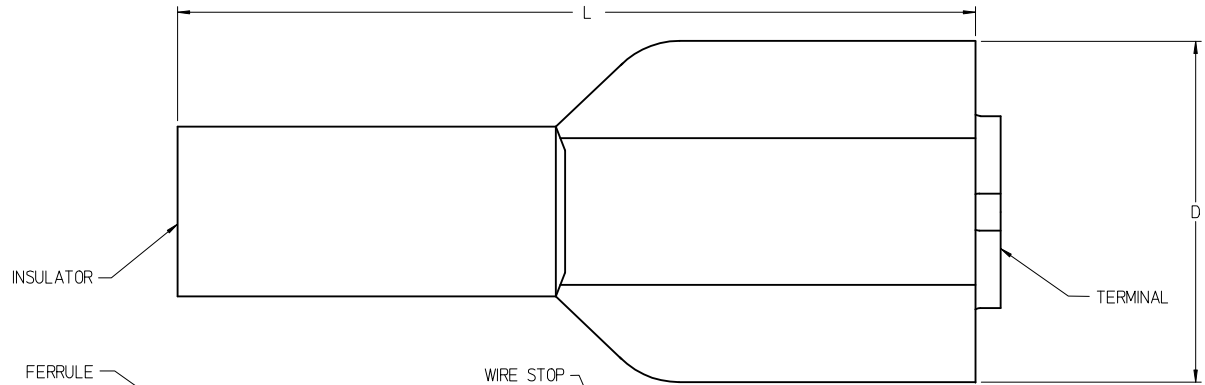
Application Tooling | [FAQ](#)

Tooling specifications and manuals are found by selecting the products below. Crimp Height Specifications are then contained in the Application Tooling Specification document.

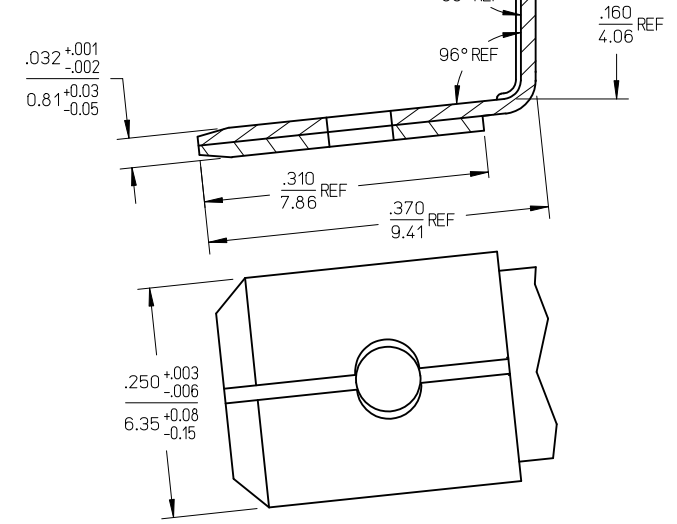
Global

Description	Product #
Hand Crimp Tool	0640016400
Crimp Head for the AT-200™ Pneumatic Hand Tool	0640056400

13	12	11	10	9	8	7	6	5	4	3	2	1
MATERIAL NO. LOOSE PC	ENGINEERING NO. LOOSE PC	MATERIAL NO. ON TAPE	ENGINEERING NO. ON TAPE	WIRE SIZE	INSULATOR COLOR	ID MIN REF	MWID	D MAX	L MAX	H NOMINAL	BARE TAB POSITION	
196020004	19602-0004	196020010	19602-0010	22-18 AWG	RED	.058/1.47	.116/2.95	.380/9.65	.880/22.35	.54/13.7	AWAY FROM TAPE	
196020005	19602-0005	196020011	19602-0011	16-14 AWG	BLUE	.079/2.00	.139/3.53	.380/9.65	.880/22.35	.54/13.7	AWAY FROM TAPE	
196020006	19602-0006	196020012	19602-0012	12-10 AWG	YELLOW	.144/3.66	.231/5.87	.380/9.65	1.020/25.91	.57/14.4	TOWARD TAPE	



PARTS ON TAPE
(SCALE 2:1)



NOTES:

1. TERMINAL MATERIAL: BRASS
2. TERMINAL FINISH: TIN PLATED
3. INSULATOR MATERIAL: NYLON
4. FERRULE MATERIAL: COPPER ALLOY (D)
5. FERRULE FINISH: TIN PLATED
6. MWID = MAXIMUM WIRE INSULATION DIAMETER.
7. ASSEMBLY IS ROHS COMPLIANT.

FERRULE MATERIAL DESCR EC NO: MNA2009-0510 DRWNETHRODAHL 2010/01/04 CHKD:JMACNEIL 2010/01/05 APPR:JMACNEIL 2010/01/05	QUALITY SYMBOLS ▽=0 ▽=0
REV D	DESCRIPTION

GENERAL TOLERANCES (UNLESS SPECIFIED)	DIMENSION STYLE IN/MM	SCALE ---	DESIGN UNITS INCH	THIRD ANGLE PROJECTION
4 PLACES ± --- ± ---	mm INCH	DRAWN BY DAY	DATE 1997/08/21	TITLE PIGGYBACK FIQD, .250 X .032 TAB, AVIKRIMP
3 PLACES ± --- ± ---		CHECKED BY RWD	DATE 1997/08/21	MOLEX INCORPORATED
2 PLACES ± --- ± ---		APPROVED BY RWD	DATE 1997/08/21	
1 PLACE ± --- ± ---		ANGULAR ± --- °		MATERIAL NO. SEE CHART
DRAFT WHERE APPLICABLE MUST REMAIN WITHIN DIMENSIONS		DOCUMENT NO. SD-19602-001		SHEET NO. 1 OF 1

THIS DRAWING CONTAINS INFORMATION THAT IS PROPRIETARY TO MOLEX INCORPORATED AND SHOULD NOT BE USED WITHOUT WRITTEN PERMISSION	
---	--