

±15kV ESD Protected, Two Port, Dual Protocol Transceivers

The ISLX1334 are two port interface ICs where each port can be independently configured as a single RS-485/422 transceiver, or as a dual (2 Tx, 2 Rx) RS-232 transceiver. With both ports set to the same mode, two RS-485/422 transceivers, or four RS-232 transceivers are available.

If either port is in RS-232 mode, the onboard charge pump generates RS-232 compliant ±5V Tx output levels from a single V_{CC} supply as low as 4.5V. Four small 0.1µF capacitors are required for the charge pump. The transceivers are RS-232 compliant, with the Rx inputs handling up to ±25V, and the Tx outputs handling ±12V.

In RS-485 mode, the transceivers support both the RS-485 and RS-422 differential communication standards. The receivers feature "full failsafe" operation, so the Rx outputs remain in a high state if the inputs are open or shorted together. The transmitters support up to three data rates, two of which are slew rate limited for problem free communications. The charge pump disables when both ports are in RS-485 mode, thereby saving power, minimizing noise, and eliminating the charge pump capacitors.

Both RS-232 and RS-485 modes feature loopback and shutdown functions. Loopback internally connects the Tx outputs to the corresponding Rx input, to facilitate board level self test implementation. The outputs remain connected to the loads during loopback, so connection problems (e.g., shorted connectors or cables) can be detected. Shutdown mode disables the Tx and Rx outputs, disables the charge pumps, and places the IC in a low current (µA) mode.

The ISL41334 is a QFN packaged device that includes two additional user selectable, lower speed and edge rate options for EMI sensitive designs, or to allow longer bus lengths. It also features a logic supply pin (V_L) that sets the V_{OH} level of logic outputs, and the switching points of logic inputs, to be compatible with another supply voltage in mixed voltage systems. The QFN also adds active low Rx enable pins to increase design flexibility, allowing Tx/Rx direction control, via a single signal per port, by connecting the corresponding DE and RE pins together.

For a single port version of these devices, please see the ISL81387/ ISL41387 data sheet.

Features

- ±15kV (HBM) ESD Protected Bus Pins (RS-232 or RS-485)
- Two Independent Ports, Each User Selectable for RS-232 (2 Transceivers) or RS-485/422 (1 Transceiver)
- Flow-Through Pinouts Simplify Board Layouts
- Pb-Free Plus Anneal Available (RoHS Compliant)
- Large (2.7V) Differential V_{OUT} for Improved Noise Immunity in RS-485/422 Networks
- Full Failsafe (Open/Short) Rx in RS-485/422 Mode
- Loopback Mode Facilitates Board Self Test Functions
- User Selectable RS-485 Data Rates (ISL41334 Only)
 - Fast Speed 20Mbps
 - Slew Rate Limited. 460kbps
 - Slew Rate Limited. 115kbps
- Fast RS-232 Data Rate Up to 650kbps
- Low Current Shutdown Mode. 42µA
- QFN Package Saves Board Space (ISL41334 Only)
- Logic Supply Pin (V_L) Eases Operation in Mixed Supply Systems (ISL41334 Only)

Applications

- Gaming Applications (e.g., Slot Machines)
- Single Board Computers
- Factory Automation
- Security Networks
- Industrial/Process Control Networks
- Level Translators (e.g., RS-232 to RS-422)
- Point of Sale Equipment
- Dual Channel RS-485 Interfaces

TABLE 1. SUMMARY OF FEATURES

| PART NUMBER | NO. OF PORTS | PACKAGE OPTIONS | RS-485 DATA RATE (bps) | RS-232 DATA RATE (kbps) | V _L PIN? | ACTIVE H or L Rx ENABLE? | LOW POWER SHUTDOWN? |
|-------------|--------------|------------------------|------------------------|-------------------------|---------------------|--------------------------|---------------------|
| ISL81334 | 2 | 28 Ld SOIC, 28 Ld SSOP | 20M | 650 | NO | NONE | YES |
| ISL41334 | 2 | 40 Ld QFN (6 x 6mm) | 20M, 460k, 115k | 650 | YES | L | YES |

Ordering Information

| PART NUMBER (NOTE) | PART MARKING | TEMP. RANGE (°C) | PACKAGE (Pb-Free) | PKG. DWG. # |
|--------------------|--------------|------------------|--------------------------|-------------|
| ISL81334IAZ | 81334IAZ | -40 to 85 | 28 Ld SSOP | M28.209 |
| ISL81334IAZ-T | 81334IAZ | -40 to 85 | 28 Ld SSOP Tape and Reel | M28.209 |
| ISL81334IBZ | ISL81334IBZ | -40 to 85 | 28 Ld SOIC | M28.3 |
| ISL81334IBZ-T | ISL81334IBZ | -40 to 85 | 28 Ld SOIC Tape and Reel | M28.3 |
| ISL41334IRZ | 41334IRZ | -40 to 85 | 40 Ld QFN | L40.6x6 |
| ISL41334IRZ-T | 41334IRZ | -40 to 85 | 40 Ld QFN Tape and Reel | L40.6x6 |

NOTE: Intersil Pb-free plus anneal products employ special Pb-free material sets; molding compounds/die attach materials and 100% matte tin plate termination finish, which are RoHS compliant and compatible with both SnPb and Pb-free soldering operations. Intersil Pb-free products are MSL classified at Pb-free peak reflow temperatures that meet or exceed the Pb-free requirements of IPC/JEDEC J STD-020.

Pinouts

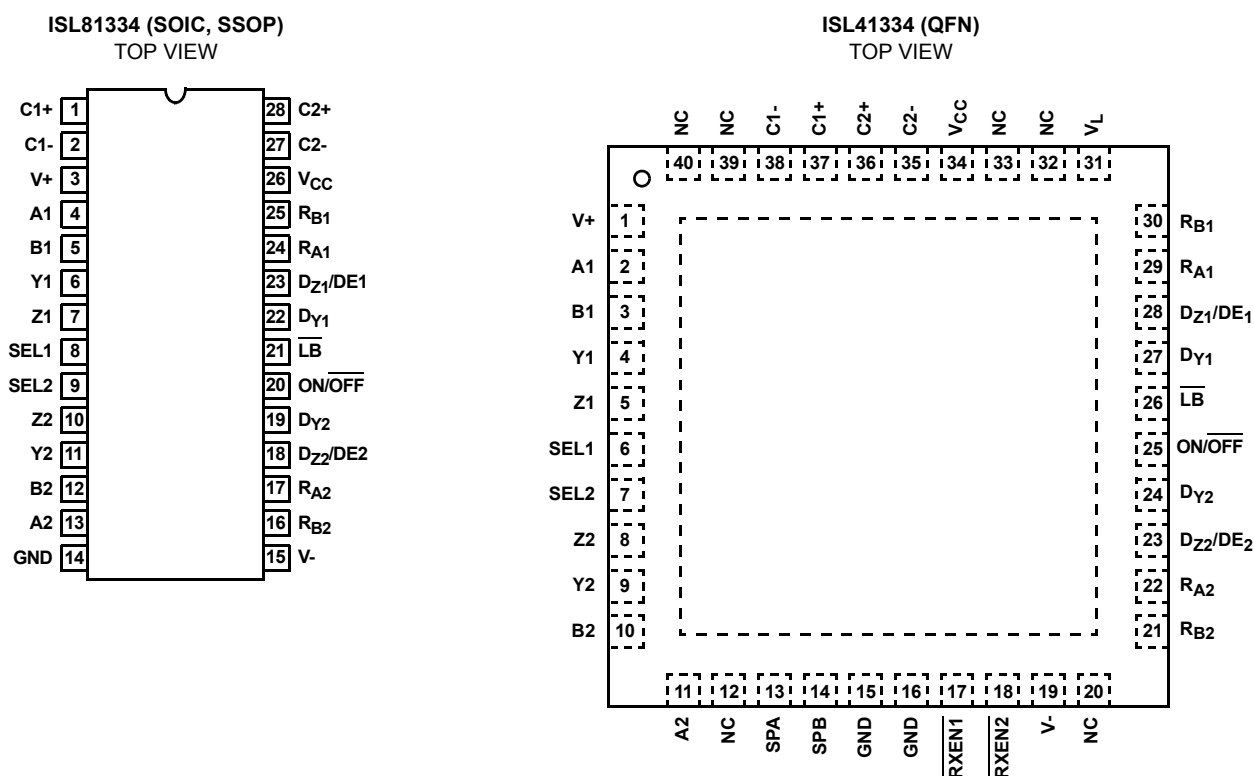


TABLE 2. ISL81334 FUNCTION TABLE

| INPUTS | | | RECEIVER OUTPUTS | | DRIVER OUTPUTS | | CHARGE PUMPS (NOTE 1) | MODE |
|-----------|--------|-----------|------------------|----------------|----------------|--------|--------------------------|----------|
| SEL1 or 2 | ON/OFF | DE 1 or 2 | R _A | R _B | Y | Z | | |
| 0 | 1 | N.A. | ON | ON | ON | ON | ON | RS-232 |
| X | 0 | X | High-Z | High-Z | High-Z | High-Z | OFF | Shutdown |
| 1 | 1 | 0 | ON | High-Z * | High-Z | High-Z | OFF | RS-485 |
| 1 | 1 | 1 | ON | High-Z * | ON | ON | OFF | RS-485 |

NOTE:

- Charge pumps are off iff SEL1 = SEL2 = 1, or if ON/OFF = 0. If ON = 1, and either port is programmed for RS-232 mode, then the charge pumps are on.

ISL81334 Truth Tables (FOR EACH PORT)

| RS-232 TRANSMITTING MODE | | | | | |
|--------------------------|--------|----------------|----------------|---------|--------|
| INPUTS | | | | OUTPUTS | |
| SEL1 or 2 | ON/OFF | D _Y | D _Z | Y | Z |
| 0 | 1 | 0 | 0 | 1 | 1 |
| 0 | 1 | 0 | 1 | 1 | 0 |
| 0 | 1 | 1 | 0 | 0 | 1 |
| 0 | 1 | 1 | 1 | 0 | 0 |
| 0 | 0 | X | X | High-Z | High-Z |

| RS-485 TRANSMITTING MODE | | | | | |
|--------------------------|--------|----------|----------------|---------|--------|
| INPUTS | | | | OUTPUTS | |
| SEL1 or 2 | ON/OFF | DE1 or 2 | D _Y | Y | Z |
| 1 | 1 | 1 | 0 | 1 | 0 |
| 1 | 1 | 1 | 1 | 0 | 1 |
| 1 | 1 | 0 | X | High-Z | High-Z |
| 1 | 0 | X | X | High-Z | High-Z |

| RS-232 RECEIVING MODE | | | | | |
|-----------------------|--------|------|------|----------------|----------------|
| INPUTS | | | | OUTPUT | |
| SEL1 or 2 | ON/OFF | A | B | R _A | R _B |
| 0 | 1 | 0 | 0 | 1 | 1 |
| 0 | 1 | 0 | 1 | 1 | 0 |
| 0 | 1 | 1 | 0 | 0 | 1 |
| 0 | 1 | 1 | 1 | 0 | 0 |
| 0 | 1 | Open | Open | 1 | 1 |
| 0 | 0 | X | X | High-Z | High-Z |

| RS-485 RECEIVING MODE | | | | | |
|-----------------------|--------|--------------------------|--|----------------|------------------|
| INPUTS | | | | OUTPUT | |
| SEL1 or 2 | ON/OFF | B-A | | R _A | R _B * |
| 1 | 1 | ≥ -40mV | | 1 | High-Z |
| 1 | 1 | ≤ -200mV | | 0 | High-Z |
| 1 | 1 | Open or Shorted together | | 1 | High-Z |
| 1 | 0 | X | | High-Z | High-Z |

* Internally pulled high through a 40kΩ resistor.

TABLE 3. ISL41334 FUNCTION TABLE

| INPUTS | | | | | | RECEIVER OUTPUTS | | DRIVER OUTPUTS | | CHARGE PUMPS (NOTE 2) | DRIVER DATA RATE (Mbps) | MODE |
|-----------|--------|-----|-----|-------------|-----------|------------------|----------------|----------------|--------|-----------------------|-------------------------|----------|
| SEL1 or 2 | ON/OFF | SPA | SPB | RXEN 1 or 2 | DE 1 or 2 | R _A | R _B | Y | Z | | | |
| 0 | 1 | X | X | 0 | N.A. | ON | ON | ON | ON | ON | 0.46 | RS-232 |
| 0 | 1 | X | X | 1 | N.A. | High-Z | High-Z | ON | ON | ON | 0.46 | RS-232 |
| X | 0 | X | X | X | X | High-Z | High-Z | High-Z | High-Z | OFF | N.A. | Shutdown |
| 1 | 1 | X | X | 0 | 0 | ON | High-Z * | High-Z | High-Z | OFF | N.A. | RS-485 |
| 1 | 1 | 0 | 0 | 0 | 1 | ON | High-Z * | ON | ON | OFF | 0.46 | RS-485 |
| 1 | 1 | 0 | 1 | 0 | 1 | ON | High-Z * | ON | ON | OFF | 0.115 | RS-485 |
| 1 | 1 | 1 | 0 | 0 | 1 | ON | High-Z * | ON | ON | OFF | 20 | RS-485 |
| 1 | 1 | 1 | 1 | 0 | 1 | ON | High-Z * | ON | ON | OFF | 20 | RS-485 |
| 1 | 1 | X | X | 1 | 0 | High-Z | High-Z * | High-Z | High-Z | OFF | N.A. | RS-485 |
| 1 | 1 | 0 | 0 | 1 | 1 | High-Z | High-Z * | ON | ON | OFF | 0.46 | RS-485 |
| 1 | 1 | 0 | 1 | 1 | 1 | High-Z | High-Z * | ON | ON | OFF | 0.115 | RS-485 |
| 1 | 1 | 1 | 0 | 1 | 1 | High-Z | High-Z * | ON | ON | OFF | 20 | RS-485 |
| 1 | 1 | 1 | 1 | 1 | 1 | High-Z | High-Z * | ON | ON | OFF | 20 | RS-485 |

NOTE:

- Charge pumps are off iff SEL1 = SEL2 = 1, or if ON/OFF = 0. If ON = 1, and either port is programmed for RS-232 mode, then the charge pumps are on.

ISL41334 Truth Tables (FOR EACH PORT)

| RS-232 TRANSMITTING MODE | | | | | |
|--------------------------|--------|----------------|----------------|--------|--------|
| INPUTS | | | OUTPUTS | | |
| SEL1 or 2 | ON/OFF | D _Y | D _Z | Y | Z |
| 0 | 1 | 0 | 0 | 1 | 1 |
| 0 | 1 | 0 | 1 | 1 | 0 |
| 0 | 1 | 1 | 0 | 0 | 1 |
| 0 | 1 | 1 | 1 | 0 | 0 |
| 0 | 0 | X | X | High-Z | High-Z |

| RS-232 RECEIVING MODE | | | | | | |
|-----------------------|--------|-------------|------|------|----------------|----------------|
| INPUTS | | | | | OUTPUT | |
| SEL1 or 2 | ON/OFF | RXEN 1 or 2 | A | B | R _A | R _B |
| 0 | 1 | 0 | 0 | 0 | 1 | 1 |
| 0 | 1 | 0 | 0 | 1 | 1 | 0 |
| 0 | 1 | 0 | 1 | 0 | 0 | 1 |
| 0 | 1 | 0 | 1 | 1 | 0 | 0 |
| 0 | 1 | 0 | Open | Open | 1 | 1 |
| 0 | 1 | 1 | X | X | High-Z | High-Z |
| 0 | 0 | X | X | X | High-Z | High-Z |

| RS-485 TRANSMITTING MODE | | | | | | | | |
|--------------------------|--------|------------|-----|-----|----------------|---------|--------|-----------|
| INPUTS | | | | | | OUTPUTS | | DATA RATE |
| SEL1 or 2 | ON/OFF | DEN 1 or 2 | SPA | SPB | D _Y | Y | Z | Mbps |
| 1 | 1 | 1 | 0 | 0 | 0/1 | 1/0 | 0/1 | 0.46 |
| 1 | 1 | 1 | 0 | 1 | 0/1 | 1/0 | 0/1 | 0.115 |
| 1 | 1 | 1 | 1 | X | 0/1 | 1/0 | 0/1 | 20 |
| 1 | 1 | 0 | X | X | X | High-Z | High-Z | N.A. |
| 1 | 0 | X | X | X | X | High-Z | High-Z | N.A. |

| RS-485 RECEIVING MODE | | | | | |
|-----------------------|--------|-------------|--------------------------|----------------|------------------|
| INPUTS | | | | OUTPUT | |
| SEL1 or 2 | ON/OFF | RXEN 1 or 2 | B-A | R _A | R _B * |
| 1 | 1 | 0 | ≥ -40mV | 1 | High-Z |
| 1 | 1 | 0 | ≤ -200mV | 0 | High-Z |
| 1 | 1 | 0 | Open or Shorted together | 1 | High-Z |
| 1 | 1 | 1 | X | High-Z | High-Z |
| 1 | 0 | X | X | High-Z | High-Z |

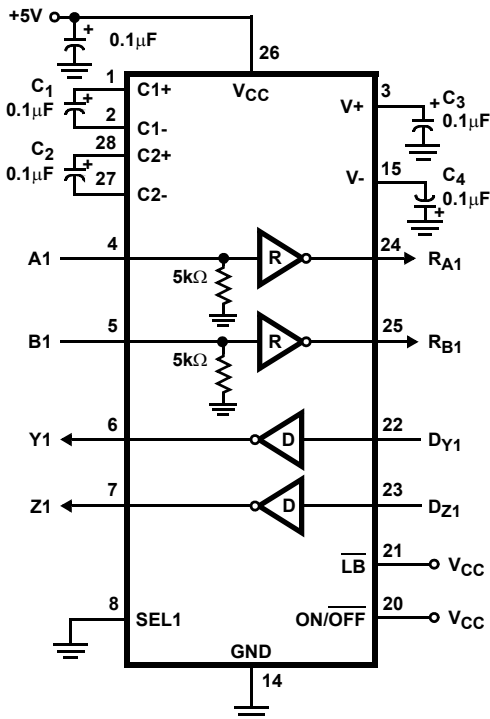
* Internally pulled high through a 40kΩ resistor.

Pin Descriptions

| PIN | MODE | FUNCTION |
|----------------------------|--------|--|
| GND | BOTH | Ground connection. |
| $\overline{\text{LB}}$ | BOTH | Enables loopback mode when low. Internally pulled-high. |
| NC | BOTH | No Connection. |
| $\overline{\text{ON/OFF}}$ | BOTH | If either port is in RS-232 mode, a low on $\overline{\text{ON/OFF}}$ disables the charge pumps. In either mode, a low disables all the outputs, and places the device in low power shutdown. Internally pulled-high. ON = 1 for normal operation. |
| $\overline{\text{RXEN}}$ | BOTH | Active low receiver output enable. Rx is enabled when $\overline{\text{RXEN}}$ is low; Rx is high impedance when $\overline{\text{RXEN}}$ is high. Internally pulled low. (QFN only) |
| SEL | BOTH | Interface Mode Select input. High puts corresponding port in RS-485 Mode, while a low puts it in RS-232 Mode. |
| V _{CC} | BOTH | System power supply input (5V). |
| V _L | BOTH | Logic-Level Supply. All TTL/CMOS inputs and outputs are powered by this supply. (QFN only) |
| A | RS-232 | Receiver input with ±15kV ESD protection. A low on A forces R _A high; A high on A forces R _A low. |
| | RS-485 | Inverting receiver input with ±15kV ESD protection. |
| B | RS-232 | Receiver input with ±15kV ESD protection. A low on B forces R _B high; A high on B forces R _B low. |
| | RS-485 | Noninverting receiver input with ±15kV ESD protection. |
| D _Y | RS-232 | Driver input. A low on D _Y forces output Y high. Similarly, a high on D _Y forces output Y low. |
| | RS-485 | Driver input. A low on D _Y forces output Y high and output Z low. Similarly, a high on D _Y forces output Y low and output Z high. |
| D _Z | RS-232 | Driver input. A low on D _Z forces output Z high. Similarly, a high on D _Z forces output Z low. |
| DE | RS-485 | Driver output enable. The driver outputs, Y and Z, are enabled by bringing DE high. They are high impedance when DE is low. Internally pulled high when port selected for RS-485 mode. |
| R _A | RS-232 | Receiver output. |
| | RS-485 | Receiver output: If B > A by at least -40mV, R _A is high; If B < A by -200mV or more, R _A is low; R _A = High if A and B are unconnected (floating) or shorted together (i.e., full fail-safe). |
| R _B | RS-232 | Receiver output. |
| | RS-485 | Not used. Internally pulled-high, and unaffected by $\overline{\text{RXEN}}$. |
| Y | RS-232 | Driver output with ±15kV ESD protection. |
| | RS-485 | Inverting driver output with ±15kV ESD protection. |
| Z | RS-232 | Driver output with ±15kV ESD protection. |
| | RS-485 | Noninverting driver output with ±15kV ESD protection. |
| SP | RS-485 | Speed control. Internally pulled-high. (QFN only) |
| C1+ | RS-232 | External capacitor (voltage doubler) is connected to this lead. Not needed if both ports in RS-485 Mode. |
| C1- | RS-232 | External capacitor (voltage doubler) is connected to this lead. Not needed if both ports in RS-485 Mode. |
| C2+ | RS-232 | External capacitor (voltage inverter) is connected to this lead. Not needed if both ports in RS-485 Mode. |
| C2- | RS-232 | External capacitor (voltage inverter) is connected to this lead. Not needed if both ports in RS-485 Mode. |
| V+ | RS-232 | Internally generated positive RS-232 transmitter supply (+5.5V). C3 not needed if both ports in RS-485 Mode. |
| V- | RS-232 | Internally generated negative RS-232 transmitter supply (-5.5V). C4 not needed if both ports in RS-485 Mode. |

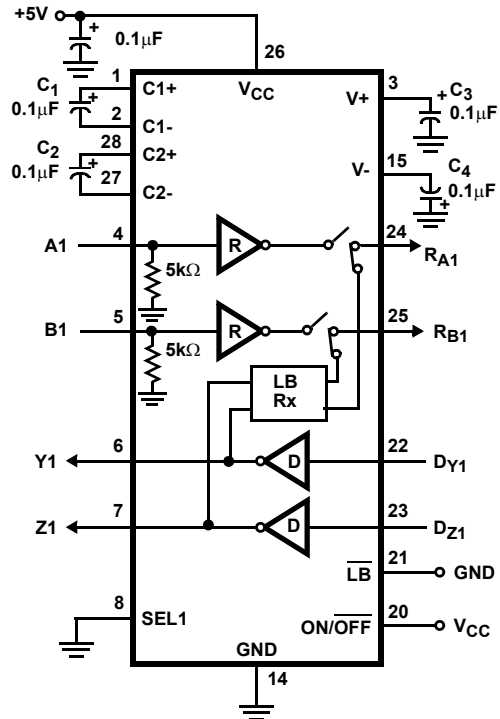
Typical Operating Circuit

RS-232 MODE WITHOUT LOOPBACK



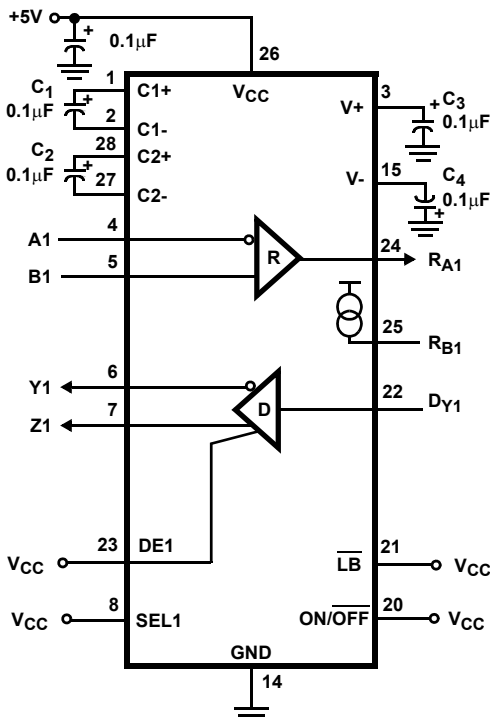
NOTE: PINOUT FOR SOIC AND SSOP SAME FOR PORT 2.

RS-232 MODE WITH LOOPBACK



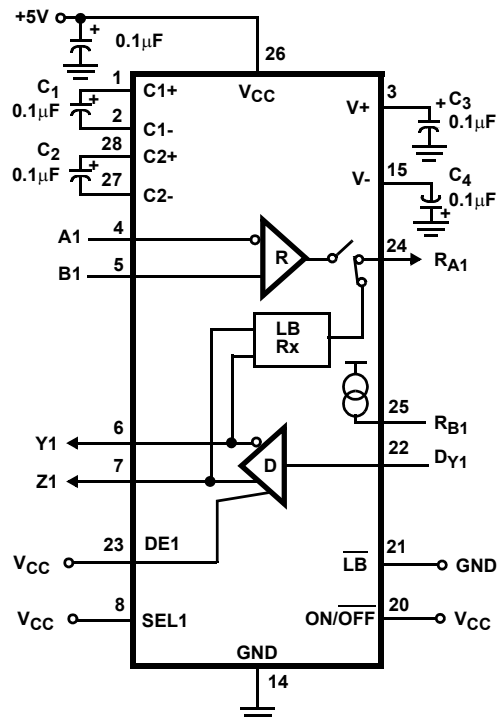
NOTE: PINOUT FOR SOIC AND SSOP SAME FOR PORT 2.

RS-485 MODE WITHOUT LOOPBACK



NOTE: PINOUT FOR SOIC AND SSOP SAME FOR PORT 2.

RS-485 MODE WITH LOOPBACK



NOTE: PINOUT FOR SOIC AND SSOP SAME FOR PORT 2.

Absolute Maximum Ratings (T_A = 25°C)

| | |
|---|-----------------------------------|
| V _{CC} to Ground | 7V |
| V _L (QFN Only) | -0.5V to V _{CC} + 0.5V |
| Input Voltages | |
| All Except A, B (non-QFN Package) | -0.5V to (V _{CC} + 0.5V) |
| All Except A, B (QFN Package) | -0.5V to (V _L + 0.5V) |
| Input/Output Voltages | |
| A, B (Any Mode) | -25V to +25V |
| Y, Z (Any Mode, Note 3) | -12.5V to +12.5V |
| R _A , R _B (non-QFN Package) | -0.5V to (V _{CC} + 0.5V) |
| R _A , R _B (QFN Package) | -0.5V to (V _L + 0.5V) |
| Output Short Circuit Duration | |
| Y, Z, R _A , R _B | Indefinite |
| ESD Rating | See Specification Table |

Thermal Information

| | |
|--|--|
| Thermal Resistance (Typical, Note 4) | θ _{JA} (°C/W) |
| 28 Ld SOIC Package | 65 |
| 28 Ld SSOP Package | 60 |
| 40 Ld QFN Package | 32 |
| Maximum Junction Temperature (Plastic Package) | 150°C |
| Maximum Storage Temperature Range | -65°C to 150°C |
| Maximum Lead Temperature (Soldering 10s) | 300°C (SOIC and SSOP - Lead Tips Only) |

Operating Conditions

| | |
|-------------------|---------------|
| Temperature Range | -40°C to 85°C |
|-------------------|---------------|

CAUTION: Stresses above those listed in "Absolute Maximum Ratings" may cause permanent damage to the device. This is a stress only rating and operation of the device at these or any other conditions above those indicated in the operational sections of this specification is not implied.

NOTES:

- One output at a time, I_{OUT} ≤ 100mA for ≤ 10 mins.
- QFN θ_{JA} is measured in free air with the component mounted on a high effective thermal conductivity test board with "direct attach" features. θ_{JA} for other packages is measured with the component mounted on a high effective thermal conductivity test board in free air. See Tech Brief TB379 and Tech Brief TB389 for details.

Electrical Specifications Test Conditions: V_{CC} = 4.5V to 5.5V, C1 - C4 = 0.1μF, V_L = V_{CC} (for QFN only); Unless Otherwise Specified. Typical values are at V_{CC} = 5V, T_A = 25°C (Note 5)

| PARAMETER | SYMBOL | TEST CONDITIONS | TEMP (°C) | MIN | TYP | MAX | UNITS | |
|---|------------------|---|------------------------|------|--------|-----------------|-------|----|
| DC CHARACTERISTICS - RS-485 DRIVER (SEL = V_{CC}) | | | | | | | | |
| Driver Differential V _{OUT} (no load) | V _{OD1} | | Full | - | - | V _{CC} | V | |
| Driver Differential V _{OUT} (with load) | V _{OD2} | R = 50Ω (RS-422) (Figure 1) | Full | 2.5 | 3.1 | - | V | |
| | | R = 27Ω (RS-485) (Figure 1) | Full | 2.2 | 2.7 | 5 | V | |
| | V _{OD3} | R _D = 60Ω, R = 375Ω, V _{CM} = -7V to 12V (Figure 1) | Full | 2 | 2.7 | 5 | V | |
| Change in Magnitude of Driver Differential V _{OUT} for Complementary Output States | ΔV _{OD} | R = 27Ω or 50Ω (Figure 1) | Full | - | 0.01 | 0.2 | V | |
| Driver Common-Mode V _{OUT} | V _{OC} | R = 27Ω or 50Ω (Figure 1) (Note 9) | Full | - | - | 3.1 | V | |
| Change in Magnitude of Driver Common-Mode V _{OUT} for Complementary Output States | ΔV _{OC} | R = 27Ω or 50Ω (Figure 1) (Note 9) | Full | - | 0.01 | 0.2 | V | |
| Driver Short-Circuit Current, V _{OUT} = High or Low | I _{OS} | -7V ≤ (V _Y or V _Z) ≤ 12V (Note 7) | Full | 35 | - | 250 | mA | |
| Driver Three-State Output Leakage Current (Y, Z) | I _{OZ} | Outputs Disabled, V _{CC} = 0V or 5.5V | V _{OUT} = 12V | Full | - | - | 500 | μA |
| | | | V _{OUT} = -7V | Full | -200 | - | - | μA |
| DC CHARACTERISTICS - RS-232 DRIVER (SEL = GND) | | | | | | | | |
| Driver Output Voltage Swing | V _O | All T _{OUTS} Loaded with 3kΩ to Ground | Full | ±5.0 | +6/-7 | - | V | |
| Driver Output Short-Circuit Current | I _{OS} | V _{OUT} = 0V | Full | -60 | 25/-35 | 60 | mA | |
| DC CHARACTERISTICS - LOGIC PINS (i.e., DRIVER AND CONTROL INPUT PINS) | | | | | | | | |
| Input High Voltage | V _{IH1} | V _L = V _{CC} if QFN | Full | 2 | 1.6 | - | V | |
| | V _{IH2} | V _L = 3.3V (QFN Only) | Full | 2 | 1.2 | - | V | |
| | V _{IH3} | V _L = 2.5V (QFN Only) | Full | 1.5 | 1 | - | V | |

ISL81334, ISL41334

Electrical Specifications Test Conditions: $V_{CC} = 4.5V$ to $5.5V$, $C1 - C4 = 0.1\mu F$, $V_L = V_{CC}$ (for QFN only); Unless Otherwise Specified. Typical values are at $V_{CC} = 5V$, $T_A = 25^\circ C$ (Note 5) **(Continued)**

| PARAMETER | SYMBOL | TEST CONDITIONS | TEMP (°C) | MIN | TYP | MAX | UNITS | |
|--|-----------------|---|----------------|------|-------|----------|------------|---------|
| Input Low Voltage | V_{IL1} | $V_L = V_{CC}$ if QFN | Full | - | 1.4 | 0.8 | V | |
| | V_{IL2} | $V_L = 3.3V$ (QFN Only) | Full | - | 1 | 0.7 | V | |
| | V_{IL3} | $V_L = 2.5V$ (QFN Only) | Full | - | - | 0.5 | V | |
| Input Current | I_{IN1} | Pins Without Pull-ups or Pull-downs | Full | -2 | - | 2 | μA | |
| | I_{IN2} | \overline{LB} , ON/\overline{OFF} , DE , SP (QFN), \overline{RXEN} (QFN) | Full | -25 | - | 25 | μA | |
| DC CHARACTERISTICS - RS-485 RECEIVER INPUTS (SEL = V_{CC}) | | | | | | | | |
| Receiver Differential Threshold Voltage | V_{TH} | $-7V \leq V_{CM} \leq 12V$, Full Failsafe | Full | -0.2 | - | -0.04 | V | |
| Receiver Input Hysteresis | ΔV_{TH} | $V_{CM} = 0V$ | 25 | - | 35 | - | mV | |
| Receiver Input Current (A, B) | I_{IN} | $V_{CC} = 0V$ or 4.5 to $5.5V$ | $V_{IN} = 12V$ | Full | - | - | 0.8 | mA |
| | | | $V_{IN} = -7V$ | Full | -0.64 | - | - | mA |
| Receiver Input Resistance | R_{IN} | $-7V \leq V_{CM} \leq 12V$, $V_{CC} = 0$ (Note 8) or $4.5V \leq V_{CC} \leq 5.5V$ | Full | 15 | - | - | k Ω | |
| DC CHARACTERISTICS - RS-232 RECEIVER INPUTS (SEL = GND) | | | | | | | | |
| Receiver Input Voltage Range | V_{IN} | | Full | -25 | - | 25 | V | |
| Receiver Input Threshold | V_{IL} | | Full | - | 1.4 | 0.8 | V | |
| | V_{IH} | | Full | 2.4 | 1.9 | - | V | |
| Receiver Input Hysteresis | ΔV_{TH} | | 25 | - | 0.5 | - | V | |
| Receiver Input Resistance | R_{IN} | $V_{IN} = \pm 15V$, V_{CC} Powered Up (Note 8) | Full | 3 | 5 | 7 | k Ω | |
| DC CHARACTERISTICS - RECEIVER OUTPUTS (485 OR 232 MODE) | | | | | | | | |
| Receiver Output High Voltage | V_{OH1} | $I_O = -2mA$ ($V_L = V_{CC}$ if QFN) | Full | 3.5 | 4.6 | - | V | |
| | V_{OH2} | $I_O = -650\mu A$, $V_L = 3V$, QFN Only | Full | 2.6 | 2.9 | - | V | |
| | V_{OH3} | $I_O = -500\mu A$, $V_L = 2.5V$, QFN Only | Full | 2 | 2.4 | - | V | |
| Receiver Output Low Voltage | V_{OL} | $I_O = 3mA$ | Full | - | 0.1 | 0.4 | V | |
| Receiver Short-Circuit Current | I_{OSR} | $0V \leq V_O \leq V_{CC}$ | Full | 7 | - | 85 | mA | |
| Receiver Three-State Output Current | I_{OZR} | Output Disabled, $0V \leq V_O \leq V_{CC}$ (or V_L for QFN) | Full | - | - | ± 10 | μA | |
| Unused Receiver (R_B) Pull-Up Resistance | R_{OBZ} | $ON/\overline{OFF} = V_{CC}$, $SELX = V_{CC}$ (RS-485 Mode) | 25 | - | 40 | - | k Ω | |
| POWER SUPPLY CHARACTERISTICS | | | | | | | | |
| No-Load Supply Current, Note 6 | I_{CC232} | $SEL1$ or $SEL2 = GND$, $\overline{LB} = ON/\overline{OFF} = V_{CC}$ | Full | - | 3.7 | 7 | mA | |
| | I_{CC485} | $SEL 1 \& 2 = \overline{LB} = DE = ON/\overline{OFF} = V_{CC}$ | Full | - | 1.6 | 5 | mA | |
| Shutdown Supply Current | $I_{SHDN232}$ | $ON/\overline{OFF} = SELX = GND$, $\overline{LB} = V_{CC}$, ($SPX = V_{CC}$ if QFN) | Full | - | 25 | 50 | μA | |
| | $I_{SHDN485}$ | $ON/\overline{OFF} = DEX = GND$, $SELX = \overline{LB} = V_{CC}$, ($SPX = GND$ if QFN) | SOIC/SSOP | Full | - | 42 | 80 | μA |
| QFN | | | Full | - | 80 | 160 | μA | |
| ESD CHARACTERISTICS | | | | | | | | |
| Bus Pins (A, B, Y, Z) Any Mode | | Human Body Model | 25 | - | 15 | - | kV | |
| All Other Pins | | Human Body Model | 25 | - | 4 | - | kV | |

ISL81334, ISL41334

Electrical Specifications Test Conditions: $V_{CC} = 4.5V$ to $5.5V$, $C_1 - C_4 = 0.1\mu F$, $V_L = V_{CC}$ (for QFN only); Unless Otherwise Specified. Typicals are at $V_{CC} = 5V$, $T_A = 25^\circ C$ (Note 5) (Continued)

| PARAMETER | SYMBOL | TEST CONDITIONS | TEMP (°C) | MIN | TYP | MAX | UNITS | |
|--|--------------------|--|-------------------|------|-----|------|---------|------------|
| RS-232 DRIVER AND RECEIVER SWITCHING CHARACTERISTICS (SEL = GND, ALL VERSIONS AND SPEEDS) | | | | | | | | |
| Driver Output Transition Region Slew Rate | SR | $R_L = 3k\Omega$, Measured From 3V to -3V or -3V to 3V | $C_L \geq 15pF$ | Full | - | 18 | 30 | V/ μs |
| | | | $C_L \leq 2500pF$ | Full | 4 | 12 | - | V/ μs |
| Driver Output Transition Time | t_r, t_f | $R_L = 3k\Omega$, $C_L = 2500pF$, 10% - 90% | Full | 0.22 | 1.2 | 3.1 | μs | |
| Driver Propagation Delay | t_{DPHL} | $R_L = 3k\Omega$, $C_L = 1000pF$ (Figure 6) | Full | - | 1 | 2 | μs | |
| | t_{DPLH} | | Full | - | 1.2 | 2 | μs | |
| Driver Propagation Delay Skew | t_{DSKEW} | $t_{DPHL} - t_{DPLH}$ (Figure 6) | Full | - | 240 | 400 | ns | |
| Driver Enable Time from Shutdown | t_{DENSD} | $V_{OUT} = \pm 3.0V$ | 25 | - | 20 | - | μs | |
| Driver Maximum Data Rate | DR_D | $R_L = 3k\Omega$, $C_L = 1000pF$, One Transmitter Switching per port | Full | 460 | 650 | - | kbps | |
| Receiver Propagation Delay | t_{RPHL} | $C_L = 15pF$ (Figure 7) | Full | - | 50 | 120 | ns | |
| | t_{RPLH} | | Full | - | 40 | 120 | ns | |
| Receiver Propagation Delay Skew | t_{RSKEW} | $t_{RPHL} - t_{RPLH}$ (Figure 7) | Full | - | 10 | 40 | ns | |
| Receiver Maximum Data Rate | DR_R | $C_L = 15pF$ | Full | 0.46 | 2 | - | Mbps | |
| RS-485 DRIVER SWITCHING CHARACTERISTICS (FAST DATA RATE (20Mbps), SEL = V_{CC}, ALL VERSIONS (SPA = V_{CC} if QFN)) | | | | | | | | |
| Driver Differential Input to Output Delay | t_{DLH}, t_{DHL} | $R_{DIFF} = 54\Omega$, $C_L = 100pF$ (Figure 2) | Full | 15 | 30 | 50 | ns | |
| Driver Output Skew | t_{SKEW} | $R_{DIFF} = 54\Omega$, $C_L = 100pF$ (Figure 2) | Full | - | 0.5 | 10 | ns | |
| Driver Differential Rise or Fall Time | t_R, t_F | $R_{DIFF} = 54\Omega$, $C_L = 100pF$, Figure 2 | Full | 3 | 11 | 20 | ns | |
| Driver Enable to Output Low | t_{ZL} | $C_L = 100pF$, SW = V_{CC} (Figure 3) | Full | - | 27 | 60 | ns | |
| Driver Enable to Output High | t_{ZH} | $C_L = 100pF$, SW = GND (Figure 3) | Full | - | 24 | 60 | ns | |
| Driver Disable from Output Low | t_{LZ} | $C_L = 15pF$, SW = V_{CC} (Figure 3) | Full | - | 31 | 60 | ns | |
| Driver Disable from Output High | t_{HZ} | $C_L = 15pF$, SW = GND (Figure 3) | Full | - | 24 | 60 | ns | |
| Driver Enable from Shutdown to Output Low | $t_{ZL(SHDN)}$ | $R_L = 500\Omega$, $C_L = 100pF$, SW = V_{CC} (Figure 3) | Full | - | 65 | 250 | ns | |
| Driver Enable from Shutdown to Output High | $t_{ZH(SHDN)}$ | $R_L = 500\Omega$, $C_L = 100pF$, SW = GND (Figure 3) | Full | - | 152 | 250 | ns | |
| Driver Maximum Data Rate | f_{MAX} | $R_{DIFF} = 54\Omega$, $C_L = 100pF$ (Figure 2) | Full | - | 30 | - | Mbps | |
| RS-485 DRIVER SWITCHING CHARACTERISTICS (MEDIUM DATA RATE (460kbps, QFN ONLY), SEL = V_{CC}, SPA = SPB= GND) | | | | | | | | |
| Driver Differential Input to Output Delay | t_{DLH}, t_{DHL} | $R_{DIFF} = 54\Omega$, $C_L = 100pF$ (Figure 2) | Full | 200 | 490 | 1000 | ns | |
| Driver Output Skew | t_{SKEW} | $R_{DIFF} = 54\Omega$, $C_L = 100pF$ (Figure 2) | Full | - | 110 | 400 | ns | |
| Driver Differential Rise or Fall Time | t_R, t_F | $R_{DIFF} = 54\Omega$, $C_L = 100pF$ (Figure 2) | Full | 300 | 600 | 1100 | ns | |
| Driver Enable to Output Low | t_{ZL} | $C_L = 100pF$, SW = V_{CC} (Figure 3) | Full | - | 30 | 300 | ns | |
| Driver Enable to Output High | t_{ZH} | $C_L = 100pF$, SW = GND (Figure 3) | Full | - | 128 | 300 | ns | |
| Driver Disable from Output Low | t_{LZ} | $C_L = 15pF$, SW = V_{CC} (Figure 3) | Full | - | 31 | 60 | ns | |
| Driver Disable from Output High | t_{HZ} | $C_L = 15pF$, SW = GND (Figure 3) | Full | - | 24 | 60 | ns | |
| Driver Enable from Shutdown to Output Low | $t_{ZL(SHDN)}$ | $R_L = 500\Omega$, $C_L = 100pF$, SW = V_{CC} (Figure 3) | Full | - | 65 | 500 | ns | |
| Driver Enable from Shutdown to Output High | $t_{ZH(SHDN)}$ | $R_L = 500\Omega$, $C_L = 100pF$, SW = GND (Figure 3) | Full | - | 255 | 500 | ns | |

ISL81334, ISL41334

Electrical Specifications Test Conditions: $V_{CC} = 4.5V$ to $5.5V$, $C1 - C4 = 0.1\mu F$, $V_L = V_{CC}$ (for QFN only); Unless Otherwise Specified. Typical values are at $V_{CC} = 5V$, $T_A = 25^\circ C$ (Note 5) **(Continued)**

| PARAMETER | SYMBOL | TEST CONDITIONS | TEMP (°C) | MIN | TYP | MAX | UNITS | |
|--|-----------------------|--|-------------|------|------|------|-------|----|
| Driver Maximum Data Rate | f_{MAX} | $R_{DIFF} = 54\Omega$, $C_L = 100pF$ (Figure 2) | Full | - | 2000 | - | kbps | |
| RS-485 DRIVER SWITCHING CHARACTERISTICS (SLOW DATA RATE (115kbps, QFN ONLY), SEL = V_{CC}, SPA = GND, SPB = V_{CC}) | | | | | | | | |
| Driver Differential Input to Output Delay | t_{DLH} , t_{DHL} | $R_{DIFF} = 54\Omega$, $C_L = 100pF$ (Figure 2) | Full | 800 | 1500 | 2500 | ns | |
| Driver Output Skew | t_{SKEW} | $R_{DIFF} = 54\Omega$, $C_L = 100pF$ (Figure 2) | Full | - | 350 | 1250 | ns | |
| Driver Differential Rise or Fall Time | t_R , t_F | $R_{DIFF} = 54\Omega$, $C_L = 100pF$ (Figure 2) | Full | 1000 | 2000 | 3100 | ns | |
| Driver Enable to Output Low | t_{ZL} | $C_L = 100pF$, $SW = V_{CC}$ (Figure 3) | Full | - | 32 | 600 | ns | |
| Driver Enable to Output High | t_{ZH} | $C_L = 100pF$, $SW = GND$ (Figure 3) | Full | - | 300 | 600 | ns | |
| Driver Disable from Output Low | t_{LZ} | $C_L = 15pF$, $SW = V_{CC}$ (Figure 3) | Full | - | 31 | 60 | ns | |
| Driver Disable from Output High | t_{HZ} | $C_L = 15pF$, $SW = GND$ (Figure 3) | Full | - | 24 | 60 | ns | |
| Driver Enable from Shutdown to Output Low | $t_{ZL(SHDN)}$ | $R_L = 500\Omega$, $C_L = 100pF$, $SW = V_{CC}$ (Figure 3) | Full | - | 65 | 800 | ns | |
| Driver Enable from Shutdown to Output High | $t_{ZH(SHDN)}$ | $R_L = 500\Omega$, $C_L = 100pF$, $SW = GND$ (Figure 3) | Full | - | 420 | 800 | ns | |
| Driver Maximum Data Rate | f_{MAX} | $R_{DIFF} = 54\Omega$, $C_L = 100pF$ (Figure 2) | Full | - | 800 | - | kbps | |
| RS-485 RECEIVER SWITCHING CHARACTERISTICS (SEL = V_{CC}, ALL VERSIONS AND SPEEDS) | | | | | | | | |
| Receiver Input to Output Delay | t_{PLH} , t_{PHL} | (Figure 4) | Full | 20 | 50 | 90 | ns | |
| Receiver Skew $t_{PLH} - t_{PHL}$ | t_{SKEW} | (Figure 4) | Full | - | 0.1 | 10 | ns | |
| Receiver Maximum Data Rate | f_{MAX} | | Full | - | 40 | - | Mbps | |
| RECEIVER ENABLE/DISABLE CHARACTERISTICS (ALL MODES AND SPEEDS) | | | | | | | | |
| Receiver Enable to Output Low | t_{ZL} | QFN Only, $C_L = 15pF$, $SW = V_{CC}$ (Figure 5) | Full | - | 22 | 60 | ns | |
| Receiver Enable to Output High | t_{ZH} | QFN Only, $C_L = 15pF$, $SW = GND$ (Figure 5) | Full | - | 23 | 60 | ns | |
| Receiver Disable from Output Low | t_{LZ} | QFN Only, $C_L = 15pF$, $SW = V_{CC}$ (Figure 5) | Full | - | 24 | 60 | ns | |
| Receiver Disable from Output High | t_{HZ} | QFN Only, $C_L = 15pF$, $SW = GND$ (Figure 5) | Full | - | 25 | 60 | ns | |
| Receiver Enable from Shutdown to Output Low | t_{ZLSHDN} | $C_L = 15pF$, $SW = V_{CC}$ (Figure 5) | RS-485 Mode | Full | - | 260 | 700 | ns |
| | | | RS-232 Mode | 25 | - | 35 | - | ns |
| Receiver Enable from Shutdown to Output High | t_{ZHSHDN} | $C_L = 15pF$, $SW = GND$ (Figure 5) | RS-485 Mode | Full | - | 260 | 700 | ns |
| | | | RS-232 Mode | 25 | - | 25 | - | ns |

NOTES:

5. All currents into device pins are positive; all currents out of device pins are negative. All voltages are referenced to device ground unless otherwise specified.
6. Supply current specification is valid for loaded drivers when $DE = 0V$ (RS-485 mode only).
7. Applies to peak current. See "Typical Performance Curves" for more information.
8. R_{IN} defaults to RS-485 mode ($>15k\Omega$) when the device is unpowered ($V_{CC} = 0V$), regardless of the state of the SEL inputs.
9. $V_{CC} \leq 5.25V$.

Test Circuits and Waveforms

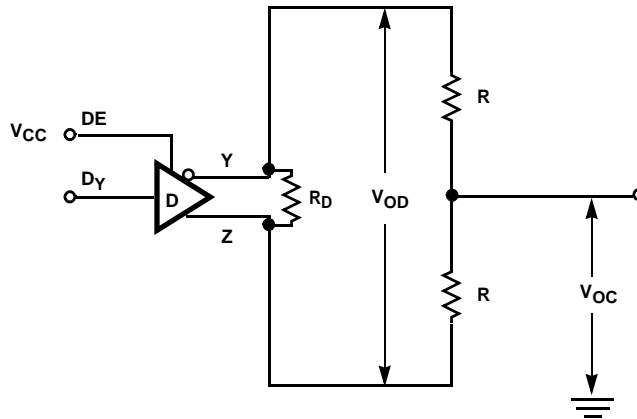


FIGURE 1. RS-485 DRIVER V_{OD} AND V_{OC} TEST CIRCUIT

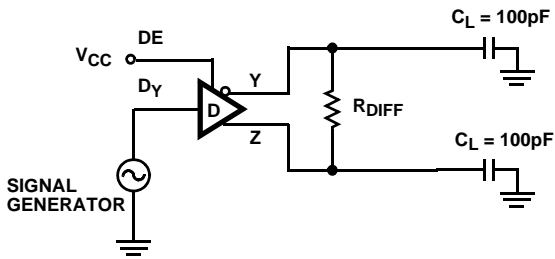
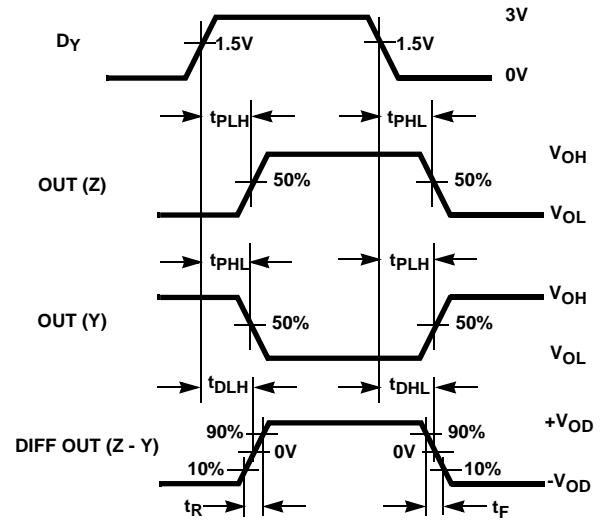


FIGURE 2A. TEST CIRCUIT

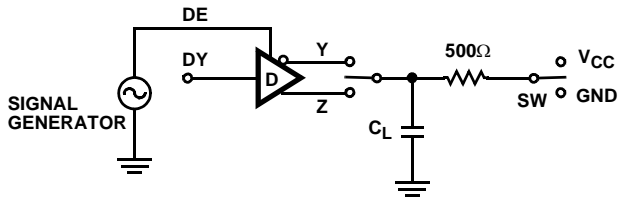


$$\text{SKEW} = |t_{PLH}(Y \text{ or } Z) - t_{PHL}(Z \text{ or } Y)|$$

FIGURE 2B. MEASUREMENT POINTS

FIGURE 2. RS-485 DRIVER PROPAGATION DELAY AND DIFFERENTIAL TRANSITION TIMES

Test Circuits and Waveforms (Continued)



FOR SHDN TESTS, SWITCH ON/OFF RATHER THAN DE

| PARAMETER | ON/DE | OUTPUT | DY | SW | CL (pF) |
|-----------------------|-------|--------|-----|-----------------|---------|
| t _{HZ} | 1/- | Y/Z | 0/1 | GND | 15 |
| t _{LZ} | 1/- | Y/Z | 1/0 | V _{CC} | 15 |
| t _{ZH} | 1/- | Y/Z | 0/1 | GND | 100 |
| t _{ZL} | 1/- | Y/Z | 1/0 | V _{CC} | 100 |
| t _{ZH(SHDN)} | -/1 | Y/Z | 0/1 | GND | 100 |
| t _{ZL(SHDN)} | -/1 | Y/Z | 1/0 | V _{CC} | 100 |

FIGURE 3A. TEST CIRCUIT

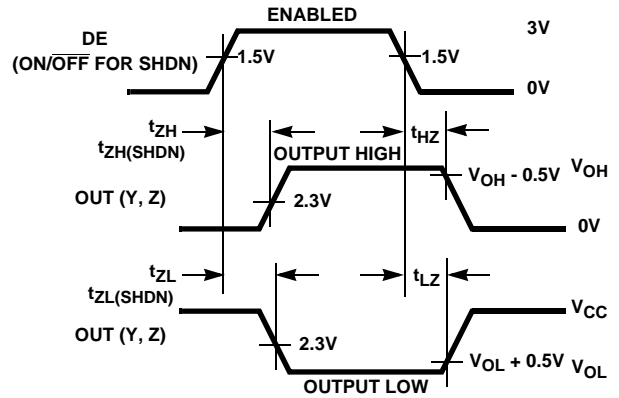


FIGURE 3B. MEASUREMENT POINTS

FIGURE 3. RS-485 DRIVER ENABLE AND DISABLE TIMES

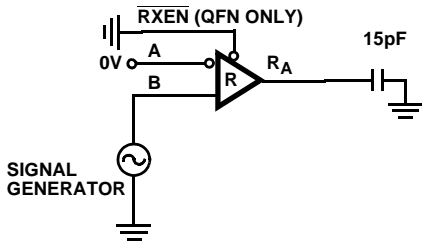


FIGURE 4A. TEST CIRCUIT

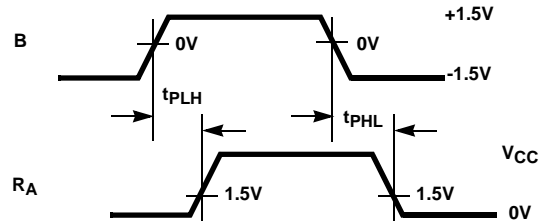
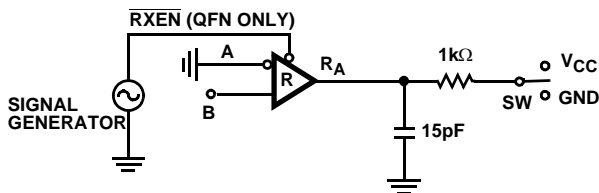


FIGURE 4B. MEASUREMENT POINTS

FIGURE 4. RS-485 RECEIVER PROPAGATION DELAY



FOR SHDN TESTS, SWITCH ON/OFF RATHER THAN RXEN

| PARAMETER | ON/RXEN | B | SW |
|----------------------------|---------|-------|-----------------|
| t _{HZ} (QFN Only) | 1/- | +1.5V | GND |
| t _{LZ} (QFN Only) | 1/- | -1.5V | V _{CC} |
| t _{ZH} (QFN Only) | 1/- | +1.5V | GND |
| t _{ZL} (QFN Only) | 1/- | -1.5V | V _{CC} |
| t _{ZH(SHDN)} | -/0 | +1.5V | GND |
| t _{ZL(SHDN)} | -/0 | -1.5V | V _{CC} |

FIGURE 5A. TEST CIRCUIT

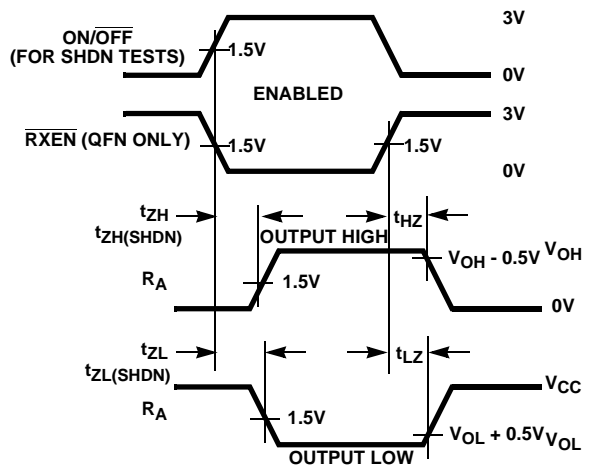


FIGURE 5B. MEASUREMENT POINTS

FIGURE 5. RS-485 RECEIVER ENABLE AND DISABLE TIMES

Test Circuits and Waveforms (Continued)

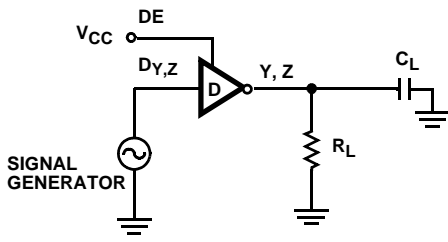


FIGURE 6A. TEST CIRCUIT

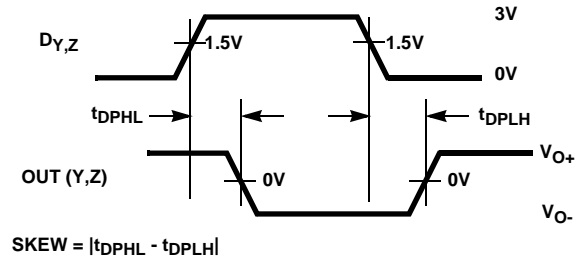


FIGURE 6B. MEASUREMENT POINTS

FIGURE 6. RS-232 DRIVER PROPAGATION DELAY AND TRANSITION TIMES

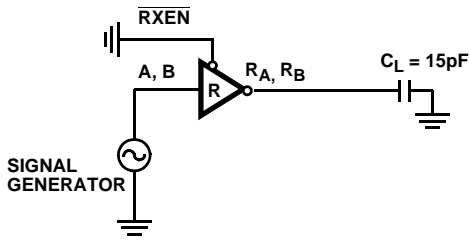


FIGURE 7A. TEST CIRCUIT

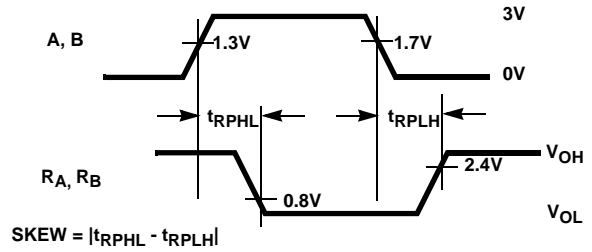


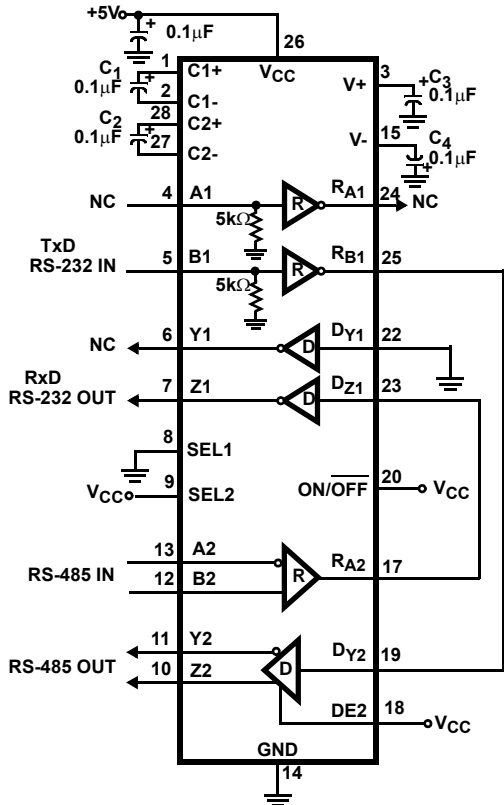
FIGURE 7B. MEASUREMENT POINTS

FIGURE 7. RS-232 RECEIVER PROPAGATION DELAY AND TRANSITION TIMES

Typical Application

RS-232 to RS-485 Converter

The ISLX1334 are ideal for implementing a single IC 2-wire (Tx Data, Rx Data) protocol converter, because each port can be programmed for a different protocol. Figure 8 illustrates the simple connections to create a single transceiver RS-232 to RS-485 converter. Depending on the RS-232 data rate, using an RS-422 bus as an RS-232 “extension cord” can extend the transmission distance up to 4000’ (1220m). A similar circuit on the other end of the cable completes the conversion to/from RS-232.



NOTE: PINOUT FOR SOIC AND SSOP

FIGURE 8. SINGLE IC RS-232 TO RS-485 CONVERTER

Detailed Description

Each of the two ISLX1334 ports supports dual protocols: RS-485/422, and RS-232. RS-485 and RS-422 are differential (balanced) data transmission standards for use in high speed (up to 20Mbps) networks, or long haul and noisy environments. The differential signaling, coupled with RS-485’s requirement for extended common mode range (CMR) of +12V to -7V make these transceivers extremely tolerant of ground potential differences, as well as voltages induced in the cable by external fields. Both of these effects are real concerns when communicating over the RS-485/422 maximum distance of 4000’ (1220m). It is important to note that the ISLX1334 don’t follow the RS-485 convention whereby the inverting I/O is labeled “B/Z”, and the noninverting I/O is “A/Y”. Thus, in the application diagrams below the 1334 A/Y (B/Z) pins connect to the B/Z (A/Y) pins of the generic RS-485/422 ICs.

RS-422 is typically a point-to-point (one driver talking to one receiver on a bus), or a point-to-multipoint (multidrop) standard that allows only one driver and up to 10 receivers on each bus. Because of the one driver per bus limitation, RS-422 networks use a two bus, full duplex structure for bidirectional communication, and the Rx inputs and Tx outputs (no tri-state required) connect to different busses, as shown in Figure 10.

Conversely, RS-485 is a true multipoint standard, which allows up to 32 devices (any combination of drivers- must be tri-statable - and receivers) on each bus. Now bidirectional communication takes place on a single bus, so the Rx inputs and Tx outputs of a port connect to the same bus lines, as shown in Figure 9. Each port set to RS-485 /422 mode includes one Rx and one Tx.

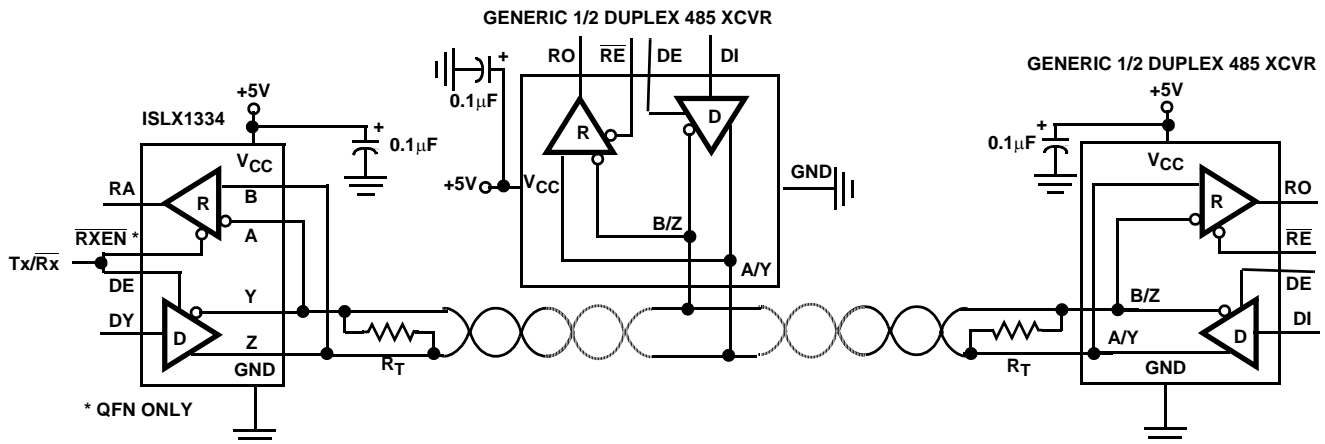


FIGURE 9. TYPICAL HALF DUPLEX RS-485 NETWORK

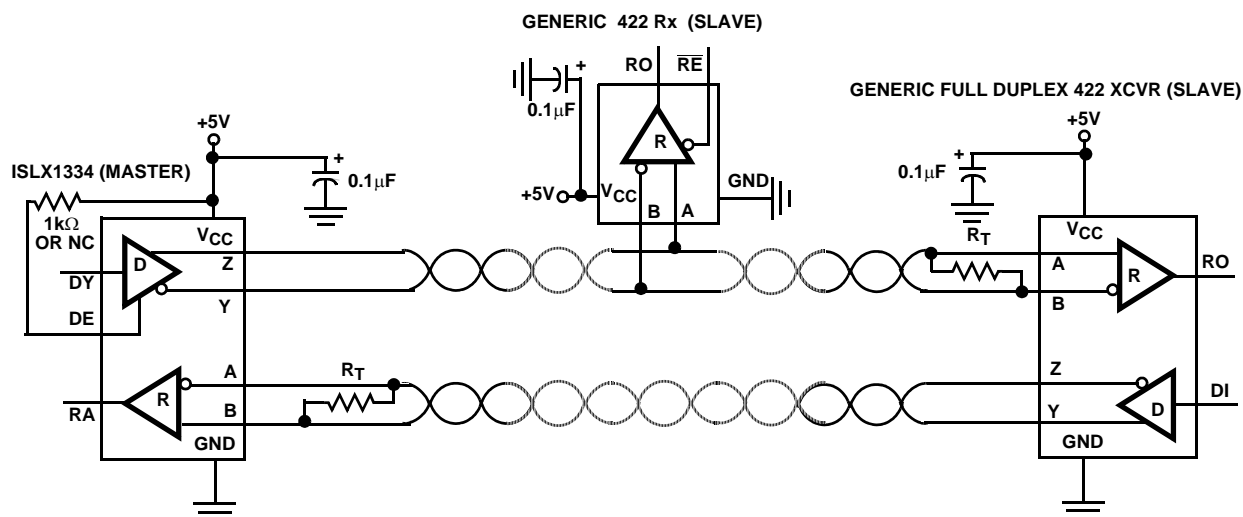


FIGURE 10. TYPICAL RS-422 NETWORK

RS-232 is a point-to-point, singled ended (signal voltages referenced to GND) communication protocol targeting fairly short (<150', 46m) and low data rate (<1Mbps) applications. Each port contains two transceivers (2 Tx and 2 Rx) in RS-232 mode.

Protocol selection is handled via a logic pin (SELX) for each port.

ISLX1334 Advantages

- These dual protocol ICs offer many parametric improvements versus those offered on competing dual protocol devices. Some of the major improvements are:
- 15kV Bus Pin ESD - Eases board level requirements;
- 2.7V Diff V_{OUT} - Better Noise immunity and/or distance;
- Full Failsafe RS-485 Rx - Eliminates bus biasing;
- Selectable RS-485 Data Rate - Up to 20Mbps, or slew rate limited for low EMI and fewer termination issues;
- High RS-232 Data Rate - >460kbps
- Lower Tx and Rx Skews - Wider, consistent bit widths;
- Lower I_{CC} - Max I_{CC} is 2-4X lower than competition;
- Flow-Thru Pinouts - Tx, Rx bus pins on one side/logic pins on the other, for easy routing to connector/UART;
- Smaller (SSOP and QFN) and Pb-free Packaging.

RS-232 Mode

Rx Features

RS-232 receivers invert and convert RS-232 input levels ($\pm 3V$ to $\pm 25V$) to the standard TTL/CMOS levels required by a UART, ASIC, or μ controller serial port. Receivers are designed to operate at faster data rates than the drivers, and they feature very low skews (10ns) so the receivers contribute negligibly to bit width distortion. Inputs include the standards required 3k Ω to 7k Ω pulldown resistor, so unused inputs may be left unconnected. Rx inputs also have built-in hysteresis to increase noise immunity, and to decrease erroneous triggering due to slowly transitioning input signals.

Rx outputs are short circuit protected, and are only tri-statable when the entire IC is shutdown via the ON/OFF pin, or via the active low \overline{RXEN} pin available on the QFN package option (see "ISL41334 Special Features" for more details).

Tx Features

RS-232 drivers invert and convert the standard TTL/CMOS levels from a UART, or μ controller serial port to RS-232 compliant levels ($\pm 5V$ minimum). The Tx delivers these compliant output levels even at data rates of 650kbps, and with loads of 1000pF. The drivers are designed for low skew (typically 12% of the 500kbps bit width), and are compliant to the RS-232 slew rate spec (4 to 30V/ μ s) for a wide range of load capacitances. Tx inputs float if left unconnected, and may cause I_{CC} increases. For the best results, connect unused inputs to GND.

Tx outputs are short circuit protected, and incorporate a thermal SHDN feature to protect the IC in situations of severe power dissipation. See the RS-485 section for more details. Drivers tri-state only in SHDN, or when the 5V power supply is off. The SHDN function is useful for tri-stating the outputs if both ports will always be tri-stated together (e.g., used as a four transceiver RS-232 port), and if it is acceptable for the Rx to be disabled as well. A single port Tx disable can be accomplished by switching the port to RS-485 mode, and then using the corresponding DE pin to tri-state the drivers. Of course, the Rx is now an RS-485 Rx, so this option is feasible only if the Rx aren't needed when the Tx are disabled.

Charge Pumps

The on-chip charge pumps create the RS-232 transmitter power supplies (typically +6/-7V) from a single supply as low as 4.5V, and are enabled only if either port is configured for RS-232 operation. The efficient design requires only four

small 0.1 μ F capacitors for the voltage doubler and inverter functions. By operating discontinuously (i.e., turning off as soon as V+ and V- pump up to the nominal values), the charge pump contribution to RS-232 mode I_{CC} is reduced significantly. Unlike competing devices that require the charge pump in RS-485 mode, disabling the charge pump saves power, and minimizes noise. If the application keeps both ports in RS-485 mode (e.g., a dedicated dual channel RS-485 interface), then the charge pump capacitors aren't even required.

Data Rates and Cabling

Drivers operate at data rates up to 650kbps, and are guaranteed for data rates up to 460kbps. The charge pumps and drivers are designed such that one driver in each port can be operated at the rated load, and at 460kbps (see Figure 34). Figure 34 also shows that drivers can easily drive several thousands of picofarads at data rates up to 250kbps, while still delivering compliant $\pm 5V$ output levels.

Receivers operate at data rates up to 2Mbps. They are designed for a higher data rate to facilitate faster factory downloading of software into the final product, thereby improving the user's manufacturing throughput.

Figures 37 and 38 illustrate driver and receiver waveforms at 250kbps, and 500kbps, respectively. For these graphs, one driver of each port drives the specified capacitive load, and a receiver in the port.

RS-232 doesn't require anything special for cabling; just a single bus wire per transmitter and receiver, and another wire for GND. So an ISLX1334 RS-232 port uses a five conductor cable for interconnection. Bus terminations are not required, nor allowed, by the RS-232 standard.

RS-485 Mode

Rx Features

RS-485 receivers convert differential input signals as small as 200mV, as required by the RS-485 and RS-422 standards, to TTL/CMOS output levels. The differential Rx provides maximum sensitivity, noise immunity, and common mode rejection. Per the RS-485 standard, receiver inputs function with common mode voltages as great as $\pm 7V$ outside the power supplies (i.e., +12V and -7V), making them ideal for long networks where induced voltages are a realistic concern. Each RS-485/422 port includes a single receiver (RA), and the unused Rx output (RB) is disabled, but pulled high by an internal current source. The internal current source turns off in SHDN.

Worst case receiver input currents are 20% lower than the "unit load" (1mA) RS-485 limit, which translates to a 15k Ω minimum input resistance.

These receivers include a "full fail-safe" function that guarantees a high level receiver output if the receiver inputs are unconnected (floating), shorted together, or if the bus is

terminated but undriven (i.e., differential voltage collapses to near zero due to termination). Failsafe with shorted, or terminated and undriven inputs is accomplished by setting the Rx upper switching point at -40mV, thereby ensuring that the Rx recognizes a 0V differential as a high level.

All the Rx outputs are short circuit protected, and are tri-state when the IC is forced into SHDN, but ISL81334 (SOIC and SSOP) receiver outputs are not independently tri-statable. ISL41334 (QFN) receiver outputs are tri-statable via an active low RXEN input for each port (see "ISL41334 Special Features" for more details).

Tx Features

The RS-485/422 driver is a differential output device that delivers at least 2.2V across a 54 Ω load (RS-485), and at least 2.5V across a 100 Ω load (RS-422). Both levels significantly exceed the standards requirements, and these exceptional output voltages increase system noise immunity, and/or allow for transmission over longer distances. The drivers feature low propagation delay skew to maximize bit widths, and to minimize EMI.

To allow multiple drivers on a bus, the RS-485 spec requires that drivers survive worst case bus contentions undamaged. The ISLX1334 drivers meet this requirement via driver output short circuit current limits, and on-chip thermal shutdown circuitry. The output stages incorporate current limiting circuitry that ensures that the output current never exceeds the RS-485 spec, even at the common mode voltage range extremes. In the event of a major short circuit condition, devices also include a thermal shutdown feature that disables the drivers whenever the die temperature becomes excessive. This eliminates the power dissipation, allowing the die to cool. The drivers automatically re-enable after the die temperature drops about 15 degrees. If the contention persists, the thermal shutdown/re-enable cycle repeats until the fault is cleared. Receivers stay operational during thermal shutdown.

RS-485 multi-driver operation also requires drivers to include tri-state functionality, so each port has a DE pin to control this function. If the driver is used in an RS-422 network, such that driver tri-state isn't required, then the DE pin can be left unconnected and an internal pull-up keeps it in the enabled state. Drivers are also tri-stated when the IC is in SHDN, or when the 5V power supply is off.

Speed Options

The ISL81334 (SOIC/SSOP) has fixed, high slew rate driver outputs optimized for 20Mbps data rates. The ISL41334 (QFN) offers three user selectable data rate options: "Fast" for high slew rate and 20Mbps; "Medium" with slew rate limiting set for 460kbps; "Slow" with even more slew rate limiting for 115kbps operation. See the "Data Rate" and "Slew Rate Limited Data Rates" sections for more information.

Receiver performance is the same for all three speed options.

Data Rate, Cables, and Terminations

RS-485/422 are intended for network lengths up to 4000' (1220m), but the maximum system data rate decreases as the transmission length increases. Devices operating at the maximum data rate of 20Mbps are limited to lengths of 20-30' (6-9m), while devices operating at or below 115kbps can operate at the maximum length of 4000' (1220m).

Higher data rates require faster edges, so both the ISLX1334 versions offer an edge rate capable of 20Mbps data rates. The ISL41334 also offers two slew rate limited edge rates to minimize problems at slower data rates. Nevertheless, for the best jitter performance when driving long cables, the faster speed settings may be preferable, even at low data rates. See the "RS-485 Slew Rate Limited Data Rates" section for details.

Twisted pair is the cable of choice for RS-485/422 networks. Twisted pair cables tend to pick up noise and other electromagnetically induced voltages as common mode signals, which are effectively rejected by the differential receivers in these ICs.

The preferred cable connection technique is "daisy-chaining", where the cable runs from the connector of one device directly to the connector of the next device, such that cable stub lengths are negligible. A "backbone" structure, where stubs run from the main backbone cable to each device's connector, is the next best choice, but care must be taken to ensure that each stub is electrically "short". See Table 4 for recommended maximum stub lengths for each speed option.

TABLE 4. RECOMMENDED STUB LENGTHS

| SPEED OPTION | MAXIMUM STUB LENGTH ft (m) |
|--------------|-------------------------------|
| SLOW | 350-500 (107-152) |
| MED | 100-150 (30.5 - 46) |
| FAST | 1-3 (0.3 - 0.9) |

Proper termination is imperative to minimize reflections when using the 20Mbps speed option. Short networks using the medium and slow speed options need not be terminated, but terminations are recommended unless power dissipation is an overriding concern. Note that the RS-485 spec allows a maximum of two terminations on a network, otherwise the Tx output voltage may not meet the required V_{OD} .

In point-to-point, or point-to-multipoint (RS-422) networks, the main cable should be terminated in its characteristic impedance (typically 120Ω) at the end farthest from the driver. In multi-receiver applications, stubs connecting receivers to the main cable should be kept as short as possible, but definitely shorter than the limits shown in Table 4. Multipoint (RS-485) systems require that the main cable be terminated in its characteristic impedance at both ends. Again, keep stubs connecting a transceiver to the main

cable as short as possible, and refer to Table 4. Avoid "star", and other configurations, where there are many "ends" which would require more than the two allowed terminations to prevent reflections.

High ESD

All pins on the ISLX1334 include ESD protection structures rated at ±4kV (HBM), which is good enough to survive ESD events commonly seen during manufacturing. But the bus pins (Tx outputs and Rx inputs) are particularly vulnerable to ESD events because they connect to an exposed port on the exterior of the finished product. Simply touching the port pins, or connecting a cable, can destroy an unprotected port. ISLX1334 bus pins are fitted with advanced structures that deliver ESD protection in excess of ±15kV (HBM), without interfering with any signal in the RS-485 or the RS-232 range. This high level of protection may eliminate the need for board level protection, or at the very least will increase the robustness of any board level scheme.

Small Packages

Many competing dual protocol ICs are available only in monstrously large 24 to 28 Ld SOIC packages. The ISL81334's 28 Ld SSOP is 50% smaller than even a 24 Ld SOIC, and the ISL41334's tiny 6x6mm QFN is 80% smaller than a 28 Ld SOIC.

Flow Through Pinouts

Even the ISLX1334 pinouts are features, in that the "flow-through" design simplifies board layout. Having the bus pins all on one side of the package for easy routing to a cable connector, and the Rx outputs and Tx inputs on the other side for easy connection to a UART, avoids costly and problematic crossovers. Figure 11 illustrates the flow-through nature of the pinout.

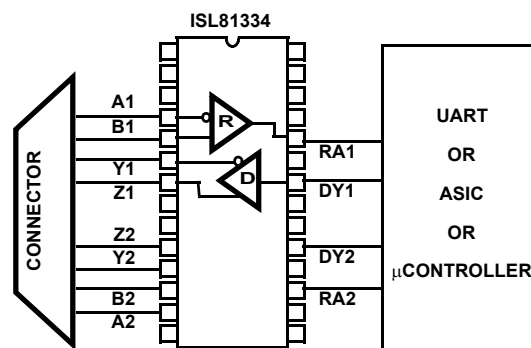


FIGURE 11. ILLUSTRATION OF FLOW THROUGH PINOUT

Low Power Shutdown (SHDN) Mode

The ON/OFF pin is driven low to place the IC (both ports) in the SHDN mode, and the already low supply current drops to as low as 25μA. If this functionality isn't desired, the pin can be left disconnected (thanks to the internal pull-up), or it should be connected to V_{CC} (V_L for the QFN), through a 1kΩ resistor. SHDN disables the Tx and Rx outputs, and

disables the charge pumps if either port is in RS-232 mode, so V+ collapses to V_{CC}, and V- collapses to GND.

All but 5uA of SHDN I_{CC} current is due to control input (ON, LB, SP, DE) pull-up resistors (~20uA/resistor), so SHDN I_{CC} varies depending on the ISLX1334 configuration. The spec tables indicate the worst case values, but careful selection of the configuration yields lower currents. For example, in RS-232 mode the SP pins aren't used, so if both ports are configured for RS-232, floating or tying the SP pins high minimizes SHDN I_{CC}. Likewise in RS-485 mode, the drivers are disabled in SHDN, so driving the DE pins high during this time also reduces I_{CC}.

On the ISL41334, the SHDN I_{CC} increases as V_L decreases. V_L powers the input stage and sets its V_{OH} at V_L rather than V_{CC}. V_{CC} powers the second stage, but the second stage input isn't driven to the rail, so some I_{CC} current flows. See Figure 21 for details.

When enabling from SHDN in RS-232 mode, allow at least 20uS for the charge pumps to stabilize before transmitting data. The charge pumps aren't used in RS-485 mode, so the transceiver is ready to send or receive data in less than 1uS, which is much faster than competing devices that require the charge pump for all modes of operation.

Internal Loopback Mode

Driving the LB pin low places both ports in the loopback mode, a mode that facilitates implementing board level self test functions. In loopback, internal switches disconnect the Rx inputs from the Rx outputs, and feed back the Tx outputs to the appropriate Rx output. This way the data driven at the Tx input appears at the corresponding Rx output (refer to "Typical Operating Circuits"). The Tx outputs remain connected to their terminals, so the external loads are reflected in the loopback performance. This allows the loopback function to potentially detect some common bus faults such as one or both driver outputs shorted to GND, or outputs shorted together.

Note that the loopback mode uses an additional set of receivers, as shown in the "Typical Operating Circuits". These loopback receivers are not standards compliant, so the loopback mode can't be used to implement a half-duplex RS-485 transceiver.

If loopback won't be utilized, the pin can be left disconnected (thanks to the internal pull-up), or it should be connected to V_{CC} (V_L for the QFN), through a 1kΩ resistor.

ISL41334 (QFN Package) Special Features

Logic Supply (V_L Pin)

The ISL41334 (QFN) includes a V_L pin that powers the logic inputs (Tx inputs and control pins) and Rx outputs. These pins interface with "logic" devices such as UARTs, ASICs, and μcontrollers, and today most of these devices use power supplies significantly lower than 5V. Thus, a 5V output level

from a 5V powered dual protocol IC might seriously overdrive and damage the logic device input. Similarly, the the logic device's low V_{OH} might not exceed the V_{IH} of a 5V powered dual protocol input. Connecting the V_L pin to the power supply of the logic device - as shown in Figure 12 - limits the ISL41334's Rx output V_{OH} to V_L (see Figure 15), and reduces the Tx and control input switching points to values compatible with the logic device output levels. Tailoring the logic pin input switching points and output levels to the supply voltage of the UART, ASIC, or μcontroller eliminates the need for a level shifter/translator between the two ICs.

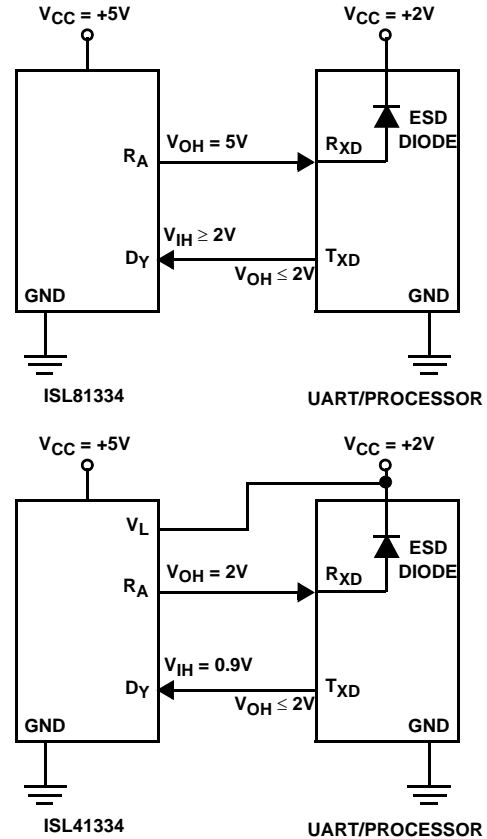


FIGURE 12. USING V_L PIN TO ADJUST LOGIC LEVELS

V_L can be anywhere from V_{CC} down to 1.65V, but the input switching points may not provide enough noise margin when V_L < 1.8V. Table 5 indicates typical V_{IH} and V_{IL} values for various V_L values so the user can ascertain whether or not a particular V_L voltage meets his needs.

TABLE 5. V_{IH} AND V_{IL} vs. V_L FOR V_{CC} = 5V

| V _L (V) | V _{IH} (V) | V _{IL} (V) |
|--------------------|---------------------|---------------------|
| 1.65V | 0.79 | 0.50 |
| 1.8V | 0.82 | 0.60 |
| 2.0V | 0.87 | 0.69 |
| 2.5V | 0.99 | 0.86 |
| 3.3V | 1.19 | 1.05 |

The V_L supply current (I_L) is typically less than $100\mu A$, as shown in Figures 20 and 21. All of the DC V_L current is due to inputs with internal pull-up resistors (DE, SP, LB, ON/OFF) being driven to the low input state. The worst case I_L current occurs during SHDN (see Figure 20), due to the I_L through the ON/OFF pin pull-up resistor when that pin is driven low. I_{IL} through an input pull-up resistor is $\sim 20\mu A$, so the I_L in Figure 20 drops by about $40\mu A$ (at $V_L = 5V$) when the two SP inputs are high (middle vs. top curve). I_L is lowest in the RS-232 mode, because only the ON/OFF pin should be driven low. When all these inputs are driven high, I_L drops to $< 1\mu A$, so to minimize power dissipation drive these inputs high when unneeded (e.g., SP inputs aren't used in RS-232 mode, so drive them high).

Active Low Rx Enable (RXEN)

In many RS-485 applications, especially half duplex configurations, users like to accomplish “echo cancellation” by disabling the corresponding receiver while its driver is transmitting data. This function is available on the QFN package via an active low \overline{RXEN} pin for each port. The active low function also simplifies direction control, by allowing a single Tx/Rx direction control line. If an active high RXEN were used, either two valuable I/O pins would be used for direction control, or an external inverter is required between DE and RXEN. Figure 13 details the advantage of using the \overline{RXEN} pin.

RS-485 Slew Rate Limited Data Rates

The SOIC and SSOP versions of this IC operate with Tx output transitions optimized for a 20Mbps data rate. These fast edges may increase EMI and reflection issues, even though fast transitions aren't required at the lower data rates used by many applications. The ISL41334 (QFN version) solves this problem by offering two additional, slew rate limited, data rates that are optimized for speeds of 115kbps, and 460kbps. The slew limited edges permit longer unterminated networks, or longer stubs off terminated busses, and help minimize EMI and reflections. Nevertheless, for the best jitter performance when driving long cables, the faster speed options may be preferable, even at lower data rates. The faster output transitions deliver less variability (jitter) when loaded with the large capacitance associated with long cables. Figures 43, 44, and 45 detail the jitter performance of the three speed options while driving three different cable lengths. The figures show that under all conditions the faster the edge rate, the better the jitter performance. Of course, faster transitions require more attention to ensuring short stub lengths, and quality terminations, so there are trade-offs to be made. Assuming a jitter budget of 10%, it is likely better to go with the slow speed option for data rates of 115kbps or less, to minimize fast edge effects. Likewise, the medium speed option is a good choice for data rates between 115kbps and 460kbps. For higher data rates, or when the absolute best jitter is required, use the high speed option.

Speed selection is via the SPA and SPB pins (see Table 3), and the selection pertains to each port programmed for RS-485 mode.

Evaluation Board

An evaluation board, part number ISL41334EVAL1, is available to assist in assessing the dual protocol IC's performance. The evaluation board contains a QFN packaged device, but because the same die is used in all packages, the board is also useful for evaluating the functionality of the other versions. The board's design allows for evaluation of all standard features, plus the QFN specific features. Refer to the eval board application note for details, and contact your sales rep for ordering information.

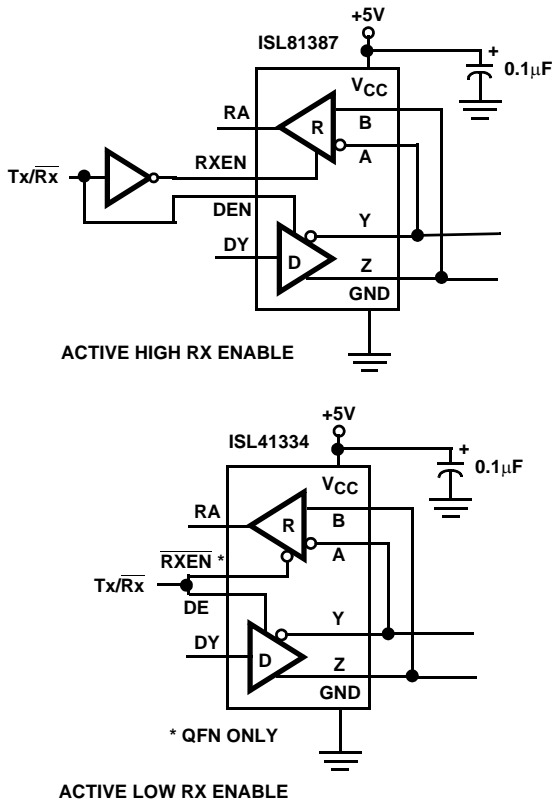


FIGURE 13. USING ACTIVE LOW vs ACTIVE HIGH RX ENABLE

Typical Performance Curves $V_{CC} = V_L = 5V$, $T_A = 25^\circ C$; Unless Otherwise Specified

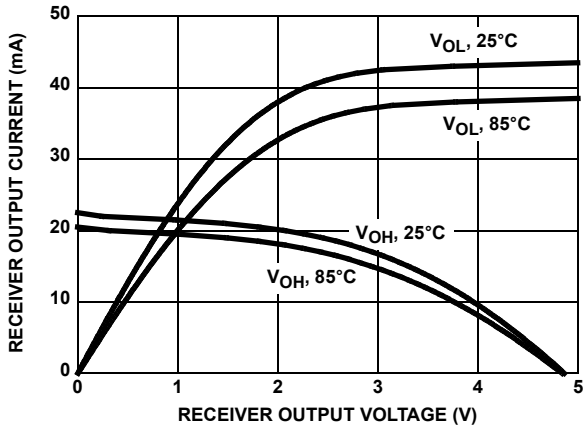


FIGURE 14. RECEIVER OUTPUT CURRENT vs RECEIVER OUTPUT VOLTAGE

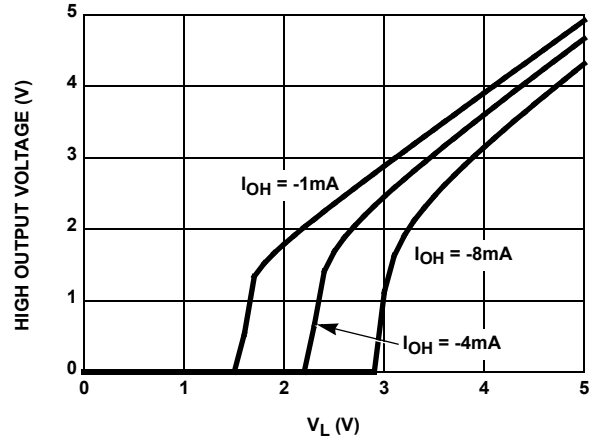


FIGURE 15. RECEIVER HIGH OUTPUT VOLTAGE vs LOGIC SUPPLY VOLTAGE (V_L)

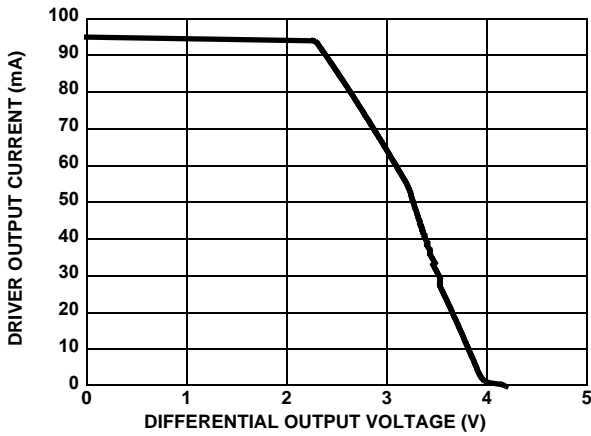


FIGURE 16. RS-485, DRIVER OUTPUT CURRENT vs DIFFERENTIAL OUTPUT VOLTAGE

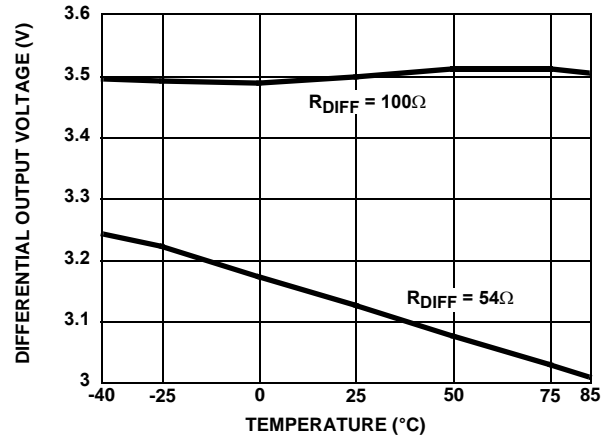


FIGURE 17. RS-485, DRIVER DIFFERENTIAL OUTPUT VOLTAGE vs TEMPERATURE

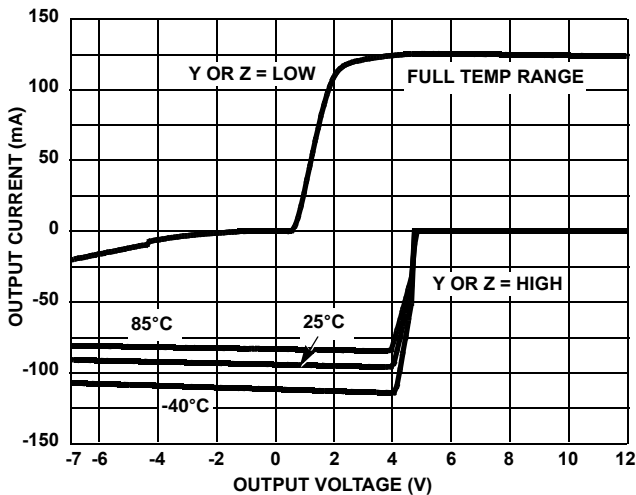


FIGURE 18. RS-485, DRIVER OUTPUT CURRENT vs SHORT CIRCUIT VOLTAGE

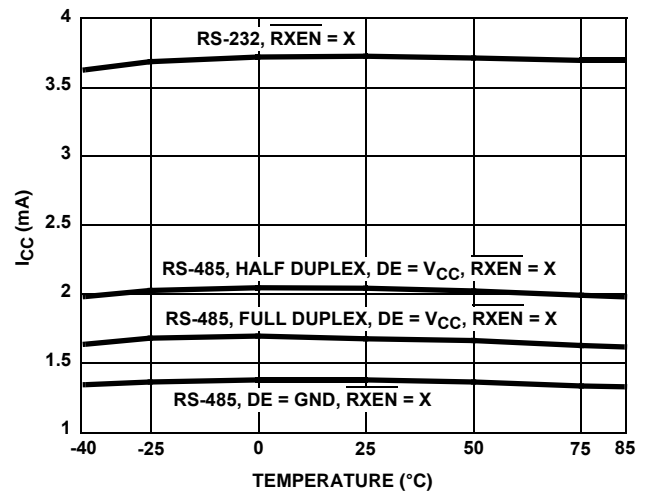


FIGURE 19. SUPPLY CURRENT vs TEMPERATURE

Typical Performance Curves $V_{CC} = V_L = 5V$, $T_A = 25^\circ C$; Unless Otherwise Specified (Continued)

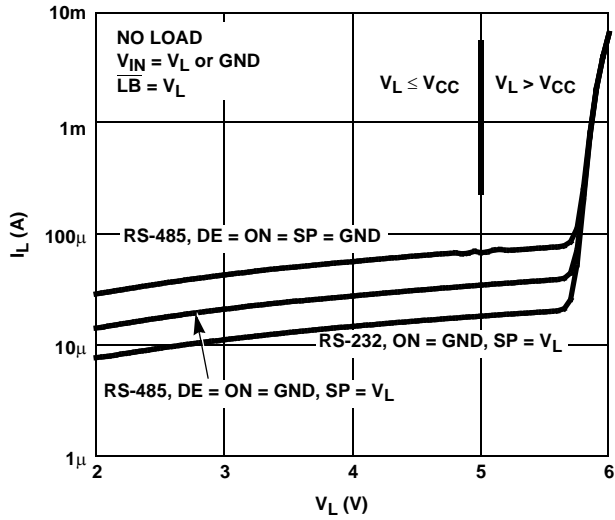


FIGURE 20. RS-232, V_L SUPPLY CURRENT vs V_L VOLTAGE (QFN ONLY)

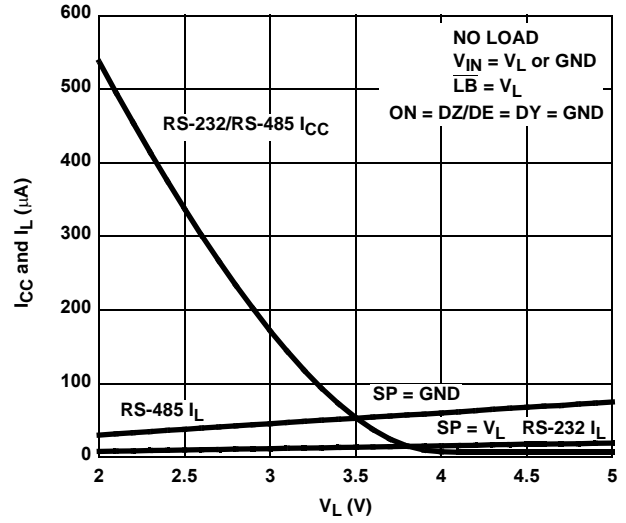


FIGURE 21. V_{CC} and V_L SHDN SUPPLY CURRENTS vs V_L VOLTAGE (QFN ONLY)

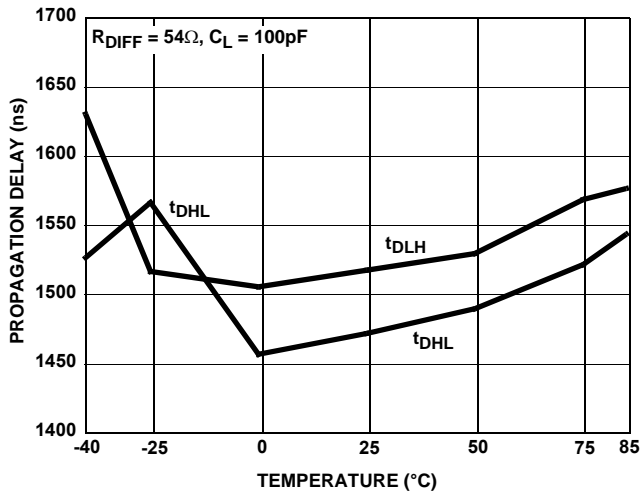


FIGURE 22. RS-485, DRIVER PROPAGATION DELAY vs TEMPERATURE (SLOW DATA RATE, QFN ONLY)

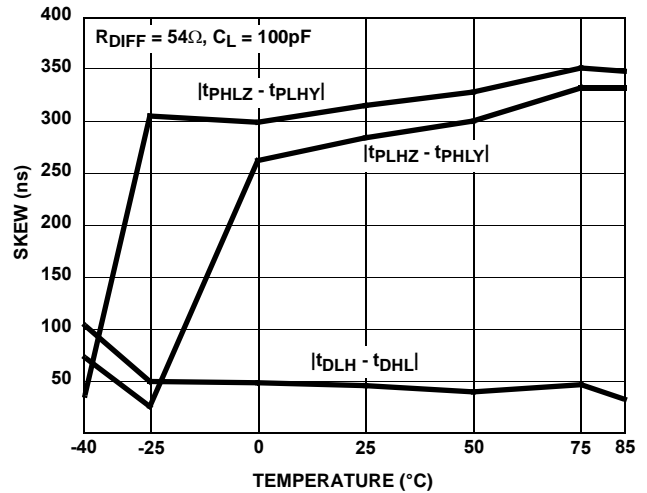


FIGURE 23. RS-485, DRIVER SKEW vs TEMPERATURE (SLOW DATA RATE, QFN ONLY)

Typical Performance Curves $V_{CC} = V_L = 5V$, $T_A = 25^\circ C$; Unless Otherwise Specified (Continued)

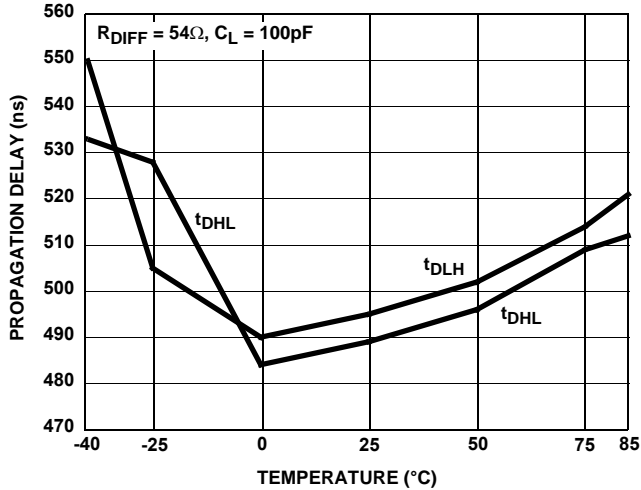


FIGURE 24. RS-485, DRIVER PROPAGATION DELAY vs TEMPERATURE (MEDIUM DATA RATE, QFN ONLY)

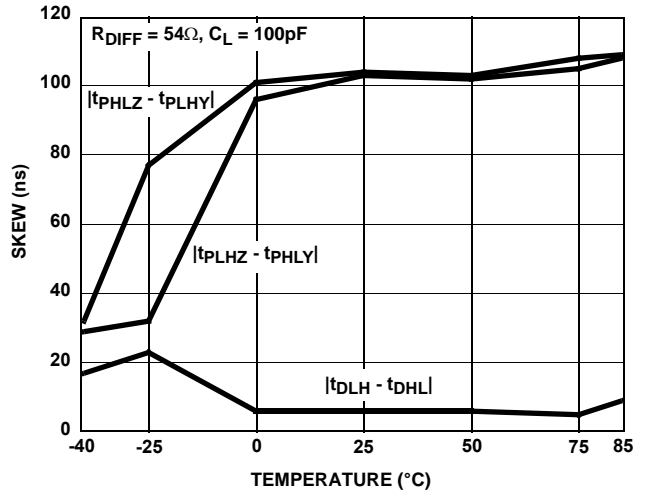


FIGURE 25. RS-485, DRIVER SKEW vs TEMPERATURE (MEDIUM DATA RATE, QFN ONLY)

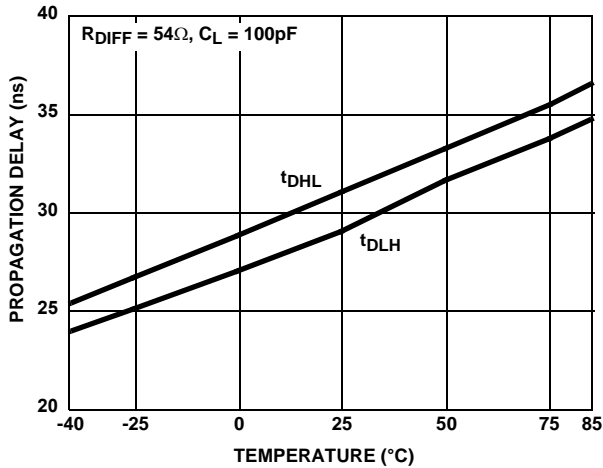


FIGURE 26. RS-485, DRIVER PROPAGATION DELAY vs TEMPERATURE (FAST DATA RATE)

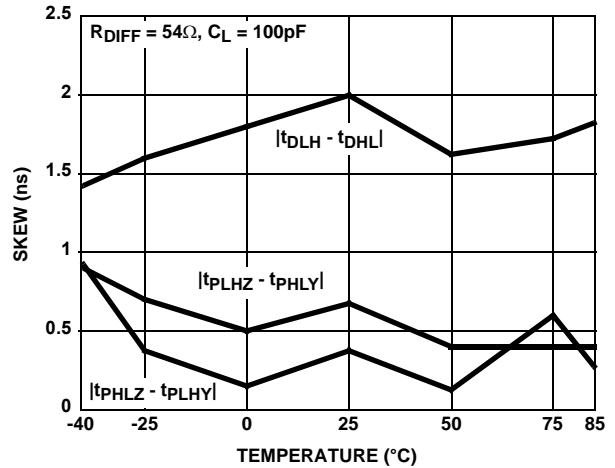


FIGURE 27. RS-485, DRIVER SKEW vs TEMPERATURE (FAST DATA RATE)

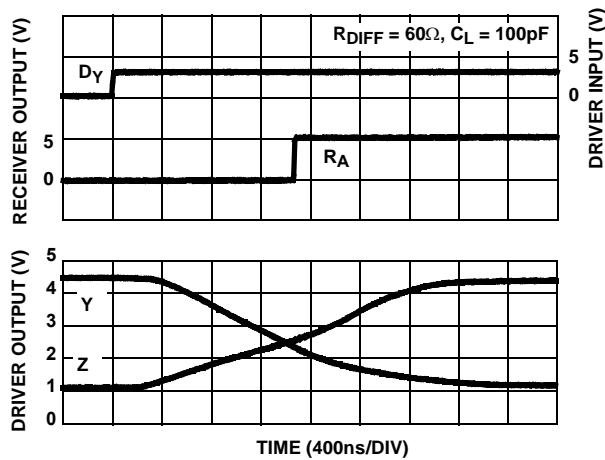


FIGURE 28. RS-485, DRIVER AND RECEIVER WAVEFORMS, LOW TO HIGH (SLOW DATA RATE, QFN ONLY)

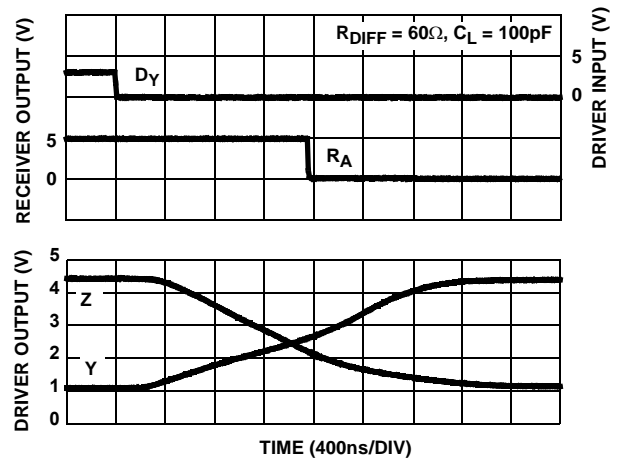


FIGURE 29. RS-485, DRIVER AND RECEIVER WAVEFORMS, HIGH TO LOW (SLOW DATA RATE, QFN ONLY)

Typical Performance Curves $V_{CC} = V_L = 5V$, $T_A = 25^\circ C$; Unless Otherwise Specified (Continued)

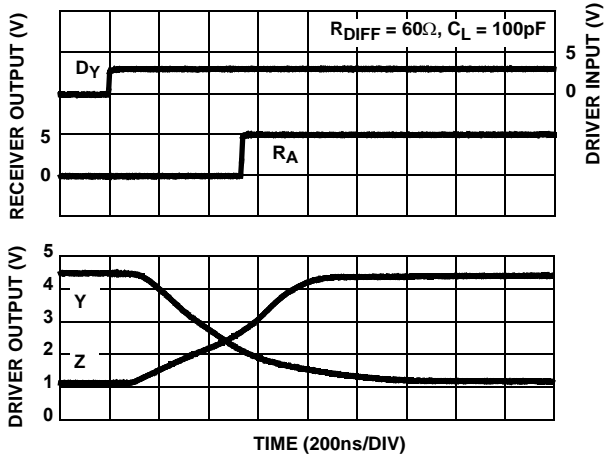


FIGURE 30. RS-485, DRIVER AND RECEIVER WAVEFORMS, LOW TO HIGH (MEDIUM DATA RATE, QFN ONLY)

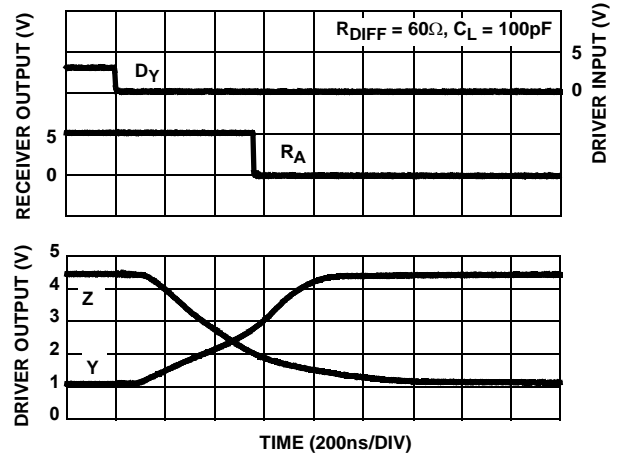


FIGURE 31. RS-485, DRIVER AND RECEIVER WAVEFORMS, HIGH TO LOW (MEDIUM DATA RATE, QFN ONLY)

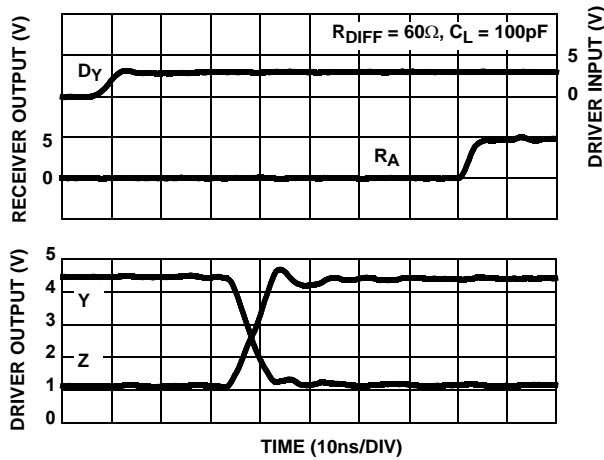


FIGURE 32. RS-485, DRIVER AND RECEIVER WAVEFORMS, LOW TO HIGH (FAST DATA RATE)

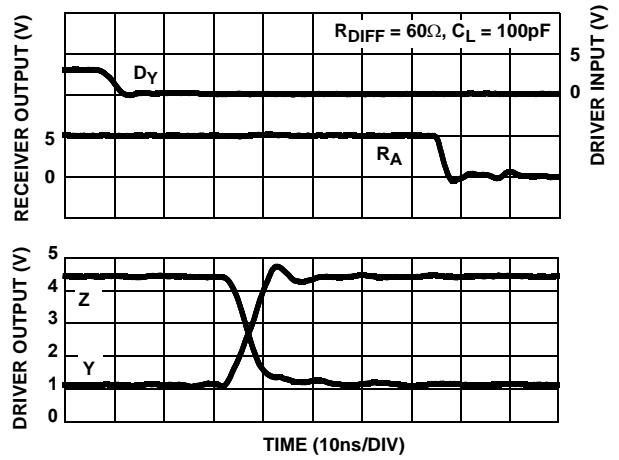


FIGURE 33. RS-485, DRIVER AND RECEIVER WAVEFORMS, HIGH TO LOW (FAST DATA RATE)

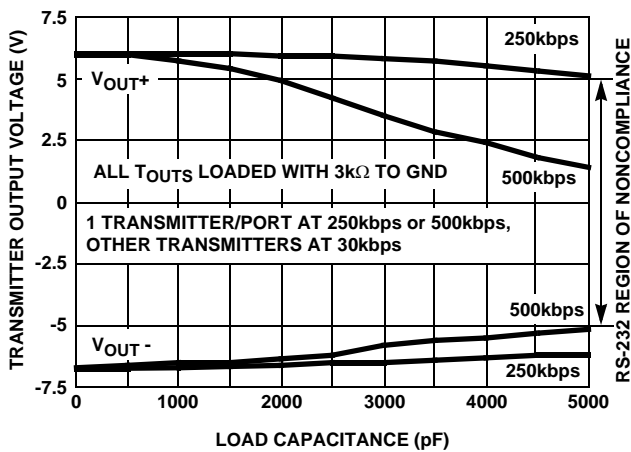


FIGURE 34. RS-232, TRANSMITTER OUTPUT VOLTAGE vs LOAD CAPACITANCE

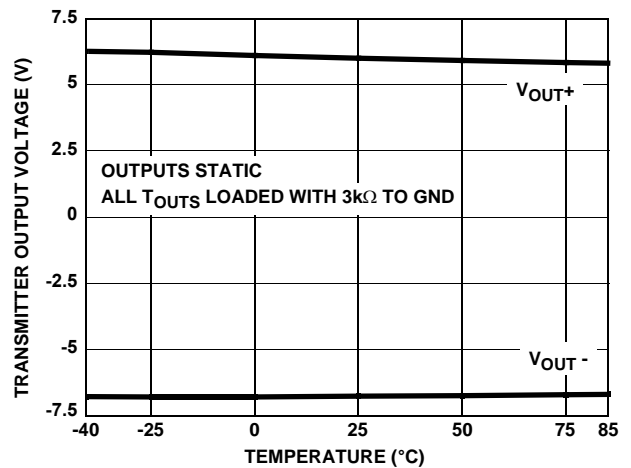


FIGURE 35. RS-232, TRANSMITTER OUTPUT VOLTAGE vs TEMPERATURE

Typical Performance Curves $V_{CC} = V_L = 5V$, $T_A = 25^\circ C$; Unless Otherwise Specified (Continued)

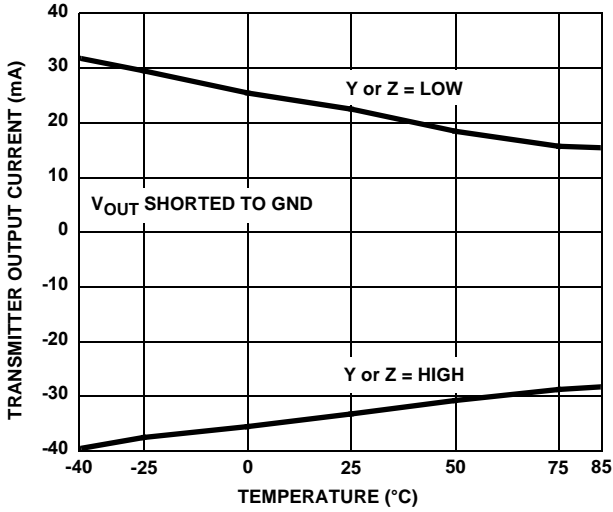


FIGURE 36. RS-232, TRANSMITTER SHORT CIRCUIT CURRENT vs TEMPERATURE

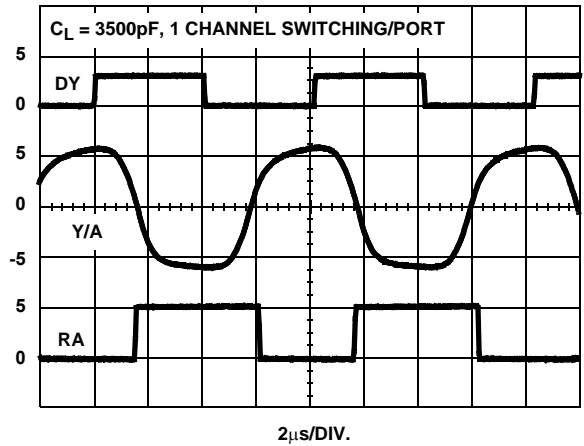


FIGURE 37. RS-232, TRANSMITTER AND RECEIVER WAVEFORMS AT 250kbps

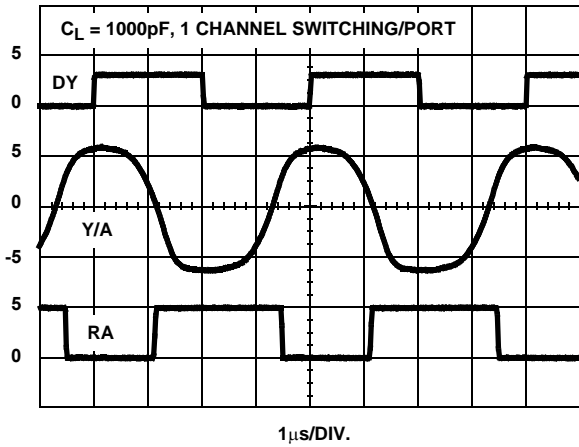


FIGURE 38. RS-232, TRANSMITTER AND RECEIVER WAVEFORMS AT 500kbps

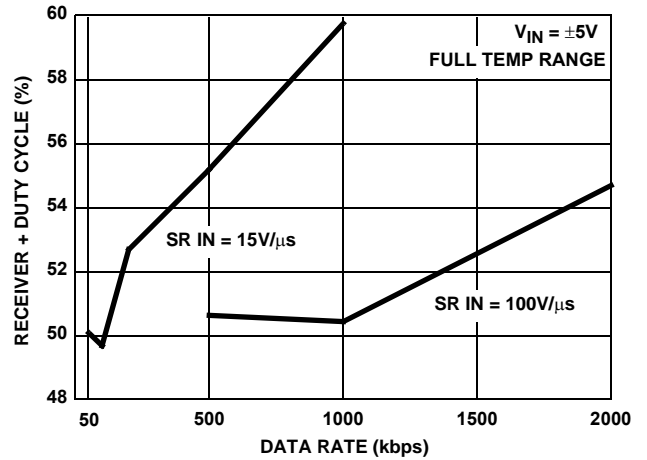


FIGURE 39. RS-232, RECEIVER OUTPUT + DUTY CYCLE vs DATA RATE

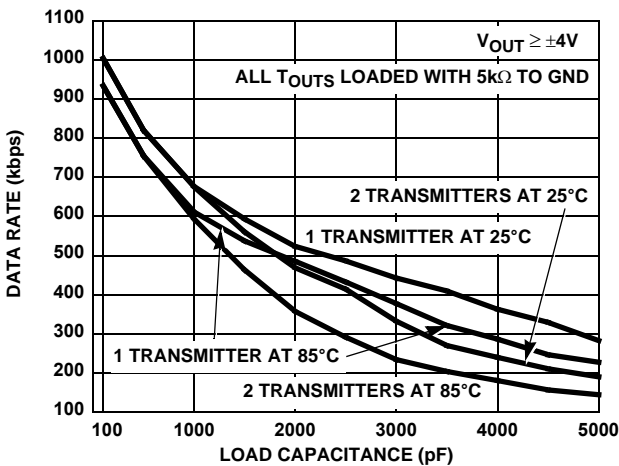


FIGURE 40. RS-232, TRANSMITTER MAXIMUM DATA RATE vs LOAD CAPACITANCE

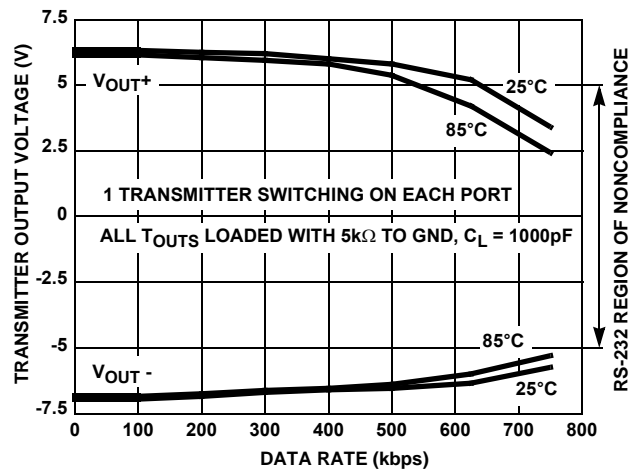


FIGURE 41. RS-232, TRANSMITTER OUTPUT VOLTAGE vs DATA RATE

Typical Performance Curves $V_{CC} = V_L = 5V$, $T_A = 25^\circ C$; Unless Otherwise Specified (Continued)

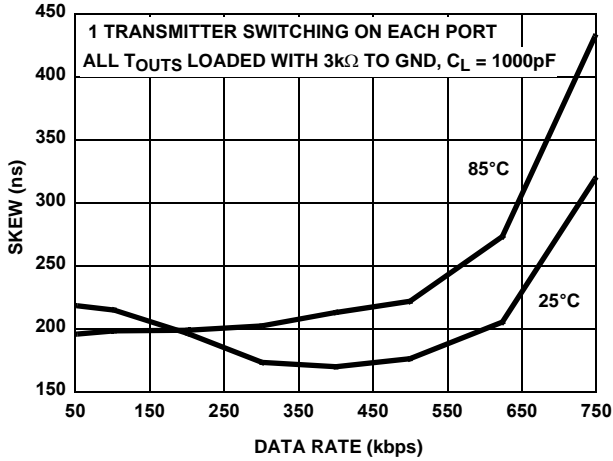


FIGURE 42. RS-232, TRANSMITTER SKEW vs DATA RATE

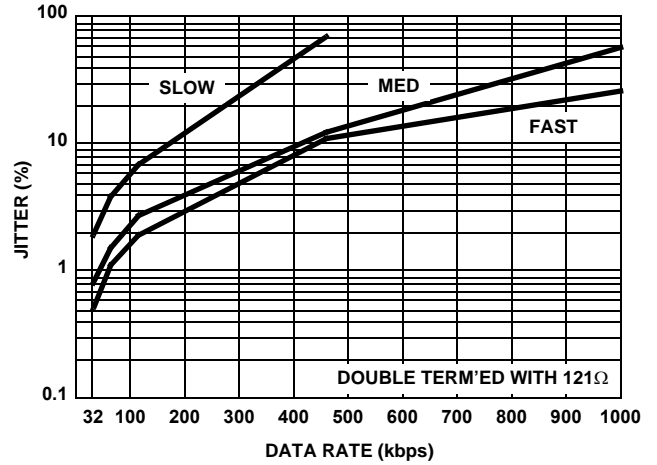


FIGURE 43. RS-485, TRANSMITTER JITTER vs DATA RATE WITH 2000' CAT 5 CABLE

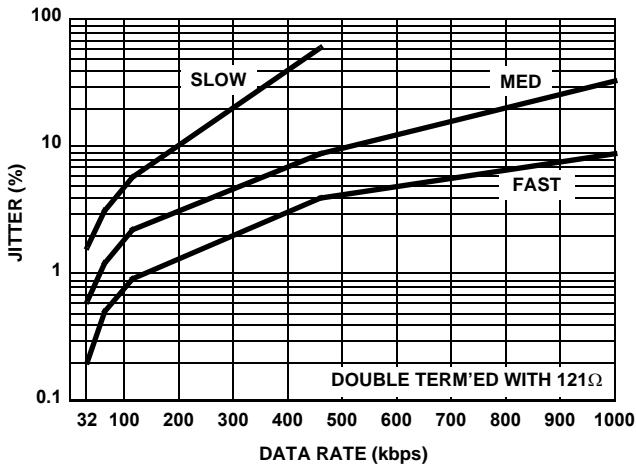


FIGURE 44. RS-485, TRANSMITTER JITTER vs DATA RATE WITH 1000' CAT 5 CABLE

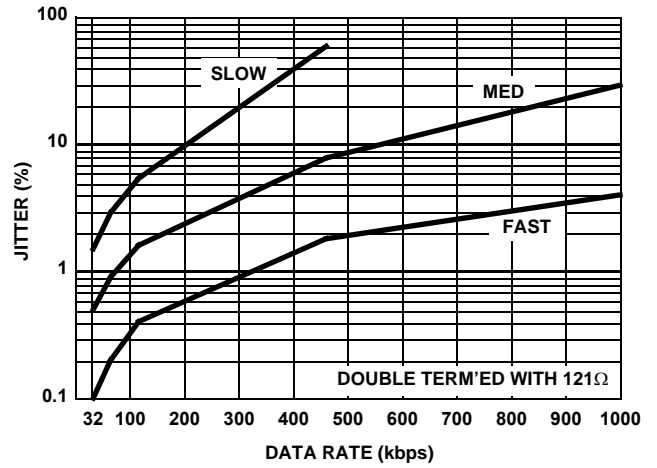


FIGURE 45. RS-485, TRANSMITTER JITTER vs DATA RATE WITH 350' CAT 5 CABLE

Die Characteristics

SUBSTRATE POTENTIAL (POWERED UP):

GND

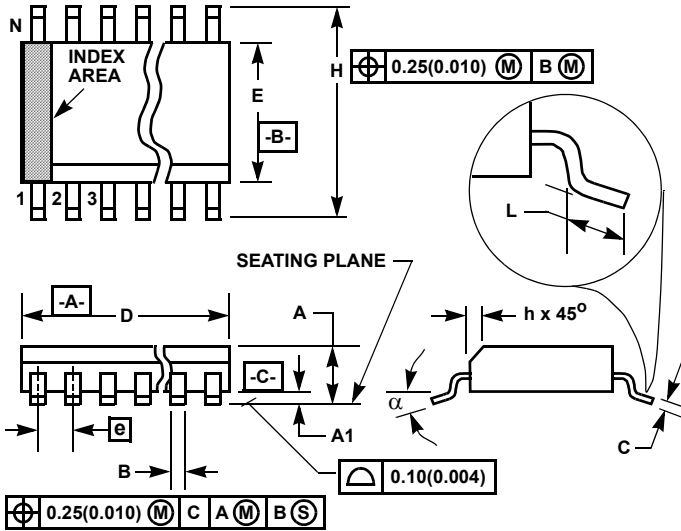
TRANSISTOR COUNT:

4838

PROCESS:

BiCMOS

Small Outline Plastic Packages (SOIC)



M28.3 (JEDEC MS-013-AE ISSUE C)
28 LEAD WIDE BODY SMALL OUTLINE PLASTIC PACKAGE

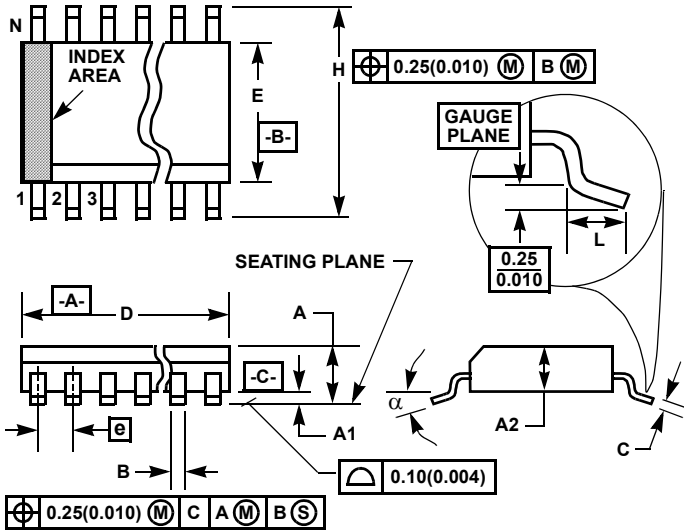
| SYMBOL | INCHES | | MILLIMETERS | | NOTES |
|--------|----------|--------|-------------|-------|-------|
| | MIN | MAX | MIN | MAX | |
| A | 0.0926 | 0.1043 | 2.35 | 2.65 | - |
| A1 | 0.0040 | 0.0118 | 0.10 | 0.30 | - |
| B | 0.013 | 0.0200 | 0.33 | 0.51 | 9 |
| C | 0.0091 | 0.0125 | 0.23 | 0.32 | - |
| D | 0.6969 | 0.7125 | 17.70 | 18.10 | 3 |
| E | 0.2914 | 0.2992 | 7.40 | 7.60 | 4 |
| e | 0.05 BSC | | 1.27 BSC | | - |
| H | 0.394 | 0.419 | 10.00 | 10.65 | - |
| h | 0.01 | 0.029 | 0.25 | 0.75 | 5 |
| L | 0.016 | 0.050 | 0.40 | 1.27 | 6 |
| N | 28 | | 28 | | 7 |
| alpha | 0° | 8° | 0° | 8° | - |

NOTES:

1. Symbols are defined in the "MO Series Symbol List" in Section 2.2 of Publication Number 95.
2. Dimensioning and tolerancing per ANSI Y14.5M-1982.
3. Dimension "D" does not include mold flash, protrusions or gate burrs. Mold flash, protrusion and gate burrs shall not exceed 0.15mm (0.006 inch) per side.
4. Dimension "E" does not include interlead flash or protrusions. Interlead flash and protrusions shall not exceed 0.25mm (0.010 inch) per side.
5. The chamfer on the body is optional. If it is not present, a visual index feature must be located within the crosshatched area.
6. "L" is the length of terminal for soldering to a substrate.
7. "N" is the number of terminal positions.
8. Terminal numbers are shown for reference only.
9. The lead width "B", as measured 0.36mm (0.014 inch) or greater above the seating plane, shall not exceed a maximum value of 0.61mm (0.024 inch)
10. Controlling dimension: MILLIMETER. Converted inch dimensions are not necessarily exact.

Rev. 0 12/93

Shrink Small Outline Plastic Packages (SSOP)



M28.209 (JEDEC MO-150-AH ISSUE B)
28 LEAD SHRINK SMALL OUTLINE PLASTIC PACKAGE

| SYMBOL | INCHES | | MILLIMETERS | | NOTES |
|----------|-----------|-------|-------------|-------|-------|
| | MIN | MAX | MIN | MAX | |
| A | - | 0.078 | - | 2.00 | - |
| A1 | 0.002 | - | 0.05 | - | - |
| A2 | 0.065 | 0.072 | 1.65 | 1.85 | - |
| B | 0.009 | 0.014 | 0.22 | 0.38 | 9 |
| C | 0.004 | 0.009 | 0.09 | 0.25 | - |
| D | 0.390 | 0.413 | 9.90 | 10.50 | 3 |
| E | 0.197 | 0.220 | 5.00 | 5.60 | 4 |
| e | 0.026 BSC | | 0.65 BSC | | - |
| H | 0.292 | 0.322 | 7.40 | 8.20 | - |
| L | 0.022 | 0.037 | 0.55 | 0.95 | 6 |
| N | 28 | | 28 | | 7 |
| α | 0° | 8° | 0° | 8° | - |

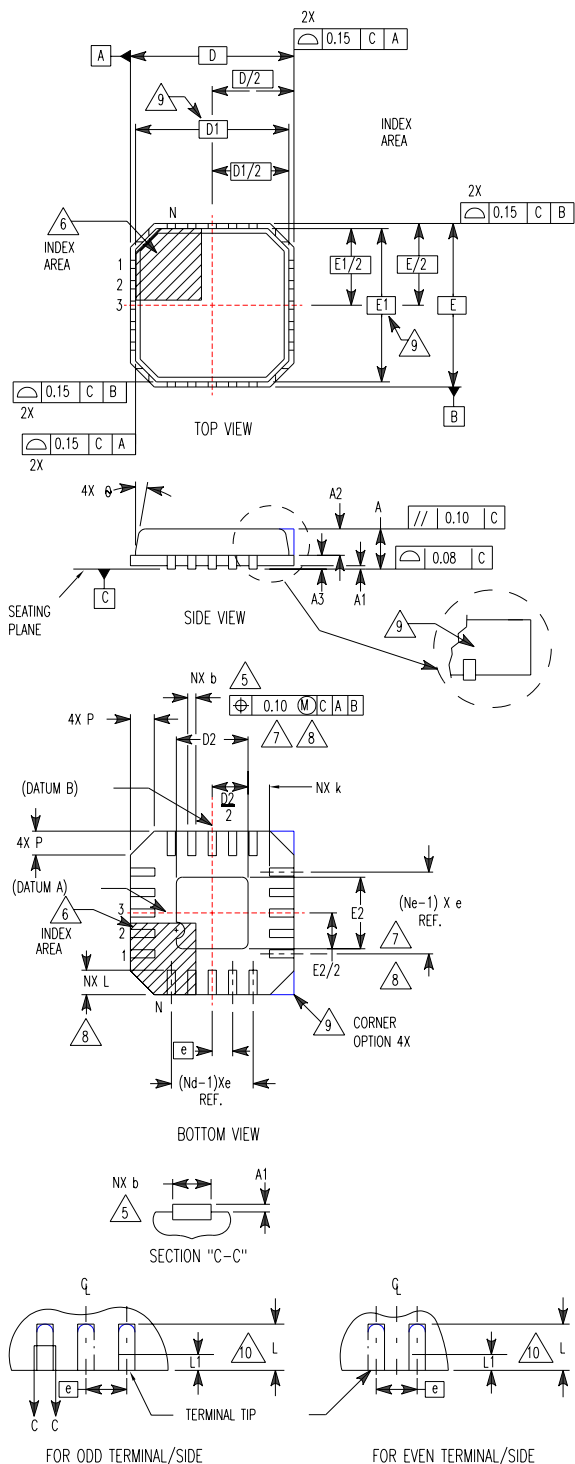
Rev. 2 6/05

NOTES:

1. Symbols are defined in the "MO Series Symbol List" in Section 2.2 of Publication Number 95.
2. Dimensioning and tolerancing per ANSI Y14.5M-1982.
3. Dimension "D" does not include mold flash, protrusions or gate burrs. Mold flash, protrusion and gate burrs shall not exceed 0.20mm (0.0078 inch) per side.
4. Dimension "E" does not include interlead flash or protrusions. Interlead flash and protrusions shall not exceed 0.20mm (0.0078 inch) per side.
5. The chamfer on the body is optional. If it is not present, a visual index feature must be located within the crosshatched area.
6. "L" is the length of terminal for soldering to a substrate.
7. "N" is the number of terminal positions.
8. Terminal numbers are shown for reference only.
9. Dimension "B" does not include dambar protrusion. Allowable dambar protrusion shall be 0.13mm (0.005 inch) total in excess of "B" dimension at maximum material condition.
10. Controlling dimension: MILLIMETER. Converted inch dimensions are not necessarily exact.

**Quad Flat No-Lead Plastic Package (QFN)
Micro Lead Frame Plastic Package (MLFP)**

**L40.6x6
40 LEAD QUAD FLAT NO-LEAD PLASTIC PACKAGE
(COMPLIANT TO JEDEC MO-220VJJD-2 ISSUE C)**



| SYMBOL | MILLIMETERS | | | NOTES |
|--------|-------------|---------|------|-------|
| | MIN | NOMINAL | MAX | |
| A | 0.80 | 0.90 | 1.00 | - |
| A1 | - | - | 0.05 | - |
| A2 | - | - | 1.00 | 9 |
| A3 | 0.20 REF | | | 9 |
| b | 0.18 | 0.23 | 0.30 | 5, 8 |
| D | 6.00 BSC | | | - |
| D1 | 5.75 BSC | | | 9 |
| D2 | 3.95 | 4.10 | 4.25 | 7, 8 |
| E | 6.00 BSC | | | - |
| E1 | 5.75 BSC | | | 9 |
| E2 | 3.95 | 4.10 | 4.25 | 7, 8 |
| e | 0.50 BSC | | | - |
| k | 0.25 | - | - | - |
| L | 0.30 | 0.40 | 0.50 | 8 |
| L1 | - | - | 0.15 | 10 |
| N | 40 | | | 2 |
| Nd | 10 | | | 3 |
| Ne | 10 | | | 3 |
| P | - | - | 0.60 | 9 |
| θ | - | - | 12 | 9 |

Rev. 1 10/02

NOTES:

1. Dimensioning and tolerancing conform to ASME Y14.5-1994.
2. N is the number of terminals.
3. Nd and Ne refer to the number of terminals on each D and E.
4. All dimensions are in millimeters. Angles are in degrees.
5. Dimension b applies to the metallized terminal and is measured between 0.15mm and 0.30mm from the terminal tip.
6. The configuration of the pin #1 identifier is optional, but must be located within the zone indicated. The pin #1 identifier may be either a mold or mark feature.
7. Dimensions D2 and E2 are for the exposed pads which provide improved electrical and thermal performance.
8. Nominal dimensions are provided to assist with PCB Land Pattern Design efforts, see Intersil Technical Brief TB389.
9. Features and dimensions A2, A3, D1, E1, P & θ are present when Anvil singulation method is used and not present for saw singulation.
10. Depending on the method of lead termination at the edge of the package, a maximum 0.15mm pull back (L1) maybe present. L minus L1 to be equal to or greater than 0.3mm.

All Intersil U.S. products are manufactured, assembled and tested utilizing ISO9000 quality systems. Intersil Corporation's quality certifications can be viewed at www.intersil.com/design/quality

Intersil products are sold by description only. Intersil Corporation reserves the right to make changes in circuit design, software and/or specifications at any time without notice. Accordingly, the reader is cautioned to verify that data sheets are current before placing orders. Information furnished by Intersil is believed to be accurate and reliable. However, no responsibility is assumed by Intersil or its subsidiaries for its use; nor for any infringements of patents or other rights of third parties which may result from its use. No license is granted by implication or otherwise under any patent or patent rights of Intersil or its subsidiaries.

For information regarding Intersil Corporation and its products, see www.intersil.com