

582-815 TO 906



PRODUCT SPECIFICATION

COLOUR CODED BUTTONS

Sheet No. **PS 0786**

Date : 16.03.95

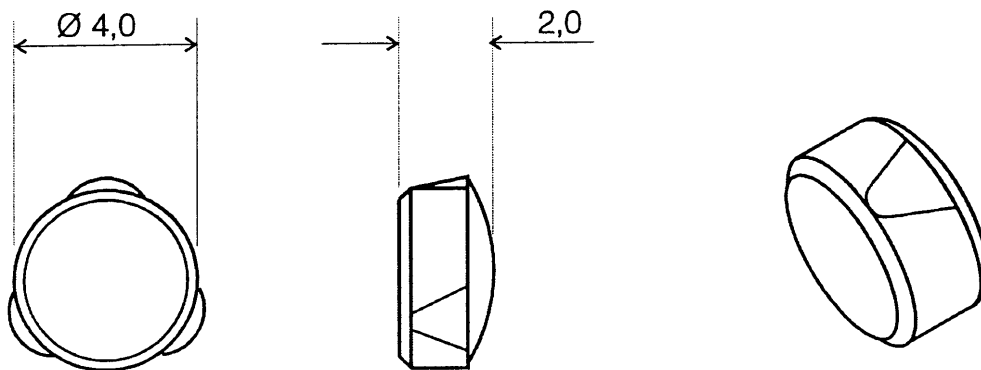
Issue No. 2 (06.07.95)

Sheet 1 of 1

Signature

Deltron Part No. **726 SERIES**

Dimensions



DIMENSIONS IN MILLIMETRES

Description

A unique colour coded button system which provides durable bright identification coding for both free cable plugs and sockets.

COLOUR	CODE
BLACK	726-0000
BROWN	726-0100
RED	726-0200
ORANGE	726-0300
YELLOW	726-0400
GREEN	726-0500
BLUE	726-0600
VIOLET	726-0700
GREY	726-0800
WHITE	726-0900
MIXED BAG 50 BUTTONS	726-0050

Features

Pack of 25 buttons supplied in a polythene bag.

Or a mixed bag of 50 buttons, containing 5 buttons of each colour.

- three protruding lugs around the outside ensure positive retention in the chassis housing.

- buttons coloured for easy identification.

- two buttons are used giving up to one hundred possible identification combinations.

Material :-
ACETAL C 27021