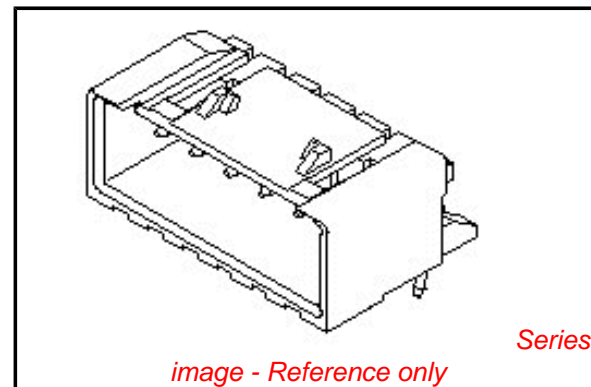


PLEASE CHECK WWW.MOLEX.COM FOR LATEST PART INFORMATION

Part Number: [0534260610](#)
Status: **Active**
Overview: [minilock](#)
Description: 2.50mm (.098") Pitch Mini-Lock™ Wire-to-Board Header, Right Angle, Friction and Positive Lock, 6 Circuits, Lead-free

Documents:

3D Model	Product Specification PS-51103-007 (PDF)
Drawing (PDF)	Product Specification PS-51163-001 (PDF)
Product Specification PS-51102-002 (PDF)	Product Specification PS-51163-002 (PDF)
Product Specification PS-51103-005 (PDF)	RoHS Certificate of Compliance (PDF)



Agency Certification

CSA	LR19980
TUV	R72081037
UL	E29179

General

Product Family	PCB Headers
Series	53426
Application	Wire-to-Board
MolexKits	Yes
Overview	minilock
Product Name	Mini-Lock™

Physical

Breakaway	No
Circuits (Loaded)	6
Circuits (maximum)	6
Color - Resin	White
Durability (mating cycles max)	30
Flammability	94V-0
Glow-Wire Compliant	No
Keying to Mating Part	Yes
Lock to Mating Part	Yes
Material - Metal	Phosphor Bronze
Material - Plating Mating	Tin
Material - Plating Termination	Tin
Number of Rows	1
Orientation	Right Angle
PC Tail Length (in)	0.134 In
PC Tail Length (mm)	3.40 mm
PCB Locator	No
PCB Retention	Yes
PCB Thickness Recommended (in)	0.062 In
PCB Thickness Recommended (mm)	1.60 mm
Packaging Type	Tray
Pitch - Mating Interface (in)	0.098 In
Pitch - Mating Interface (mm)	2.50 mm
Polarized to PCB	No
Shrouded	Fully
Stackable	No
Surface Mount Compatible (SMC)	No
Temperature Range - Operating	-40°C to +105°C
Termination Interface: Style	Through Hole

EU RoHS

ELV and RoHS Compliant
REACH SVHC
Contains SVHC: No
Halogen-Free

China RoHS



Status

Not Halogen-Free

Need more information on product environmental compliance?

Email productcompliance@molex.com
 For a multiple part number RoHS Certificate of Compliance, [click here](#)

Please visit the [Contact Us](#) section for any non-product compliance questions.

Search Parts in this Series

[53426Series](#)

Mates With

[51102](#) Housing with Friction Lock. [51103](#) Housing with Positive Lock. [51163](#) , [51164](#) Housing with Positive Lock and Retainer. [50351](#) Crimp Terminal. [50752](#) Crimp Terminal

Electrical

Current - Maximum per Contact

3A

Voltage - Maximum

250V

Material Info**Reference - Drawing Numbers**

Packaging Specification

SPK-53426-002

Product Specification

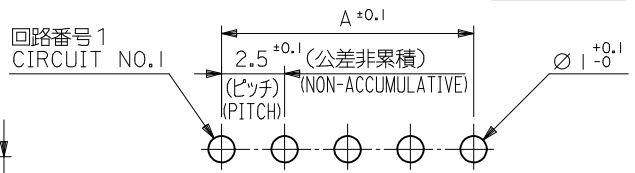
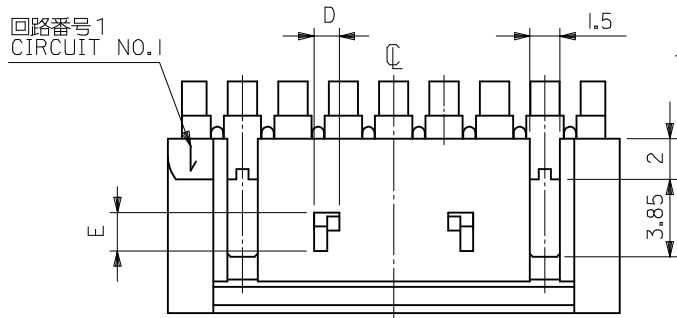
PS-51102-002, PS-51103-005, PS-51103-007,
PS-51163-001, PS-51163-002, RPS-51103-010,
RPS-51103-011, RPS-51103-032, RPS-51103-034,
RPS-51103-039, RPS-51103-041, RPS-51103-044,
RPS-51103-047, RPS-51103-050, RPS-51103-056,
RPS-51103-057, RPS-51163-002

Sales Drawing

SD-53426-001

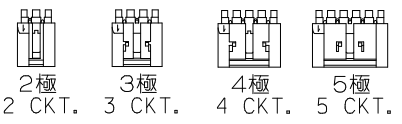
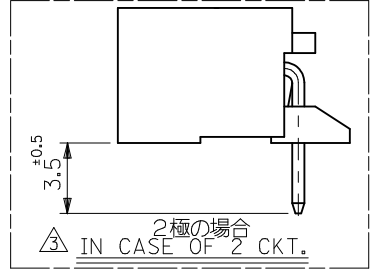
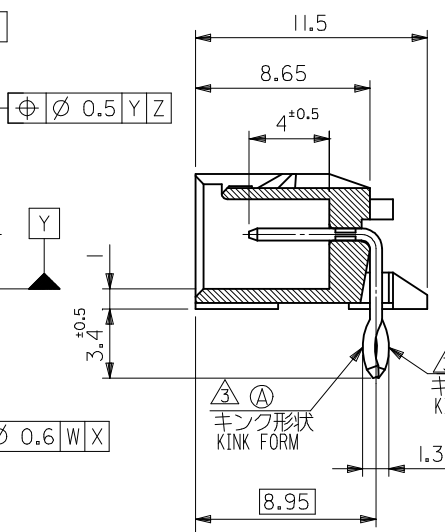
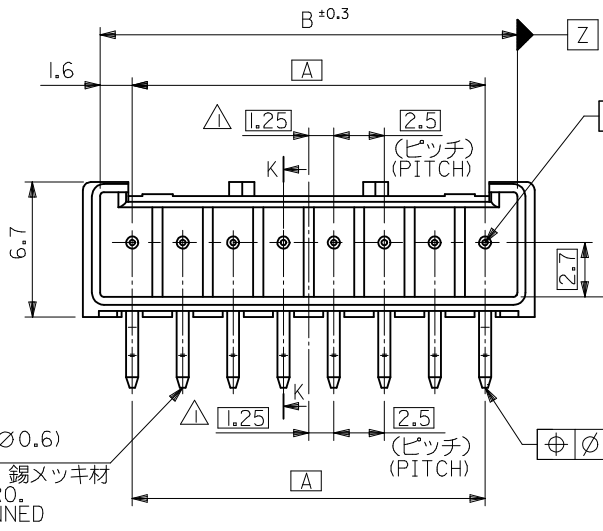
This document was generated on 06/07/2010

PLEASE CHECK WWW.MOLEX.COM FOR LATEST PART INFORMATION



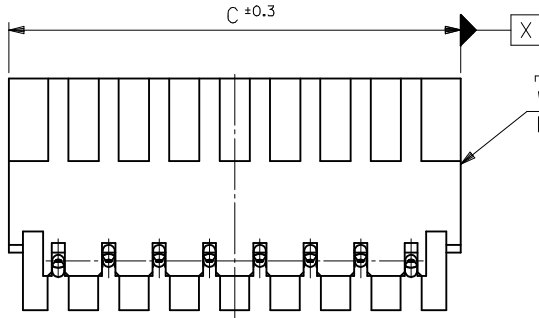
注記 NOTES

- △ 偶数極品に適用。
APPLIES ONLY TO EVEN NO. CKT. SIZES.
- 2. 嵌合相手：51102,51103シリーズ
MATES WITH : 51102,51103 SERIES.
- △ 2極はキンクを付加しない。
3極以上のキンク形状は両サイドが(B)、その他の極はすべて(A)形状とする。
KINK FORM
2 CIRCUIT:PINS TO BE NOT KINKED.
MORE THAN 2 CURCUIT:
PINS AT BOTH ENDS ARE KINK FORMED TO (B),
THE OTHER PINS ARE KINK FORMED TO (A).
- 4. 製品番号の下1桁は色を表します。
LAST DIGIT OF PART NUMBER INDICATES COLOR.
0:白 WHITE 2:赤 RED



ロック形状図 LOCK CONFIGURATION

1.9	1.25	39.9	38.2	35		53426-1510	15
		37.4	35.7	32.5		53426-1410	14
		34.9	33.2	30		53426-1310	13
		32.4	30.7	27.5		53426-1210	12
		29.9	28.2	25		53426-1110	11
		27.4	25.7	22.5		53426-1010	10
		24.9	23.2	20		53426-0910	9
		22.4	20.7	17.5		53426-0810	8
		19.9	18.2	15		53426-0710	7
		17.4	15.7	12.5		53426-0610	6
		14.9	13.2	10		53426-0510	5
	1.25	12.4	10.7	7.5	53426-0412	53426-0410	4
1.9	1	9.9	8.2	5		53426-0310	3
#	#	7.4	5.7	2.5		53426-0210	2
E	D	C	B	A	53426-***12 COLOR:RED	53426-***10 COLOR:WHITE	極数 NO. OF CKTS.



REVISED EC NO: J2009-0576
 DRWN:NAKAMURAA 2008/12/16
 CHKD:T. HARUYAMA 2008/12/16
 APPR:NUKITA 2009/01/19

GENERAL TOLERANCES (UNLESS SPECIFIED)

10 UNDER	±0.2
10 OVER 30 UNDER	±0.25
30 OVER	±0.3
ANGULAR	±3 °

DRAFT WHERE APPLICABLE MUST REMAIN WITHIN DIMENSIONS

DIMENSION STYLE: MM ONLY
 SCALE: 4:1
 DESIGN UNITS: METRIC
 THIRD ANGLE PROJECTION

TITLE: 2.5 W/B CONN.WAFER ASSY RIGHT ANGLE WITH KINK -LEAD FREE-

APPROVED BY: T. YAMAGUCHI 2001/11/13
 MATERIAL NO. SEE CHART

MOLEX INCORPORATED
 DOCUMENT NO. SD-53426-001
 SHEET NO. 1 OF 1

MODEL NO. 53426-***1*