

MCP (MULTI-CHIP PACKAGE) FLASH MEMORY AND MOBILE SPECIFIED RAM 32M-BIT FLASH MEMORY AND 16M-BIT CMOS MOBILE SPECIFIED RAM

Description

The MC-242452 is a stacked type MCP (Multi-Chip Package) of 33,554,432 bits (BYTE mode : 4,194,304 words by 8 bits, WORD mode : 2,097,152 words by 16 bits) flash memory and 16,777,216 bits (1,048,576 words by 16 bits) Mobile Specified RAM.

- ★ The MC-242452 is packaged in a 77-pin TAPE FBGA and 71-pin TAPE FBGA.

Features

General Features

- Fast access time : $t_{ACC} = 90$ ns (MAX.), 85 ns (MAX.) ($V_{CCF} \geq 2.7$ V) (Flash Memory)
 $t_{AA} = 80, 90, 100$ ns (MAX.) (Mobile Specified RAM)
- Supply voltage : $V_{CCF} / V_{CCM} = 2.6$ to 3.0 V
- Wide operating temperature : $T_A = -20$ to $+70$ °C

Flash Memory Features

- Two bank organization enabling simultaneous execution of program / erase and read
- Bank organization : 2 banks (4M bits + 28M bits)
- Memory organization :
 - 4,194,304 words \times 8 bits (BYTE mode)
 - 2,097,152 words \times 16 bits (WORD mode)
- Sector organization :
 - 71 sectors (8K bytes / 4K words \times 8 sectors, 64K bytes / 32K words \times 63 sectors)
- Boot sector allocated to the lowest address (sector)
- 3-state output
- Automatic program
 - Program suspend / resume
- Unlock bypass program
- Automatic erase
 - Chip erase
 - Sector erase (sectors can be combined freely)
 - Erase suspend / resume
- Program / Erase completion detection
 - Detection through data polling and toggle bits
 - Detection through RY (/BY) pin
- Sector group protection
 - Any sector can be protected
 - Any protected sector can be temporary unprotected

- Sectors can be used for boot application
- Hardware reset and standby using /RESET pin
- Automatic sleep mode
- Boot block sector protect by /WP (ACC) pin
- Conforms to common flash memory interface (CFI)
- Extra One Time Protect Sector provided

Mobile Specified RAM Features

- Memory organization : 1,048,576 words by 16 bits
- Supply current : At operating : 35 mA (MAX.)
 - At Standby Mode 1 : 100 μ A (MAX.)
 - At Standby Mode 2 : 10 μ A (MAX.)
- Chip Enable inputs : /CEm
- Byte data control : /LB, /UB
- Standby Mode input : MODE
- Standby Mode 1 :
 - Normal standby (Memory cell data hold valid)
- Standby Mode 2 :
 - Memory cell data hold invalid

The information in this document is subject to change without notice. Before using this document, please confirm that this is the latest version.
Not all devices/types available in every country. Please check with local NEC representative for availability and additional information.

Ordering Information

Part number	Flash Memory Boot sector	Flash Memory Access time ns (MAX.)	Mobile Specified RAM Access time ns (MAX.)	Package
MC-242452F9-B90-BT3	Bottom address (sector)	90	80	77-pin TAPE FBGA (12 × 7)
MC-242452F9-B95-BT3 ^{Note}	(B type)	85 (V _{ccf} ≥ 2.7 V)	90	
MC-242452F9-B10-BT3			100	
★ MC-242452F9-B90-BS1 ^{Note}			80	71-pin TAPE FBGA (11 × 7)
★ MC-242452F9-B95-BS1 ^{Note}	90			
★ MC-242452F9-B10-BS1 ^{Note}	100			

Note Under development

★ Pin Configurations

/xxx indicates active low signal.

77-pin TAPE FBGA (12 × 7)

Top View

	A	B	C	D	E	F	G	H	J	K	L	M	N	P
8	NC	NC	NC		A15	IC	IC	A16	CIOf	Vss		NC	NC	NC
7		NC	NC	A11	A12	A13	A14	NC	I/O15, A-1	I/O7	I/O14	NC	NC	
6				A8	A19	A9	A10	I/O6	I/O13	I/O12	I/O5			
5				/WE	MODE	A20			I/O4	Vccm	NC			
4				/WP(ACC)	/RESET	RY(/BY)			I/O3	Vccf	I/O11			
3				/LB	/UB	A18	A17	I/O1	I/O9	I/O10	I/O2			
2		NC	NC	A7	A6	A5	A4	Vss	/OE	I/O0	I/O8	NC	NC	
1	NC	NC	NC		A3	A2	A1	A0	/CEf	/CEm	NC	NC	NC	NC

71-pin TAPE FBGA (11 × 7)

Top View

	A	B	C	D	E	F	G	H	J	K	L	M
8	NC	NC		A15	NC	IC	A16	CIOf	Vss		NC	NC
7	NC	NC	A11	A12	A13	A14	NC	I/O15, A-1	I/O7	I/O14	NC	NC
6			A8	A19	A9	A10	I/O6	I/O13	I/O12	I/O5		
5				/WE	MODE	A20			I/O4	Vccm	NC	
4				/WP(ACC)/RESET	RY(/BY)				I/O3	Vccf	I/O11	
3				/LB	/UB	A18	A17	I/O1	I/O9	I/O10	I/O2	
2	NC		A7	A6	A5	A4	Vss	/OE	I/O0	I/O8	NC	NC
1	NC	NC		A3	A2	A1	A0	/CEf	/CEm		NC	NC

Common Pins

- A0 - A19 : Address inputs
- I/O0 - I/O15 : Data inputs / outputs
- /OE : Output Enable
- /WE : Write Enable
- Vss : Ground
- NC ^{Note 1} : No Connection
- IC ^{Note 2} : Internal Connection

Flash Memory Pins

- A20 : Address inputs
- I/O15, A-1 : Data inputs / outputs 15 (WORD mode)
LSB address input (BYTE mode)
- /CEf : Chip Enable
- RY (/BY) : Ready (Busy) output
- /RESET : Hardware reset input
- Vccf : Supply Voltage
- /WP(ACC) : Hardware Write Protect (Acceleration)
- CIOf : Selects 8-bit or 16-bit mode

Mobile Specified RAM Pins

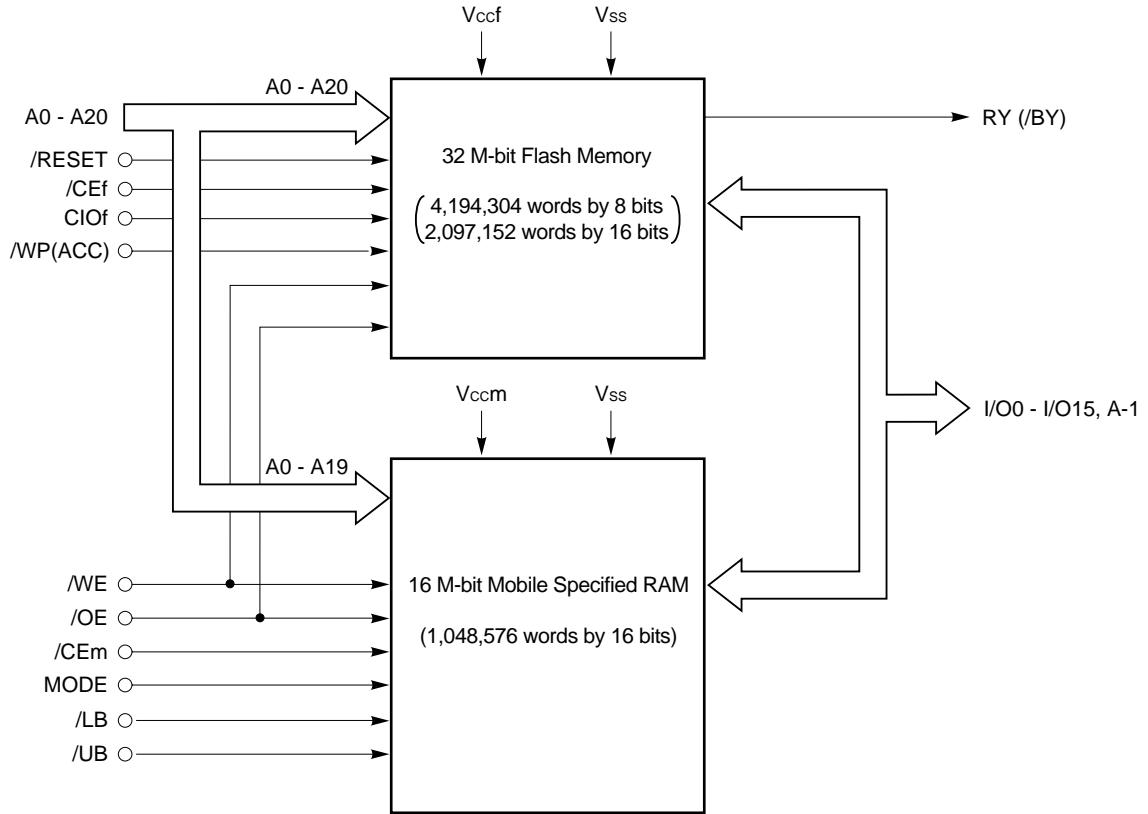
- /CEm : Chip Enable
- MODE : Standby mode select
- Vccm : Supply Voltage
- /LB, /UB : Byte data select

Note 1. Some signals can be applied because this pin is not internally connected.

2. Leave this pin connected to Vss or unconnected (Recommended to connected to Vss).

Remark Refer to **Package Drawings** for the index mark.

Block Diagram



Bus Operations Table

Operation		Flash Memory				Mobile Specified RAM				Common				
		/RESET	/CEf	CIOf	/WP(ACC)	/CEm	MODE	/LB	/UB	/OE	/WE	I/O0 - I/O7	I/O8-I/O15	
Full standby	Standby Mode 1	H	H	×	×	H	H	×	×	×	×	Hi-Z	Hi-Z	
	Standby Mode 2					H	L							
Output disable		H	L	×	×	L	H	×	×	H	H	Hi-Z	Hi-Z	
Read (Flash Memory ^{Note 1})	BYTE mode	H	L	L	×	Note 2				L	H	Data Out	Hi-Z	
	WORD mode			H								Data Out	Data Out	
Write (Flash Memory)	BYTE mode	H	L	L	×	Note 2				H	L	Data In	Hi-Z	
	WORD mode			H								Data In	Data In	
Temporary sector group unprotect		V _{ID}	×	×	×	Note 2				×	×	Hi-Z or Data In/Out	Hi-Z or Data In/Out	
Boot block sector protect		×	×	×	L	×	×	×	×	×	×	Hi-Z or Data In/Out	Hi-Z or Data In/Out	
Flash Memory hardware reset		L	×	×	×	×	×	×	×	×	×	Hi-Z	Hi-Z	
Read (Mobile Specified RAM)	Note 3					L	H	L	L	L	H	Data Out	Data Out	
									H					Hi-Z
								H	L					Hi-Z
Write (Mobile Specified RAM)	Note 3					L	H	L	L	×	L	Data In	Data In	
									H					Hi-Z
								H	L					Hi-Z

Caution Other operations except for indicated in this table are inhibited.

- Notes**
1. When /OE = V_{IL}, V_{IL} can be applied to /WE. When /OE = V_{IH}, a write operation is started.
 2. Mobile Specified RAM should be Standby.
 3. Flash Memory should be Standby or Hardware reset.

Remarks 1. × : V_{IH} or V_{IL}, H : V_{IH}, L : V_{IL}

2. Sector group protection and read the product ID are using a command.
3. MODE pin of Mobile Specified RAM must be fixed to H during active operation.

★ 4. Refer to **DUAL OPERATION FLASH MEMORY 32M BITS A SERIES Information (M14914E)** for Bus Operations of Flash Memory.

Sector Organization / Sector Address Table (Flash Memory)

Flash Memory bottom boot

(1/2)

Bank	Sector Organization K bytes / K words	Address		Sectors Address	Sector Address Table								
		BYTE mode	WORD mode		Bank Address Table								
					A20	A19	A18	A17	A16	A15	A14	A13	A12
Bank 2	64/32	3FFFFFH 3F0000H	1FFFFFH 1F8000H	FSA70	1	1	1	1	1	1	x	x	x
	64/32	3EFFFFH 3E0000H	1F7FFFFH 1F0000H	FSA69	1	1	1	1	1	0	x	x	x
	64/32	3DFFFFH 3D0000H	1EFFFFH 1E8000H	FSA68	1	1	1	1	0	1	x	x	x
	64/32	3CFFFFH 3C0000H	1E7FFFFH 1E0000H	FSA67	1	1	1	1	0	0	x	x	x
	64/32	3BFFFFH 3B0000H	1DFFFFH 1D8000H	FSA66	1	1	1	0	1	1	x	x	x
	64/32	3AFFFFH 3A0000H	1D7FFFFH 1D0000H	FSA65	1	1	1	0	1	0	x	x	x
	64/32	39FFFFH 390000H	1CFFFFH 1C8000H	FSA64	1	1	1	0	0	1	x	x	x
	64/32	38FFFFH 380000H	1C7FFFFH 1C0000H	FSA63	1	1	1	0	0	0	x	x	x
	64/32	37FFFFH 370000H	1BFFFFH 1B8000H	FSA62	1	1	0	1	1	1	x	x	x
	64/32	36FFFFH 360000H	1B7FFFFH 1B0000H	FSA61	1	1	0	1	1	0	x	x	x
	64/32	35FFFFH 350000H	1AFFFFH 1A8000H	FSA60	1	1	0	1	0	1	x	x	x
	64/32	34FFFFH 340000H	1A7FFFFH 1A0000H	FSA59	1	1	0	1	0	0	x	x	x
	64/32	33FFFFH 330000H	19FFFFH 198000H	FSA58	1	1	0	0	1	1	x	x	x
	64/32	32FFFFH 320000H	197FFFFH 190000H	FSA57	1	1	0	0	1	0	x	x	x
	64/32	31FFFFH 310000H	18FFFFH 188000H	FSA56	1	1	0	0	0	1	x	x	x
	64/32	30FFFFH 300000H	187FFFFH 180000H	FSA55	1	1	0	0	0	0	x	x	x
	64/32	2FFFFFH 2F0000H	17FFFFH 178000H	FSA54	1	0	1	1	1	1	x	x	x
	64/32	2EFFFFH 2E0000H	177FFFFH 170000H	FSA53	1	0	1	1	1	0	x	x	x
	64/32	2DFFFFH 2D0000H	16FFFFH 168000H	FSA52	1	0	1	1	0	1	x	x	x
	64/32	2CFFFFH 2C0000H	167FFFFH 160000H	FSA51	1	0	1	1	0	0	x	x	x
	64/32	2BFFFFH 2B0000H	15FFFFH 158000H	FSA50	1	0	1	0	1	1	x	x	x
	64/32	2AFFFFH 2A0000H	157FFFFH 150000H	FSA49	1	0	1	0	1	0	x	x	x
	64/32	29FFFFH 290000H	14FFFFH 148000H	FSA48	1	0	1	0	0	1	x	x	x
	64/32	28FFFFH 280000H	147FFFFH 140000H	FSA47	1	0	1	0	0	0	x	x	x
	64/32	27FFFFH 270000H	13FFFFH 138000H	FSA46	1	0	0	1	1	1	x	x	x
	64/32	26FFFFH 260000H	137FFFFH 130000H	FSA45	1	0	0	1	1	0	x	x	x
	64/32	25FFFFH 250000H	12FFFFH 128000H	FSA44	1	0	0	1	0	1	x	x	x
	64/32	24FFFFH 240000H	127FFFFH 120000H	FSA43	1	0	0	1	0	0	x	x	x
	64/32	23FFFFH 230000H	11FFFFH 118000H	FSA42	1	0	0	0	1	1	x	x	x
	64/32	22FFFFH 220000H	117FFFFH 110000H	FSA41	1	0	0	0	1	0	x	x	x
	64/32	21FFFFH 210000H	10FFFFH 108000H	FSA40	1	0	0	0	0	1	x	x	x
	64/32	20FFFFH 200000H	107FFFFH 100000H	FSA39	1	0	0	0	0	0	x	x	x
64/32	1FFFFFH 1F0000H	0FFFFFH 0F8000H	FSA38	0	1	1	1	1	1	x	x	x	
64/32	1EFFFFH 1E0000H	0F7FFFFH 0F0000H	FSA37	0	1	1	1	1	0	x	x	x	
64/32	1DFFFFH 1D0000H	0EFFFFH 0E8000H	FSA36	0	1	1	1	0	1	x	x	x	
64/32	1CFFFFH 1C0000H	0E7FFFFH 0E0000H	FSA35	0	1	1	1	0	0	x	x	x	

(2/2)

Bank	Sector Organization K bytes / K words	Address		Sectors Address	Sector Address Table								
		BYTE mode	WORD mode		Bank Address Table								
					A20	A19	A18	A17	A16	A15	A14	A13	A12
Bank 2	64/32	1BFFFFH 1B0000H	0DFFFFH 0D8000H	FSA34	0	1	1	0	1	1	x	x	x
	64/32	1AFFFFH 1A0000H	0D7FFFH 0D0000H	FSA33	0	1	1	0	1	0	x	x	x
	64/32	19FFFFH 190000H	0CFFFFH 0C8000H	FSA32	0	1	1	0	0	1	x	x	x
	64/32	18FFFFH 180000H	0C7FFFH 0C0000H	FSA31	0	1	1	0	0	0	x	x	x
	64/32	17FFFFH 170000H	0BFFFFH 0B8000H	FSA30	0	1	0	1	1	1	x	x	x
	64/32	16FFFFH 160000H	0B7FFFH 0B0000H	FSA29	0	1	0	1	1	0	x	x	x
	64/32	15FFFFH 150000H	0AFFFFFH 0A8000H	FSA28	0	1	0	1	0	1	x	x	x
	64/32	14FFFFH 140000H	0A7FFFH 0A0000H	FSA27	0	1	0	1	0	0	x	x	x
	64/32	13FFFFH 130000H	09FFFFH 098000H	FSA26	0	1	0	0	1	1	x	x	x
	64/32	12FFFFH 120000H	097FFFH 090000H	FSA25	0	1	0	0	1	0	x	x	x
	64/32	11FFFFH 110000H	08FFFFH 088000H	FSA24	0	1	0	0	0	1	x	x	x
	64/32	10FFFFH 100000H	087FFFH 080000H	FSA23	0	1	0	0	0	0	x	x	x
	64/32	0FFFFFH 0F0000H	07FFFFH 078000H	FSA22	0	0	1	1	1	1	x	x	x
	64/32	0EFFFFH 0E0000H	077FFFH 070000H	FSA21	0	0	1	1	1	0	x	x	x
	64/32	0DFFFFH 0D0000H	06FFFFH 068000H	FSA20	0	0	1	1	0	1	x	x	x
	64/32	0CFFFFH 0C0000H	067FFFH 060000H	FSA19	0	0	1	1	0	0	x	x	x
	64/32	0BFFFFH 0B0000H	05FFFFH 058000H	FSA18	0	0	1	0	1	1	x	x	x
	64/32	0AFFFFH 0A0000H	057FFFH 050000H	FSA17	0	0	1	0	1	0	x	x	x
	64/32	09FFFFH 090000H	04FFFFH 048000H	FSA16	0	0	1	0	0	1	x	x	x
	64/32	08FFFFH 080000H	047FFFH 040000H	FSA15	0	0	1	0	0	0	x	x	x
Bank 1	64/32	07FFFFH 070000H	03FFFFH 038000H	FSA14	0	0	0	1	1	1	x	x	x
	64/32	06FFFFH 060000H	037FFFH 030000H	FSA13	0	0	0	1	1	0	x	x	x
	64/32	05FFFFH 050000H	02FFFFH 028000H	FSA12	0	0	0	1	0	1	x	x	x
	64/32	04FFFFH 040000H	027FFFH 020000H	FSA11	0	0	0	1	0	0	x	x	x
	64/32	03FFFFH 030000H	01FFFFH 018000H	FSA10	0	0	0	0	1	1	x	x	x
	64/32	02FFFFH 020000H	017FFFH 010000H	FSA9	0	0	0	0	1	0	x	x	x
	64/32	01FFFFH 010000H	00FFFFH 008000H	FSA8	0	0	0	0	0	1	x	x	x
	8/4	00FFFFH 00E000H	007FFFH 007000H	FSA7	0	0	0	0	0	0	1	1	1
	8/4	00DFFFH 00C000H	006FFFH 006000H	FSA6	0	0	0	0	0	0	1	1	0
	8/4	00BFFFH 00A000H	005FFFH 005000H	FSA5	0	0	0	0	0	0	1	0	1
	8/4	009FFFH 008000H	004FFFH 004000H	FSA4	0	0	0	0	0	0	1	0	0
	8/4	007FFFH 006000H	003FFFH 003000H	FSA3	0	0	0	0	0	0	0	1	1
	8/4	005FFFH 004000H	002FFFH 002000H	FSA2	0	0	0	0	0	0	0	1	0
	8/4	003FFFH 002000H	001FFFH 001000H	FSA1	0	0	0	0	0	0	0	0	1
	8/4	001FFFH 000000H	000FFFH 000000H	FSA0	0	0	0	0	0	0	0	0	0

★ Sector Group Address Table (Flash Memory)

Sector group	A20	A19	A18	A17	A16	A15	A14	A13	A12	Size	Sector
SGA0	0	0	0	0	0	0	0	0	0	8K Bytes (1 Sector)	FSA0
SGA1	0	0	0	0	0	0	0	0	1	8K Bytes (1 Sector)	FSA1
SGA2	0	0	0	0	0	0	0	1	0	8K Bytes (1 Sector)	FSA2
SGA3	0	0	0	0	0	0	0	1	1	8K Bytes (1 Sector)	FSA3
SGA4	0	0	0	0	0	0	1	0	0	8K Bytes (1 Sector)	FSA4
SGA5	0	0	0	0	0	0	1	0	1	8K Bytes (1 Sector)	FSA5
SGA6	0	0	0	0	0	0	1	1	0	8K Bytes (1 Sector)	FSA6
SGA7	0	0	0	0	0	0	1	1	1	8K Bytes (1 Sector)	FSA7
SGA8	0	0	0	0	0	1	×	×	×	192K Bytes (3 Sectors)	FSA8–FSA10
					1	0					
					1	1					
SGA9	0	0	0	1	×	×	×	×	×	256K Bytes (4 Sectors)	FSA11–FSA14
SGA10	0	0	1	0	×	×	×	×	×	256K Bytes (4 Sectors)	FSA15–FSA18
SGA11	0	0	1	1	×	×	×	×	×	256K Bytes (4 Sectors)	FSA19–FSA22
SGA12	0	1	0	0	×	×	×	×	×	256K Bytes (4 Sectors)	FSA23–FSA26
SGA13	0	1	0	1	×	×	×	×	×	256K Bytes (4 Sectors)	FSA27–FSA30
SGA14	0	1	1	0	×	×	×	×	×	256K Bytes (4 Sectors)	FSA31–FSA34
SGA15	0	1	1	1	×	×	×	×	×	256K Bytes (4 Sectors)	FSA35–FSA38
SGA16	1	0	0	0	×	×	×	×	×	256K Bytes (4 Sectors)	FSA39–FSA42
SGA17	1	0	0	1	×	×	×	×	×	256K Bytes (4 Sectors)	FSA43–FSA46
SGA18	1	0	1	0	×	×	×	×	×	256K Bytes (4 Sectors)	FSA47–FSA50
SGA19	1	0	1	1	×	×	×	×	×	256K Bytes (4 Sectors)	FSA51–FSA54
SGA20	1	1	0	0	×	×	×	×	×	256K Bytes (4 Sectors)	FSA55–FSA58
SGA21	1	1	0	1	×	×	×	×	×	256K Bytes (4 Sectors)	FSA59–FSA62
SGA22	1	1	1	0	×	×	×	×	×	256K Bytes (4 Sectors)	FSA63–FSA66
SGA23	1	1	1	1	0	0	×	×	×	192K Bytes (3 Sectors)	FSA67–FSA69
					0	1					
					1	0					
SGA24	1	1	1	1	1	1	×	×	×	64K Bytes (1 Sector)	FSA70

Remark × : V_{IH} or V_{IL}

Command Sequence (Flash Memory)

Command sequence		Bus Cycle	1st bus Cycle		2nd bus Cycle		3rd bus Cycle		4th bus Cycle		5th bus Cycle		6th bus Cycle	
			Address	Data	Address	Data	Address	Data	Address	Data	Address	Data	Address	Data
Read / Reset ^{Note1}		1	xxxH	F0H	RA	RD	-	-	-	-	-	-	-	-
Read / Reset ^{Note1}	BYTE mode	3	AAAH	AAH	555H	55H	AAAH	F0H	RA	RD	-	-	-	-
	WORD mode		555H		2AAH		555H							
Program	BYTE mode	4	AAAH	AAH	555H	55H	AAAH	A0H	PA	PD	-	-	-	-
	WORD mode		555H		2AAH		555H							
Program Suspend ^{Note 2}		1	BA	B0H	-	-	-	-	-	-	-	-	-	-
Program Resume ^{Note 3}		1	BA	30H	-	-	-	-	-	-	-	-	-	-
Chip Erase	BYTE mode	6	AAAH	AAH	555H	55H	AAAH	80H	AAAH	AAH	555H	55H	AAAH	10H
	WORD mode		555H		2AAH		555H		555H		2AAH		555H	
Sector Erase	BYTE mode	6	AAAH	AAH	555H	55H	AAAH	80H	AAAH	AAH	555H	55H	FSA	30H
	WORD mode		555H		2AAH		555H		555H		2AAH			
Sector Erase Suspend ^{Note 4}		1	BA	B0H	-	-	-	-	-	-	-	-	-	-
Sector Erase Resume ^{Note 5}		1	BA	30H	-	-	-	-	-	-	-	-	-	-
Unlock Bypass Set	BYTE mode	3	AAAH	AAH	555H	55H	AAAH	20H	-	-	-	-	-	-
	WORD mode		555H		2AAH		555H							
Unlock Bypass Program ^{Note 6}		2	xxxH	A0H	PA	PD	-	-	-	-	-	-	-	-
Unlock Bypass Reset ^{Note 6}		2	BA	90H	xxxH	00H ^{Note11}	-	-	-	-	-	-	-	-
Product ID	BYTE mode	3	AAAH	AAH	555H	55H	(BA) AAAH	90H	IA	ID	-	-	-	-
	WORD mode		555H		2AAH		(BA) 555H							
Sector Group Protection ^{Note 7}		4	xxxH	60H	SPA	60H	SPA	40H	SPA	SD	-	-	-	-
Sector Group Unprotect ^{Note 8}		4	xxxH	60H	SUA	60H	SUA	40H	SUA	SD	-	-	-	-
Query ^{Note 9}	BYTE mode	1	AAH	98H	-	-	-	-	-	-	-	-	-	-
	WORD mode		55H											
Extra One Time Protect	BYTE mode	3	AAAH	AAH	555H	55H	AAAH	88H	-	-	-	-	-	-
Sector Entry	WORD mode		555H		2AAH		555H							
Extra One Time Protect Sector Program ^{Note 10}	BYTE mode	4	AAAH	AAH	555H	55H	AAAH	A0H	PA	PD	-	-	-	-
	WORD mode		555H		2AAH		555H							
Extra One Time Protect Sector Erase ^{Note 10}	BYTE mode	6	AAAH	AAH	555H	55H	AAAH	80H	AAAH	AAH	555H	55H	EOTPSA	30H
	WORD mode		555H		2AAH		555H		555H		2AAH			
Extra One Time Protect Sector Reset ^{Note 10}	BYTE mode	4	AAAH	AAH	555H	55H	AAAH	90H	xxxH	00H	-	-	-	-
	WORD mode		555H		2AAH		555H							
Extra One Time Protect Sector Protection ^{Note 10}		4	xxxH	60H	EOTPSA	60H	EOTPSA	40H	EOTPSA	SD	-	-	-	-

- Notes**
1. Both these read / reset commands reset the device to the read mode.
 2. Programming is suspended if B0H is input to the bank address being programmed to in a program operation.
 3. Programming is resumed if 30H is input to the bank address being suspended to in a program-suspend operation.
 4. Erasure is suspended if B0H is input to the bank address being erased in a sector erase operation.
 5. Erasure is resumed if 30H is input to the bank address being suspended in a sector-erase-suspend operation.
 6. Valid only in the unlock bypass mode.
 7. Valid only when /RESET = V_{DD} (except in the Extra One Time Protect Sector mode).
 8. The command sequence that protects a sector group is excluded.
 9. Only A0 to A6 are valid as an address.
 10. Valid only in the Extra One Time Protect Sector mode.
 11. This command can be used even if this data is F0H.

Remarks 1. Specify address 555H (A10 to A0) in the WORD mode, and AAAH (A10 to A0, A-1) in the BYTE mode.

2. RA : Read address

RD : Read data

IA : Address input

xx00H (to read the manufacturer code)

xx02H (to read the device code in the BYTE mode)

xx01H (to read the device code in the WORD mode)

ID : Code output. Refer to the **Product ID code (Manufacturer code / Device code) (Flash Memory)**.

PA : Program address

PD : Program data

FSA: Erase sector address. The sector to be erased is selected by the combination of this address. Refer to the **Sector Organization / Sector Address Table (Flash Memory)**.

BA : Bank address. Refer to the **Sector Organization / Sector Address Table (Flash Memory)**.

★ SPA : Sector group address to be protected. Set sector group address (SGA) and (A6, A1, A0) = (V_{IL}, V_{IH}, V_{IL}). For the sector group address, refer to the **Sector Group Address Table (Flash Memory)**.

★ SUA : Unprotect sector group address. Set sector group address (SGA) and (A6, A1, A0) = (V_{IH}, V_{IH}, V_{IL}). For the sector group address, refer to the **Sector Group Address Table (Flash Memory)**.

SD : Data for verifying whether sector groups read from the address specified by SPA, SUA, and EOTPSA are protected.

EOTPSA : Extra One Time Protect Sector area addresses.

BYTE mode : 000000H to 00FFFFH, WORD mode : 000000H to 007FFFH

3. The sector group address is don't care except when a program / erase address or read address are selected.

4. For the operation of the bus, refer to **Bus Operations Table**.

5. × of address bit indicates V_{IH} or V_{IL}.

★ 6. Refer to **DUAL OPERATION FLASH MEMORY 32M BITS A SERIES Information (M14914E)** for Commands of Flash Memory.

Product ID Code (Manufacturer Code / Device Code) (Flash Memory)

Product ID Code	Address inputs			Output
	A6	A1	A0	HEX
Manufacturer Code	L	L	L	10H
Device code	L	L	H	56H (BYTE mode), 2256H (WORD mode)

Product ID Code	Code outputs																HEX
	I/O 15	I/O 14	I/O 13	I/O 12	I/O 11	I/O 10	I/O 9	I/O 8	I/O 7	I/O 6	I/O 5	I/O 4	I/O 3	I/O 2	I/O 1	I/O 0	
Manufacturer Code	0	0	0	0	0	0	0	0	0	0	0	1	0	0	0	0	10H
Device code	BYTE mode	A-1	x	x	x	x	x	x	0	1	0	1	0	1	1	0	56H
	WORD mode	0	0	1	0	0	0	1	0	0	1	0	1	0	1	1	0

Remark H : V_{IH}, L : V_{IL}, x : Hi-Z

★ **Hardware Sequence Flags, Hardware Data Protection (Flash Memory)**

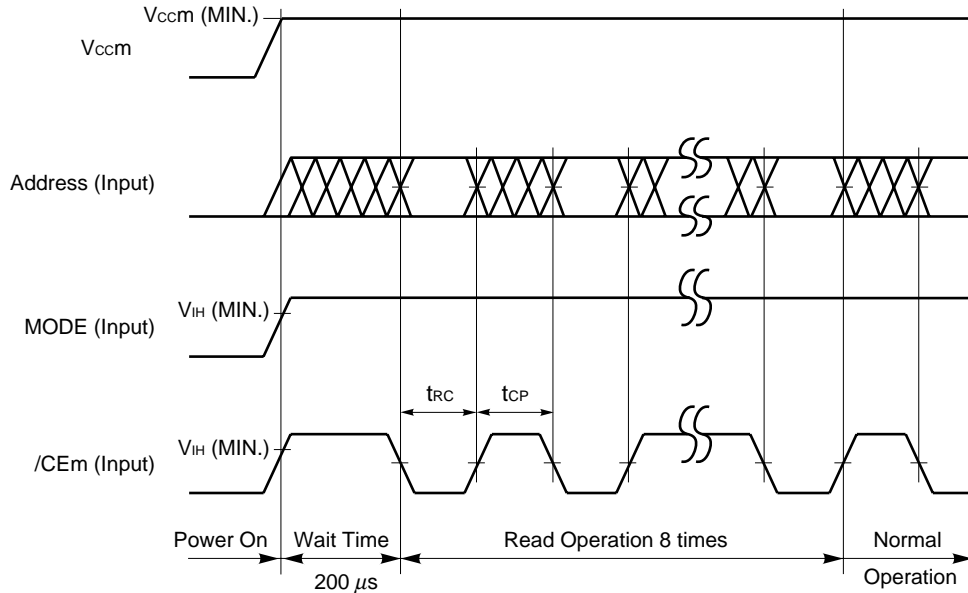
Refer to **DUAL OPERATION FLASH MEMORY 32M BITS A SERIES Information (M14914E)**.

Initialization (Mobile Specified RAM)

The MC-242452 is initialized in the power-on sequence according to the following.

- (1) To stabilize internal circuits, before turning on the power, a 200 μ s or longer wait time must precede any signal toggling.
- (2) After the wait time, read operation must be performed at least 8 times. After that, it can be normal operation.

Figure 1. Initialization Timing Chart



- Cautions**
1. Following power application, make MODE and /CEm high level during the wait time interval.
 2. Following power application, make MODE high level during the wait time and eight read operations.
 3. The read operation must satisfy the specs (Read Cycle (Mobile Specified RAM)).
 4. The address is don't care (VIH or VIL) during read operation.
 5. Read operation must be executed with toggled the /CEm pin.
 6. To prevent bus contention, it is recommended to set /OE to high level. However, do not input data to the I/O pins if /OE is low level during a read operation.

Standby Mode (Flash Memory)

Standby Mode 1 and Standby Mode 2 differ as shown below.

Table 1. Standby Mode Characteristics

Standby Mode	Memory Cell Data Hold	Standby Supply Current (μA)
Mode 1	Valid	100 (I_{SB1})
Mode 2	Invalid	10 (I_{SB2})

Standby Mode State Machine (Flash Memory)

(1) From Active

To shift from this state to Standby Mode 1, change $/\text{CEm}$ from V_{IL} to V_{IH} .

To shift from this state to Standby Mode 2, change $/\text{CEm}$ from V_{IL} to V_{IH} and change MODE from V_{IH} to V_{IL} .

(2) From Standby Mode 1

To shift from this state to Active, change $/\text{CEm}$ from V_{IH} to V_{IL} .

To shift from this state to Standby Mode 2, change MODE from V_{IH} to V_{IL} .

(3) From Standby Mode 2

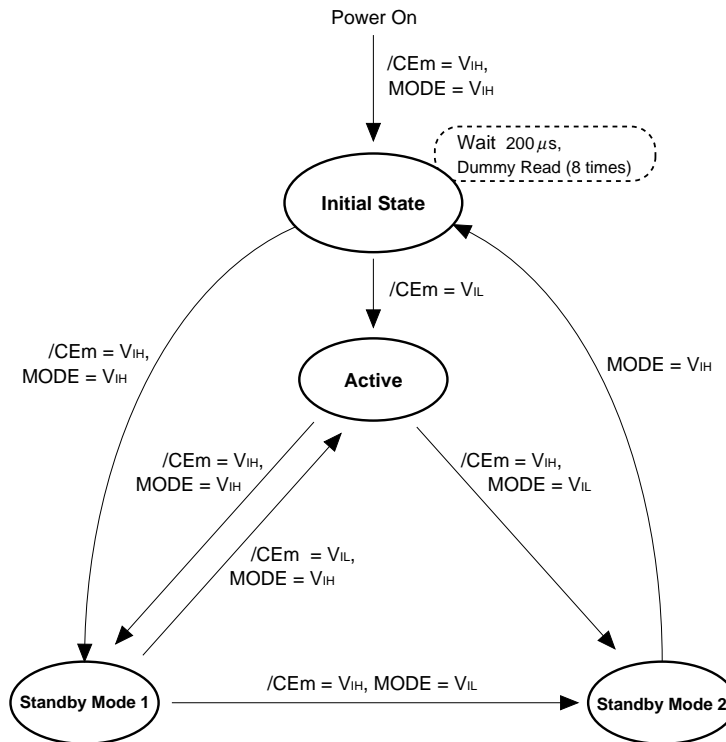
When shifting from this state to the Active state or to Standby Mode 1, it is necessary to set MODE to V_{IH} and perform a Dummy Read operation 8 times after waiting for 200 μs , in the same way as at power application.

Refer to **Figure 33. Standby Mode 2 entry and recovery Timing Chart (Mobile Specified RAM)**.

After shifting to Active state, change $/\text{CEm}$ to V_{IL} .

After shifting to Standby Mode 1, do not change either MODE or $/\text{CEm}$.

Figure 2. Standby Mode State Machine



Electrical Specifications

Before turning on power, input $V_{ss} \pm 0.2$ V to the /RESET pin until $V_{ccf} \geq V_{ccf}$ (MIN.).

Absolute Maximum Ratings

Parameter	Symbol	Condition	Rating	Unit
Supply voltage	V_{ccf}	with respect to V_{ss}	-0.5 to +4.0	V
	V_{ccm}	with respect to V_{ss}	-0.5 to +4.0	
Input / Output voltage	V_I	with respect to V_{ss}	-0.5 ^{Note 1} to +13.0	V
		/WP(ACC), /RESET except /WP(ACC), /RESET	-0.5 ^{Note 1} to V_{ccf} , $V_{ccm} + 0.4$ (4.0 V MAX.) ^{Note 2}	
Ambient operation temperature	T_A		-20 to +70	°C
Storage temperature	T_{stg}		-55 to +125	°C

Notes 1. -1.0 V (MIN.) (pulse width ≤ 20 ns)

2. V_{ccf} , $V_{ccm} + 0.5$ V (MAX.) (pulse width ≤ 20 ns)

Caution Exposing the device to stress above those listed in Absolute Maximum Rating could cause permanent damage. The device is not meant to be operated under conditions outside the limits described in the operational section of this specification. Exposure to Absolute Maximum Rating conditions for extended periods may affect device reliability.

Recommended Operating Conditions

Common

Parameter	Symbol	Condition	MIN.	TYP.	MAX.	Unit
Supply voltage	V_{ccf} , V_{ccm}		2.6		3.0	V
Ambient operation temperature	T_A		-20		+70	°C

Flash Memory

Parameter	Symbol	Condition	MIN.	TYP.	MAX.	Unit
High level input voltage	V_{IH}		2.4		$V_{ccf} + 0.3$	V
Low level input voltage	V_{IL}		-0.3		+0.5	V

Mobile Specified RAM

Parameter	Symbol	Condition	MIN.	TYP.	MAX.	Unit
High level input voltage	V_{IH}		$V_{ccm} \times 0.8$		$V_{ccm} + 0.3$	V
Low level input voltage	V_{IL}		-0.3 ^{Note}		$V_{ccm} \times 0.2$	V

Note -0.5 V (MIN.) (Pulse width: 30 ns)

DC Characteristics (Recommended Operating Conditions Unless Otherwise Noted)

Common

Parameter	Symbol	Test condition	MIN.	TYP.	MAX.	Unit
Input leakage current	I _{LI}		-1.0		+1.0	μA
Output leakage current	I _{LO}		-1.0		+1.0	μA

Flash Memory

Parameter	Symbol	Test condition	MIN.	TYP.	MAX.	Unit		
High level output voltage	V _{OH}	I _{OH} = -500 μA, V _{CCF} = V _{CCF} (MIN.)	V _{CCF} -0.3			V		
Low level output voltage	V _{OL}	I _{OL} = +1.0 mA, V _{CCF} = V _{CCF} (MIN.)			0.3	V		
Power supply current	Read	BYTE mode	V _{CCF} = V _{CCF} (MAX.), /CEf = V _{IL} , /OE = V _{IH}	t _{CYCLE} = 5 MHz		10	16	mA
				t _{CYCLE} = 1 MHz		2	4	
		WORD mode		t _{CYCLE} = 5 MHz		10	16	
				t _{CYCLE} = 1 MHz		2	4	
	Program, Erase	I _{CC2f}	V _{CCF} = V _{CCF} (MAX.), /CEf = V _{IL} , /OE = V _{IH}		15	30	mA	
	Standby	I _{CC3f}	V _{CCF} = V _{CCF} (MAX.), /CEf = /RESET = /WP(ACC) = V _{CCF} ± 0.3 V, /OE = V _{IL}		0.2	5	μA	
	Standby / Reset	I _{CC4f}	V _{CCF} = V _{CCF} (MAX.), /RESET = V _{SS} ± 0.2 V		0.2	5	μA	
	Automatic sleep mode	I _{CC5f}	V _{IH} = V _{CCF} ± 0.2 V, V _{IL} = V _{SS} ± 0.2 V		0.2	5	μA	
	Read during programming	I _{CC6f}	V _{IH} = V _{CCF} ± 0.2 V, V _{IL} = V _{SS} ± 0.2 V		21	45	mA	
	Read during erasing	I _{CC7f}	V _{IH} = V _{CCF} ± 0.2 V, V _{IL} = V _{SS} ± 0.2 V		21	45	mA	
Programming during suspend	I _{CC8f}	/CEf = V _{IL} , /OE = V _{IH} ,		17	35	mA		
		Automatic programming during suspend						
Accelerated programming	I _{ACC}	/WP (ACC) pin		5	10	mA		
		V _{CCF}		15	30			
/RESET high level input voltage	V _{ID}	High Voltage is applied	11.5		12.5	V		
Accelerated programming voltage	V _{ACC}	High Voltage is applied	8.5		9.5	V		
Low V _{CCF} lock-out voltage ^{Note}	V _{LKO}				1.7	V		

★ **Note** When V_{CCF} is equal to or lower than V_{LKO}, the device ignores all write cycles. Refer to **DUAL OPERATION FLASH MEMORY 32M BITS A SERIES Information (M14914E)**.

Mobile Specified RAM

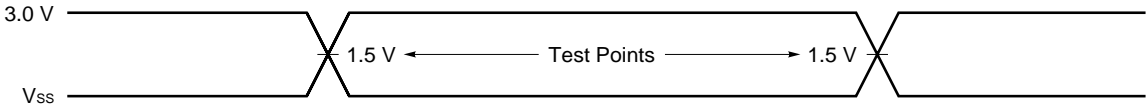
Parameter	Symbol	Test condition	MIN.	TYP.	MAX.	Unit
High level output voltage	V _{OH}	I _{OH} = -0.5 mA	V _{CCM} × 0.8			V
Low level output voltage	V _{OL}	I _{OL} = 1 mA			V _{CCM} × 0.2	V
Operating supply current	I _{CCA}	/CEm = V _{IL} , Minimum cycle time, I _{I/O} = 0 mA			35	mA
Standby supply current	Standby Mode 1	I _{SB1}	/CEm ≥ V _{CCM} - 0.2 V, MODE ≥ V _{CCM} - 0.2 V		100	μA
	Standby Mode 2	I _{SB2}	/CEm ≥ V _{CCM} - 0.2 V, MODE ≤ 0.2 V		10	

AC Characteristics (Recommended Operating Conditions Unless Otherwise Noted)

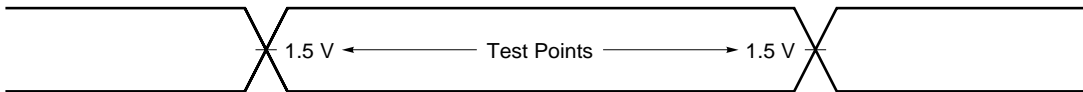
AC Test Conditions

Flash Memory

Input Waveform (Rise and Fall Time ≤ 5 ns)



Output Waveform

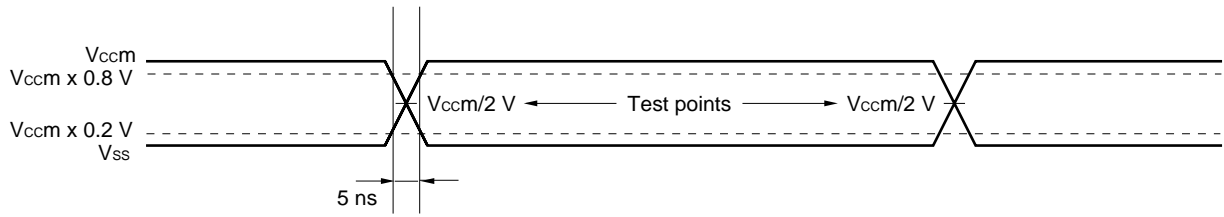


Output Load

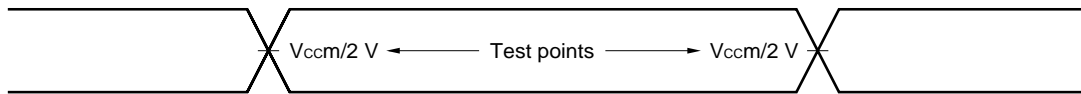
1 TTL + 30 pF

Mobile Specified RAM

Input Waveform (Rise and Fall Time ≤ 5 ns)



Output Waveform

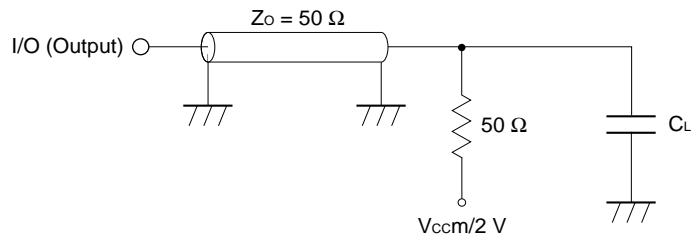


Output Load

AC characteristics directed with the note should be measured with the output load shown in Figure.

CL: 50 pF

5 pF (tCLZ, toLZ, tBLZ, tCHZ, toHZ, tBHZ, tWHZ, toW)



/CEf, /CEm Timing

Parameter	Symbol	Test Condition	MIN.	TYP.	MAX.	Unit	Note
/CEf, /CEm recover time	t _{CCR}		0			ns	

Read Cycle (Flash Memory)

Parameter	Symbol	Test Condition	MIN.	TYP.	MAX.	Unit	Note
Read cycle time	t _{RC}		90			ns	
			V _{CCF} ≥ 2.7 V	85			
Address access time	t _{ACC}	/CEf = /OE = V _{IL}			90	ns	
			V _{CCF} ≥ 2.7 V				
/CEf access time	t _{CEf}	/OE = V _{IL}			90	ns	
			V _{CCF} ≥ 2.7 V				
/OE access time	t _{OE}	/CEf = V _{IL}			40	ns	
Output disable time	t _{DF}	/OE = V _{IL} or /CEf = V _{IL}			30	ns	
Output hold time	t _{OH}		0			ns	
/RESET pulse width	t _{RP}		500			ns	
/RESET hold time before read	t _{RH}		50			ns	
/RESET low to read mode	t _{READY}				20	μs	
/CEf low to CIOf low, high	t _{ELFL} /t _{ELFH}				5	ns	
CIOf low output disable time	t _{FLOZ}				30	ns	
CIOf high access time	t _{FHOV}		90			ns	
			V _{CCF} ≥ 2.7 V	85			

Remark t_{DF} is the time from inactivation of /CEf or /OE to Hi-Z state output.

Write Cycle (Program / Erase) (Flash Memory)

Parameter	Symbol	MIN.	TYP.	MAX.	Unit	Note
Write cycle time	t _{wc}	90			ns	
		V _{ccf} ≥ 2.7 V	85			
Address setup time (/WE to address)	t _{as}	0			ns	
Address setup time (/CEf to address)	t _{as}	0			ns	
Address hold time (/WE to address)	t _{ah}	45			ns	
Address hold time (/CEf to address)	t _{ah}	45			ns	
Input data setup time	t _{ds}	35			ns	
Input data hold time	t _{dh}	0			ns	
/OE hold time	Read	t _{oeh}	0		ns	
	Toggle bit, Data polling		10			
Read recovery time before write (/OE to /CEf)	t _{ghel}	0			ns	
Read recovery time before write (/OE to /WE)	t _{ghwl}	0			ns	
/WE setup time (/CEf to /WE)	t _{ws}	0			ns	
/CEf setup time (/WE to /CEf)	t _{cs}	0			ns	
/WE hold time (/CEf to /WE)	t _{wh}	0			ns	
/CEf hold time (/WE to /CEf)	t _{ch}	0			ns	
Write pulse width	t _{wp}	35			ns	
/CEf pulse width	t _{cp}	35			ns	
Write pulse width high	t _{wph}	30			ns	
/CEf pulse width high	t _{cpH}	30			ns	
Byte programming operation time	t _{bpg}		9	200	μs	
Word programming operation time	t _{wpg}		11	200	μs	
Sector erase operation time	t _{ser}		0.7	5	s	1
V _{ccf} setup time	t _{vcs}	50			μs	
RY (/BY) recovery time	t _{rb}	0			ns	
/RESET pulse width	t _{rp}	500			ns	
/RESET high-voltage (V _{id}) hold time from high of RY(/BY) when sector group is temporarily unprotect	t _{rrb}	20			μs	
/RESET hold time	t _{rh}	50			ns	
From completion of automatic program / erase to data output time	t _{oeo}	V _{ccf} ≥ 2.7 V		90	ns	
				85		
RY (/BY) delay time from valid program or erase operation	t _{busy}			90	ns	
Address setup time to /OE low in toggle bit	t _{aso}	15			ns	
Address hold time to /CEf or /OE high in toggle bit	t _{aht}	0			ns	
/CEf pulse width high for toggle bit	t _{ceph}	20			ns	
/OE pulse width high for toggle bit	t _{oeph}	20			ns	
Voltage transition time	t _{vlht}	4			μs	2
Rise time to V _{id} (/RESET)	t _{vidr}	500			ns	3
Rise time to V _{acc} (/WP(ACC))	t _{vaccr}	500			ns	2
Erase timeout time	t _{tow}	50			μs	4
Erase suspend transition time	t _{spd}			20	μs	4

- Notes**
1. The preprogramming time prior to the erase operation is not included.
 2. Sector group protection and accelerated mode only
 3. Sector group protection only.
 4. Table only.

Write operation (Program / Erase) Performance (Flash Memory)

Parameter	Description	MIN.	TYP.	MAX.	Unit
Sector erase time	Excludes programming time prior to erasure		0.7	5	s
Chip erase time	Excludes programming time prior to erasure		50		s
Byte programming time	Excludes system-level overhead		9	200	μ s
Word programming time	Excludes system-level overhead		11	200	μ s
Chip programming time	Excludes system-level overhead	BYTE mode	40		s
		WORD mode	25		
Accelerated programming time	Excludes system-level overhead		7	150	μ s
Program / Erase cycle		100,000			cycle

Read Cycle (Mobile Specified RAM)

Parameter	Symbol	MC-242452-B90		MC-242452-B95		MC-242452-B10		Unit	Note
		MIN.	MAX.	MIN.	MAX.	MIN.	MAX.		
Read cycle time	t _{RC}	80	10,000	90	10,000	110	10,000	ns	1
Identical address read cycle time	t _{RC1}	80	10,000	90	10,000	110	10,000	ns	2
Address skew time	t _{SKEW}		10		15		20	ns	3
/CEm pulse width	t _{CP}	10		10		10		ns	
Address access time	t _{AA}		80		90		100	ns	4
/CEm access time	t _{ACS}		80		90		100	ns	
/OE to output valid	t _{OE}		35		40		50	ns	5
/LB, /UB to output valid	t _{BA}		35		40		50	ns	
Output hold from address change	t _{OH}	10		10		10		ns	
/CEm to output in low impedance	t _{CLZ}	10		10		10		ns	
/OE to output in low impedance	t _{OLZ}	5		5		5		ns	
/LB, /UB to output in low impedance	t _{BLZ}	5		5		5		ns	
/CEm to output in high impedance	t _{CHZ}		25		25		25	ns	
/OE to output in high impedance	t _{OHZ}		25		25		25	ns	
/LB, /UB to output in high impedance	t _{BHZ}		25		25		25	ns	

Notes 1. One read cycle (t_{RC}) must satisfy the minimum value (t_{RC(MIN.)}) and maximum value (t_{RC(MAX.)} = 10 μs). t_{RC} indicates the time from the /CEm low level input point or address determination point, whichever is later, to the /CEm high level input point or the next address change start point, whichever is earlier. As a result, there are the following four conditions for t_{RC}.

- 1) Time from address determination point to /CEm high level input point (address access)
 - 2) Time from address determination point to next address change start point (address access)
 - 3) Time from /CEm low level input point to next address change start point (/CEm access)
 - 4) Time from /CEm low level input point to /CEm high level input point (/CEm access)
- 2.** The identical address read cycle time (t_{RC1}) is the cycle time of one read operation when performing continuous read operations toggling /OE, /LB, and /UB with the address fixed and /CEm low level. Perform settings so that the sum (t_{RC}) of the identical address read cycle times (t_{RC1}) is 10 μs or less.
- 3.** t_{SKEW} indicates the following three types of time depending on the condition.
- 1) When switching /CEm from high level to low level, t_{SKEW} is the time from the /CEm low level input point until the next address is determined.
 - 2) When switching /CEm from low level to high level, t_{SKEW} is the time from the address change start point to the /CEm high level input point.
 - 3) When /CEm is fixed to low level, t_{SKEW} is the time from the address change start point until the next address is determined.

Since specs are defined for t_{SKEW} only when /CEm is active, t_{SKEW} is not subject to limitations when /CEm is switched from high level to low level following address determination, or when the address is changed after /CEm is switched from low level to high level.

- 4.** Regarding t_{AA} and t_{ACS}, only t_{AA} is satisfied during address access (refer to 1) and 2) of **Note 1**), and only t_{ACS} is satisfied during /CEm access (refer to 3) of **Note 1**).
- 5.** Regarding t_{BA} and t_{OE}, only t_{BA} is satisfied if /OE becomes active later than /UB and /LB, and only t_{OE} is satisfied if /UB and /LB become active before /OE.

Write Cycle (Mobile Specified RAM)

Parameter	Symbol	MC-242452-B90		MC-242452-B95		MC-242452-B10		Unit	Note
		MIN.	MAX.	MIN.	MAX.	MIN.	MAX.		
Write cycle time	t _{WC}	80	10,000	90	10,000	110	10,000	ns	1
Identical address write cycle time	t _{WC1}	80	10,000	90	10,000	110	10,000	ns	2
Address skew time	t _{SKEW}		10		15		20	ns	3
/CEm to end of write	t _{CW}	40		50		60		ns	4
/LB, /UB to end of write	t _{BW}	30		35		40		ns	
Address valid to end of write	t _{AW}	35		45		55		ns	
Write pulse width	t _{WP}	30		35		40		ns	
Write recovery time	t _{WR}	20		20		20		ns	5
/CEm pulse width	t _{CP}	10		10		10		ns	
Address setup time	t _{AS}	0		0		0		ns	
Byte write hold time	t _{BWH}	20		20		20		ns	
Data valid to end of write	t _{DW}	20		25		30		ns	
Data hold time	t _{DH}	0		0		0		ns	
/OE to output in low impedance	t _{OLZ}	5		5		5		ns	
/WE to output in high impedance	t _{WHZ}		25		25		25	ns	
/OE to output in high impedance	t _{OHZ}		25		25		25	ns	
Output active from end of write	t _{OW}	5		5		5		ns	

Notes 1. One write cycle (t_{WC}) must satisfy the minimum value (t_{WC(MIN.)}) and the maximum value (t_{WC(MAX.)} = 10 μs).

t_{WC} indicates the time from the /CEm low level input point or address determination point, whichever is after, to the /CEm high level input point or the next address change start point, whichever is earlier. As a result, there are the following four conditions for t_{WC}.

- 1) Time from address determination point to /CEm high level input point
 - 2) Time from address determination point to next address change start point
 - 3) Time from /CEm low level input point to next address change start point
 - 4) Time from /CEm low level input point to /CEm high level input point
- 2.** The identical address read cycle time (t_{WC1}) is the cycle time of one write cycle when performing continuous write operations with the address fixed and /CEm low level, changing /LB and /UB at the same time, and toggling /WE, as well as when performing a continuous write toggling /LB and /UB. Make settings so that the sum (t_{WC}) of the identical address write cycle times (t_{WC1}) is 10 μs or less.
- 3.** t_{SKEW} indicates the following three types of time depending on the condition.
- 1) When switching /CEm from high level to low level, t_{SKEW} is the time from the /CEm low level input point until the next address is determined.
 - 2) When switching /CEm from low level to high level, t_{SKEW} is the time from the address change start point to the /CEm high level input point.
 - 3) When /CEm is fixed to low level, t_{SKEW} is the time from the address change start point until the next address is determined.

Since specs are defined for t_{SKEW} only when /CEm is active, t_{SKEW} is not subject to limitations when /CEm is switched from high level to low level following address determination, or when the address is changed after /CEm is switched from low level to high level.

4. Definition of write start and write end

	/CEm	/WE	/LB, /UB	Status
Write start pattern 1	H to L	L	L	If /WE, /LB, /UB are low level, time when /CEm changes from high level to low level
Write start pattern 2	L	H to L	L	If /CEm, /LB, /UB are low level, time when /WE changes from high level to low level
Write start pattern 3	L	L	H to L	If /CEm, /WE are low level, time when /LB or /UB changes from high level to low level
Write end pattern 1	L	L to H	L	If /CEm, /WE, /LB, /UB are low level, time when /WE changes from low level to high level
Write end pattern 2	L	L	L to H	When /CEm, /WE, /LB, /UB are low level, time when /LB or /UB changes from low level to high level

5. Definition of write end recovery time (t_{WR})

- 1) Time from write end to address change start point, or from write end to /CEm high level input point
- 2) When /CEm, /LB, /UB are low level and continuously written to the identical address, time from /WE high level input point to /WE low level input point
- 3) When /CEm, /WE are low level and continuously written to the identical address, time from /LB or /UB high level input point, whichever is later, to /LB or /UB low level input point, whichever is earlier.
- 4) When /CEm is low level and continuously written to the identical address, time from write end to point at which /WE, /LB, or /UB starts to change from high level to low level, whichever is earliest.

Read Write Cycle (Mobile Specified RAM)

Parameter	Symbol	MC-242452-B90		MC-242452-B95		MC-242452-B10		Unit	Note
		MIN.	MAX.	MIN.	MAX.	MIN.	MAX.		
Read write cycle time	t_{RWC}		10,000		10,000		10,000	ns	1, 2
Byte write setup time	t_{BWS}	20		20		20		ns	
Byte read setup time	t_{BRS}	20		20		20		ns	

- Notes**
1. Make settings so that the sum (t_{RWC}) of the identical address read cycle time (t_{RC1}) and the identical address write cycle time (t_{WC1}) is 10 μ s or less when a write is performed at the identical address using /UB following a read using /LB with /CEm low level, or when a write is performed using /LB following a read using /UB.
 2. Make settings so that the sum (t_{RWC}) of the identical address read cycle time (t_{RC1}) and the identical address write cycle time (t_{WC1}) is 10 μ s or less when a read is performed at the identical address using /UB following a write using /LB with /CEm low level, or when a read is performed using /LB following a write using /UB.

Figure 1. Alternating Mobile Specified RAM to Flash Memory Timing Chart

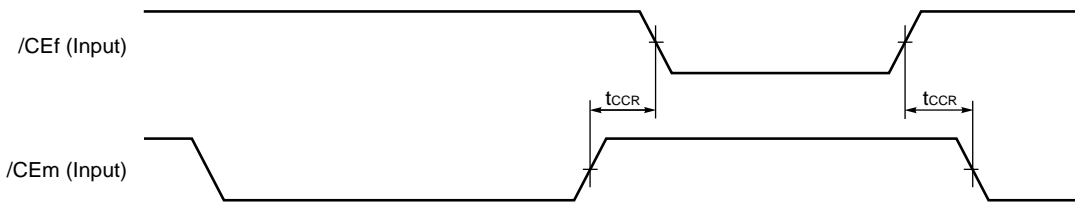


Figure 2. Read Cycle Timing Chart 1 (Flash Memory)

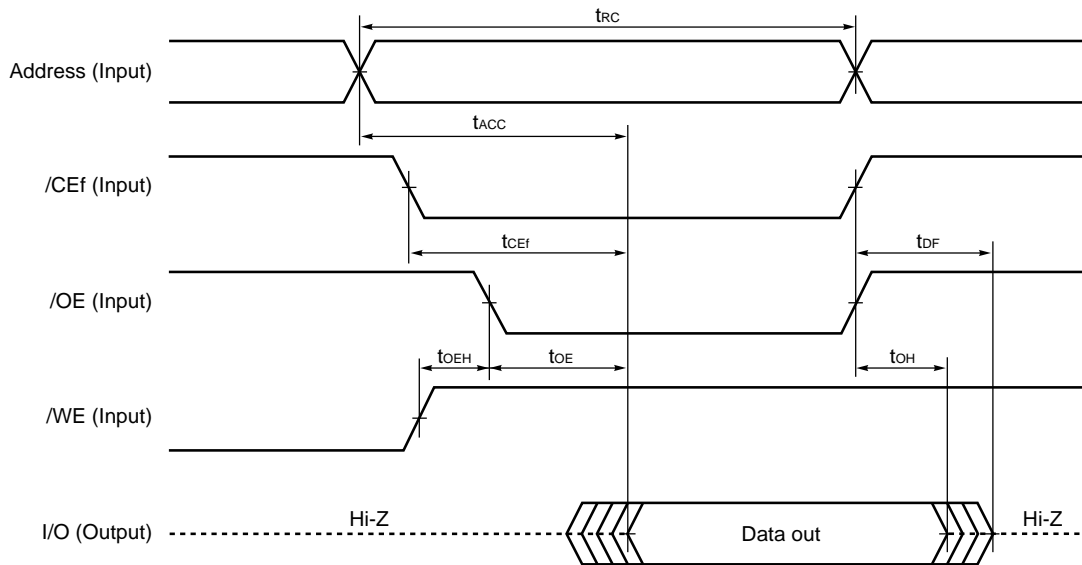


Figure 3. Read Cycle Timing Chart 2 (Flash Memory)

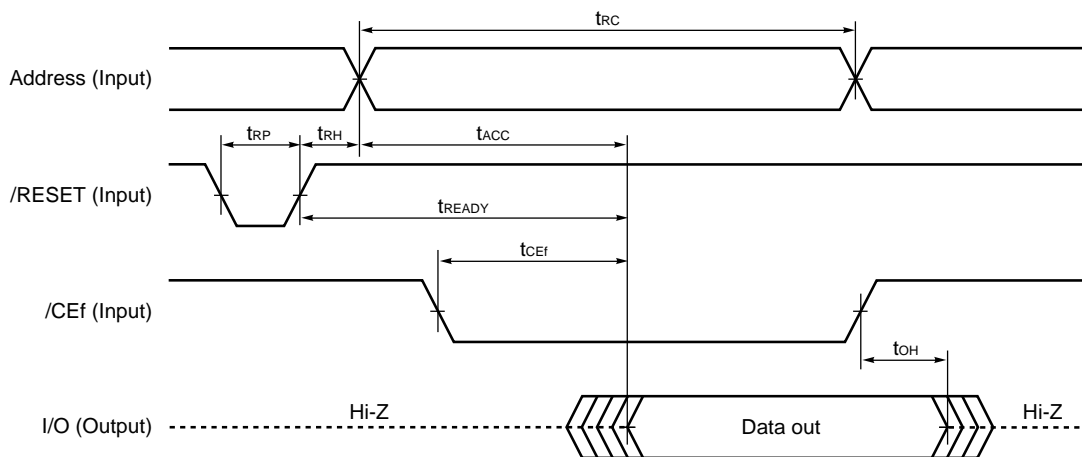
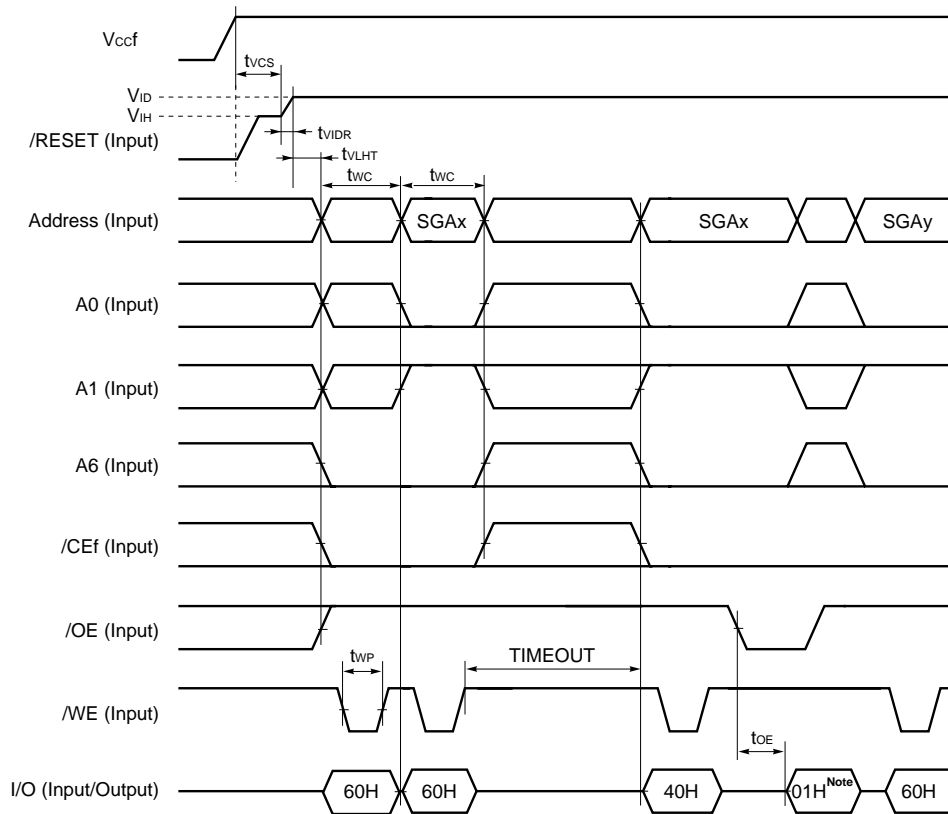


Figure 4. Sector Group Protection Timing Chart (Flash Memory)



Note The sector group protection verification result is output.

01H : The sector group is protected.

00H : The sector group is not protected.

Figure 5. Temporary Sector Group Unprotect Timing Chart (Flash Memory)

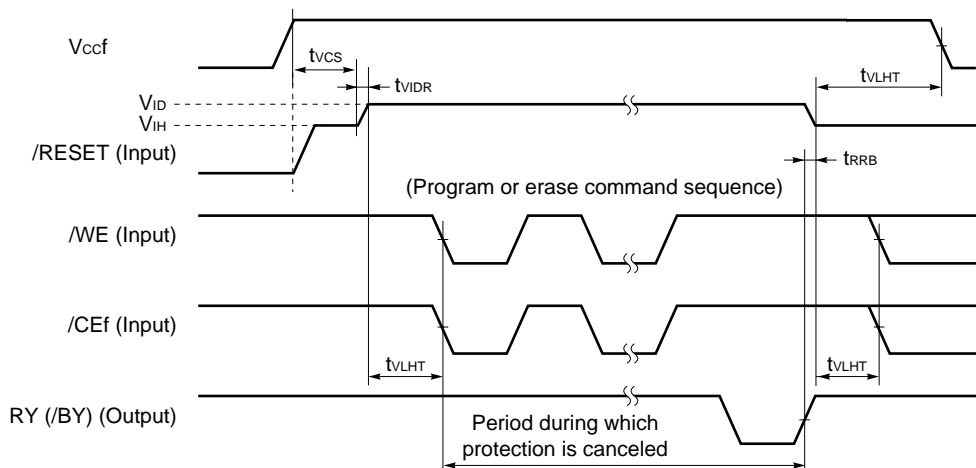


Figure 6. Accelerated Mode Timing Chart (Flash Memory)

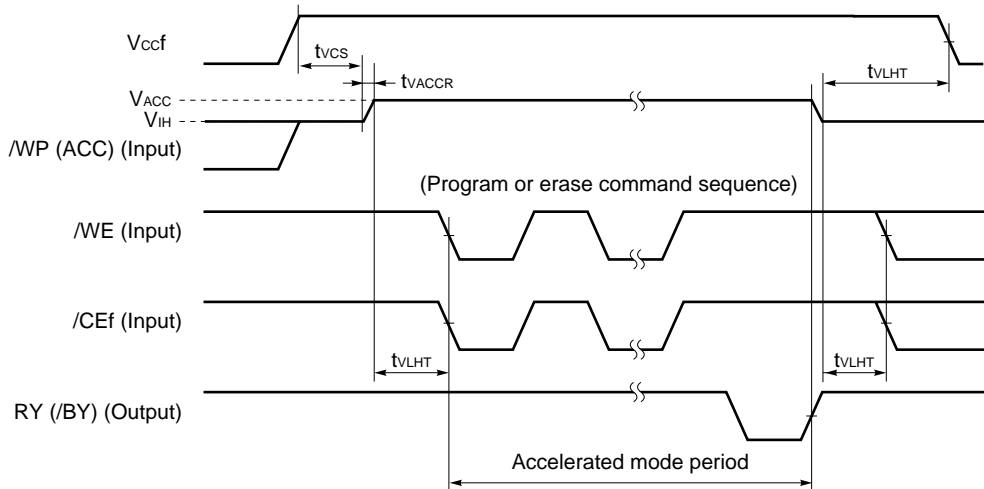


Figure 7. Dual Operation Timing Chart (Flash Memory)

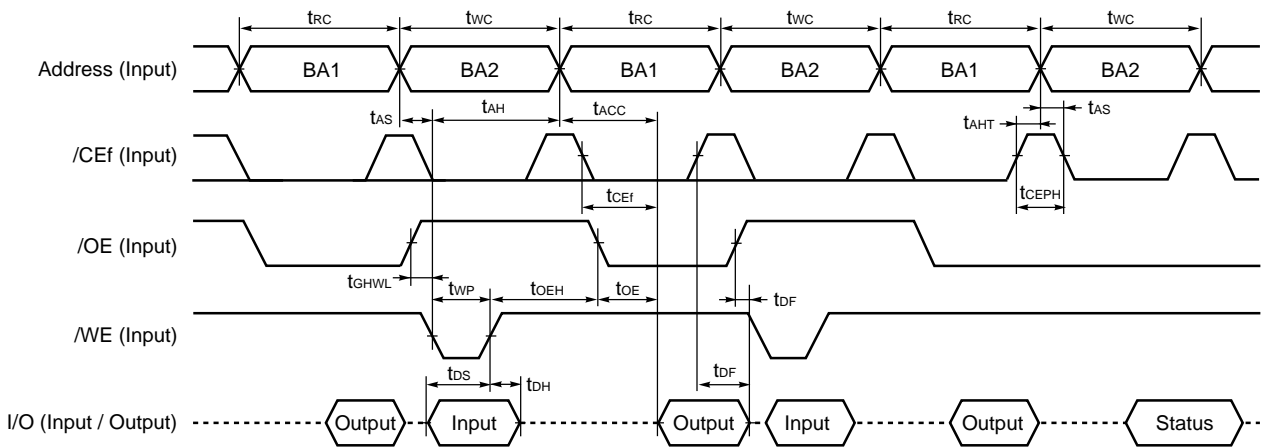
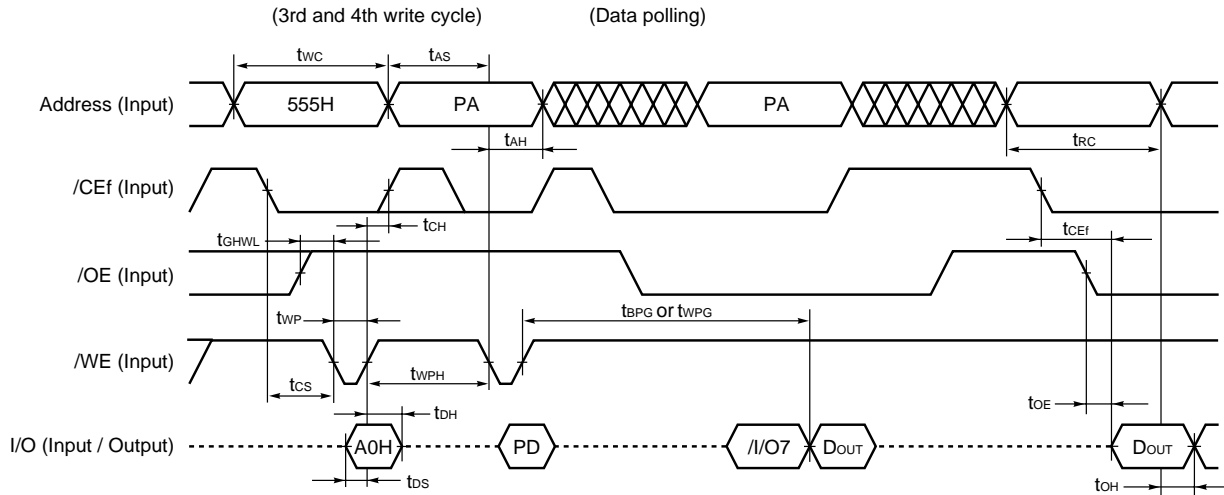
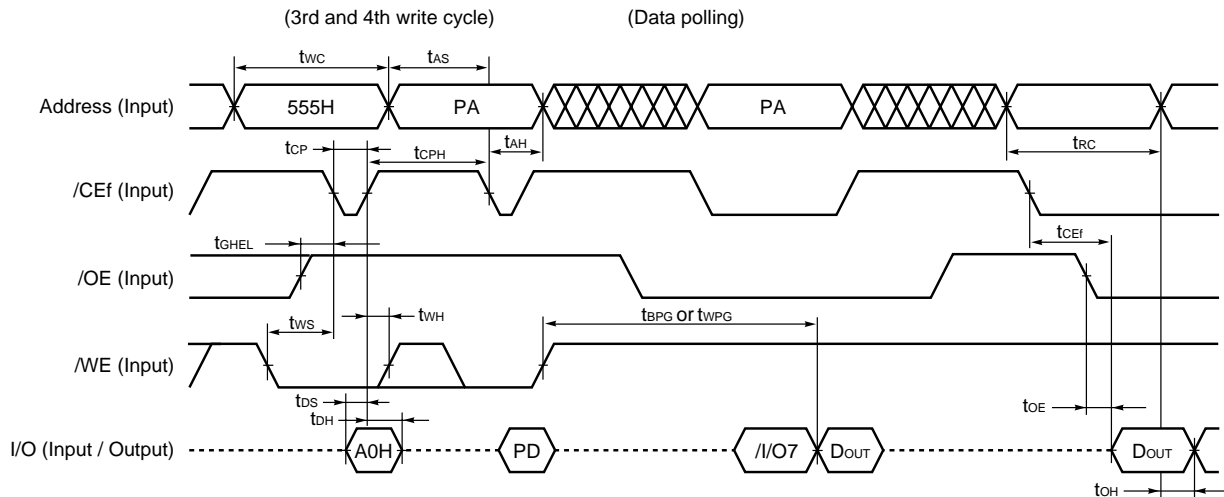


Figure 8. Write Cycle Timing Chart (/WE Controlled) (Flash Memory)



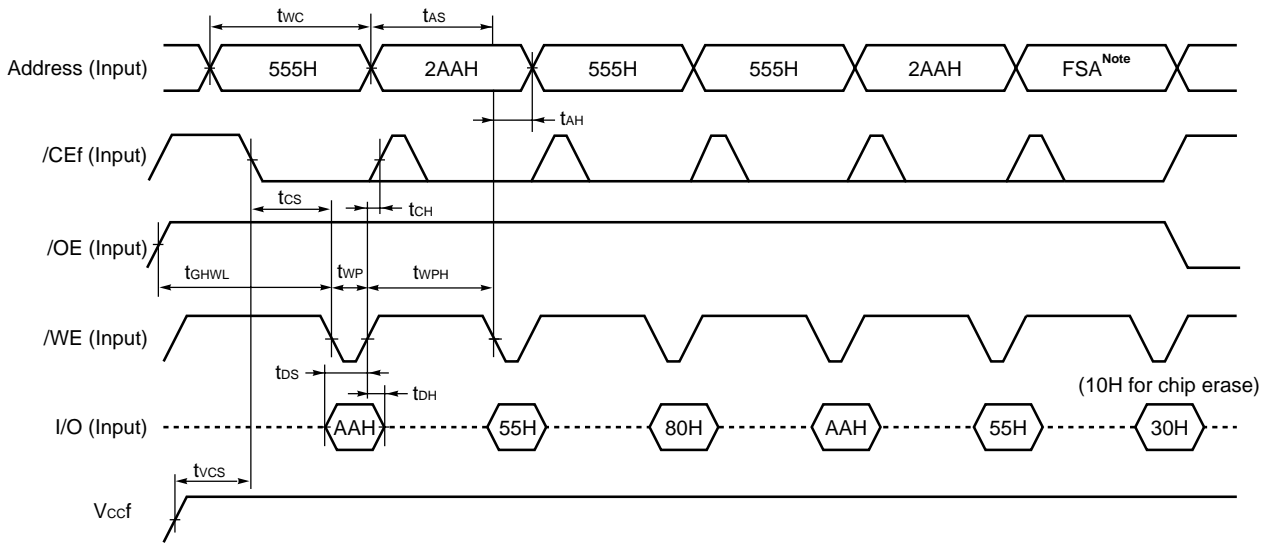
- Remarks 1.** This timing chart shows the last two write cycles among the program command sequence's four write cycles, and data polling.
- 2.** This timing chart shows the WORD mode's case. In the BYTE mode, address to be input are different from the WORD mode. See **Command Sequence (Flash Memory)**.
- 3.** PA : Program address
 PD : Program data
 /I/O7 : The output of the complement of the data written to the device.
 DOUT : The output of the data written to the device.

Figure 9. Write Cycle Timing Chart (/CEf Controlled) (Flash Memory)



- Remarks 1.** This timing chart shows the last two write cycles among the program command sequence's four write cycles, and data polling.
- 2.** This timing chart shows the WORD mode's case. In the BYTE mode, address to be input are different from the WORD mode. See **Command Sequence (Flash Memory)**.
- 3.** PA : Program address
 PD : Program data
 /I/O7 : The output of the complement of the data written to the device.
 DOUT : The output of the data written to the device.

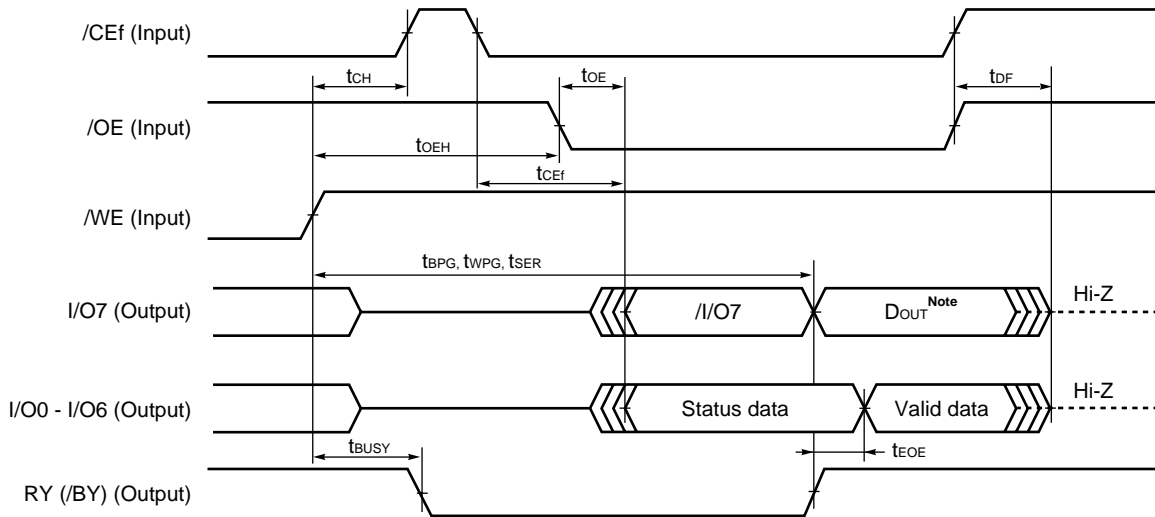
Figure 10. Sector / Chip Erase Timing Chart (Flash Memory)



Note FSA is the sector address to be erased. In the case of chip erase, input 555H (WORD mode), AAH (BYTE mode).

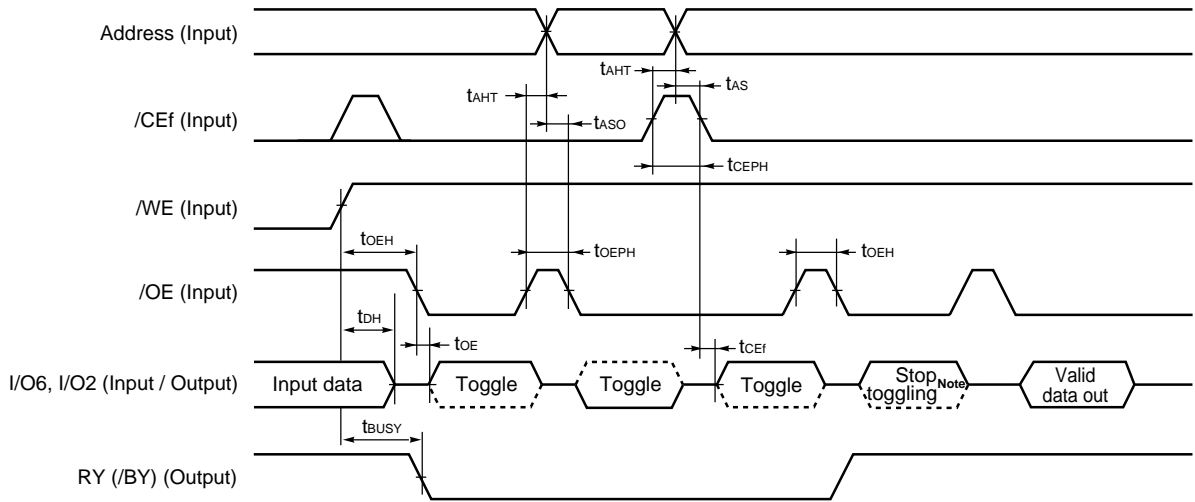
Remark This timing chart shows the WORD mode's case. In the BYTE mode, address to be input are different from the WORD mode. See **Command Sequence (Flash Memory)**.

Figure 11. Data Polling Timing Chart (Flash Memory)



Note I/O7 = DOUT : True value of program data (indicates completion of automatic program / erase)

Figure 12. Toggle Bit Timing Chart (Flash Memory)



Note I/O6 stops the toggle (indicates automatic program / erase completion).

Figure 13. I/O2 vs. I/O6 Timing Chart (Flash Memory)

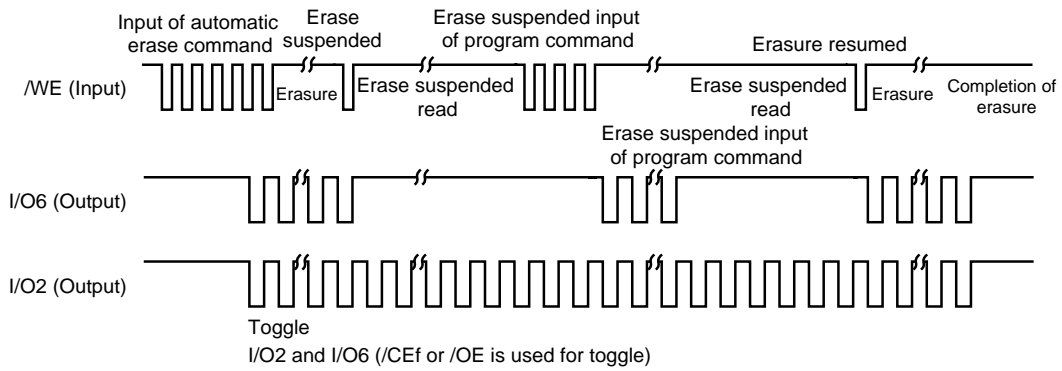


Figure 14. RY (/BY) (Ready / Busy) Timing Chart (Flash Memory)

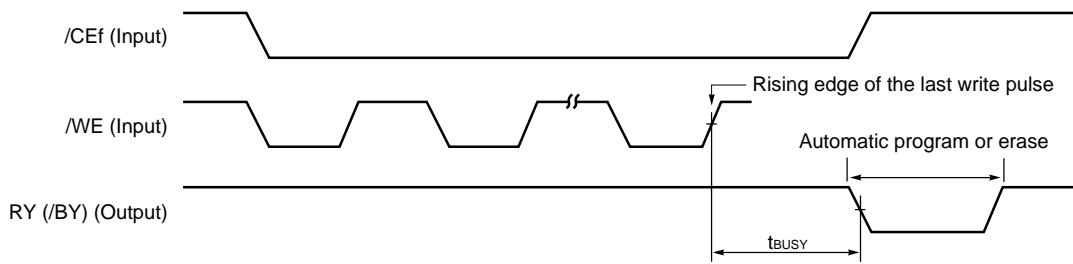


Figure 15. /RESET and RY (/BY) Timing Chart (Flash Memory)

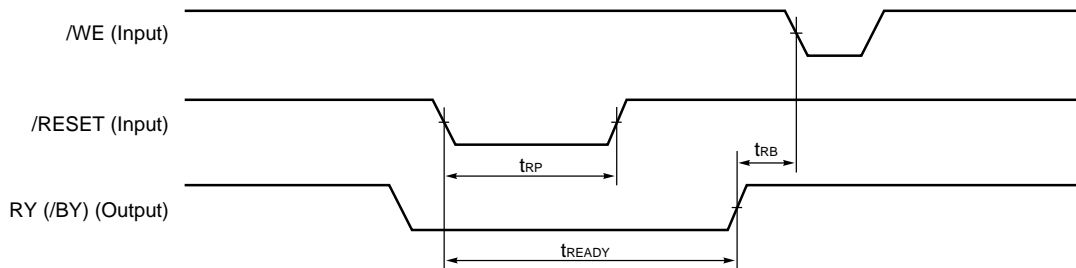


Figure 16. Write CIOf Timing Chart (Flash Memory)

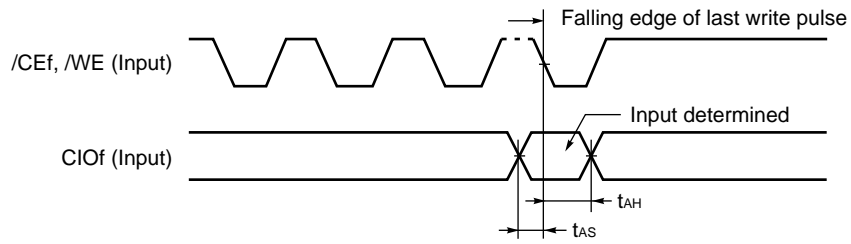


Figure 17. BYTE mode Switching Timing Chart (Flash Memory)

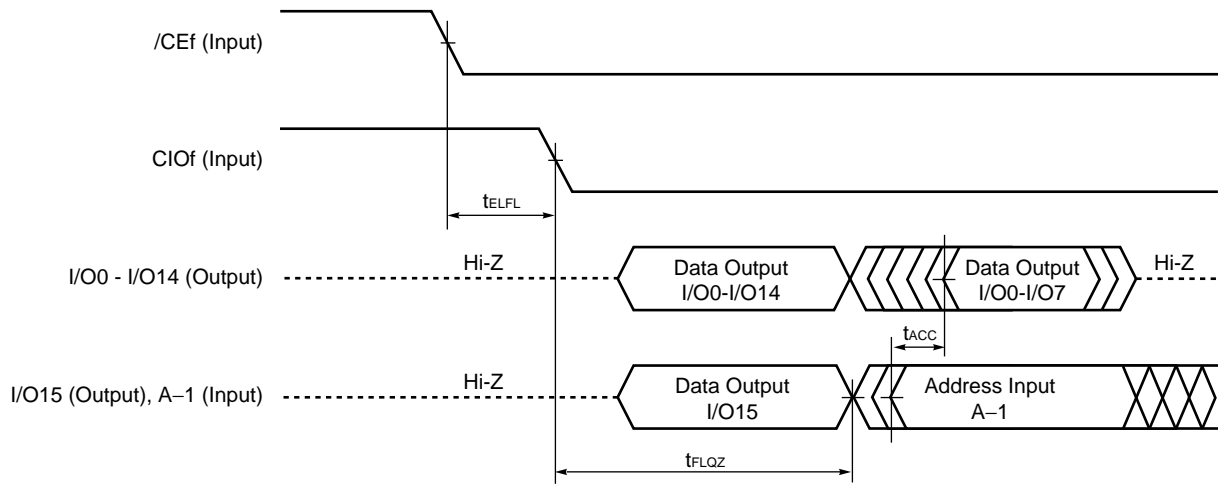


Figure 18. WORD mode Switching Timing Chart (Flash Memory)

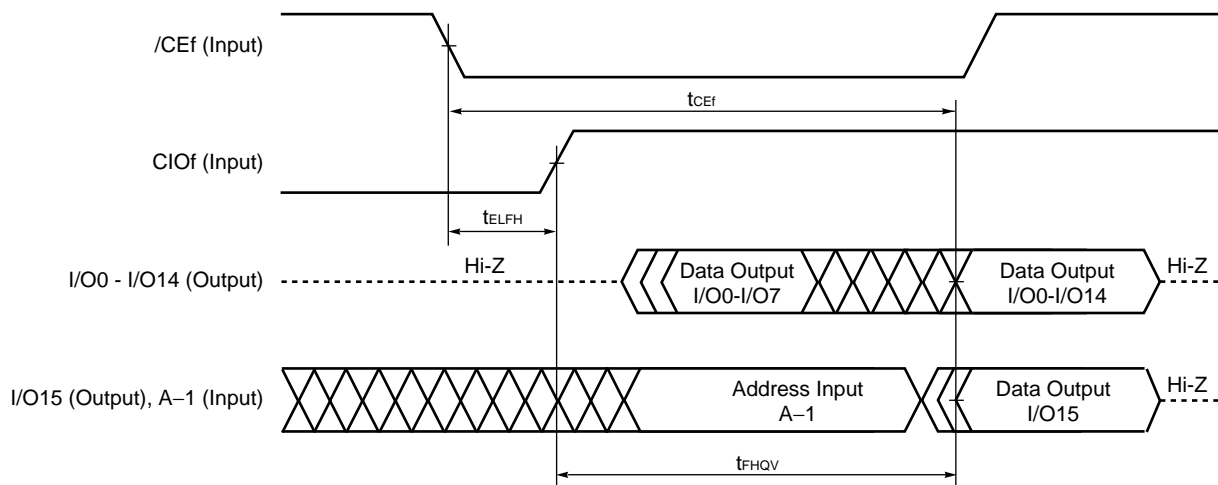
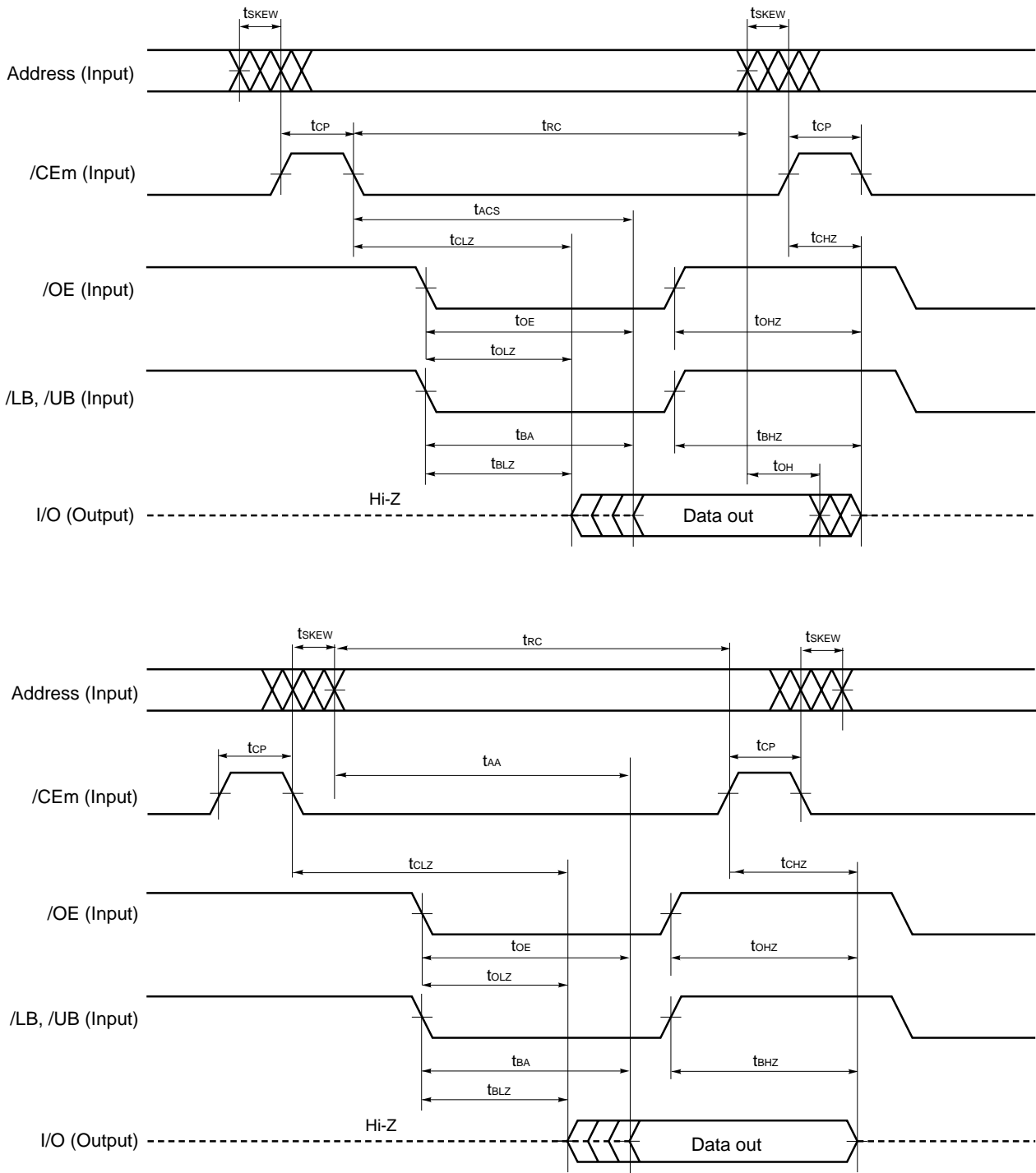


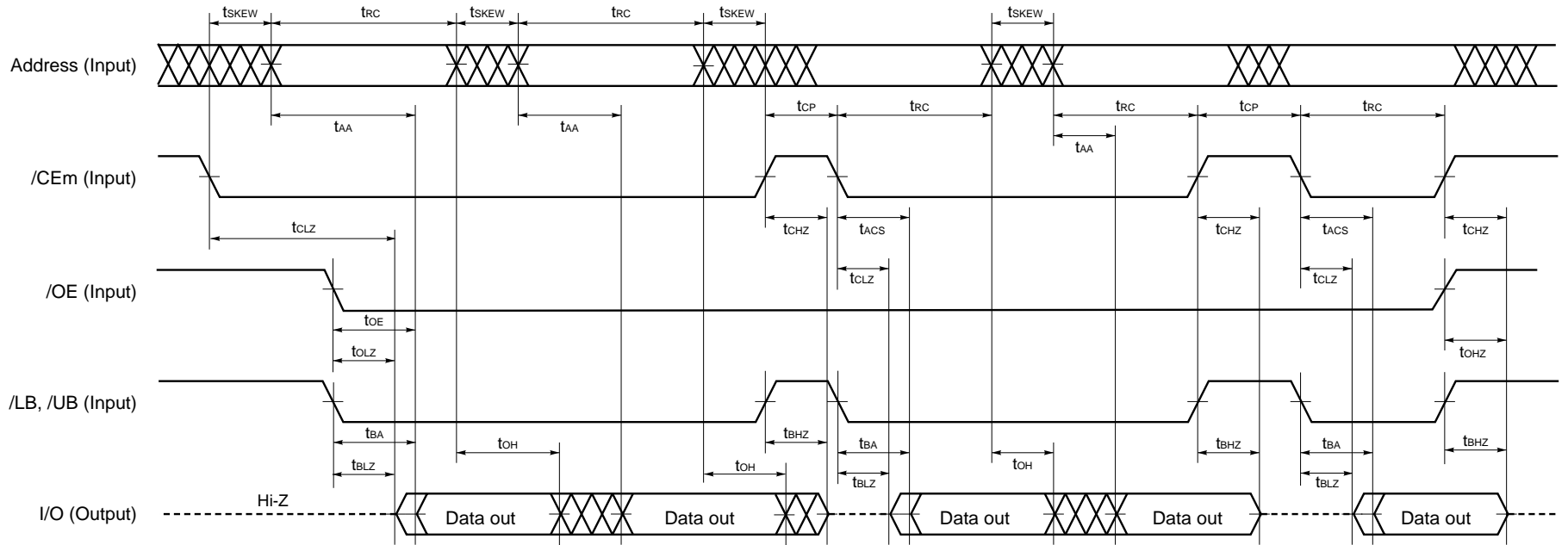
Figure 19. Read Cycle Timing Chart 1 (Mobile Specified RAM)



Caution If the address is changed using a value that is either lower than the minimum value or higher than the maximum value for the read cycle time (t_{RC}), none of the data can be guaranteed.

Remark In read cycle, /WE should be fixed to High.

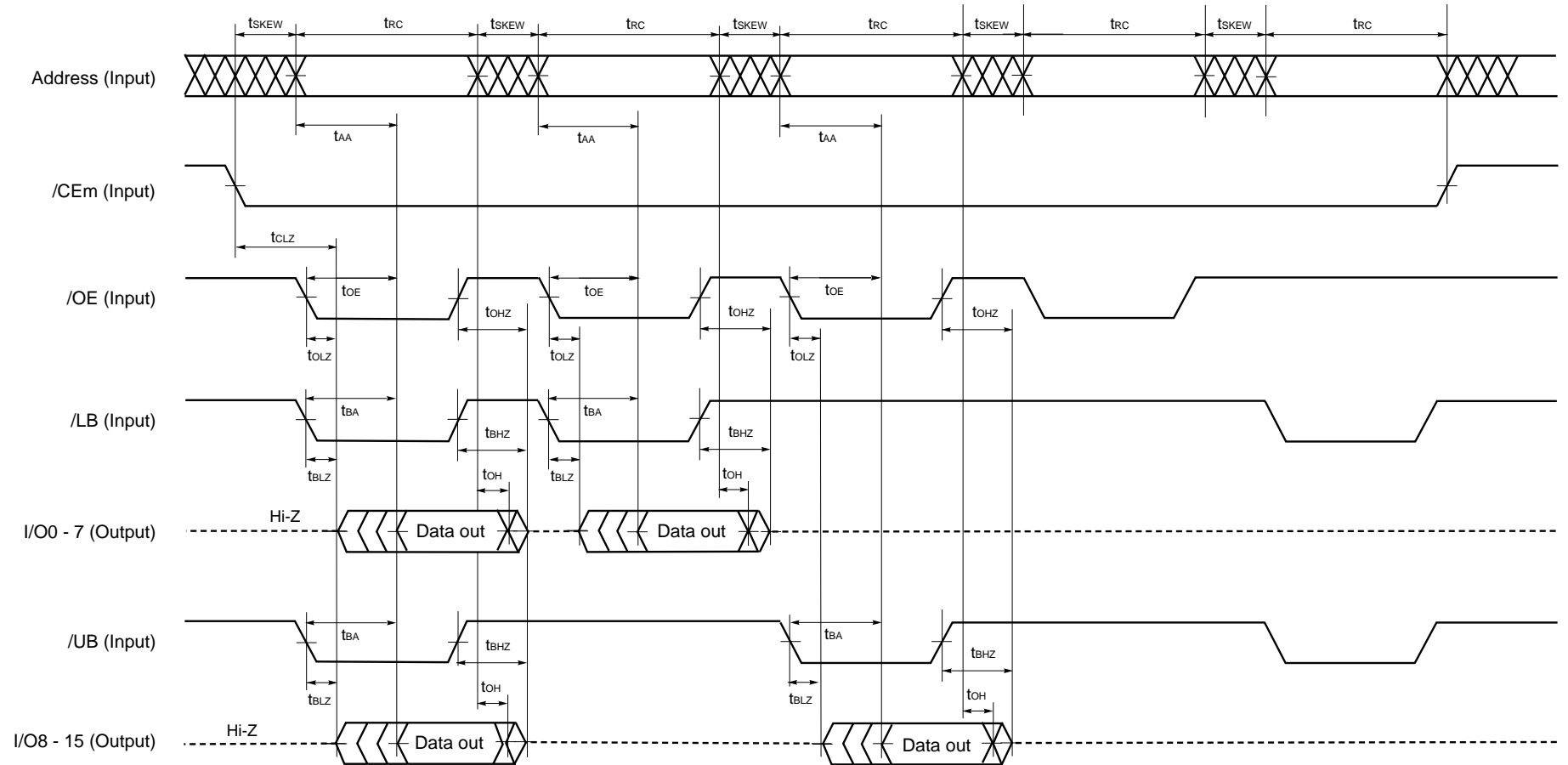
Figure 20. Read Cycle Timing Chart 2 (Mobile specified RAM)



Caution If the address is changed using a value that is either lower than the minimum value or higher than the maximum value for the read cycle time (t_{rc}), none of the data can be guaranteed.

Remark In read cycle, /WE should be fixed to High.

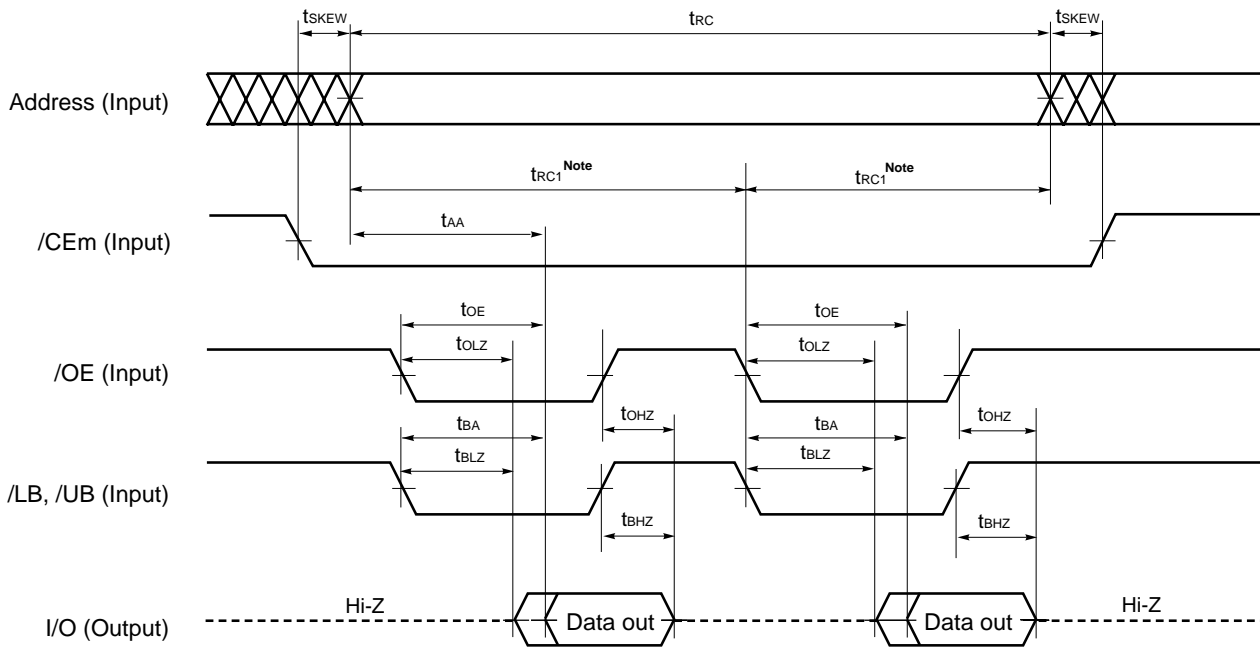
Figure 21. Read Cycle Timing Chart 3 (Mobile specified RAM)



Caution If the address is changed using a value that is either lower than the minimum value or higher than the maximum value for the read cycle time (t_{RC}), none of the data can be guaranteed.

Remark In read cycle, /WE should be fixed to High.

Figure 22. Read Cycle Timing Chart 4 (Mobile Specified RAM)

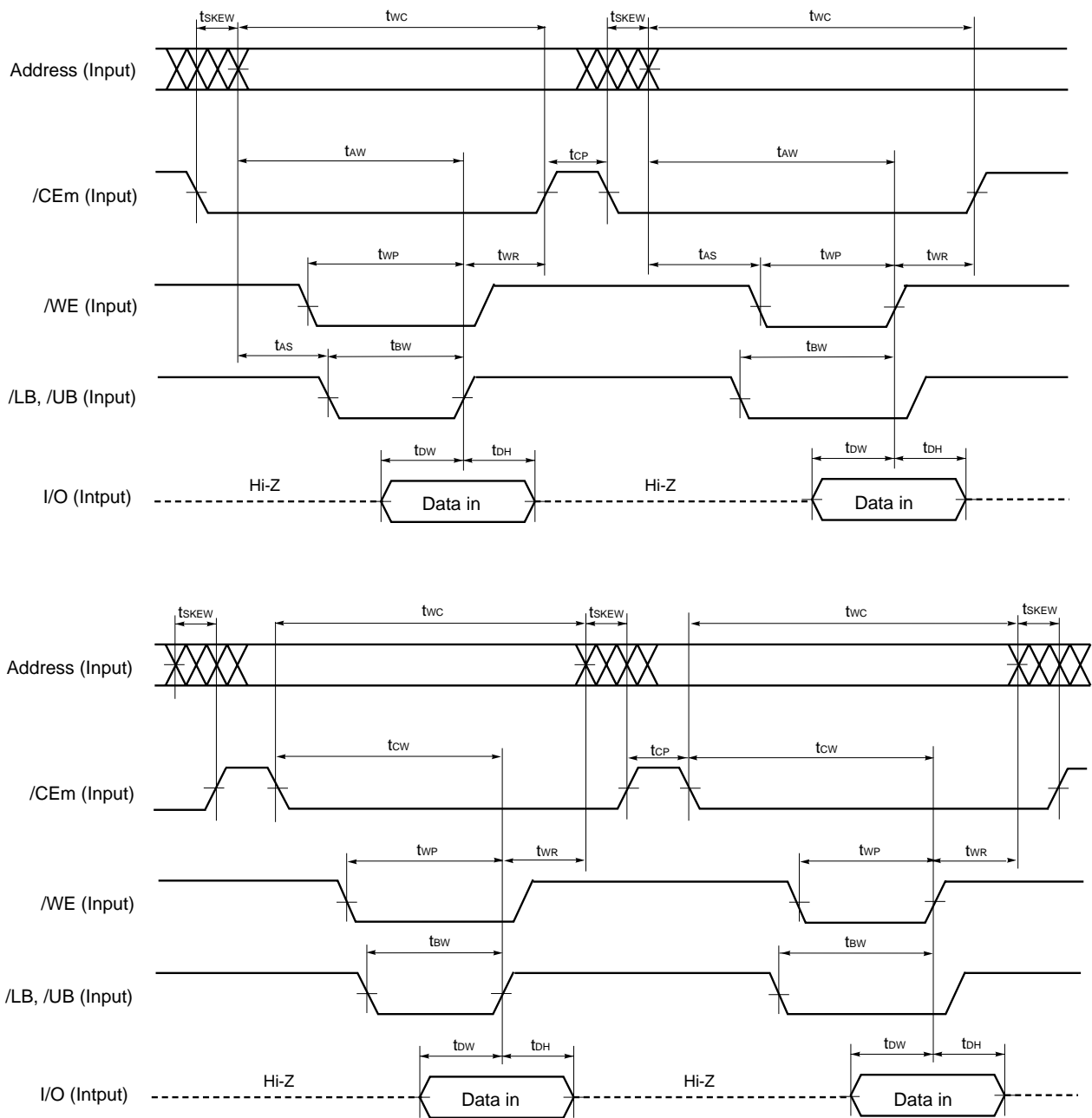


Caution If the address is changed using a value that is either lower than the minimum value or higher than the maximum value for the read cycle time (t_{RC}), none of the data can be guaranteed.

Note To perform a continuous read toggling $/OE$, $/UB$, and $/LB$ with $/CEm$ low level at an identical address, make settings so that the sum (t_{RC}) of the identical address read cycle times (t_{RC1}) is 10 μs or less.

Remark In read cycle, $/WE$ should be fixed to High.

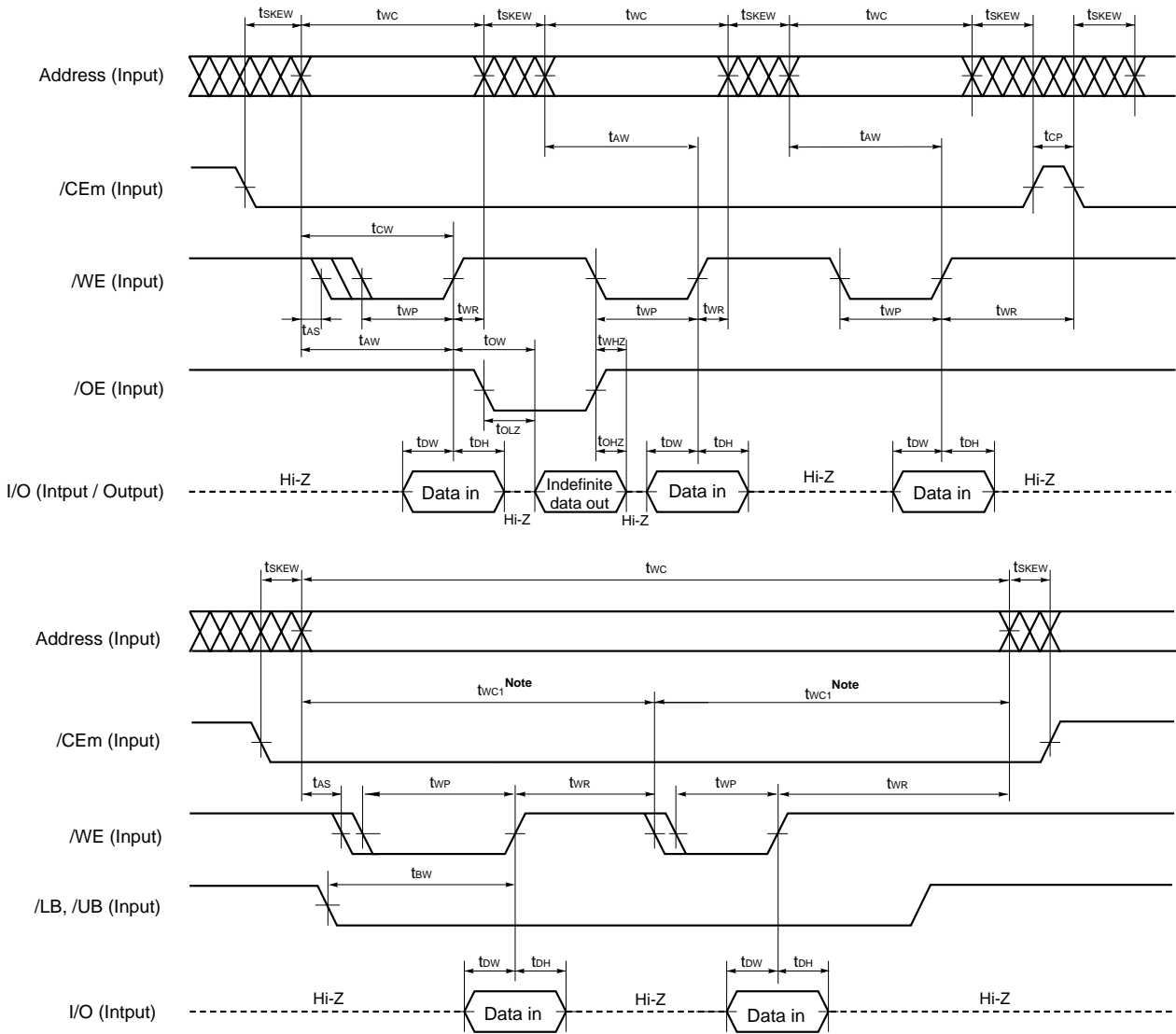
Figure 23. Write Cycle Timing Chart 1 (Mobile Specified RAM)



- Cautions**
1. During address transition, at least one of pins /CEm, /WE should be inactivated.
 2. Do not input data to the I/O pins while they are in the output state.
 3. If the address is changed using a value that is either lower than the minimum value or higher than the maximum value for the write cycle time (t_{wc}), none of the data can be guaranteed.

Remark Write operation is done during the overlap time of a Low /CEm, /WE, /LB and/or /UB.

Figure 24. Write Cycle Timing Chart 2 (Mobile Specified RAM)

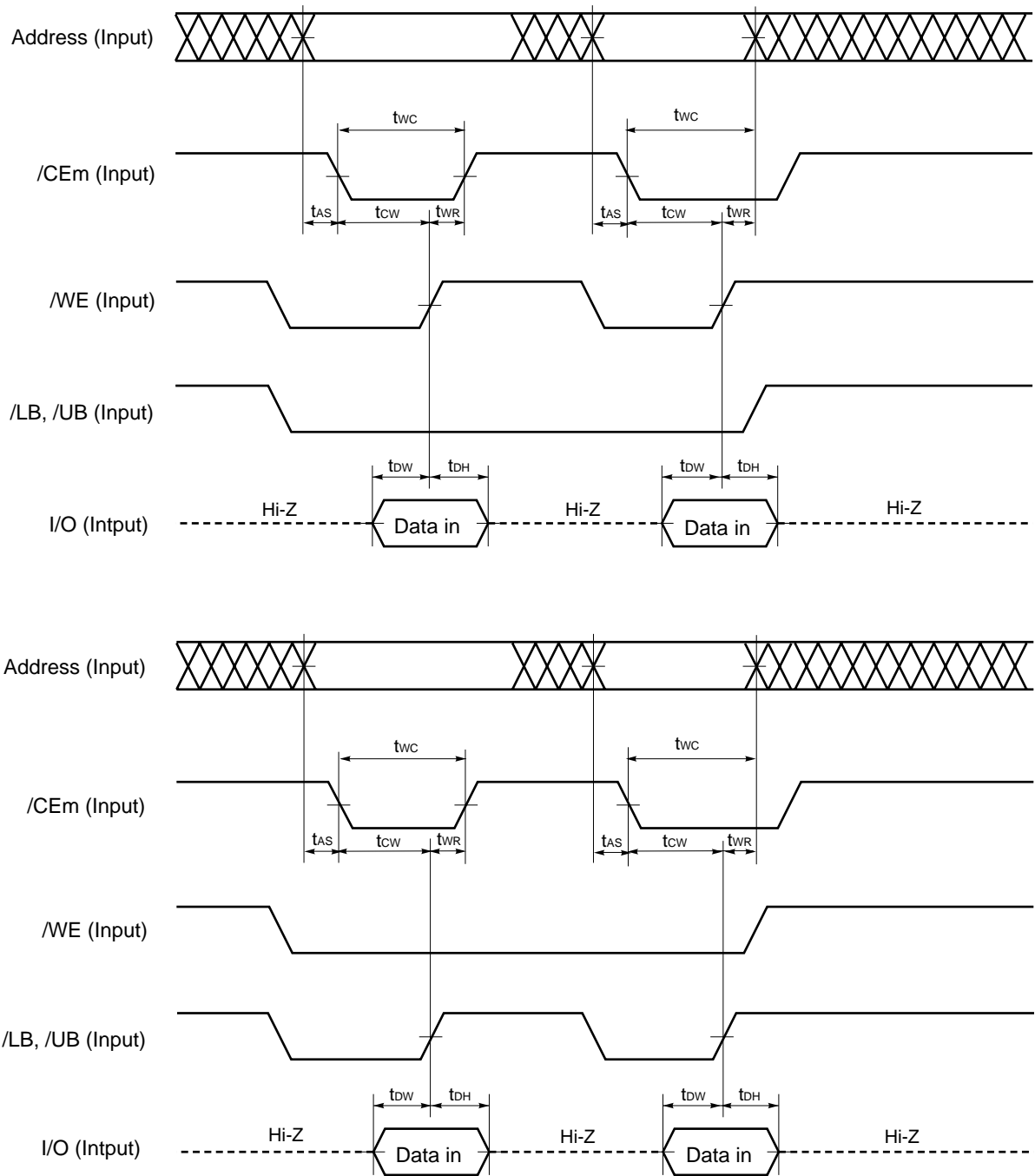


- Cautions**
1. During address transition, at least one of pins $/CEm$, $/WE$ should be inactivated.
 2. Do not input data to the I/O pins while they are in the output state.
 3. If the address is changed using a value that is either lower than the minimum value or higher than the maximum value for the write cycle time (t_{wc}), none of the data can be guaranteed.

Note If $/LB$ and $/UB$ are changed at the same time with $/CEm$ low level and a continuous write operation toggling $/WE$ is performed, make settings so that the sum (t_{wc}) of the identical address write cycle time (t_{wc1}) is $10 \mu s$ or less.

- Remarks**
1. Write operation is done during the overlap time of a Low $/CEm$, $/WE$, $/LB$ and/or $/UB$.
 2. When $/WE$ is at Low, the I/O pins are always high impedance. When $/WE$ is at High, read operation is executed. Therefore $/OE$ should be at High to make the I/O pins high impedance.

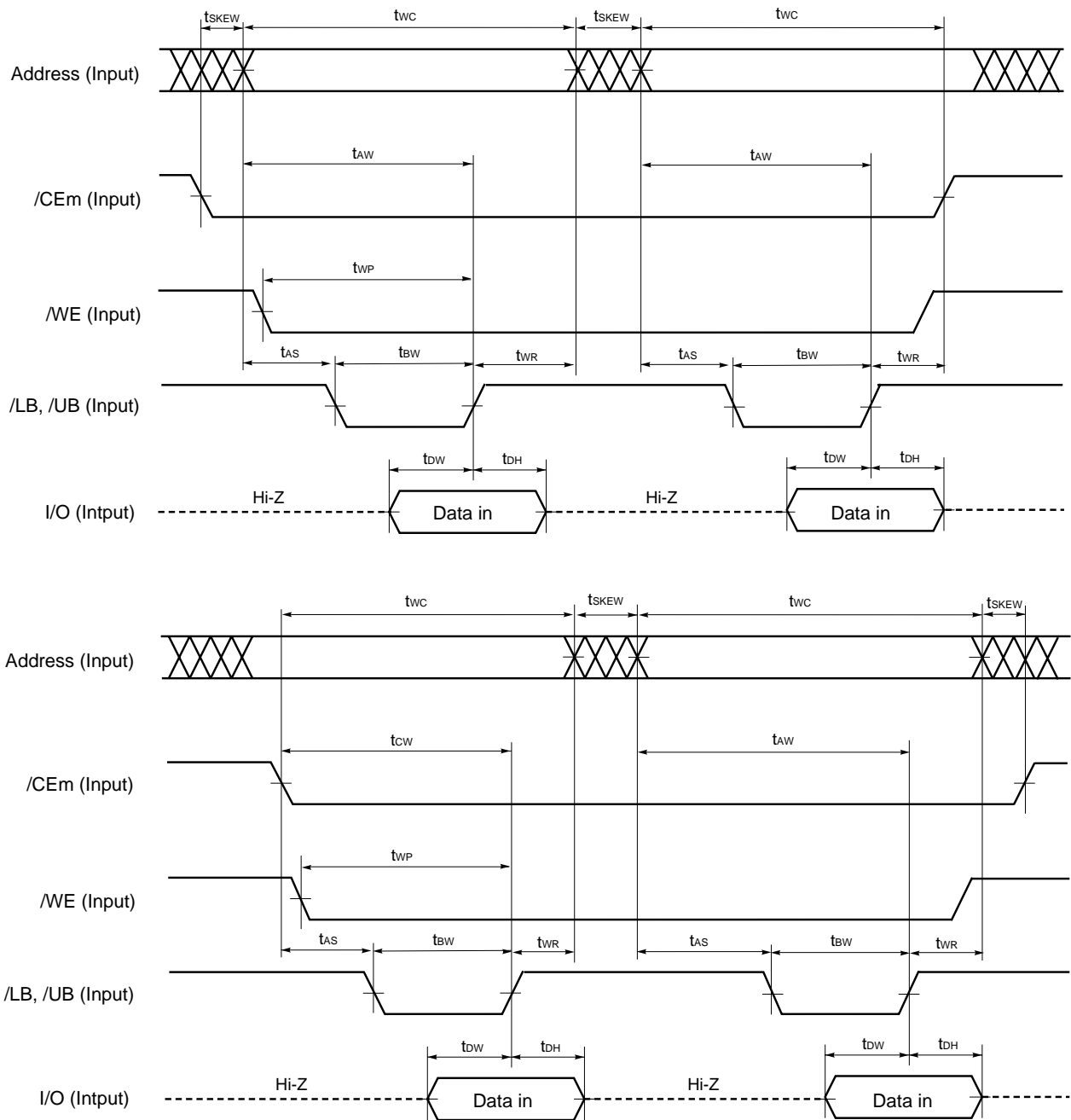
Figure 25. Write Cycle Timing Chart 3 (/CEm Controlled) (Mobile Specified RAM)



- Cautions**
1. During address transition, at least one of pins /CEm, /WE should be inactivated.
 2. Do not input data to the I/O pins while they are in the output state.
 3. If the address is changed using a value that is either lower than the minimum value or higher than the maximum value for the write cycle time (t_{wc}), none of the data can be guaranteed.

Remark Write operation is done during the overlap time of a Low /CEm, /WE, /LB and/or /UB.

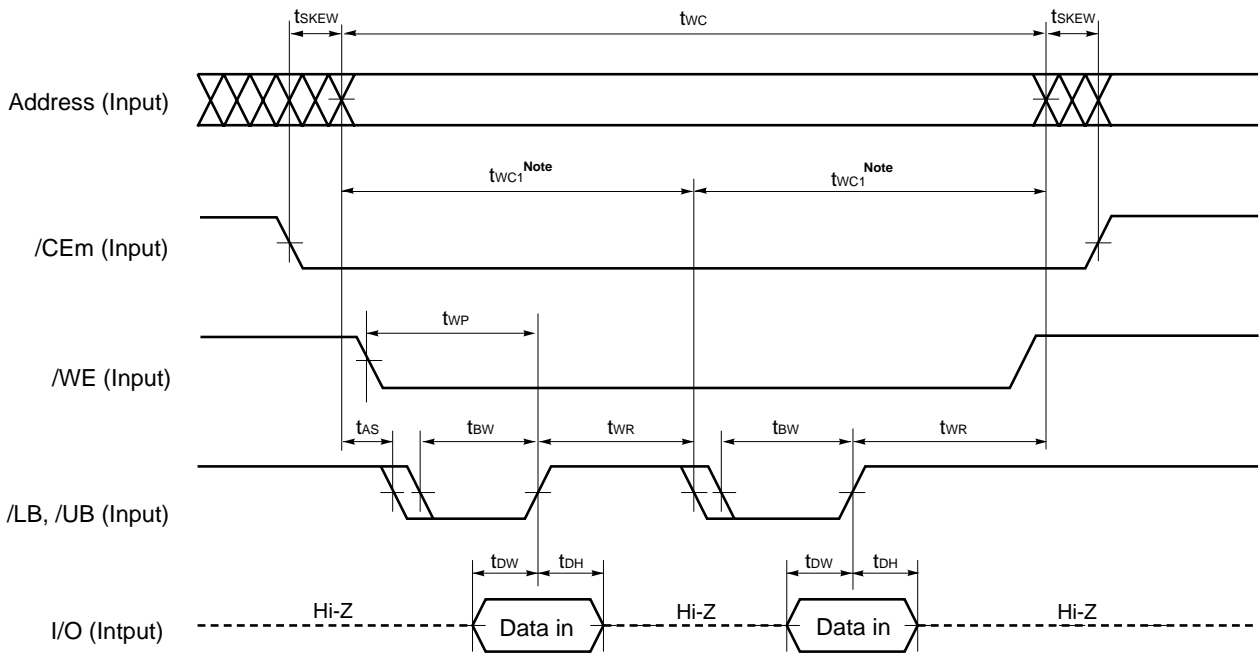
Figure 26. Write Cycle Timing Chart 4 (/LB, /UB Controlled 1) (Mobile Specified RAM)



- Cautions**
1. During address transition, at least one of pins /CEm, /WE should be inactivated.
 2. Do not input data to the I/O pins while they are in the output state.
 3. If the address is changed using a value that is either lower than the minimum value or higher than the maximum value for the write cycle time (twc), none of the data can be guaranteed.

Remark Write operation is done during the overlap time of a Low /CEm, /WE, /LB and/or /UB.

Figure 27. Write Cycle Timing Chart 5 (/LB, /UB Controlled 2) (Mobile Specified RAM)

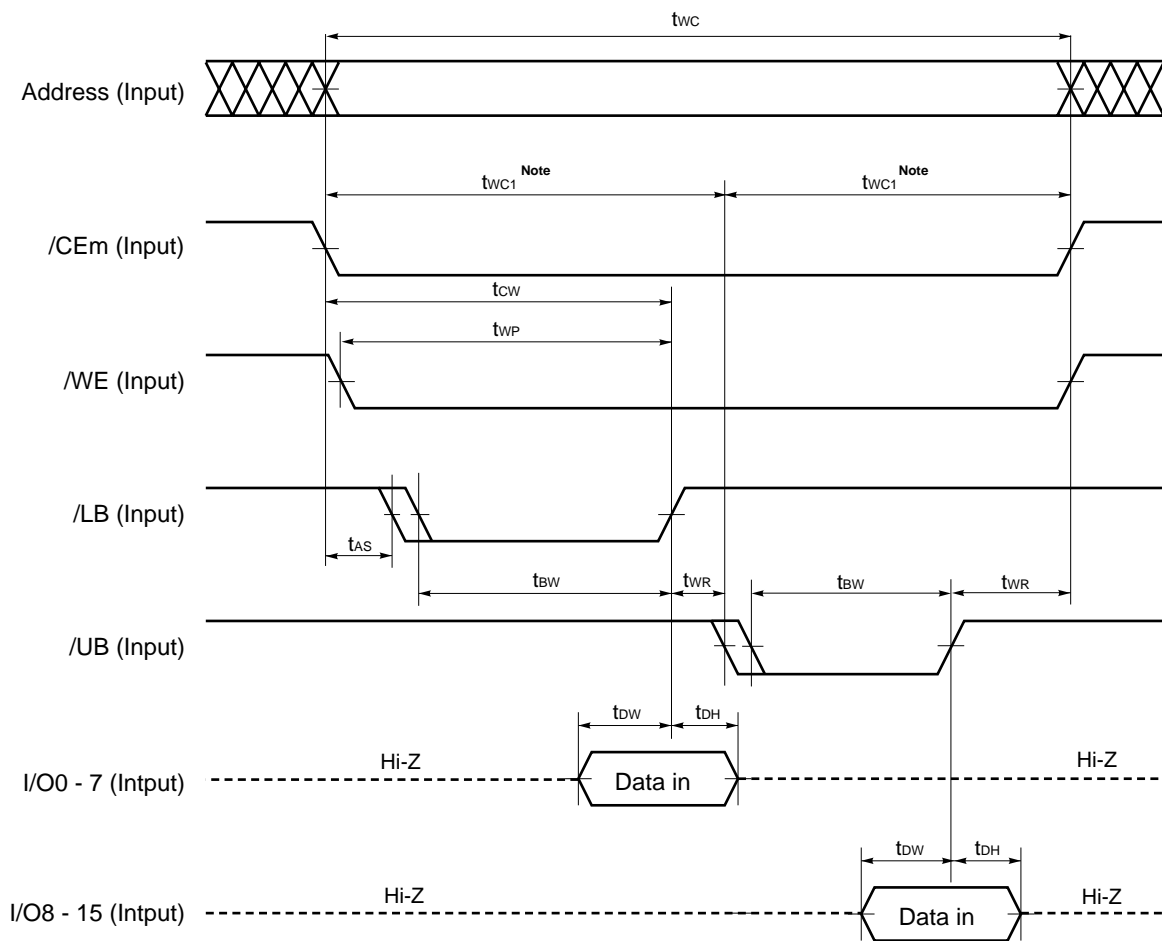


- Cautions**
1. During address transition, at least one of pins /CEm, /WE should be inactivated.
 2. Do not input data to the I/O pins while they are in the output state.
 3. If the address is changed using a value that is either lower than the minimum value or higher than the maximum value for the write cycle time (t_{WC}), none of the data can be guaranteed.

Note If /LB and /UB are changed at the same time with /CEm low level and a continuous write operation toggling /WE is performed, make settings so that the sum (t_{WC}) of the identical address write cycle time (t_{WC1}) is 10 μs or less.

Remark Write operation is done during the overlap time of a Low /CEm, /WE, /LB and/or /UB.

Figure 28. Write Cycle Timing Chart 6 (/LB, /UB Independent Controlled 1) (Mobile Specified RAM)

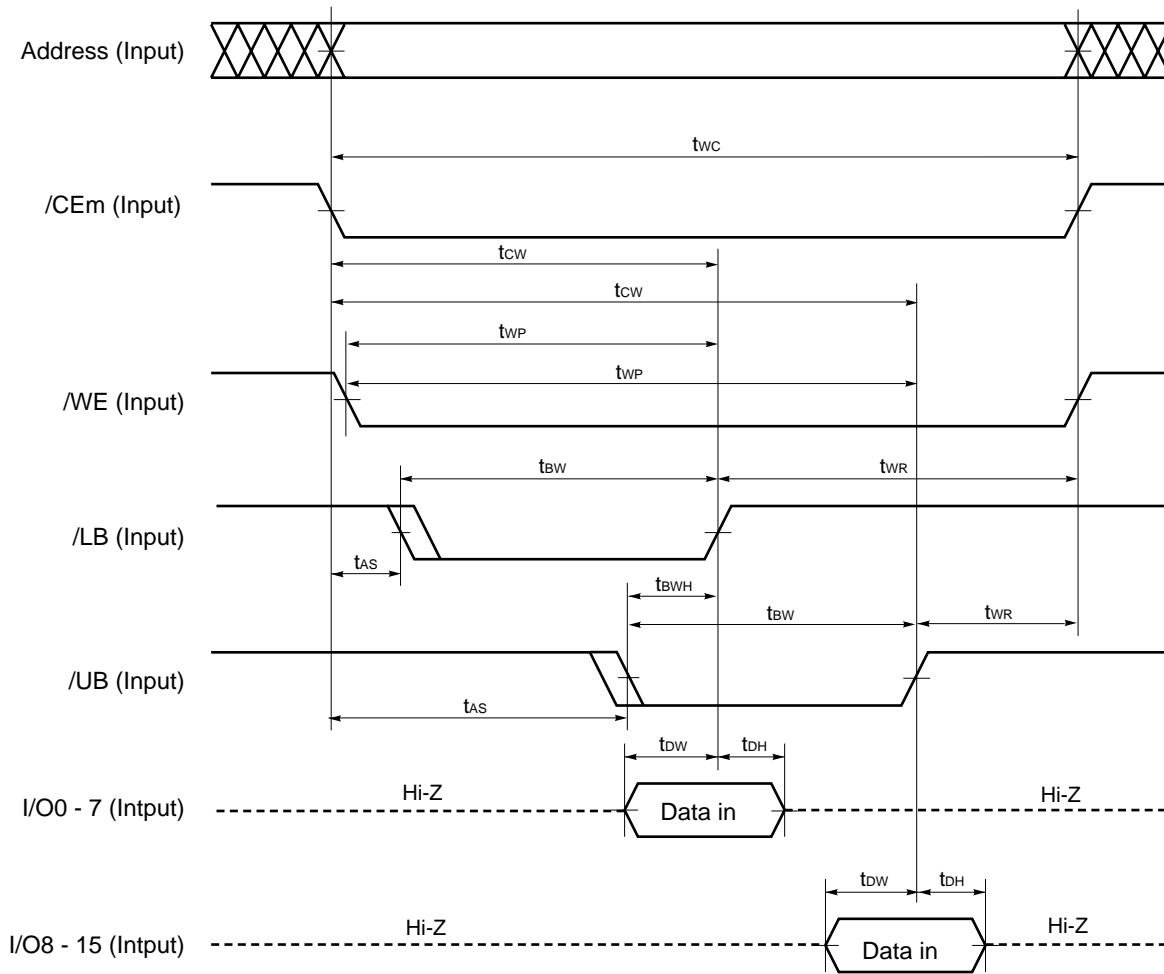


- Cautions**
1. During address transition, at least one of pins \overline{CEm} , \overline{WE} should be inactivated.
 2. Do not input data to the I/O pins while they are in the output state.
 3. If the address is changed using a value that is either lower than the minimum value or higher than the maximum value for the write cycle time (t_{WC}), none of the data can be guaranteed.

Note If \overline{LB} and \overline{UB} are changed at the same time with \overline{CEm} low level and a continuous write operation toggling \overline{WE} is performed, make settings so that the sum (t_{WC}) of the identical address write cycle time (t_{WC1}) is 10 μs or less.

Remark Write operation is done during the overlap time of a Low \overline{CEm} , \overline{WE} , \overline{LB} and/or \overline{UB} .

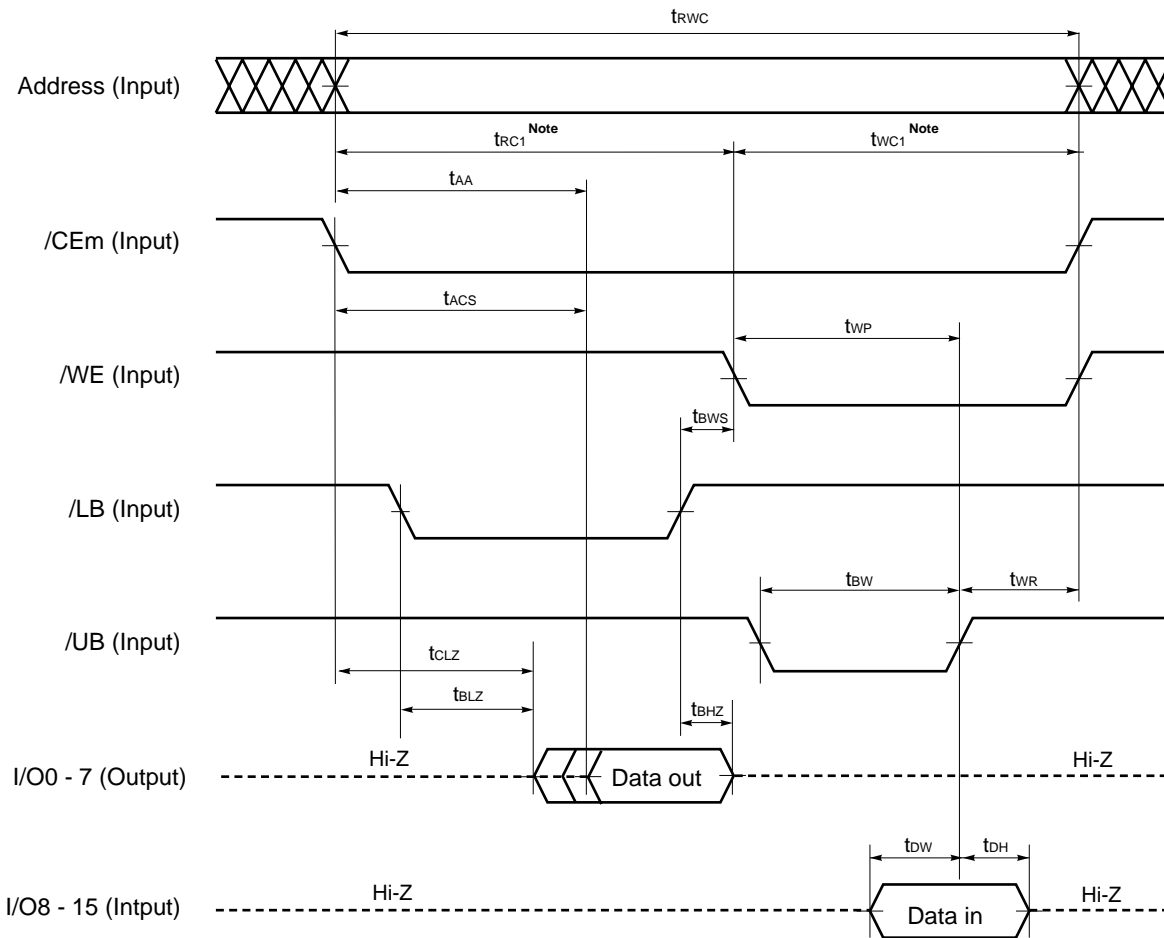
Figure 29. Write Cycle Timing Chart 7 (/LB, /UB Independent Controlled 2) (Mobile Specified RAM)



- Cautions**
1. During address transition, at least one of pins /CEm, /WE should be inactivated.
 2. Do not input data to the I/O pins while they are in the output state.
 3. If the address is changed using a value that is either lower than the minimum value or higher than the maximum value for the write cycle time (t_{WC}), none of the data can be guaranteed.

Remark Write operation is done during the overlap time of a Low /CEm, /WE, /LB and/or /UB.

Figure 30. Read Write Cycle Timing Chart 1 (/LB, /UB Independent Controlled 1) (Mobile Specified RAM)

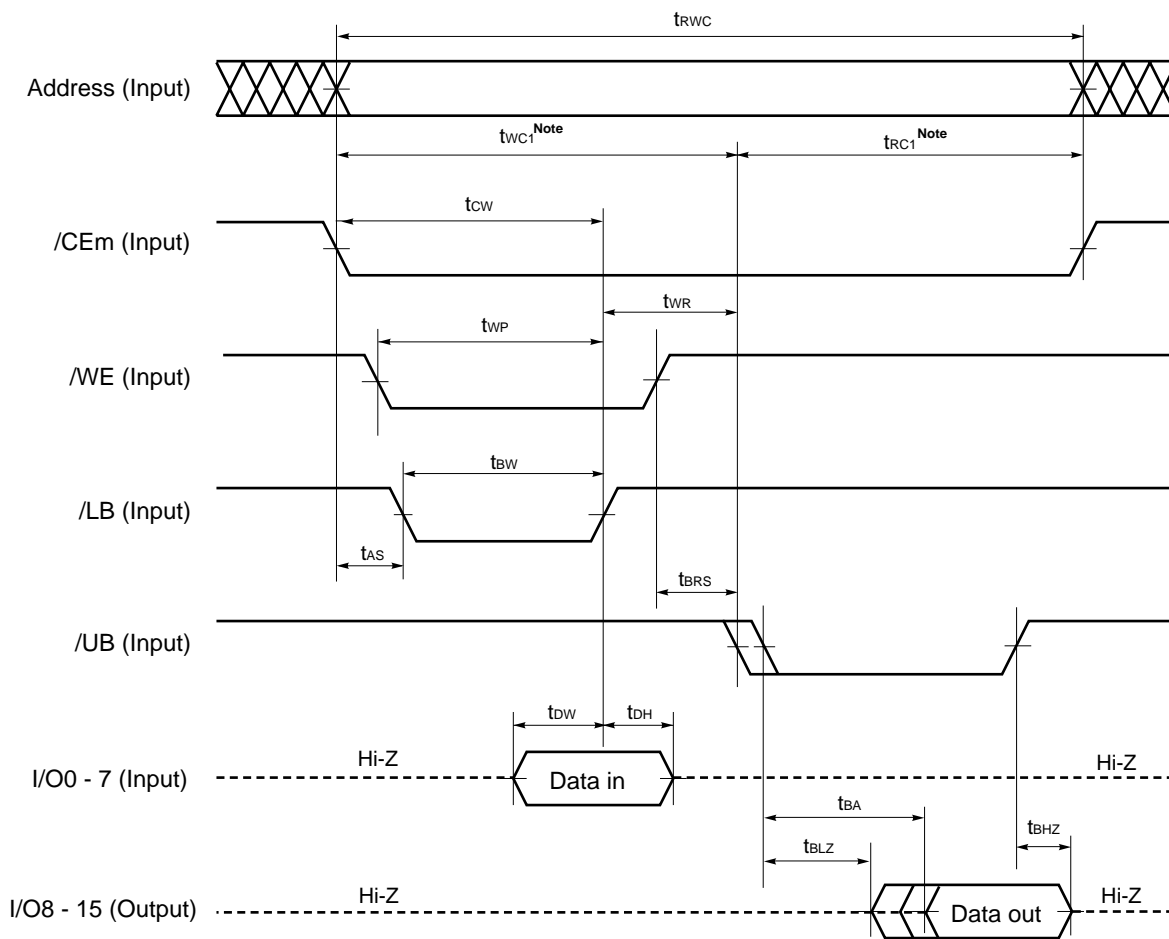


- Cautions**
1. During address transition, at least one of pins /CEm, /WE should be inactivated.
 2. Do not input data to the I/O pins while they are in the output state.
 3. If the address is changed using a value that is either lower than the minimum value or higher than the maximum value for the identical address read cycle time (t_{RC1}) and the identical address write cycle time (t_{WC1}), none of the data can be guaranteed.

Note Make settings so that the sum (t_{RWC}) of the identical address read cycle time (t_{RC1}) and the identical address write cycle time (t_{WC1}) is 10 μ s or less when a write is performed at the identical address using /UB following a read using /LB with /CEm low level, or when a write is performed using /LB following a read using /UB.

Remark Write operation is done during the overlap time of a Low /CEm, /WE, /LB and/or /UB.

Figure 31. Read Write Cycle Timing Chart 2 (/LB, /UB Independent Controlled 2) (Mobile Specified RAM)

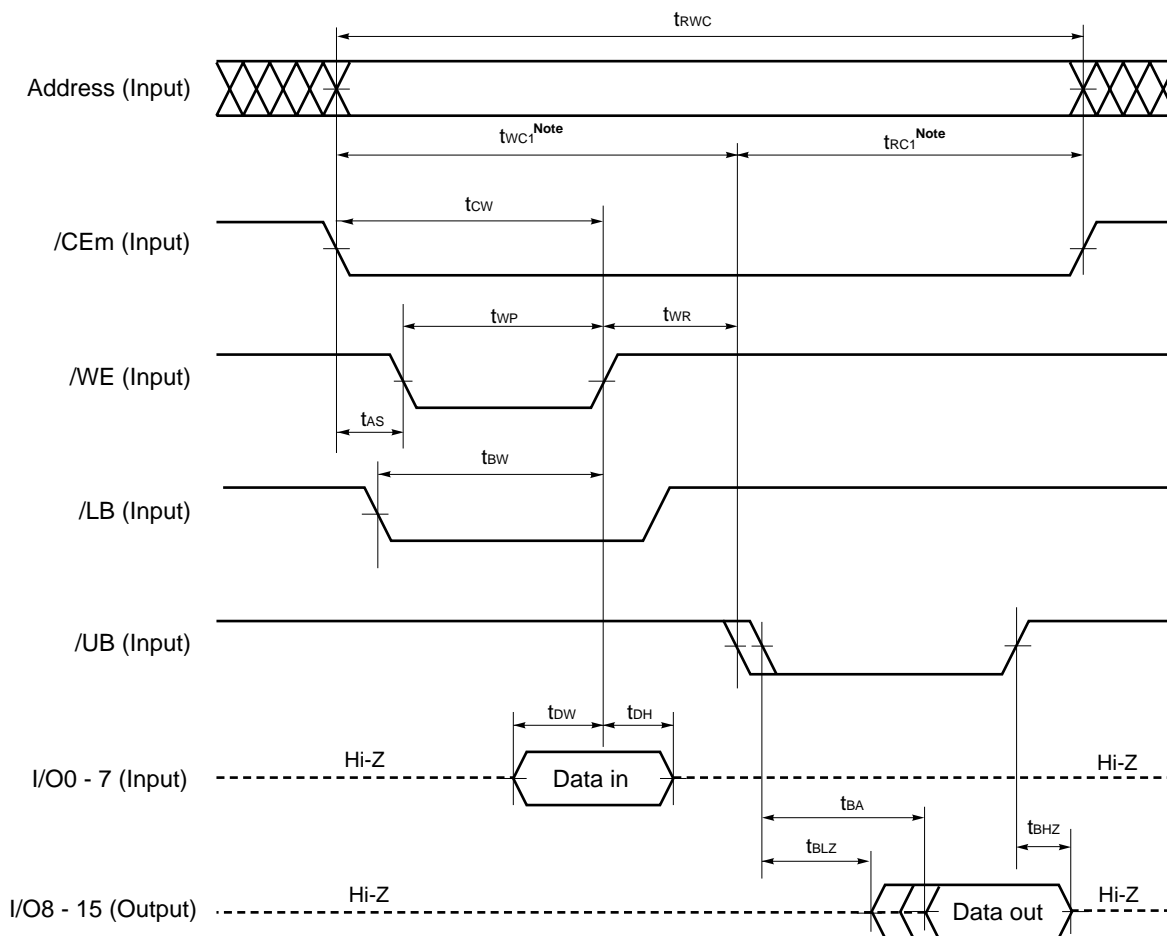


- Cautions**
1. During address transition, at least one of pins /CEm, /WE should be inactivated.
 2. Do not input data to the I/O pins while they are in the output state.
 3. If the address is changed using a value that is either lower than the minimum value or higher than the maximum value for the identical address read cycle time (t_{RC1}) and the identical address write cycle time (t_{WC1}), none of the data can be guaranteed.

Note Make settings so that the sum (t_{RWC}) of the identical address read cycle time (t_{RC1}) and the identical address write cycle time (t_{WC1}) is 10 μ s or less when a write is performed at the identical address using /UB following a read using /LB with /CEm low level, or when a write is performed using /LB following a read using /UB.

Remark Write operation is done during the overlap time of a Low /CEm, /WE, /LB and/or /UB.

Figure 32. Read Write Cycle Timing Chart 3 (/LB, /UB Independent Controlled 3) (Mobile Specified RAM)

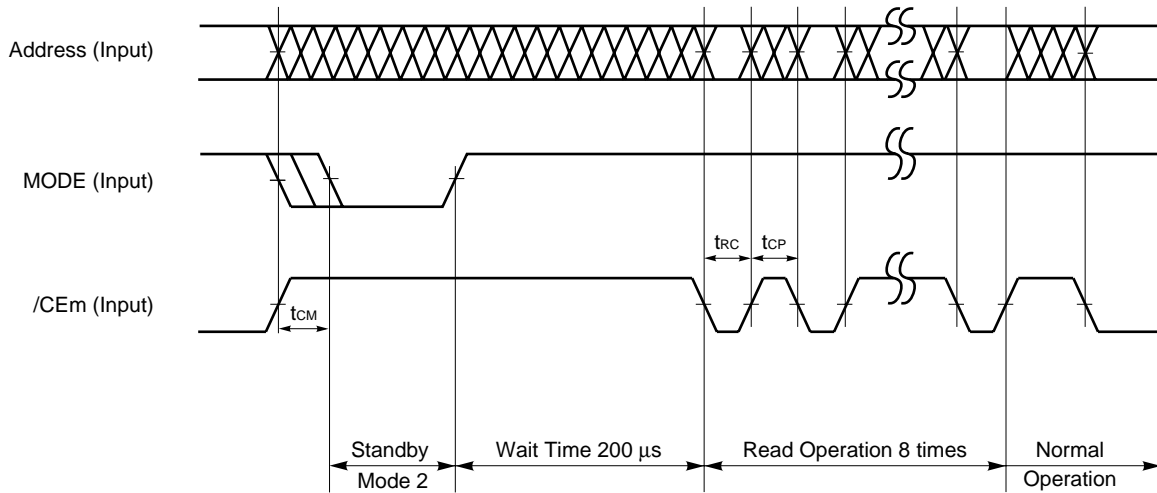


- Cautions**
1. During address transition, at least one of pins /CEm, /WE should be inactivated.
 2. Do not input data to the I/O pins while they are in the output state.
 3. If the address is changed using a value that is either lower than the minimum value or higher than the maximum value for the identical address read cycle time (t_{RC1}) and the identical address write cycle time (t_{WC1}), none of the data can be guaranteed.

Note Make settings so that the sum (t_{RWC}) of the identical address read cycle time (t_{RC1}) and the identical address write cycle time (t_{WC1}) is 10 μ s or less when a write is performed at the identical address using /UB following a read using /LB with /CEm low level, or when a write is performed using /LB following a read using /UB.

Remark Write operation is done during the overlap time of a Low /CEm, /WE, /LB and/or /UB.

Figure 33. Standby Mode 2 entry and recovery Timing Chart (Mobile Specified RAM)



Parameter	Symbol	MIN.	MAX.	Unit	Note
/CEm High to MODE Low	t_{CM}	0		ns	

- Cautions**
1. Make MODE and /CEm high level during the wait time interval.
 2. Make MODE high level during the wait time and eight read operations.
 3. The read operation must satisfy the specs (Read Cycle (Mobile Specified RAM)).
 4. The address is don't care (V_{IH} or V_{IL}) during read operation.
 5. Read operation must be executed with toggled the /CEm pin.
 6. To prevent bus contention, it is recommended to set /OE to high level. However, do not input data to the I/O pins if /OE is low level during a read operation.

★ Flow Charts (Flash Memory)

Refer to DUAL OPERATION FLASH MEMORY 32M BITS A SERIES Information (M14914E).

CFI Code List

(1/2)

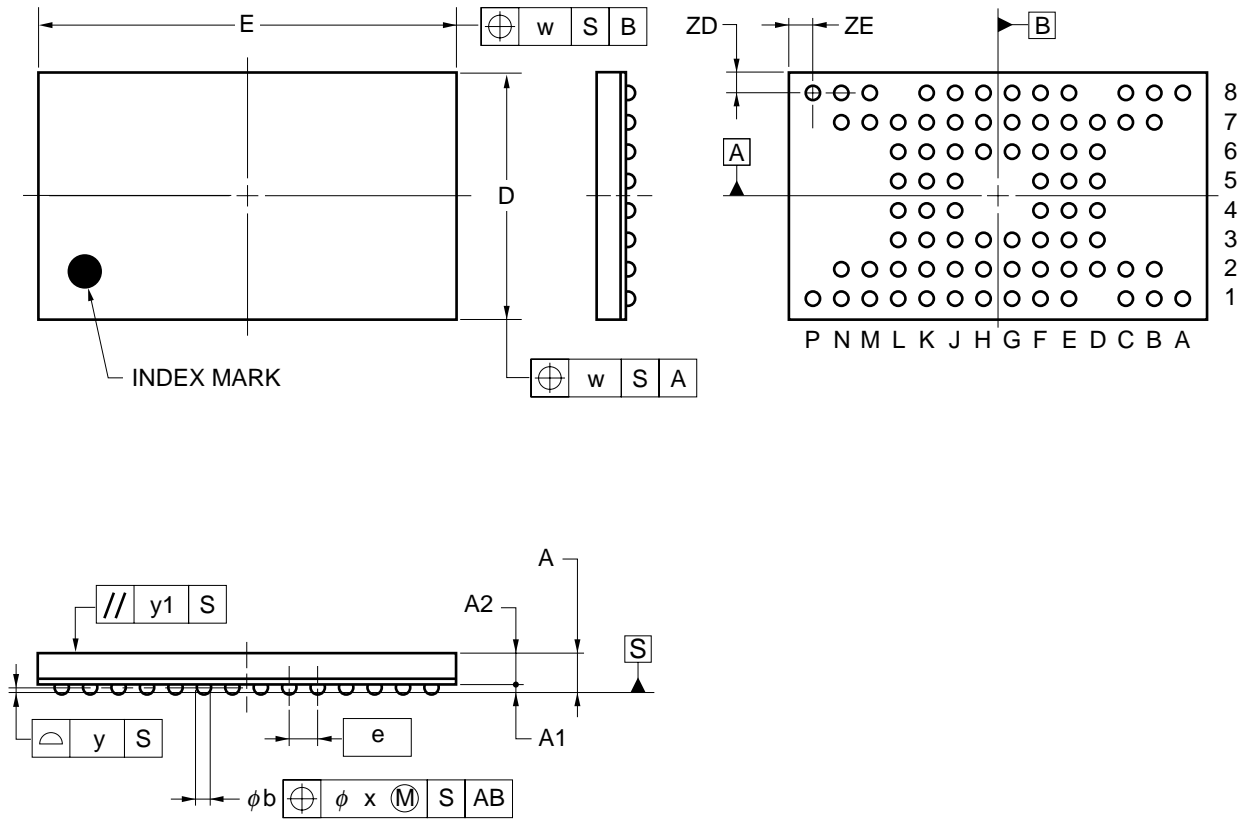
Address A6 to A0	Data I/O15 to I/O0	Description
10H	0051H	"QRY" (ASCII code)
11H	0052H	
12H	0059H	
13H	0002H	Main command set
14H	0000H	2 : AMD/FJ standard type
15H	0040H	Start address of PRIMARY table
16H	0000H	
17H	0000H	Auxiliary command set
18H	0000H	00H : Not supported
19H	0000H	Start address of auxiliary algorithm table
1AH	0000H	
1BH	0027H	Minimum V _{ccf} voltage (program / erase) I/O7 to I/O4 : 1 V/bit I/O3 to I/O0 : 100 mV/bit
1CH	0036H	Maximum V _{ccf} voltage (program / erase) I/O7 to I/O4 : 1 V/bit I/O3 to I/O0 : 100 mV/bit
1DH	0000H	Minimum V _{PP} voltage
1EH	0000H	Maximum V _{PP} voltage
1FH	0004H	Typical word program time ($2^N \mu\text{s}$)
20H	0000H	Typical buffer program time ($2^N \mu\text{s}$)
21H	000AH	Typical sector erase time (2^Nms)
22H	0000H	Typical chip erase time (2^Nms)
23H	0005H	Maximum word program time (typical time $\times 2^N$)
24H	0000H	Maximum buffer program time (typical time $\times 2^N$)
25H	0004H	Maximum sector erasing time (typical time $\times 2^N$)
26H	0000H	Maximum chip erasing time (typical time $\times 2^N$)
27H	0016H	Capacity (2^N Bytes)
28H	0002H	I/O information
29H	0000H	2 : $\times 8/\times 16$ -bit organization
2AH	0000H	Maximum number of bytes when two banks are programmed (2^N)
2BH	0000H	
2CH	0002H	Type of erase block
2DH	0007H	Information about erase block 1
2EH	0000H	Bit0 to 15 : y = number of sectors
2FH	0020H	Bit16 to 31 : z = size
30H	0000H	(Z \times 256 Bytes)

(2/2)

Address A6 to A0	Data I/O15 to I/O0	Description
31H	003EH	Information about erase block 2
32H	0000H	bit0 to 15 : y = number of sectors
33H	0000H	bit16 to 31 : z = size
34H	0001H	(z × 256 Bytes)
40H	0050H	"PRI" (ASCII code)
41H	0052H	
42H	0049H	
43H	0031H	Main version (ASCII code)
44H	0032H	Minor version (ASCII code)
45H	0000H	Address during command input 00H : Necessary 01H : Unnecessary
46H	0002H	Temporary erase suspend function 00H : Not supported 01H : Read only 02H : Read / Program
47H	0001H	Sector group protection 00H : Not supported 01H : Supported
48H	0001H	Temporary sector group protection 00H : Not supported 01H : Supported
49H	0004H	Sector group protection algorithm
4AH	00xxH	Number of sectors of bank 2 00H : Not supported 38H : MC-242452
4BH	0000H	Burst mode 00H : Not supported
4CH	0000H	Page mode 00H : Not supported
4DH	0085H	Minimum V _{ACC} voltage I/O7 to I/O4 : 1 V/bit I/O3 to I/O0 : 100 mV/bit
4EH	0095H	Maximum V _{ACC} voltage I/O7 to I/O4 : 1 V/bit I/O3 to I/O0 : 100 mV/bit
4FH	00xxH	Boot organization 02H : Bottom boot
50H	0001H	Temporary program suspend function 00H : Not supported 01H : Supported

Package Drawings

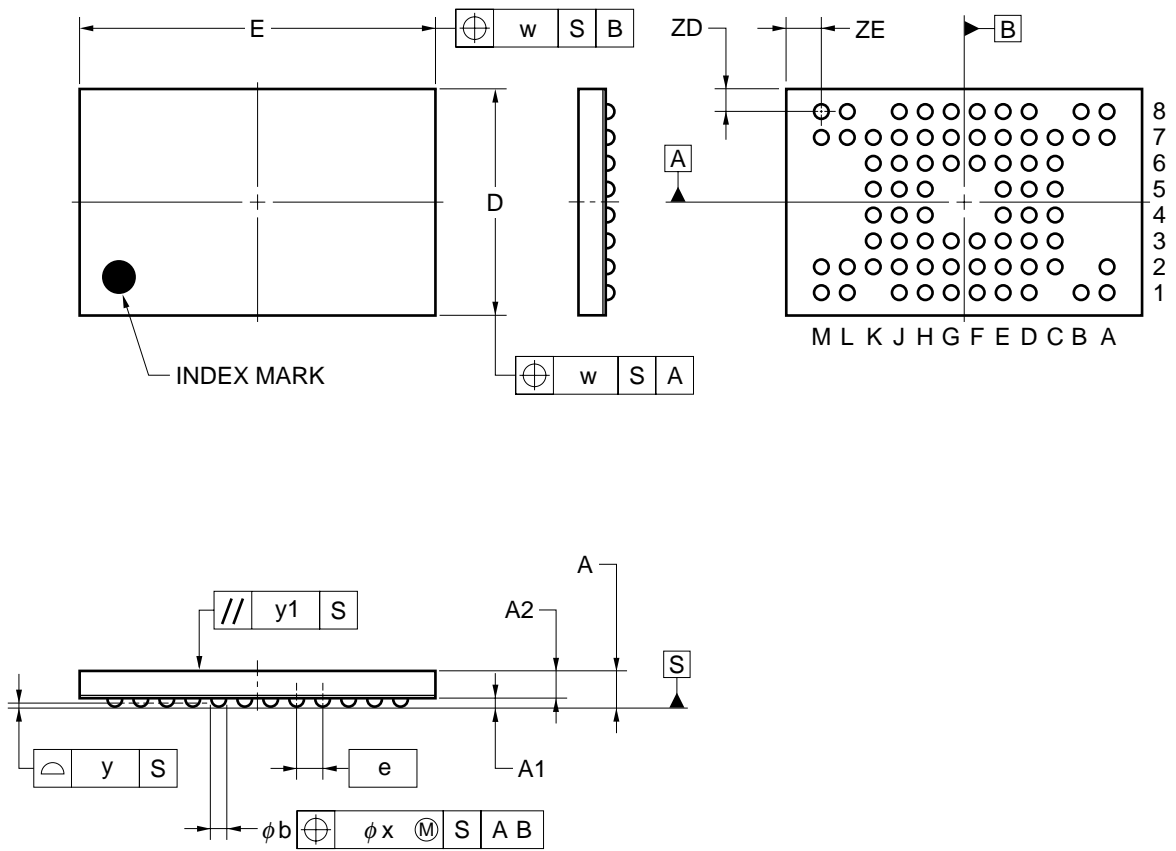
77-PIN TAPE FBGA (12x7)



ITEM	MILLIMETERS
D	7.0±0.1
E	12.0±0.1
w	0.2
A	1.1±0.1
A1	0.26±0.05
A2	0.84
e	0.8
b	0.45±0.05
x	0.08
y	0.1
y1	0.1
ZD	0.7
ZE	0.8

P77F9-80-BT3

★ 71-PIN TAPE FBGA (11x7)



ITEM	MILLIMETERS
D	7.00±0.10
E	11.00±0.10
w	0.20
A	1.11±0.10
A1	0.27±0.05
A2	0.84
e	0.80
b	0.45±0.05
x	0.08
y	0.10
y1	0.20
ZD	0.70
ZE	1.10

P71F9-80-BS1

Recommended Soldering Conditions

Please consult with our sales offices for soldering conditions of the MC-242452.

Types of Surface Mount Device

MC-242452F9-BT3 : 77-pin TAPE FBGA (12 × 7)

★ MC-242452F9-BS1 : 71-pin TAPE FBGA (11 × 7)

Revision History

Edition/ Date	Page		Type of revision	Location	Description (Previous edition → This edition)
	This edition	Previous edition			
3rd edition/ March 2002	Throughout	Throughout	Modification Addition		Preliminary Data Sheet → Data Sheet 71-pin TAPE FBGA (11×7)
	p.3	p.3	Modification Addition	Pin Configurations	77-pin TAPE FBGA (12×7): F8, G8: V _{ss} → IC, H7: V _{ss} → NC, L5: V _{ccm} → NC Note 2
	–	p.5, 6	Deletion		CONTENTS
	p.5	p.7	Addition	Bus Operations Table	Remark 4
	–	p.7 to 10 p.13 to 20 p.21 to 23 p.24	Deletion	1. Bus Operations, 3. Commands, 4. Hardware Sequence Flags, 5. Hardware Data Protection	Explanation
	p.8	–	Addition		Sector Group Address Table
	p.10	p.14	Modification Addition	Command Sequence	Remark 2: SPA, SUA Remark 6
	p.11	–	Addition		Reference comment of information
	p.14	p.27	Deletion	Electrical Specifications	Capacitance
	p.15	p.28	Modification	DC Characteristics (Flash Memory)	Note: Reference comment of information
	p.45	p.58	Addition		Reference comment of information
	–	p.59 to 63	Deletion		8. Flow Chart

[MEMO]

[MEMO]

[MEMO]

NOTES FOR CMOS DEVICES**① PRECAUTION AGAINST ESD FOR SEMICONDUCTORS**

Note:

Strong electric field, when exposed to a MOS device, can cause destruction of the gate oxide and ultimately degrade the device operation. Steps must be taken to stop generation of static electricity as much as possible, and quickly dissipate it once, when it has occurred. Environmental control must be adequate. When it is dry, humidifier should be used. It is recommended to avoid using insulators that easily build static electricity. Semiconductor devices must be stored and transported in an anti-static container, static shielding bag or conductive material. All test and measurement tools including work bench and floor should be grounded. The operator should be grounded using wrist strap. Semiconductor devices must not be touched with bare hands. Similar precautions need to be taken for PW boards with semiconductor devices on it.

② HANDLING OF UNUSED INPUT PINS FOR CMOS

Note:

No connection for CMOS device inputs can be cause of malfunction. If no connection is provided to the input pins, it is possible that an internal input level may be generated due to noise, etc., hence causing malfunction. CMOS devices behave differently than Bipolar or NMOS devices. Input levels of CMOS devices must be fixed high or low by using a pull-up or pull-down circuitry. Each unused pin should be connected to V_{DD} or GND with a resistor, if it is considered to have a possibility of being an output pin. All handling related to the unused pins must be judged device by device and related specifications governing the devices.

③ STATUS BEFORE INITIALIZATION OF MOS DEVICES

Note:

Power-on does not necessarily define initial status of MOS device. Production process of MOS does not define the initial operation status of the device. Immediately after the power source is turned ON, the devices with reset function have not yet been initialized. Hence, power-on does not guarantee out-pin levels, I/O settings or contents of registers. Device is not initialized until the reset signal is received. Reset operation must be executed immediately after power-on for devices having reset function.

Related Documents

Document Name	Document Number
DUAL OPERATION FLASH MEMORY 32M BITS A SERIES Information	M14914E

- **The information in this document is current as of March, 2002. The information is subject to change without notice. For actual design-in, refer to the latest publications of NEC's data sheets or data books, etc., for the most up-to-date specifications of NEC semiconductor products. Not all products and/or types are available in every country. Please check with an NEC sales representative for availability and additional information.**
- No part of this document may be copied or reproduced in any form or by any means without prior written consent of NEC. NEC assumes no responsibility for any errors that may appear in this document.
- NEC does not assume any liability for infringement of patents, copyrights or other intellectual property rights of third parties by or arising from the use of NEC semiconductor products listed in this document or any other liability arising from the use of such products. No license, express, implied or otherwise, is granted under any patents, copyrights or other intellectual property rights of NEC or others.
- Descriptions of circuits, software and other related information in this document are provided for illustrative purposes in semiconductor product operation and application examples. The incorporation of these circuits, software and information in the design of customer's equipment shall be done under the full responsibility of customer. NEC assumes no responsibility for any losses incurred by customers or third parties arising from the use of these circuits, software and information.
- While NEC endeavours to enhance the quality, reliability and safety of NEC semiconductor products, customers agree and acknowledge that the possibility of defects thereof cannot be eliminated entirely. To minimize risks of damage to property or injury (including death) to persons arising from defects in NEC semiconductor products, customers must incorporate sufficient safety measures in their design, such as redundancy, fire-containment, and anti-failure features.
- NEC semiconductor products are classified into the following three quality grades:
 "Standard", "Special" and "Specific". The "Specific" quality grade applies only to semiconductor products developed based on a customer-designated "quality assurance program" for a specific application. The recommended applications of a semiconductor product depend on its quality grade, as indicated below. Customers must check the quality grade of each semiconductor product before using it in a particular application.
 "Standard": Computers, office equipment, communications equipment, test and measurement equipment, audio and visual equipment, home electronic appliances, machine tools, personal electronic equipment and industrial robots
 "Special": Transportation equipment (automobiles, trains, ships, etc.), traffic control systems, anti-disaster systems, anti-crime systems, safety equipment and medical equipment (not specifically designed for life support)
 "Specific": Aircraft, aerospace equipment, submersible repeaters, nuclear reactor control systems, life support systems and medical equipment for life support, etc.

The quality grade of NEC semiconductor products is "Standard" unless otherwise expressly specified in NEC's data sheets or data books, etc. If customers wish to use NEC semiconductor products in applications not intended by NEC, they must contact an NEC sales representative in advance to determine NEC's willingness to support a given application.

(Note)

(1) "NEC" as used in this statement means NEC Corporation and also includes its majority-owned subsidiaries.
 (2) "NEC semiconductor products" means any semiconductor product developed or manufactured by or for NEC (as defined above).

M8E 00.4