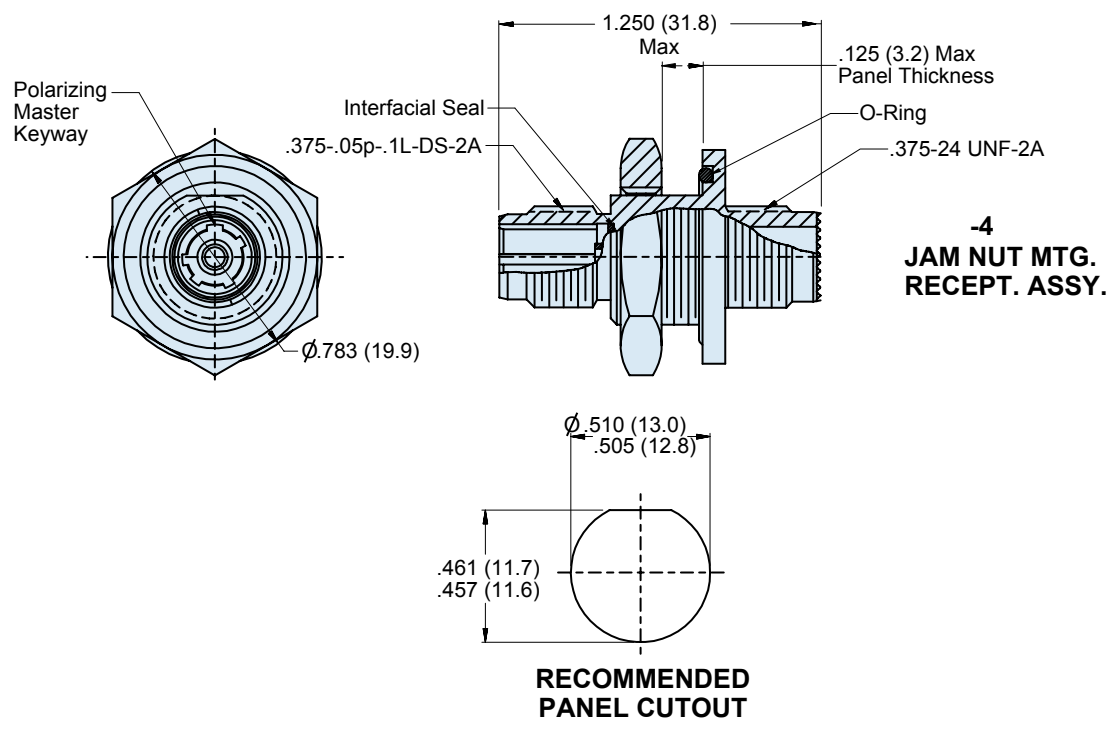
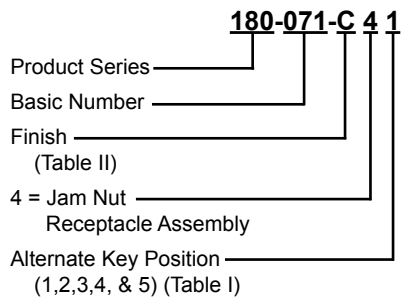




**180-071 (-4) Jam Nut
Single Channel Fiber Optic Receptacle Connector
Environment Resistant
for Glenair 181-001 and 181-002 Termini**



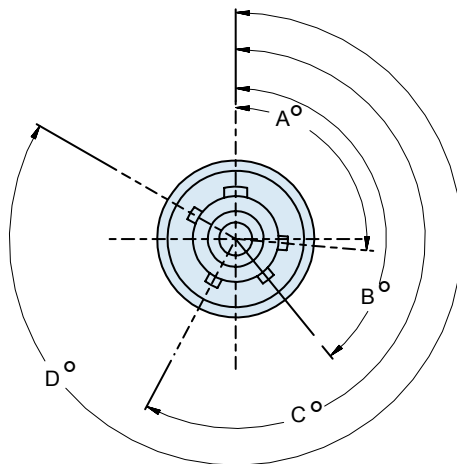
**-4
JAM NUT MTG.
RECEPT. ASSY.**

- APPLICATION NOTES**
1. Assembly packaged in plastic bag and tag identified with manufacturer's name and part number.
 2. Glenair 180-071 Connector features:
 - A. Receptacle Body, Jam Nut Coupling Nut: Aluminum Alloy (See Table II).
 - B. O-Ring, Interfacial Seal: Fluorosilicone.
 - C. Fiber Optic Termini: Glenair 181 Series (Not supplied).
 - D. Operating Temperature Range: -55°C to +125°C.
 3. Metric dimensions (mm) are in parentheses.

180-071 (-4) Jam Nut
Single Channel Fiber Optic Receptacle Connector
Environment Resistant
for Glenair 181-001 and 181-002 Termini



MIL-DTL-38999
Connectors



As Viewed from Rear of Connector

TABLE I: KEYWAY LOCATION				
Pos	A°	B°	C°	D°
1	95	141	208	300
2	80	141	208	300
3	95	141	223	300
4	80	141	223	300
5	95	141	208	275

TABLE II: FINISH		
SYM	MATERIAL	FINISH
C	Aluminum	Black Anodize
M	Aluminum	Electroless Nickel
NF	Aluminum	Cadmium, Olive Drab over Electroless Nickel
ZN	Aluminum	Zinc-Nickel, Olive Drab over Electroless Nickel
Z1	Stainless Steel	Passivate