

PLEASE CHECK WWW.MOLEX.COM FOR LATEST PART INFORMATION

Part Number: [1200835152](#)
Status: **Active**
Overview: [ultralock connection system](#)
Description: Micro-Change® (M12) Single-Ended Cordset, Male - Pigtail, Straight, 8 Poles, Length 10.0m (32.81'), Black

Documents:

[Drawing \(PDF\)](#) [RoHS Certificate of Compliance \(PDF\)](#)

General

Product Family	Industrial Cordsets
Series	120083
Connector End A	Ultra-Lock® (M12)
Connector End B	Pigtail
IP Rating	IP69K
Overview	ultralock connection system
Product Name	Ultra-Lock® (M12)
Type	Single Ended

Physical

Cable Diameter	6.60mm (.260")
Cable Length	10.0m (32.81')
Color - Cable Jacket	Black
Coupling Style	Push to Lock
Gender	Male-Pigtail
Keyway	None
LED Indicator	No
Material - Cable Jacket	PUR
Material - Connector Body	PUR
Material - Contact	Brass
Material - Coupling Nut	Nickel-plated Brass
Material - O-Ring	Viton
Material - Plating Mating	Gold over Nickel
Orientation	Straight
Poles	8
Temperature Range - Operating	-25°C to +90°C
Wire Size AWG	24
Wire/Cable Type	UL 20327

Electrical

Current - Maximum per Contact	4A
Voltage - Maximum	30V AC/DC

Material Info

Old Part Number	W08S06P19M100G
-----------------	----------------

Reference - Drawing Numbers

Sales Drawing	SD-120083-022
---------------	---------------

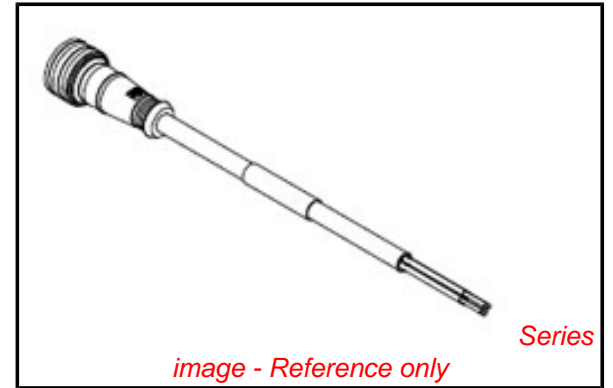


image - Reference only

EU RoHS

**ELV and RoHS
Compliant**
**REACH SVHC
Not Reviewed**
**Halogen-Free
Status**

China RoHS

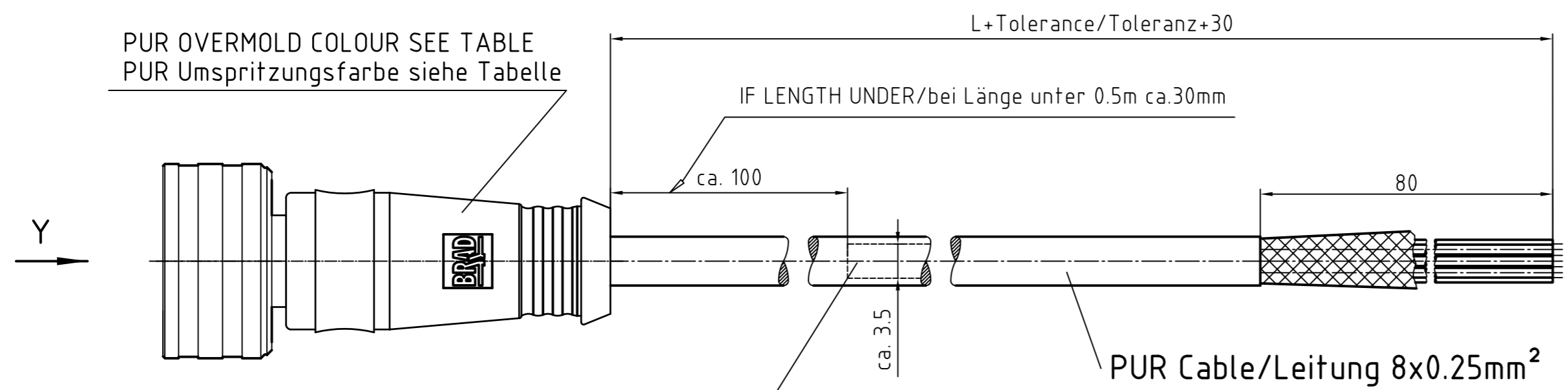


**Need more information on product
environmental compliance?**

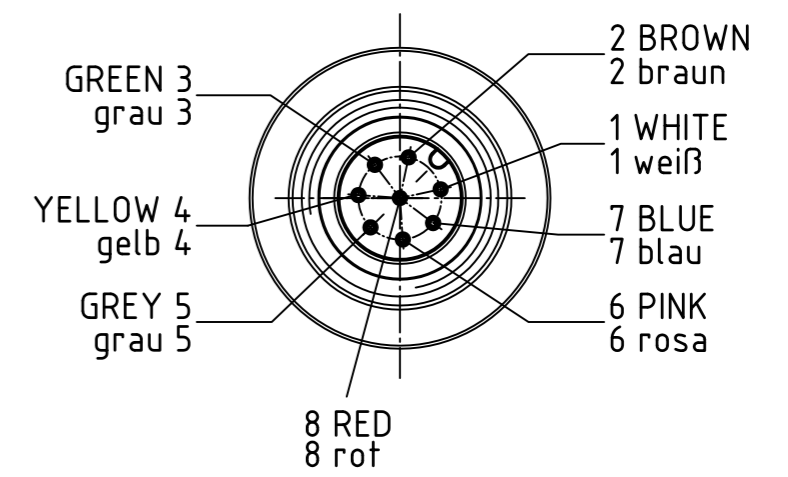
Email productcompliance@molex.com
 For a multiple part number RoHS Certificate of Compliance, [click here](#)

Please visit the [Contact Us](#) section for any non-product compliance questions.

Search Parts in this Series
[120083Series](#)



VIEW/Ansicht X
MALE CABLE CONNECTOR/Kabelstecker
8-Pol



CABLE PRINTING:
Kabelbedruckung: Woodhead Connectivity GmbH "Engineering-Nr" X..

PROD. DATE AS DEFINED IN
Fertigungsdatum gemäß
WN 00001

SAP-Nummer	Engineering-Nr.	Umspritzungsfarbe	Länge	Toleranzen
SAP-Number	Engineering-No.	Overmold Colour	Length	Tolerances
1200795033	W08S06P19M020	gelb / yellow	2M	± 25 mm
1200835125	W08S06P19M030	gelb / yellow	3M	
1202010048	W08S06P19M040	gelb / yellow	4M	
1200795034	W08S06P19M050	gelb / yellow	5M	
1202010050	W08S06P19M060	gelb / yellow	6M	± 30 mm
1200795035	W08S06P19M100	gelb / yellow	10M	
1200835139	W08S06P19M030G	schwarz / black	3M	± 25 mm
1200835140	W08S06P19M050G	schwarz / black	5M	
1200835152	W08S06P19M100G	schwarz / black	10M	± 30 mm

(...) DIM FOR INFORMATION
(...) Informationsmaß

DESCRIPTION EC NO: WEU2010-0123 DRWN: BBRAUCH CHKD: RE APPR: REISSNER 9/25/09 2009/11/23	QUALITY SYMBOLS ▽ = 0 ▽C = 0	GENERAL TOLERANCES (UNLESS SPECIFIED) mm INCH 4 PLACES ±---- ±---- 3 PLACES ±---- ±---- 2 PLACES ±0.05 ±---- 1 PLACE ±0.1 ±---- ANGULAR ± ---- °	DIMENSION STYLE MM DRAWN BY: BB DATE: 2009/09/25 CHECKED BY: RE DATE: 2009/10/01 APPROVED BY: REISSNER DATE: 2009/11/20 MATERIAL NO.	SCALE 2:1 DESIGN UNITS METRIC FIRST ANGLE PROJECTION	M12-AU-8P-M-STR-8/25PURSH-XM ---- MOLEX INCORPORATED DOCUMENT NO. SD-120083-022 SHEET NO. 1 OF 1	
	DRAFT WHERE APPLICABLE MUST REMAIN WITHIN DIMENSIONS		see table	THIS DRAWING CONTAINS INFORMATION THAT IS PROPRIETARY TO MOLEX INCORPORATED AND SHOULD NOT BE USED WITHOUT WRITTEN PERMISSION		
	1	REV				