

MOS INTEGRATED CIRCUIT

μ PD27C4000

4 M BIT CMOS PROM

DESCRIPTION

The μ PD27C4000 is a 4 194 304-bit electrically programmable read-only memory. The word organization is selectable (word mode: 256K words by 16 bits, byte mode: 512K words by 8 bits). The device is fabricated using an advanced CMOS process which substantially saves power in operating and standby modes and is of use for a low power supply system.

The μ PD27C4000DZ is available in a standard 40-pin cerdip package with a quartz window as an ultraviolet (UV) erasable PROM. The μ PD27C4000CZ and μ PD27C4000GW are available in plastic packages as ONE TIME PROMs.

FEATURES

- Word organization: 256K words by 16 bits (word mode)
512K words by 8 bits (byte mode)
- Electrically programmable
- Fast access time: (See ORDERING INFORMATION)
- Low power dissipation: 50 mA MAX. active current
100 μ A MAX. standby current
- High speed programming mode
- Input/Output TTL-compatible
- Single +5 V power supply
- Three state outputs
- Pinout compatibility with 40-pin mask ROM, μ PD23C4000s

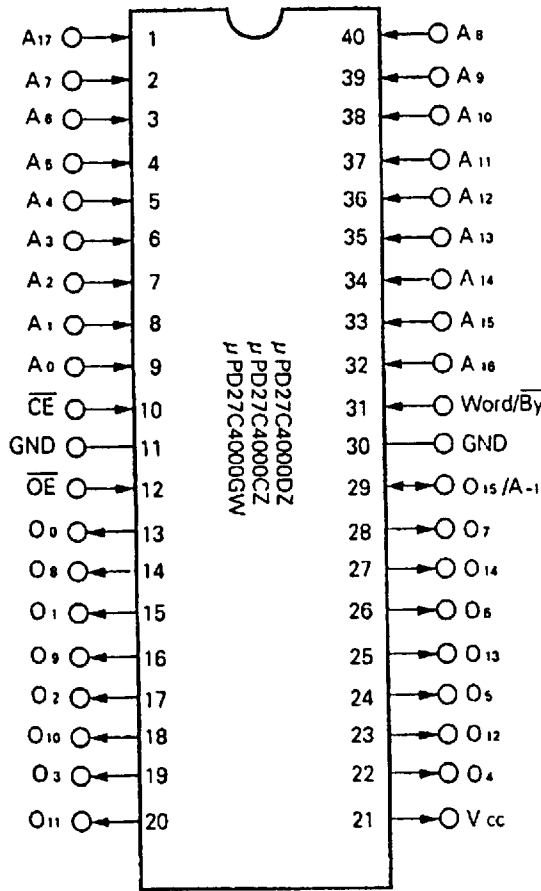
ORDERING INFORMATION

PART NUMBER	ACCESS TIME (MAX.)	PACKAGE TYPE	FUNCTION	QUALITY GRADE
μ PD27C4000DZ-15	150 ns	40-pin Ceramic DIP with a quartz window (600 mil) (Mask programmable ROM compatible)	UV EPROM	STANDARD
μ PD27C4000DZ-17	170 ns			
μ PD27C4000DZ-20	200 ns			
μ PD27C4000CZ-15	150 ns	40-pin Plastic DIP (600 mil) (Mask programmable ROM compatible)	ONE TIME PROM	
μ PD27C4000CZ-17	170 ns			
μ PD27C4000CZ-20	200 ns			
μ PD27C4000GW-15	150 ns	40-pin Plastic SOP (525 mil) (Mask programmable ROM compatible)		
μ PD27C4000GW-17	170 ns			
μ PD27C4000GW-20	200 ns			

Note μ PD27C4000 is compatible with the μ PD23C4000.

Please refer to "Quality grade on NEC Semiconductor Devices" (Document number IEI-1209) published by NEC Corporation to know the specification of quality grade on the devices and its recommended applications.

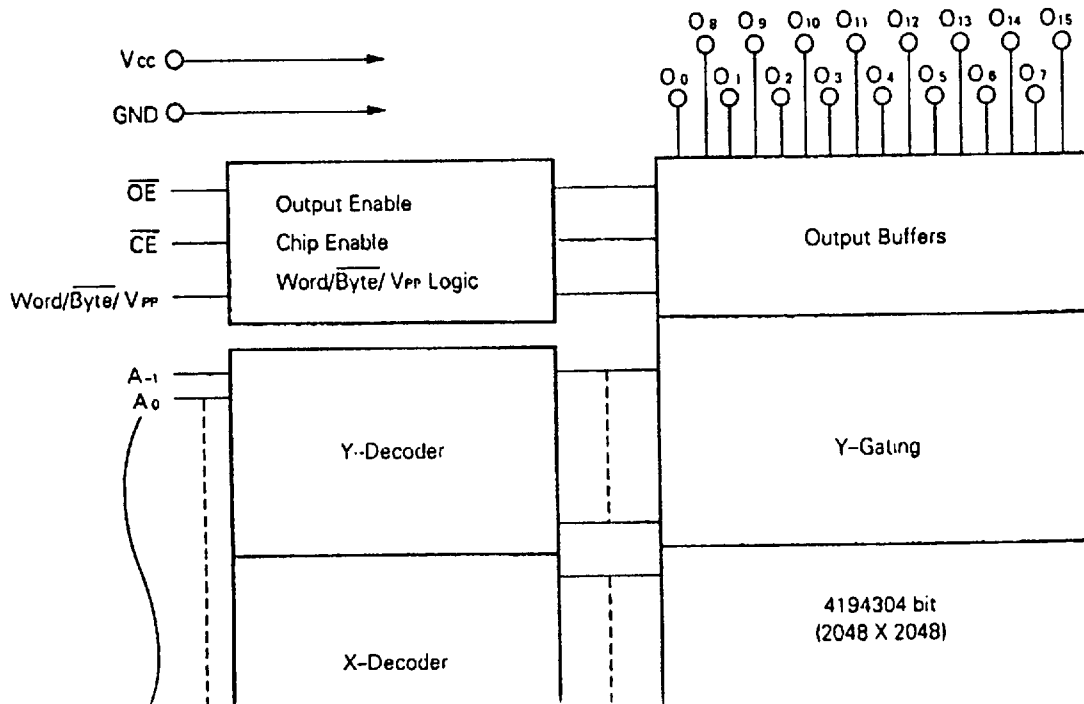
PIN CONFIGURATION (Top View)



PIN NAMES

- A₀ to A₁₇ : Address Inputs
- O₀ to O₇, O₈ to O₁₄ : Data Outputs
- O₁₅/A₋₁ : Data 15 Output (word mode)/
LSB Address Input (byte mode)
- Word/Byte/V_{PP} : Mode Selects/Program Voltage
- \overline{CE} : Chip Enable
- \overline{OE} : Output Enable
- V_{CC} : Supply Voltage
- GND : Ground

BLOCK DIAGRAM



1. μ PD27C4000 Operating Mode

MODE SELECTION

Mode \ Symbol	\overline{CE}	\overline{OE}	Word/Byte /V _{PP}	V _{CC}	O ₀ to O ₇	O ₈ to O ₁₄	O ₁₅ /A-1
Read (Word mode)	V _{IL}	V _{IL}	V _{IH}	+5 V	DOUT	DOUT	DOUT
Read (Byte mode)	V _{IL}	V _{IL}	V _{IL}	+5 V	DOUT	High-Z	LSB
Output Disable	V _{IL}	V _{IH}	X	+5 V	High-Z	High-Z	High-Z
Standby	V _{IH}	X	X	+5 V	High-Z	High-Z	High-Z
Program	V _{IL}	V _{IH}	+12.5 V	+6.5 V	DIN	DIN	DIN
Program Verify	X	V _{IL}	+12.5 V	+6.5 V	DOUT	DOUT	DOUT
Program Inhibit	V _{IH}	V _{IH}	+12.5 V	+6.5 V	High-Z	High-Z	High-Z

X can be either V_{IL} or V_{IH}

(1) Read Mode (Word Mode)

Setting Word/Byte/V_{PP} to "1", \overline{CE} to "0" and \overline{OE} to "0" puts the device into the read mode (Word Mode), and the data is valid at the output pins O₀ to O₁₅ after t_{acc} from stabilizing all addresses, after t_{ce} from the falling edge of \overline{CE} or after t_{oe} from the falling edge of \overline{OE} .

(2) Read Mode (Byte Mode)

Setting Word/Byte/V_{PP} to "0", \overline{CE} to "0" and \overline{OE} to "0" puts the device into the read mode (Byte Mode), and the data is valid at the output pins O₀ to O₇ after t_{acc} from stabilizing all addresses, after t_{ce} from the falling edge of \overline{CE} or after t_{oe} from the falling edge of \overline{OE} . In this case of byte mode, O₈ to O₁₄ are high-impedance, O₁₅/A-1 is LSB address input.

(3) Output Disable

Setting \overline{OE} to "1" puts pins O₀ to O₁₅ into the high-impedance state to disable data to be output. Therefore, when multiple μ PD27C4000s are connected to the data bus, data can be read from any one of them by controlling \overline{OE} .

(4) Standby Mode

Setting \overline{CE} to "1" puts the device into the standby mode, and the current at pin V_{CC} drops from 50 mA to 1 mA. The standby current varies depending on the level of \overline{CE} : 1 mA max. (I_{CCS1}) with $\overline{CE} = V_{IH}$ min. or 100 μ A max. (I_{CCS2}) with $\overline{CE} \geq V_{CC} - 0.2$ V. In this mode, pins O₀ to O₁₅ are in the high-impedance state regardless of the state of \overline{OE} .

(5) Program Mode

The programming flowchart is shown in Fig. 1.

The μ PD27C4000 is shipped with bits being set to all "1". Programming causes relevant bits to change to "0". Programming starts by setting V_{CC} to +6.5 V and $\overline{Word/Byte}/V_{PP}$ to +12.5 V and initial address.

Data to be programmed can be directly input in the 16-bit format through the data bus.

The 0.1 ms program pulse (active low) is applied to pin \overline{CE} with $\overline{OE} = "1"$ for the initial address, and immediately \overline{OE} is set to "0" to verify the data. If programming is not performed by applying the program pulse once, the program and program verification are executed X times ($X \leq 10$) repeatedly to verify the 1-word, and then the programming is complete. On completion of 1-word programming, the address is incremented. The same sequence is repeated up to the last address.

Note: Byte Program Mode is not supported.

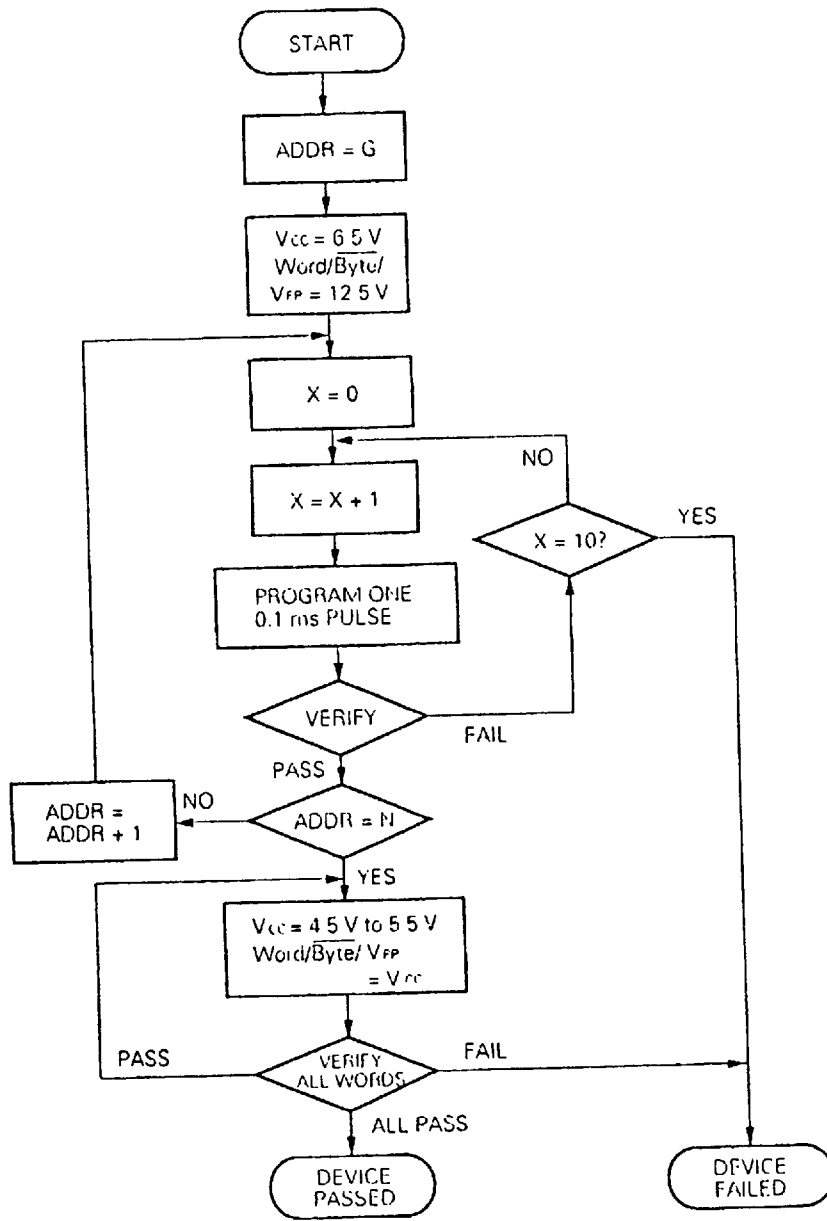
(6) Program Verify Mode

This mode is used to verify that the device is correctly programmed. After programming, check for the correct programming to each bit position in this mode. The programmed data can be verified with $\overline{OE} = "0"$.

(7) Program Inhibit Mode

This mode is used to program one of multiple μ PD27C4000s whose pins \overline{OE} , $\overline{Word/Byte}/V_{PP}$ and O_0 to O_{15} are connected in parallel. Programming is performed in the program mode described above. Other μ PD27C4000s can be inhibited from being programmed by setting their \overline{CE} pins to "1" while the one device is programmed.

Fig. 1 Programming Flowchart



G = FIRST ADDR
N = LAST ADDR

2. Electrical Specifications

ABSOLUTE MAXIMUM RATINGS*

Operating Temperature	-10 to +80	°C
Storage Temperature: ONE TIME PROM	-55 to +125	°C
Storage Temperature: UV EPROM	-65 to +125	°C
Output Voltage	-0.6 to +7	V
Input Voltage	-0.6 to +7	V
Input Voltage: A ₉	-0.6 to +13.5	V
Supply Voltage: V _{cc}	-0.6 to +7	V
Program Voltage: Word/Byte/V _{pp}	-0.6 to +13.5	V

*COMMENT: Exposing the device to stress above those listed in Absolute Maximum Ratings could cause permanent damage. The device is not meant to be operated under conditions outside the limits described in the operational sections of this specification. Exposure to Absolute Maximum Rating conditions for extended periods may affect device reliability.

READ OPERATION

RECOMMENDED OPERATING CONDITIONS

PARAMETER	SYMBOL	MIN.	TYP.	MAX.	UNIT
Supply Voltage V _{cc}	V _{cc}	4.5	5.0	5.5	V
Input High Voltage	V _{IH}	2.0		V _{cc} + 0.3	V
Input Low Voltage	V _{IL}	-0.3		0.8	V
Operating Temperature	T _a	0		70	°C

DC CHARACTERISTICS (Recommended Operating Conditions unless otherwise noted)

PARAMETER	SYMBOL	MIN.	TYP.	MAX.	UNIT	TEST CONDITION
Output High Voltage	V _{OHI}	2.4			V	I _{OH} = -400 μA
	V _{OHz}	V _{cc} - 0.7			V	I _{OH} = -100 μA
Output Low Voltage	V _{OL}			0.45	V	I _{OL} = 2.1 mA
Output Leakage Current	I _{LO}	-10		10	μA	V _{OUT} = 0 to V _{cc} , \overline{OE} = V _{IH}
Input Leakage Current	I _{LI}	-10		10	μA	V _{IN} = 0 to V _{cc}
Word/Byte/V _{pp} Current	I _{PP}		1	100	μA	Word/Byte/V _{pp} = 0 to V _{cc}
V _{cc} Current (active)	I _{CCA1}			50	mA	\overline{CE} = V _{IL} , V _{IN} = V _{IH}
	I _{CCA2}			50	mA	f = 6.7 MHz, I _{OUT} = 0 mA
V _{cc} Current (standby)	I _{CCS1}			1	mA	\overline{CE} = V _{IH} MIN.
	I _{CCS2}		1	100	μA	\overline{CE} ≥ V _{cc} - 0.2 V, V _{IN} = 0 to V _{cc}

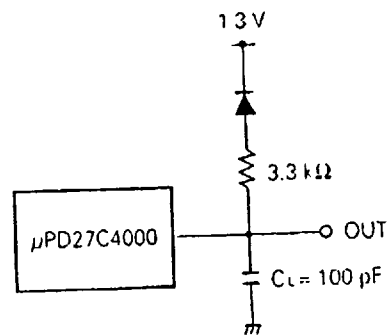
AC CHARACTERISTICS (Recommended Operating Conditions unless otherwise noted)

PARAMETER	SYMBOL	μ PD27C4000-15		μ PD27C4000-17		μ PD27C4000-20		UNIT	TEST CONDITION
		MIN.	MAX.	MIN.	MAX.	MIN.	MAX.		
Address to Output Delay	t_{ACC}		150		170		200	ns	$\overline{CE} = \overline{OE} = V_{IL}$
\overline{CE} to Output Delay	t_{CE}		150		170		200	ns	$\overline{OE} = V_{IL}$
\overline{OE} to Output Delay	t_{OE}		70		70		75	ns	$\overline{CE} = V_{IL}$
\overline{OE} or \overline{CE} High to Output Float	t_{OF}	0	55	0	55	0	60	ns	$\overline{CE} = V_{IL}$ or $\overline{OE} = V_{IL}$
Address to Output Hold	t_{OH}	0		0		0		ns	$\overline{CE} = \overline{OE} = V_{IL}$
Word/Byte Access Time	t_{WB}		150		170		200	ns	$\overline{CE} = \overline{OE} = V_{IL}$

TEST CONDITIONS

- Output Load: See Fig. 2
- Input Rise and Fall Time ≤ 20 ns
- Input Pulse Levels: 0.45 V and 2.4 V
- Timing Measurement Reference Level
 Input : 0.8 V and 2.0 V
 Output: 0.8 V and 2.0 V

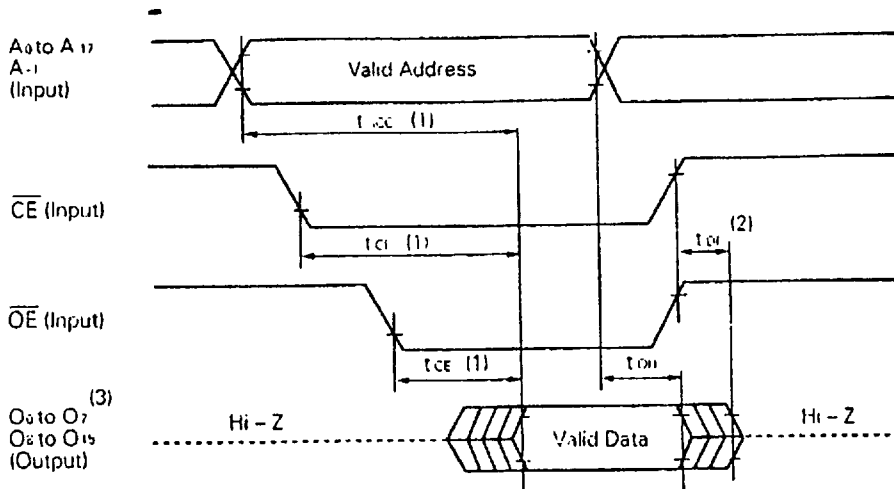
Fig. 2 Output Load



CAPACITANCE ($T_a = 25$ °C, $f = 1$ MHz)

PARAMETER	SYMBOL	MIN.	TYP.	MAX.	UNIT	TEST CONDITION
Input Capacitance	C_{IN}			14	pF	$V_{IN} = 0$ V
Output Capacitance	C_{OUT}			16	pF	$V_{OUT} = 0$ V

Read Mode Timing



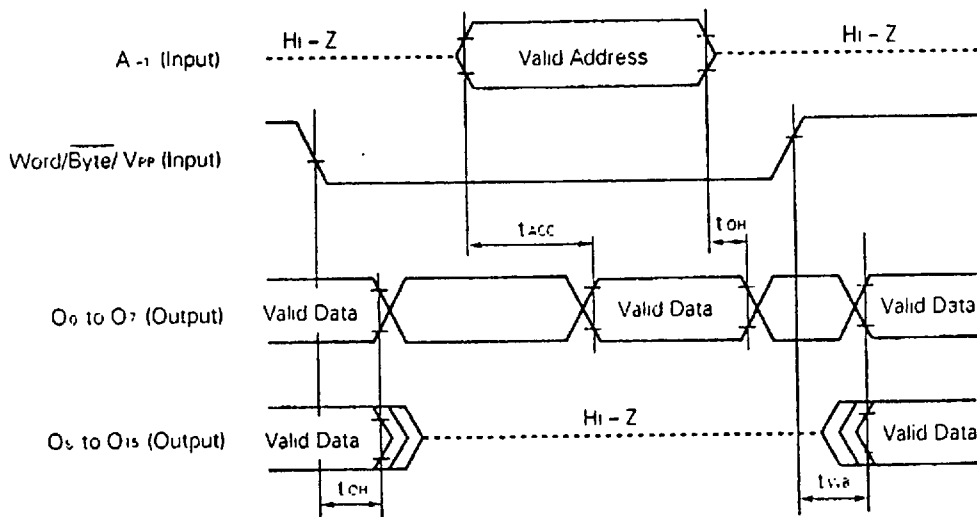
Notes: (1) For read operation, the definition of access time is as follows

\overline{CE} Input Conditions	\overline{OE} Input Conditions	Access Time Definition
before stabilizing address	before ($t_{ACC} - t_{OE}$)	t_{ACC}
	after ($t_{ACC} - t_{OE}$)	t_{OE}
after stabilizing address	before ($t_{CE} - t_{OE}$)	t_{CE}
	after ($t_{CE} - t_{OE}$)	t_{OE}

(2) t_{OH} is specified from \overline{OE} or \overline{CE} , whichever occurs first

(3) In the byte mode, O₈ to O₁₄ are high-impedance (O₁₅ is A-1)

Word/Byte Switch Timing



Note: (1) $\overline{CE} = V_{IL}$, $\overline{OE} = V_{IL}$

PROGRAM OPERATION

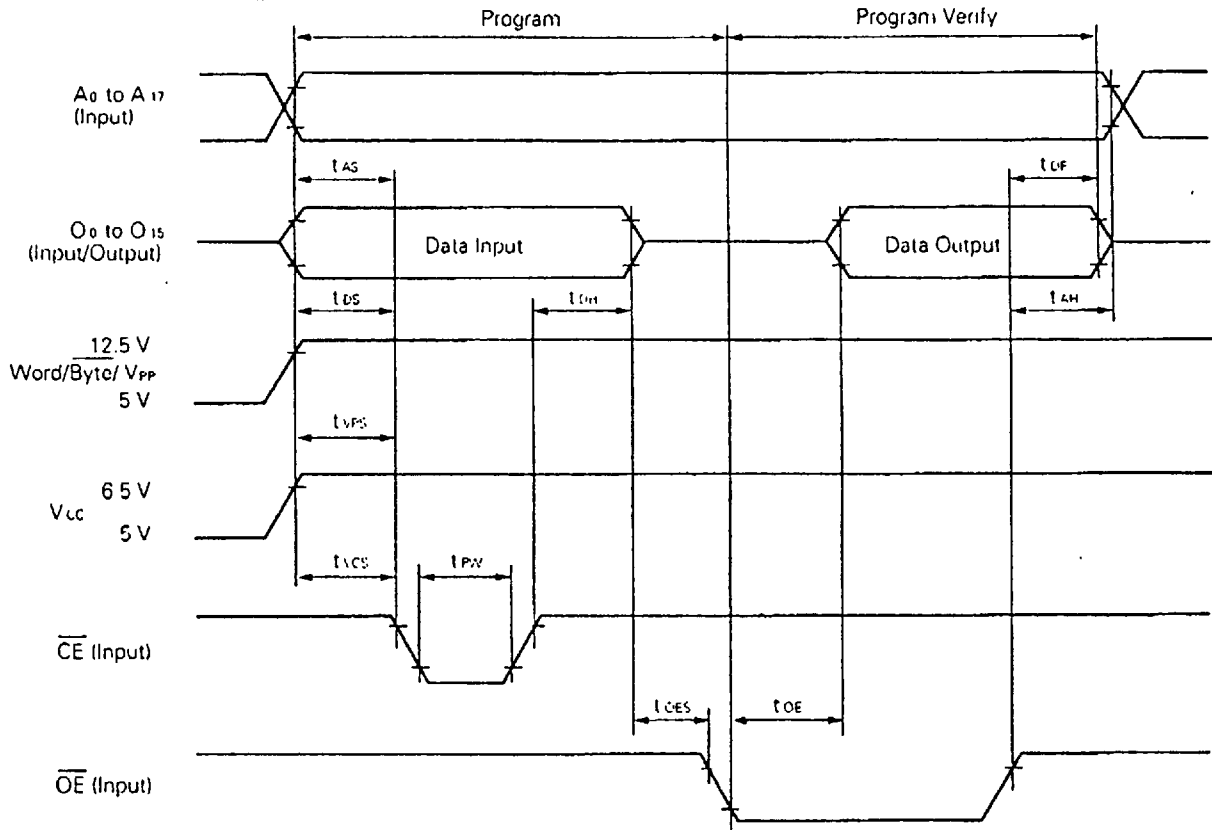
DC CHARACTERISTICS ($T_a = 25 \pm 5 \text{ }^\circ\text{C}$, $V_{CC} = 6.5 \pm 0.25 \text{ V}$, $\text{Word}/\overline{\text{Byte}}/V_{PP} = 12.5 \pm 0.3 \text{ V}$)

PARAMETER	SYMBOL	MIN.	TYP.	MAX.	UNIT	TEST CONDITION
Input High Voltage	V_{IH}	2.4		$V_{CC} + 0.3$	V	
Input Low Voltage	V_{IL}	-0.3		0.8	V	
Input Leakage Current	I_{LI}	-10		10	μA	$V_{IH} = 0 \text{ to } V_{CC}$
Output High Voltage	V_{OH}	2.4			V	$I_{OH} = -400 \mu\text{A}$
Output Low Voltage	V_{OL}			0.45	V	$I_{OL} = 2.1 \text{ mA}$
V_{CC} Current	I_{CC}			50	mA	
Word/ $\overline{\text{Byte}}/V_{PP}$ Current	I_{PP}			50	mA	$\overline{\text{CE}} = V_{IL}, \overline{\text{OE}} = V_{IH}$

AC CHARACTERISTICS ($T_a = 25 \pm 5 \text{ }^\circ\text{C}$, $V_{CC} = 6.5 \pm 0.25 \text{ V}$, $\text{Word}/\overline{\text{Byte}}/V_{PP} = 12.5 \pm 0.3 \text{ V}$)

PARAMETER	SYMBOL	MIN.	TYP.	MAX.	UNIT	TEST CONDITION
Address Setup Time	t_{AS}	2			μs	
$\overline{\text{OE}}$ Setup Time	t_{OES}	2			μs	
Data Setup Time	t_{DS}	2			μs	
Address Hold Time	t_{AH}	2			μs	
Data Hold Time	t_{DH}	2			μs	
$\overline{\text{OE}}$ High to Output Float	t_{OF}	0		130	ns	
Word/ $\overline{\text{Byte}}/V_{PP}$ Setup Time	t_{VPS}	2			μs	
V_{CC} Setup Time	t_{VCS}	2			μs	
Program Pulse Width	t_{PW}	0.095	0.1	0.105	ms	
$\overline{\text{OE}}$ to Output Delay	t_{OE}			150	ns	

Programming Mode Timing



- Notes:
- (1) V_{CC} must be applied simultaneously or before Word/Byte/V_{PP} and removed simultaneously or after Word/Byte/V_{PP}.
 - (2) Word/Byte/V_{PP} must not be greater than +13.5 V including overshoot.
 - (3) Removing and reinserting the device while a voltage of 12.5 V is applied to pin Word/Byte/V_{PP} may affect the device reliability.

3. ERASURE

Programmed data on the μ PD27C4000DZ can be erased by exposing it to light with a wavelength shorter than 400 nm. Exposure to direct sunlight or fluorescent light could also erase the data. Consequently, mask the window to prevent unintentional erasure by ultraviolet rays.

Data is typically erased by 254 nm ultraviolet rays. A lighting level of 15 w · s/cm² (min.) is required to completely erase written data (ultraviolet ray intensity X exposure time).

It takes approximately 20 minutes to completely erase with an ultraviolet lamp rated at 12 mW/cm². Place the μ PD27C4000DZ within 2.5 cm from the lamp tubes. Remove any filter on the lamp.

4. SCREENING OF ONE TIME PROM

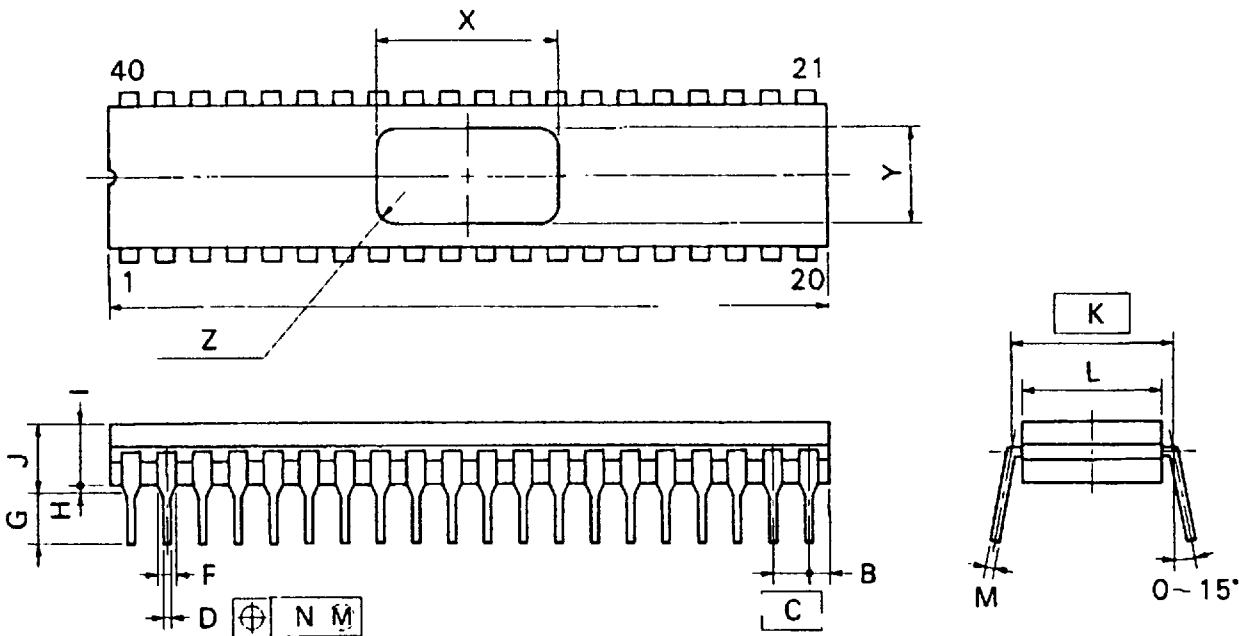
Initial-data-retention failure in the ONE TIME PROM cannot be eliminated before shipment to the customers due to the characteristic of this product itself.

In case of expecting reliability equivalent to conventional EPROM, NEC recommends the following screening at customer's site for the elimination of both programming failure and data retention failure.

- (1) After programming data, verify data and reject failures.
- (2) Perform high-temperature storage at 125 °C for 24 ± 4 hours.
- (3) Verify data again and reject failures.

PACKAGE INFORMATION

40 PIN CERAMIC DIP (CERDIP) (WINDOW) (600mil)



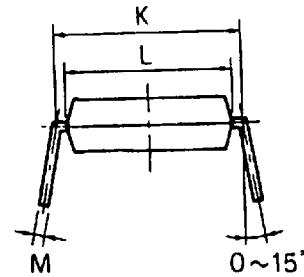
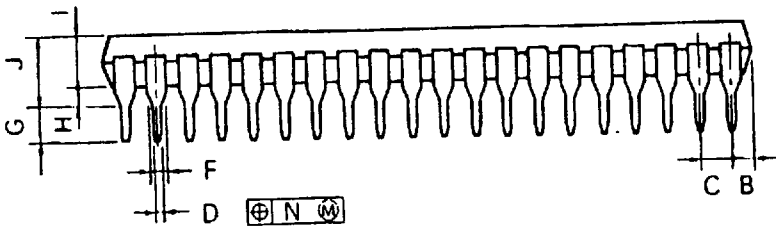
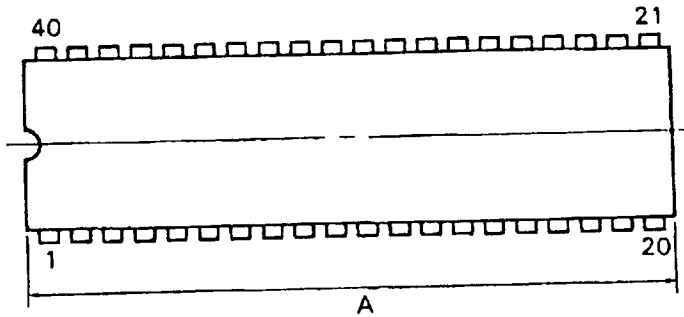
P40DW 100-600WA2

NOTES

- 1) Each lead centerline is located within 0.25 mm (0.01 inch) of its true position (T.P.) at maximum material condition.
- 2) Item "K" to center of leads when formed parallel.

ITEM	MILLIMETERS	INCHES
A	53.34 MAX.	2.100 MAX.
B	2.54 MAX.	0.100 MAX.
C	2.54 (T.P.)	0.100 (T.P.)
D	0.50 ^{+0.10}	0.020 ^{+0.004}
F	1.2 MIN.	0.047 MIN.
G	3.5 ^{+0.3}	0.138 ^{+0.012}
H	0.51 MIN.	0.020 MIN.
I	3.80	0.150
J	5.08 MAX.	0.200 MAX.
K	15.24 (T.P.)	0.600 (T.P.)
L	14.66	0.577
M	0.25 ^{+0.05}	0.010 ^{+0.003}
N	0.25	0.01
X	12.5	0.492
Y	8.5	0.335
Z	4 R2.0	4-R0.079

40PIN PLASTIC DIP (600 mil)



P40C-100-600A

NOTES

- 1) Each lead centerline is located within 0.25 mm (0.01 inch) of its true position (T.P.) at maximum material condition.
- 2) Item "K" to center of leads when formed parallel.

ITEM	MILLIMETERS	INCHES
A	53.34 MAX.	2.100 MAX.
B	2.54 MAX.	0.100 MAX.
C	2.54 (T.P.)	0.100 (T.P.)
D	0.50 ^{0.10}	0.020 ^{0.004} / _{0.005}
F	1.2 MIN.	0.047 MIN.
G	3.6 ^{0.3}	0.142 ^{0.012}
H	0.51 MIN.	0.020 MIN.
I	4.31 MAX.	0.170 MAX.
J	5.72 MAX.	0.226 MAX.
K	15.24 (T.P.)	0.600 (T.P.)
L	13.2	0.520
M	0.25 ^{0.10} / _{0.05}	0.010 ^{0.004} / _{0.005}
N	0.25	0.01

RECOMMENDED SOLDERING CONDITIONS

The following conditions (see table below) must be met when soldering this product. Please consult with our sales offices in case other soldering process is used, or in case soldering is done under different conditions.

TYPES OF THROUGH HOLE MOUNT DEVICE

[μ PD27C4000DZ, 27C4000CZ]

Soldering process	Soldering conditions	Symbol
Wave soldering	Solder temperature : 260 °C or below, Flow time : 10 seconds or below	WS60-00

[MEMO]

The information in this document is subject to change without notice.

No part of this document may be copied or reproduced in any form or by any means without the prior written consent of NEC Corporation. NEC Corporation assumes no responsibility for any errors which may appear in this document.

NEC Corporation does not assume any liability for infringement of patents, copyrights or other intellectual property rights of third parties by or arising from use of a device described herein or any other liability arising from use of such device. No license, either express, implied or otherwise, is granted under any patents, copyrights or other intellectual property rights of NEC Corporation or others.

The devices listed in this document are not suitable for use in the field where very high reliability is required including, but not limited to, aerospace equipment, submarine cables, nuclear reactor control systems and life support systems. If customers intend to use NEC devices for above applications or those intend to use "Standard" quality grade NEC devices for the application not intended by NEC, please contact our sales people in advance.

Application examples recommended by NEC Corporation

Standard: Data processing and office equipment, Communication equipment (terminal, mobile), Test and Measurement equipment, Audio and Video equipment, Other consumer products, Industrial robots, etc.

Special: Automotive and Transportation equipment, Communication equipment (trunk line), Train and Traffic control devices, Burning control systems, antidisaster systems, anticrime systems etc