

## Metal Hood FRC5 Series Shielded Type for EMI Suppression



The FRCE series hood is used for the FRC5 series socket connectors.

It is made of aluminum alloy. It provides complete EMI protection to the connectors.

- Applicable connectors : No. of contacts 26, 34, 50

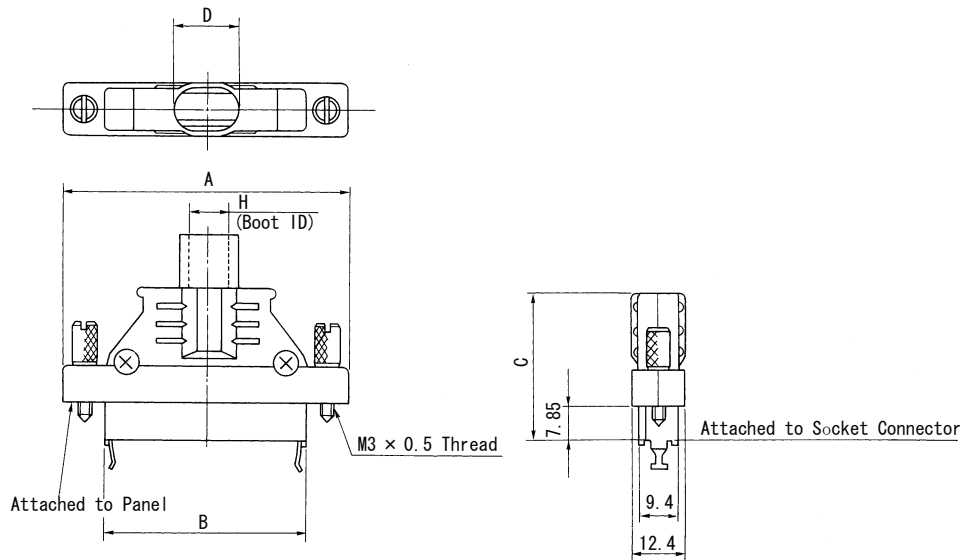
FRC5-A□□26-□□TON, FRC5-A□□34-□□TON,  
FRC5-A□□50-□□T□N

- The mating connector of the FRCE series socket with hood is a header without a lock.

FRC5-C26□□□T-ON, FRC5-C34□□□T-ON,  
FRC5-C50□□□T-□N

## MATERIAL/FINISH

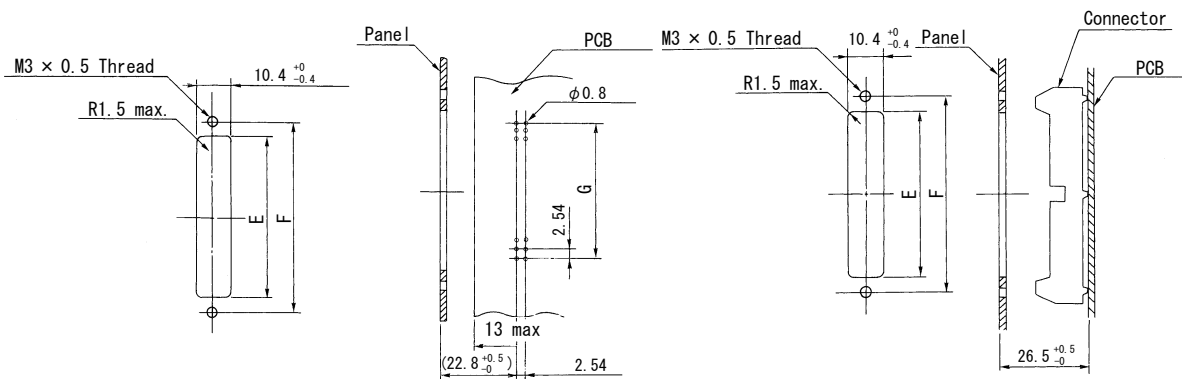
Hood	Aluminum cast/Non-conductive paint finish (color : gray)
Lock screws	Steel/Nickel plating
Cable clamp	Steel/Nickel plating
Clamp clip	Steel/Nickel plating



D  
FRCE

P/N	A	B	C	D	E	F	G	H
FRCE-26H1	57.6	37.59	35	10 × 13	38.60	47.60	30.48	10.5
FRCE-34H1	67.76	47.75	35	10 × 15	48.76	57.76	40.64	11.0
FRCE-50H1	88.08	68.07	40	10 × 18	69.08	78.08	60.96	13.0

## Panel and PCB Mounting Dimensions



Right angle header

Straight header