

This document was generated on 03/16/2010

PLEASE CHECK WWW.MOLEX.COM FOR LATEST PART INFORMATION

Part Number: **0191890004**
Status: **Active**
Description: Krimptite™ Butt Splice for 18-22 AWG Wire

Documents:

[Drawing \(PDF\)](#) [RoHS Certificate of Compliance \(PDF\)](#)

Agency Certification

CSA LR18689
 UL E32244

General

Product Family Splices
 Series 19189
 Crimp Quality Equipment Yes
 Mil-Spec N/A
 Product Name Butt, Krimptite™

Physical

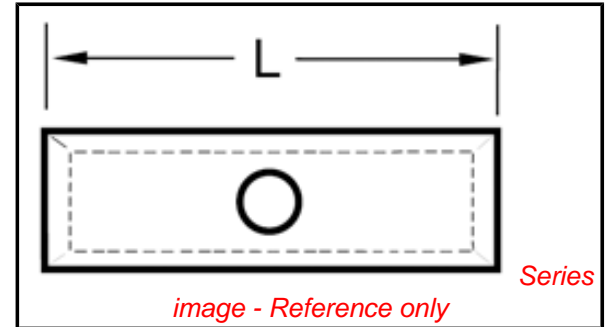
Barrel Type Closed
 Insulation None
 Material - Metal Copper
 Packaging Type Adhesive Tape on Reel
 Wire Size AWG 18, 20, 22

Material Info

Old Part Number A-145T

Reference - Drawing Numbers

Sales Drawing SD-19189-008



EU RoHS

**ELV and RoHS
Compliant**

REACH SVHC

Contains SVHC: No

Halogen-Free

Status

Halogen-Free

China RoHS



**Need more information on product
environmental compliance?**

Email productcompliance@molex.com
 For a multiple part number RoHS Certificate of
 Compliance, [click here](#)

Please visit the [Contact Us](#) section for any
 non-product compliance questions.

Search Parts in this Series

19189Series

Application Tooling | FAQ

*Tooling specifications and manuals are
 found by selecting the products below.
 Crimp Height Specifications are then
 contained in the Application Tooling
 Specification document.*

Global

Description	Product #
ATP Perishable Tool Kit used in ATP presses that process product on tape	<u>0190270026</u>
Mini-Mac™ Applicator	<u>0638854500</u>

This document was generated on 03/16/2010

PLEASE CHECK WWW.MOLEX.COM FOR LATEST PART INFORMATION

6

5

4

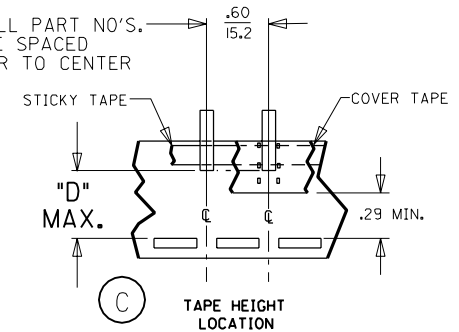
3

2

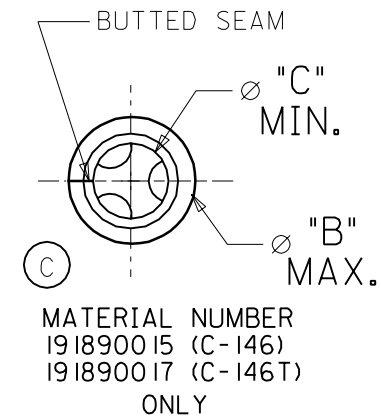
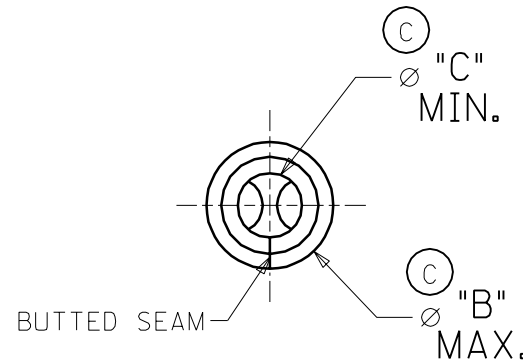
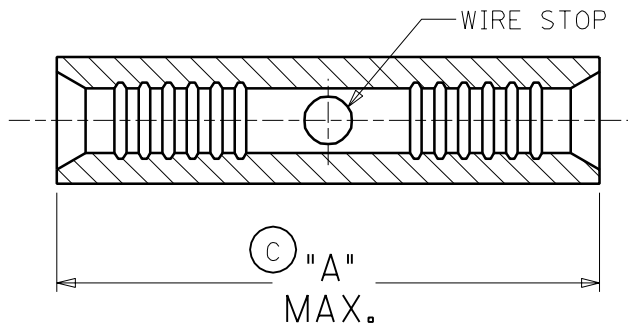
SD-19189-008

MATERIAL NO.	ENG. NO.	WIRE AWG MARKING	DESCRIPTION	DIM. "A"	DIM. "B" OD	DIM. "C" ID	DIM. "D"
191890002	A-145	22-18	LOOSE PIECE	.580 (14.70)	.131 (3.33)	.055 (1.40)	-----
191890008	B-131	16-14	LOOSE PIECE	.580 (14.70)	.163 (4.14)	.078 (1.98)	-----
191890015	C-146	12-10	LOOSE PIECE	.585 (14.90)	.225 (5.71)	.124 (3.15)	-----
191890004	A-145T	22-18	TAPE MOUNTED	.580 (14.70)	.131 (3.33)	.055 (1.40)	.610 (15.49)
191890010	B-131T	16-14	TAPE MOUNTED	.580 (14.70)	.163 (4.14)	.078 (1.98)	.655 (16.64)
191890017	C-146T	12-10	TAPE MOUNTED	.585 (14.90)	.225 (5.71)	.124 (3.15)	.655 (16.64)

TYP. ALL PART NO'S.
SINGLE SPACED
CENTER TO CENTER



C



NOTE(S):

- MATERIAL: COPPER
- PLATING: ELECTRO-TIN

WIRE SIZE: 22-18 AWG.
0.25-1.3 MM²

WIRE SIZE: 16-14 AWG.
1.0-2.6 MM²

WIRE SIZE: 12-10 AWG.
4.0-6.0 MM²

WIRE AWG
MARKING
LOCATION

SALES DRAWING

DIM. CHANGES & UPDATES		QUALITY SYMBOLS	GENERAL TOLERANCES: (UNLESS SPECIFIED)		SCALE	DESIGN UNITS	THIRD ANGLE PROJECTION	DIMENSIONS:		SHT	REV
EC NO.	ETC		mm	INCH	5:1	mm		INCH	mm	INCH	mm
2003-0167								<input type="checkbox"/> mm	<input checked="" type="checkbox"/> INCH		
DRWN: DLM	03/01/24	MAJOR	4 PLACES	±0.----	±.----	DRAWN BY & DATE	TITLE: BUTT CONNECTOR KRIMPTITE 22-18, 16-14, & 12-10 AWG				
CHK: SB	03/01/24	CRITICAL	3 PLACES	±0.---	±.----	CHECKED BY & DATE					
APPR: RWD	03/01/24		2 PLACES	±0.---	±.----	APPROVED BY & DATE	MOLEX INCORPORATED				
			1 PLACE	±0.---	±.----	RWD 03/01/24					
REV			ANGULAR: ± °		CAD FILENAME	MATERIAL NO.	DRAWING NO.	SHEET NO.			
C			DRAFT WHERE APPLICABLE MUST REMAIN WITHIN DIMENSIONS		SD19189008.DGN	(SEE CHART)	SD-19189-008	1 OF 1			

LBORD.DGN REV A
96/06/12 LEVEL 3

5

4

3

2

1

THIS DRAWING CONTAINS INFORMATION THAT IS PROPRIETARY TO MOLEX INCORPORATED AND SHOULD NOT BE USED WITHOUT WRITTEN PERMISSION.

www.DataSheet4U.com