

## FEATURES

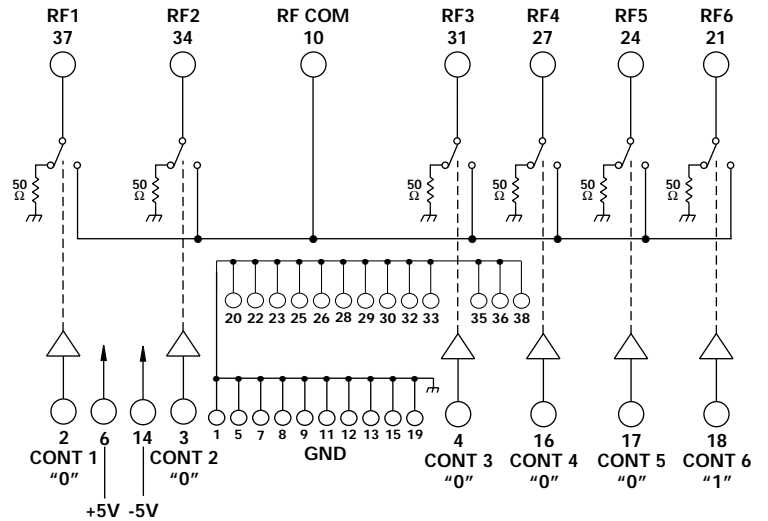
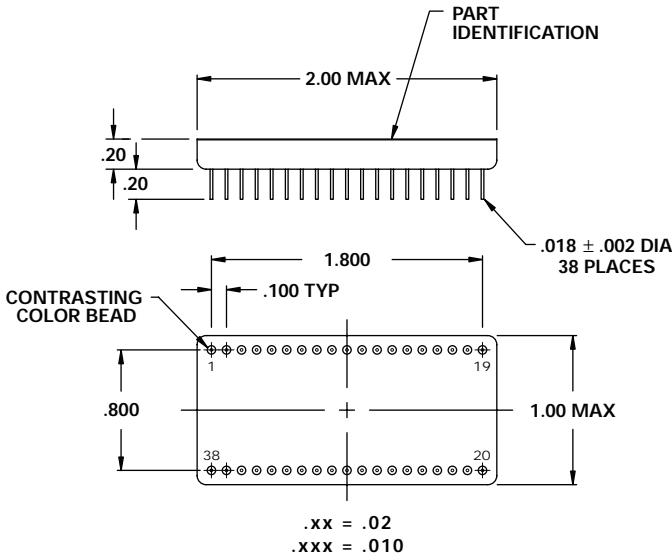
- 100 - 600 MHz
- 0.6 dB Insertion Loss
- Handles +25 dBm
- 250 nSec Switching Speed
- Non-Reflective
- TTL Driver
- 38 Pin DIP



MODEL NO.  
DS0506

PIN Diode SP6T

SP6T



## GUARANTEED PERFORMANCE

Parameter	Min	Typ	Max	Units	Conditions
Operating Frequency	100		600	MHz	
DC Current		25 30	35 45	mA	At +5 VDC Supply At -5 VDC Supply
Control Type		TTL			6 Line Logic "0" = Off Logic "1" = On
Control Current			40 -400	μA	V <sub>IH</sub> = +2.7 V V <sub>IL</sub> = +0.5 V
Insertion Loss		0.6	1.0	dB	
Isolation	50	56		dB	
VSWR		1.2/1	1.50/1		
Impedance		50		OHMS	
Switching Speed		0.25	1	μSEC	50% TTL to 90% / 10% RF
Transition (Rise/Fall) Time		0.1		μSEC	10% / 90% or 90% / 10% RF
Switching (Video) Transients		700		mV	Peak Value
Intercept Points		2nd 3rd	+90 +50	dBm	60 MHz / 160 MHz 130 MHz / 160 MHz
RF Power		Operate No Damage	+25 +30	dBm	0.1 dB Compression
Operating Temperature	-55	+25	+125	°C	TA

