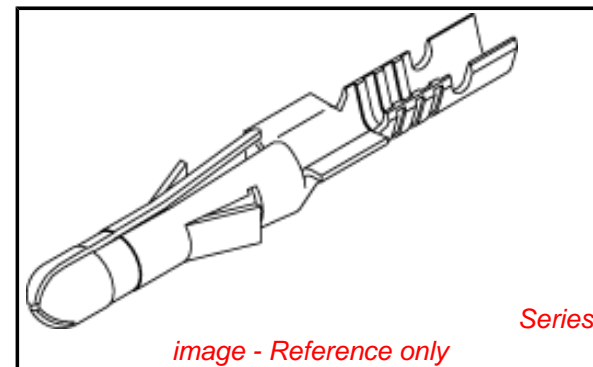


**PLEASE CHECK WWW.MOLEX.COM FOR LATEST PART INFORMATION**

**Part Number:** **0039000324**  
**Status:** **Active**  
**Overview:** standard\_093  
**Description:** 2.36mm (.093") Diameter, Standard .093" Pin and Socket Crimp Terminal, Series 1434, Male, with Tin (Sn) over Copper Plated Brass Contact, 24-28 AWG, Bag

**Documents:**

<a href="#">Drawing (PDF)</a>	<a href="#">Product Specification PS-1434-004 (PDF)</a>
<a href="#">Product Specification PS-1434-003 (PDF)</a>	<a href="#">RoHS Certificate of Compliance (PDF)</a>



**General**

Product Family	Crimp Terminals
Series	<u>1434</u>
Crimp Quality Equipment	Yes
Overview	<u>standard_093</u>
Product Name	Standard .093"
<b>Physical</b>	
Gender	Male
Material - Metal	Brass
Material - Plating Mating	Tin
Material - Plating Termination	Tin
Packaging Type	Bag
Plating min: Mating (µin)	35
Plating min: Mating (µm)	0.88
Plating min: Termination (µin)	35
Plating min: Termination (µm)	0.88
Termination Interface: Style	Crimp or Compression
Wire Insulation Diameter	0.80-1.50mm (.031-.059")
Wire Size AWG	24, 26, 28
Wire Size mm <sup>2</sup>	N/A

**Material Info**

Old Part Number 1434TL

**Reference - Drawing Numbers**

Product Specification	PS-1434-003, PS-1434-004
Sales Drawing	SD-1434*

<b>EU RoHS</b> <b>ELV and RoHS</b> <b>Compliant</b> <b>REACH SVHC</b> <b>Contains SVHC: No</b> <b>Halogen-Free</b> <b>Status</b> <b>Halogen-Free</b>	<b>China RoHS</b> 
---	--

**Need more information on product environmental compliance?**

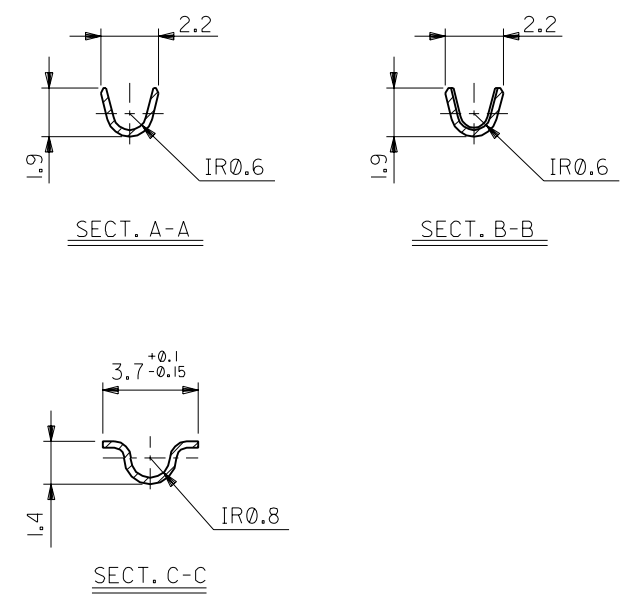
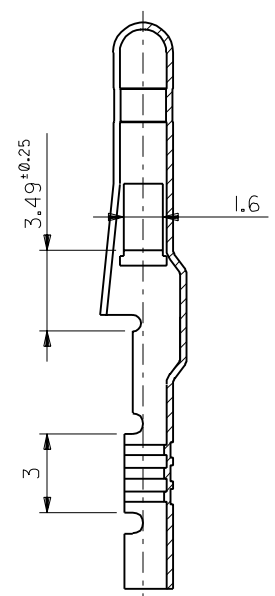
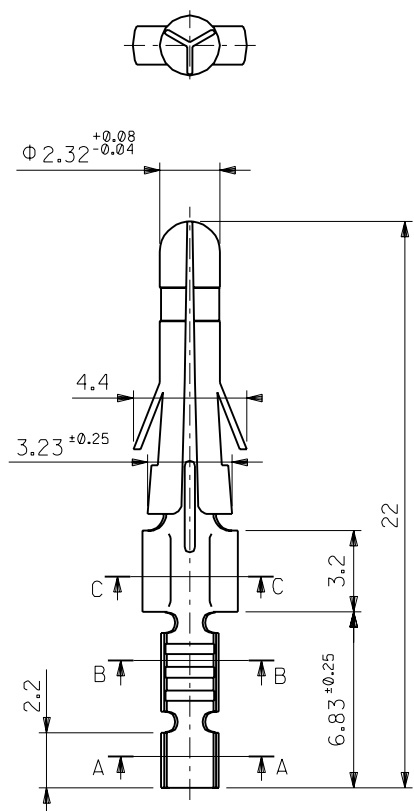
Email [productcompliance@molex.com](mailto:productcompliance@molex.com)  
 For a multiple part number RoHS Certificate of Compliance, [click here](#)

Please visit the [Contact Us](#) section for any non-product compliance questions.

**Search Parts in this Series**  
1434Series

**Application Tooling | FAQ**  
*Tooling specifications and manuals are found by selecting the products below. Crimp Height Specifications are then contained in the Application Tooling Specification document.*

<b>Global</b>	
<b>Description</b>	<b>Product #</b>
HAND CRIMP TOOL	<a href="#">0638117100</a>
Extraction Tool	<a href="#">0011030006</a>
<b>Japan</b>	
<b>Description</b>	<b>Product #</b>
Hand Crimp Tool	<a href="#">0011260008</a>
JHTR2262	



注記 NOTES:  
 1. 一般公差 :  $\pm 0.4$   
 GENERAL TOLERANCES :  $\pm 0.4$

ニッケル (2 $\mu$ m MIN.) 下地 金 (0.35 $\mu$ m MIN.) GOLD (0.35 $\mu$ m MIN.) OVER NICKEL (2 $\mu$ m MIN.)	39-00-0326	I434GL	バラ端子 LOOSE
銅 (0.5 $\mu$ m MIN.) 下地 錫 (0.9 $\mu$ m MIN.) TIN (0.9 $\mu$ m MIN.) OVER COPPER (0.5 $\mu$ m MIN.)	39-00-0324	I434TL	バラ端子 LOOSE
メッキ PLATING	39-00-0323	I434T	連鎖状端子 CHAIN
	EDP.NO.	ENG.NO.	形状 FORM

材料 MATERIAL 黄銅 0.264t BRASS	MOLEX-JAPAN CO.,LTD. 日本モレックス株式会社	
仕上げ FINISH	REVISE ONLY ON CAD SYSTEM	
適用電線範囲 WIRE RANGE AWG#24-#28	TITLE 名称	
被覆外径 INS. RANGE $\Phi 0.8 \sim 1.5$	.093 DIA. MALE TERM.	
DRAWN BY '93/06/18 H.HASEGAWA	CHK'D BY '93/06/18 H.HIRAMOTO	DWG. NO.
APP'D BY '93/06/18 M.FUKUSHIMA	尺度 SCALE 5 : 1	REV
記号 LTR	変更内容 REVISION RECORD	日付 DATE
一般公差 GENERAL TOLERANCES	角度 ANGLE	30 以上 OVER
		30 未満 UNDER
		10 以上 OVER
		10 未満 UNDER