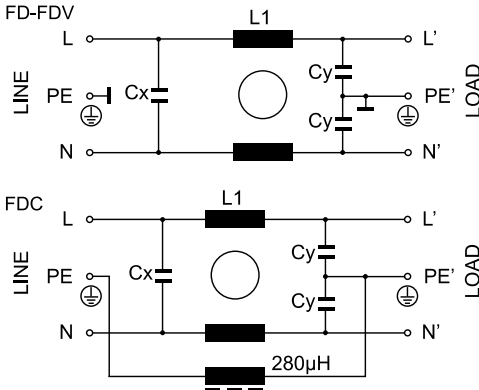


FD/FDC/FDV

IEC Connector Filter

www.DataSheet4U.com

Electrical schematics



RFI Power Line Filters

General Specifications

Maximum operating voltage: 250Vac.
 Operating frequency: DC - 60Hz.
 Hipot test voltage: L/N->PE: 1800Vac 2s.
 L->N: 1700 Vdc 2s.

Application class:
 HPF Acc. TO DIN 40040
 (-25°C/+85°C/95% RH, 30d).
 Flammability class: UL 94 V2.

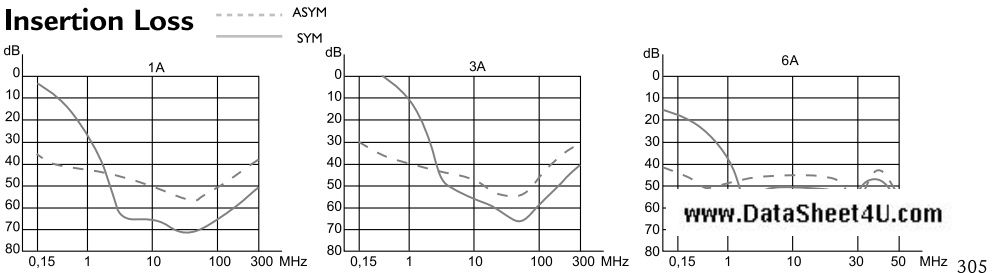
IEC connector filter

IEC connector filter. General purpose.
 FD: IEC connector filter.
 FDC: With earth inductor. High immunity.
 FDV: With voltage protection.

Product List

TYPE	I	L1	CX	CY	HOUSING	L.CURRENT	CONNECTION	WEIGHT ±g
FD-1X	1 Amp	2 mH	10 nF	2,2 nF	242	0,21mA	AWG18 WIRE	62
FD-1Z					241		FASTON 6,3mm	50
FD-3X	3 Amp	1,3 mH	10 nF	2,2 nF	242	0,21mA	AWG18 WIRE	52
FD-3Z					241		FASTON 6,3mm	51
FD-6X	6 Amp	0,8 mH	10 nF	2,2 nF	242	0,21mA	AWG18 WIRE	62
FD-6Z					241		FASTON 6,3mm	55
FDC-1X	1 Amp	2 mH	10 nF	2,2 nF	244	0,21mA	AWG18 WIRE	110
FDC-1Z					243		FASTON 6,3mm	100
FDC-3X	3 Amp	1,3 mH	10 nF	2,2 nF	244	0,21mA	AWG18 WIRE	102
FDC-3Z					243		FASTON 6,3mm	92
FDC-6X	6 Amp	0,8 mH	10 nF	2,2 nF	244	0,21mA	AWG18 WIRE	120
FDC-6Z					243		FASTON 6,3mm	110
FDV-1X	1 Amp	2 mH	10 nF	2,2 nF	244	0,21mA	AWG18 WIRE	110
FDV-1Z					243		FASTON 6,3mm	100
FDV-3X	3 Amp	1,3 mH	10 nF	2,2 nF	244	0,21mA	AWG18 WIRE	102
FDV-3Z					243		FASTON 6,3mm	92
FDV-6X	6 Amp	0,8 mH	10 nF	2,2 nF	244	0,21mA	AWG18 WIRE	120
FDV-6Z					243		FASTON 6,3mm	110

Insertion Loss



www.DataSheet4U.com